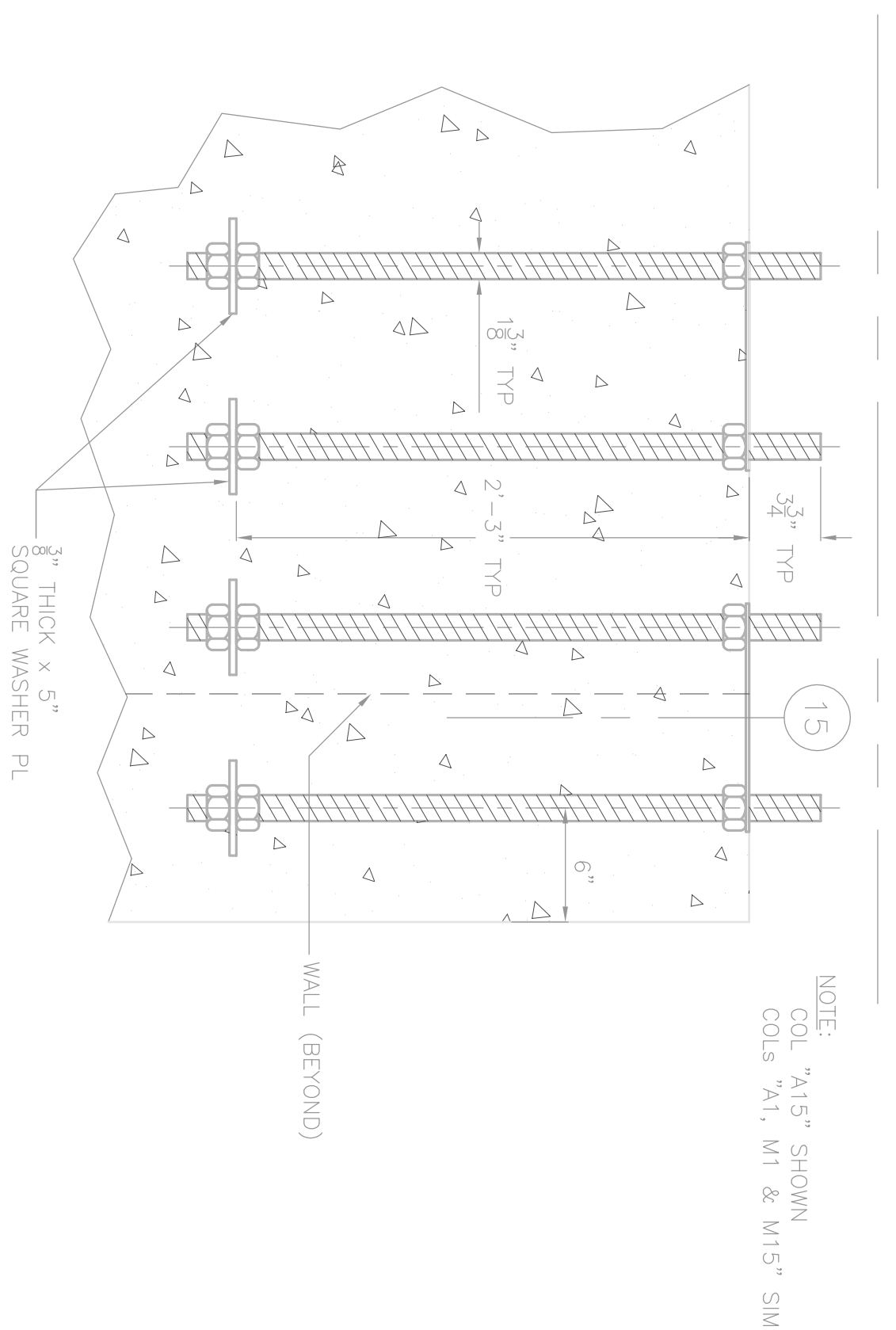
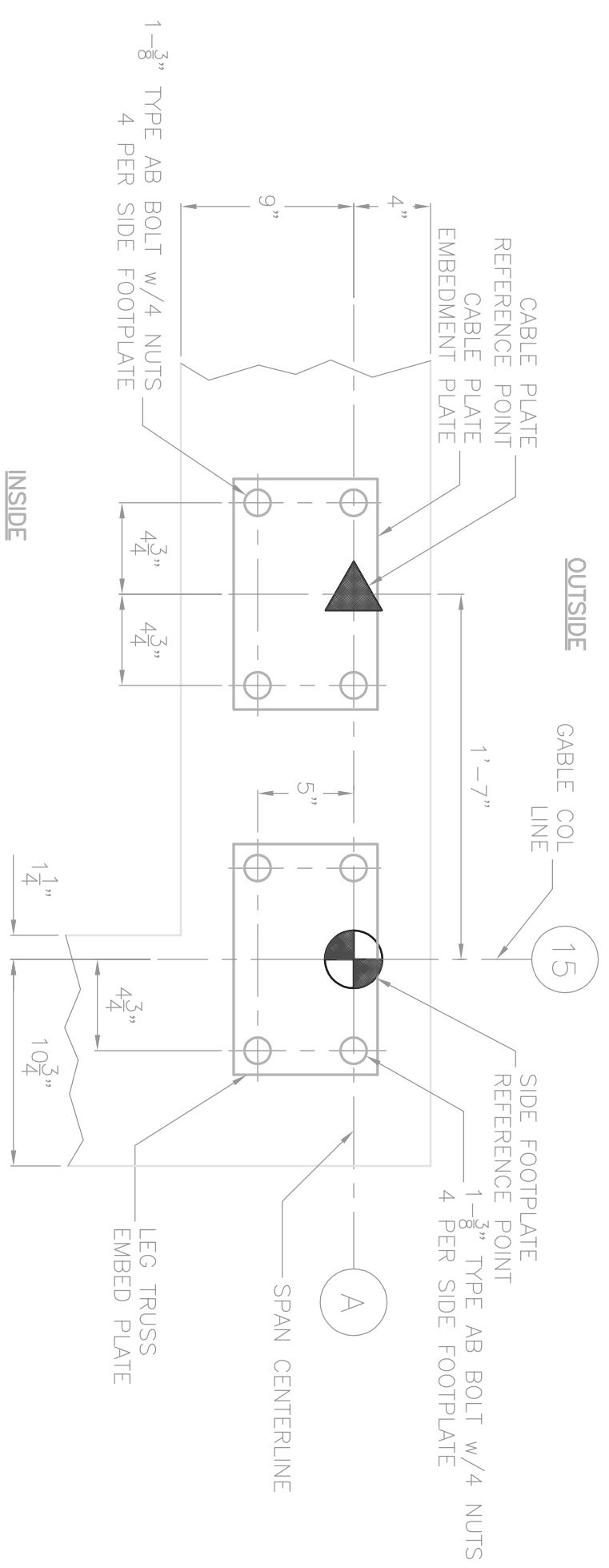
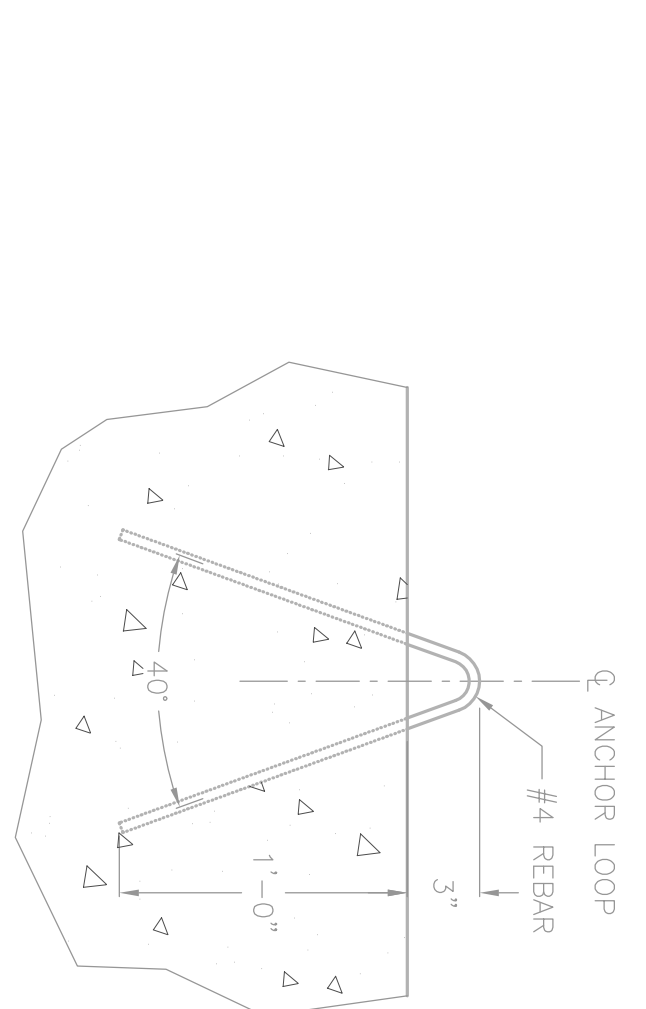


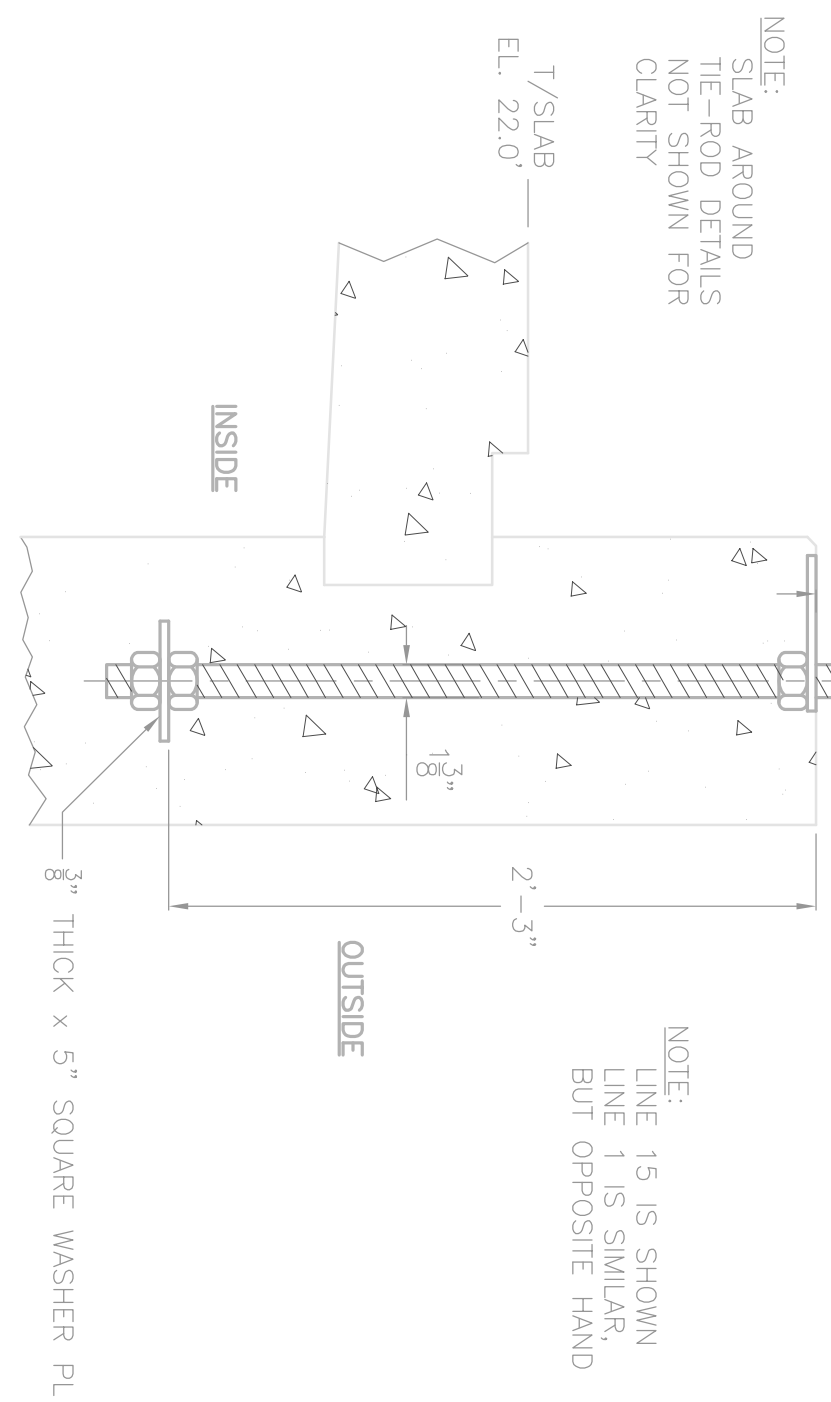
DETAIL ABL
SCALE: 3"=1'-0"
ANCHOR BOLT (TYPE "ABL")



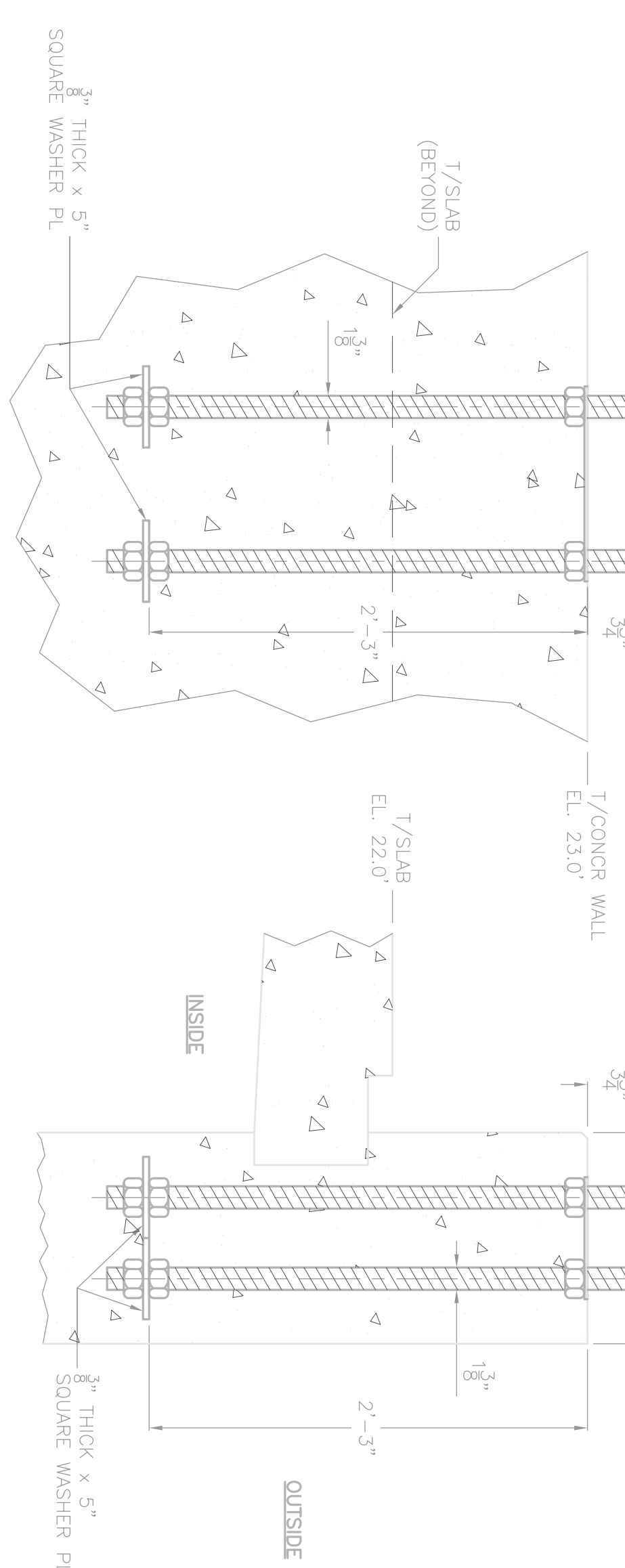
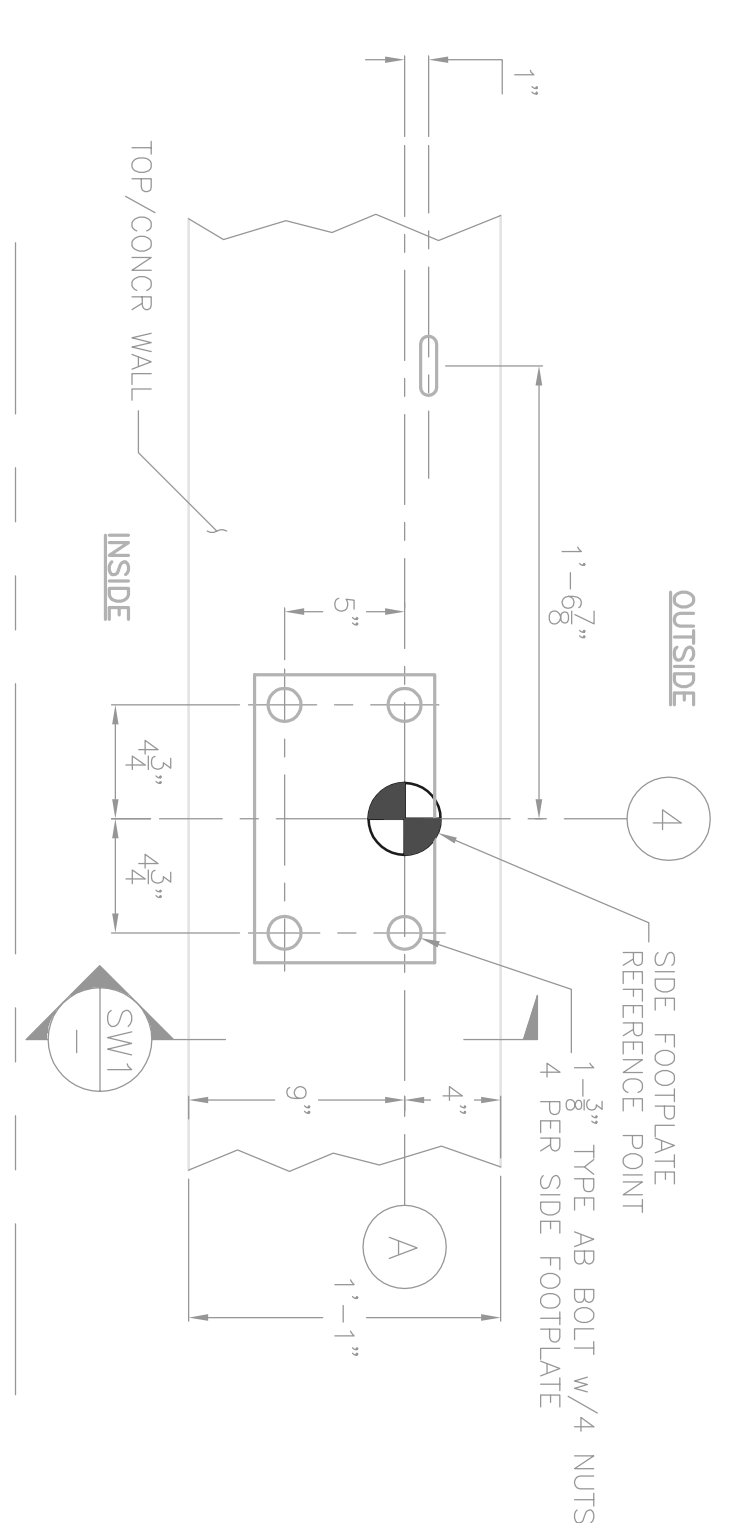
DETAIL CA
SCALE: 1-1/2"=1'-0"
CORNER ANCHORS
(TYP OF 4, COL "A15 SHOWN")
LKG NORTH



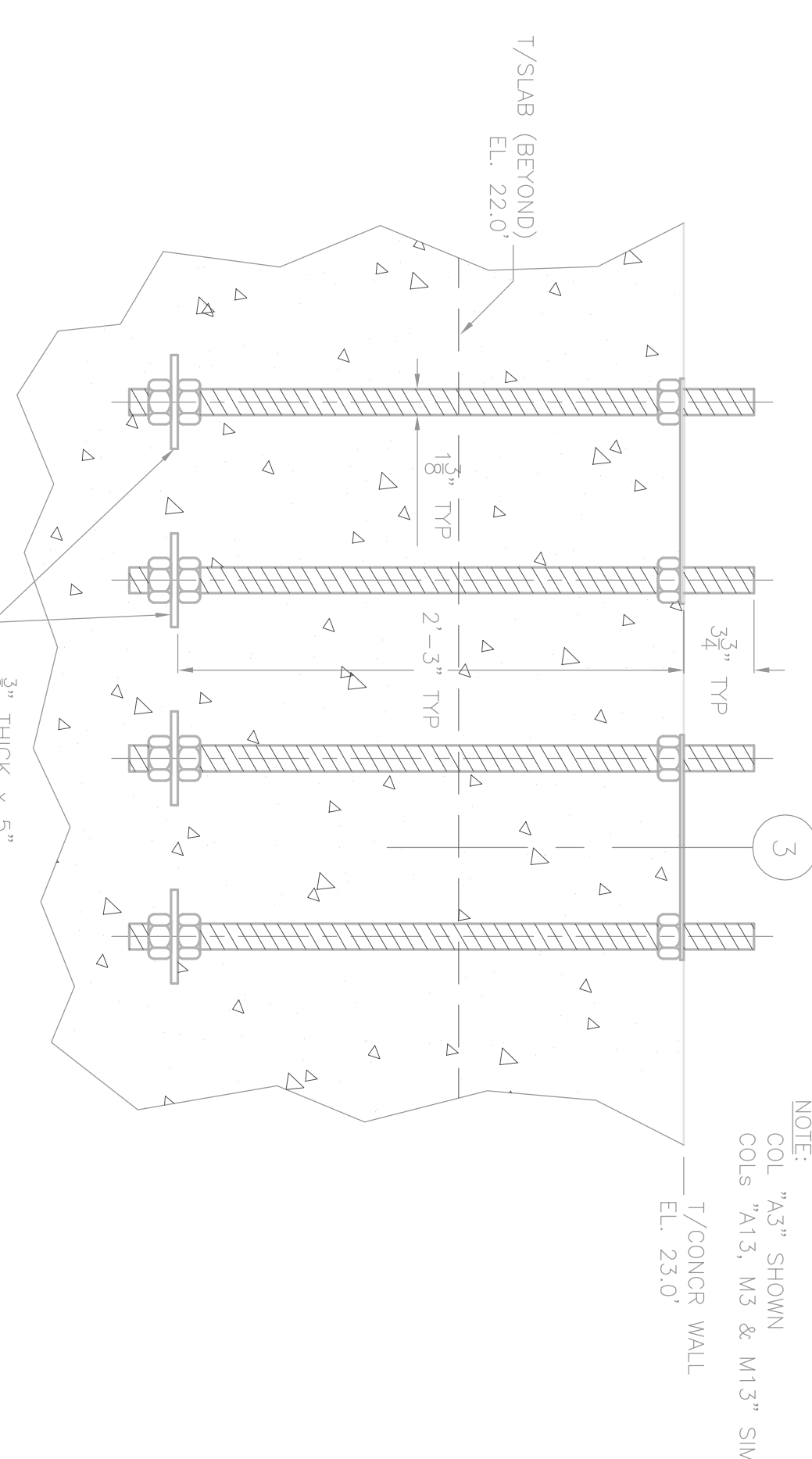
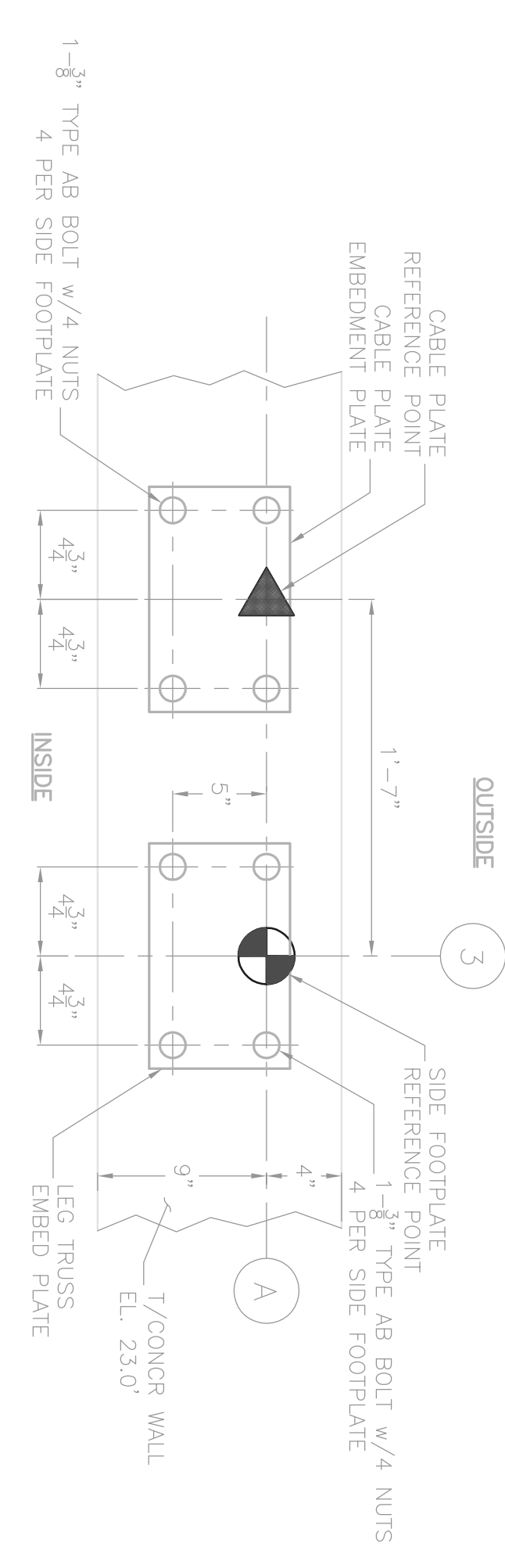
DETAIL FT
SCALE: 3"=1'-0"
FABRIC TENSIONING
ANCHOR LOOP (TYP)



DETAIL CW
SCALE: 1-1/2"=1'-0"
CABLE WALL ANCHORS
(TYP EAST & WEST WALLS)



DETAIL SW
SCALE: 1-1/2"=1'-0"
SIDE WALL ANCHORS
(TYP NORTH & SOUTH WALLS)
(COL "A4" SHOWN)

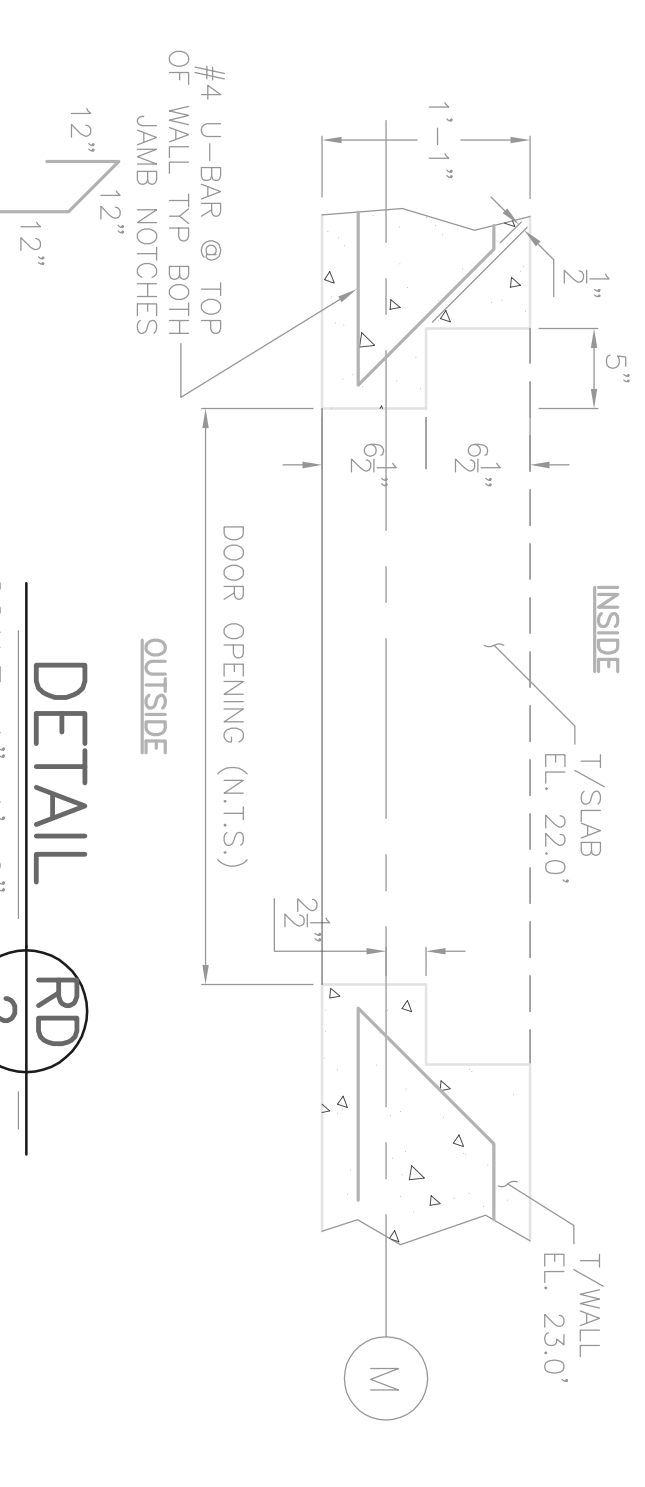


DETAIL SC
SCALE: 1-1/2"=1'-0"
SIDE WALL ANCHOR
W/CABLE PLATES (TYP OF 4)

NOTE:
REBAR SLAB AND
TIE-ROD DETAILS
NOT SHOWN FOR
CLARITY, SEE SHEET X



SECTION SW
SCALE: 1-1/2"=1'-0"
SIDE WALL ANCHORS
(TYP NORTH & SOUTH WALLS)
LKG WEST



DETAIL RD
SCALE: 1"=1'-0"
RAIL DOOR CUT OUT

REF: RUBB PLANS
DWG No 39790,
39906, & 39909

REV	DATE	BY	DESCRIPTION
4	4/27/05	RG	FOR CONSTRUCTION
3	2/21/05	RG	REVISIONS - CLIENT REQUEST
2	2/16/05	RG	CONSTRUCTION BID SET
1	1/14/05	RG	PERMIT PLAN

CANBRO CORPORATION
RUBB BUILDING VII

SCALE	AS SHOWN	SHEET
DATE	8/24/04	S8 OF 8
DRAWN	BDM	JOB
DESIGN	RG	407

GAGNON ENGINEERING INC.
Structural Consultants
198 MAIN STREET
GIRIHAN, MAINE 04038