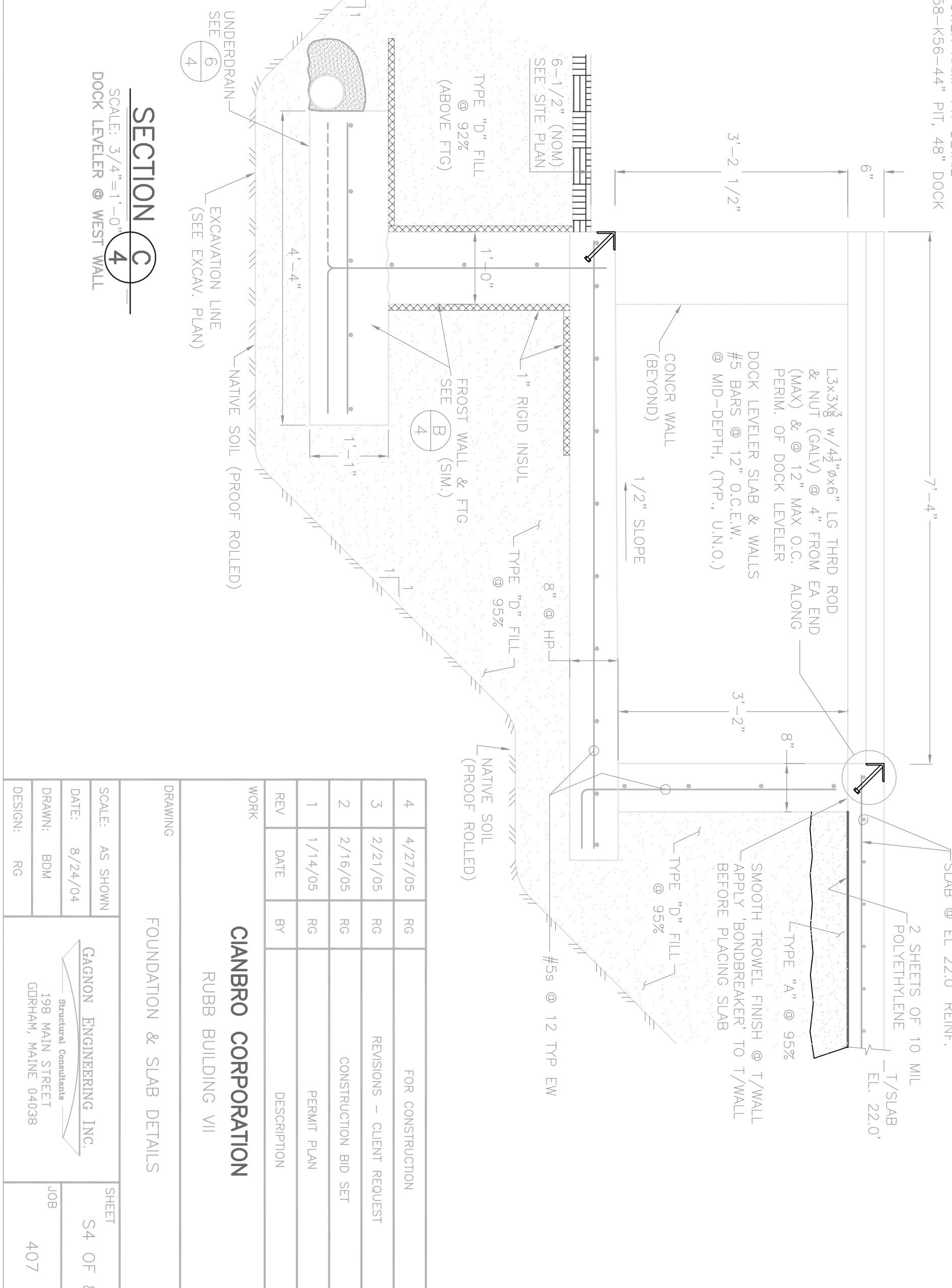
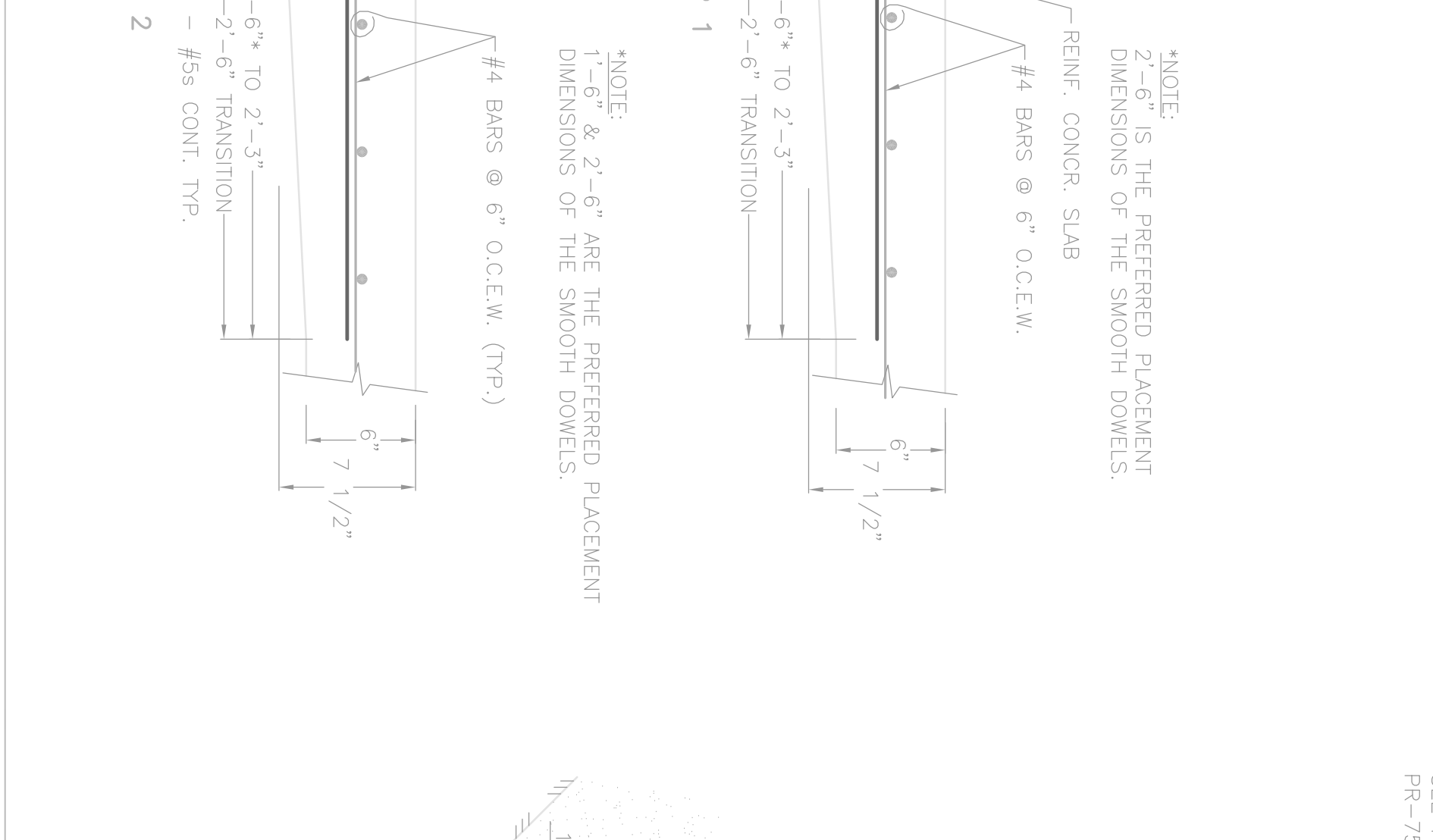
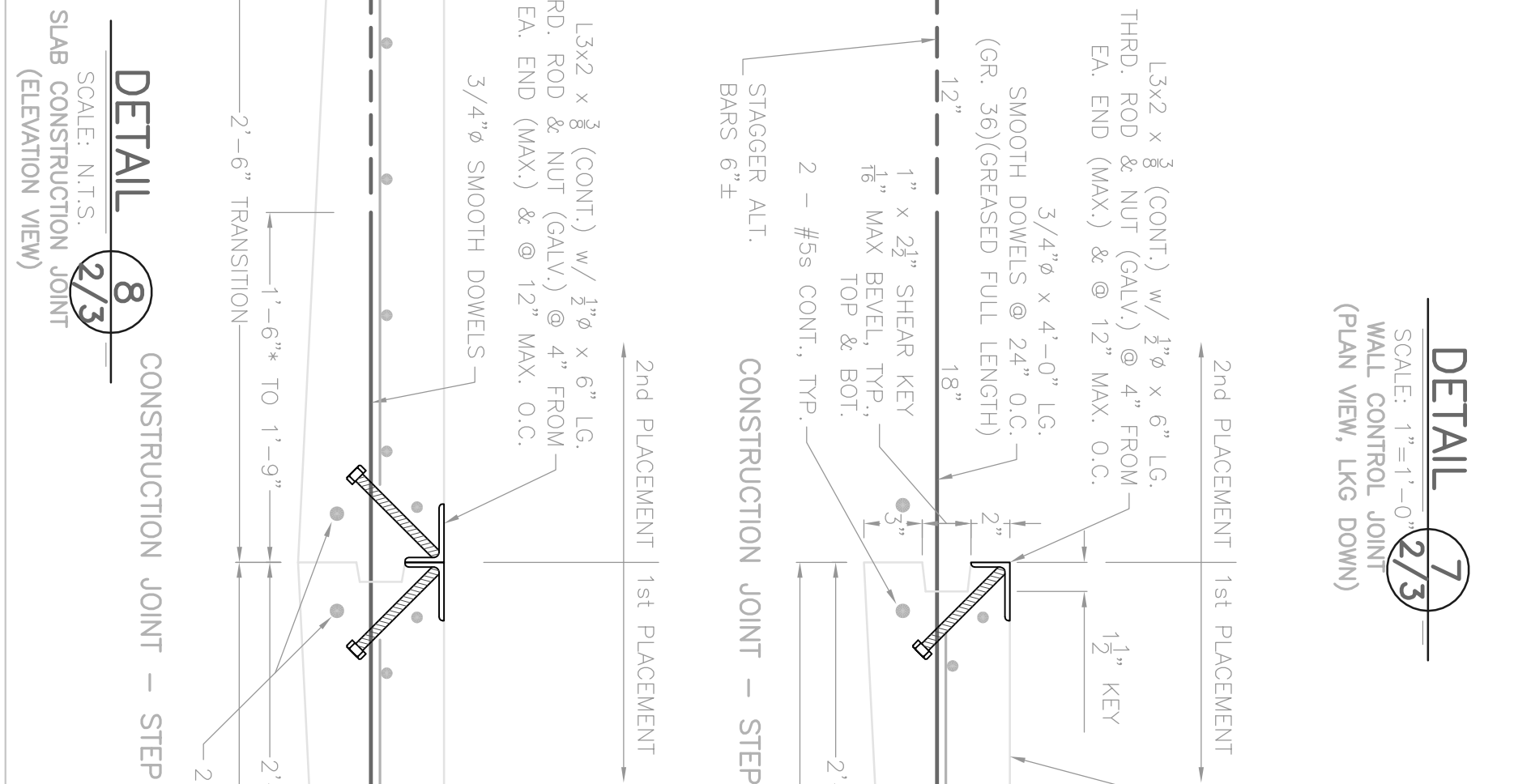
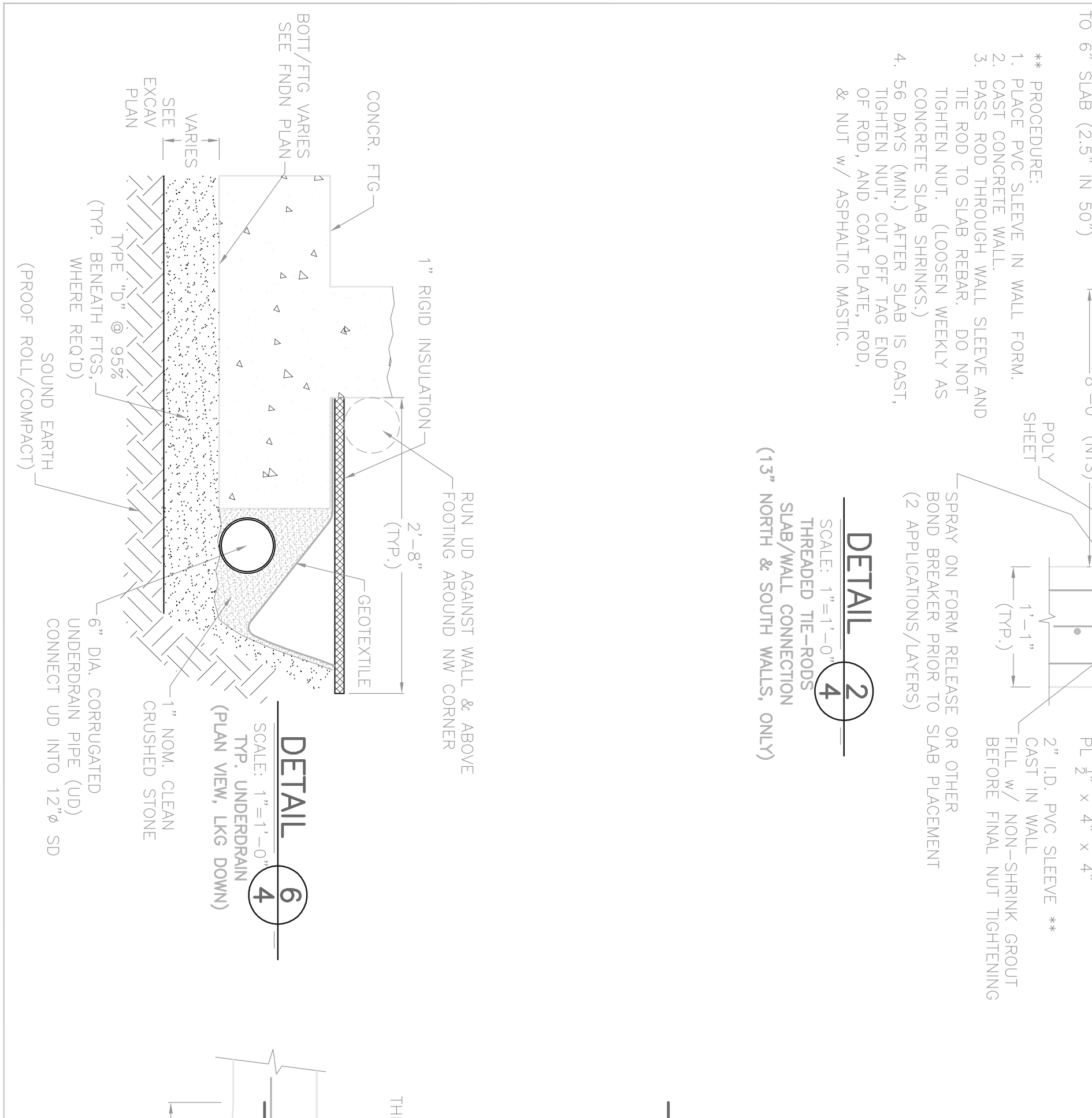


PLAN DESIGNATION	MDOT DESIGNATION	SPECIFICATION	SPECIAL NOTES
TYPE A FILL	703.06d	TYPE A	---
TYPE D FILL	703.06b	TYPE B	---
AGGREGATE FOR SUB-BASE	703.06b	TYPE B	---
GRANULAR BORROW	703.19	703.19	10% MAX No. 200 9" MAX SIZE



NO.	DATE	DESCRIPTION
4	4/27/05	FOR CONSTRUCTION
3	2/21/05	REVISIONS - CLIENT REQUEST
2	2/16/05	CONSTRUCTION BID SET
1	1/14/05	PERMIT PLAN

WORK

NO.	DATE	DESCRIPTION
1	1/14/05	PERMIT PLAN

CMANBRO CORPORATION
RUBB BUILDING VII

FOUNDATION & SLAB DETAILS

SCALE: AS SHOWN
DATE: 8/24/04
DRAWN: BDM
DESIGN: RG

SHEET: S4 OF 8
JOB: 407