

**City of Portland, Maine - Building or Use Permit Application**

389 Congress Street, 04101 Tel: (207) 874-8703, FAX: (207) 8716

**PERMIT ISSUED**  
MAR 3 2011  
**CITY OF PORTLAND**

Job No: 2011-02-1002-FIRE ALARM	Date Applied: 1/28/2011	CBL: 070 - - C - 002 - 001 - - - -	
Location of Construction: 501 DANFORTH (S25)	Owner Name: 501 Danforth, LLC	Owner Address: 53 Lisbon Street Suite 2400 LEWISTON, ME - MAINE 04243	Phone:
Business Name:	Contractor Name: MANCINI, ANTHONY	Contractor Address: 179 SHERIDAN ST PORTLANDMAINE04101	Phone: 774-5829
Lessee/Buyer's Name:	Phone:	Permit Type: FIRE ALARM	Zone: B-2b
Past Use: Storage & accessory building (permit #10-0664)	Proposed Use: Same - Storage & Accessory building	Cost of Work:	CEO District:
		Fire Dept: <input checked="" type="checkbox"/> Approved w/ conditions <input type="checkbox"/> Denied <input type="checkbox"/> N/A	Inspection: Use Group: S-1 Type: Fire Alarm
		Signature: <i>[Signature]</i> (58)	Signature: <i>[Signature]</i>
Proposed Project Description: 501 Danforth - 60' x 100' permit#100664 - fire alarm		Pedestrian Activities District (P.A.D.)	

Permit Taken By:	<b>Zoning Approval</b>		
1. This permit application does not preclude the Applicant(s) from meeting applicable State and Federal Rules. 2. Building Permits do not include plumbing, septic or electrical work. 3. Building permits are void if work is not started within six (6) months of the date of issuance. False informatin may invalidate a building permit and stop all work.	<b>Special Zone or Reviews</b> <input type="checkbox"/> Shoreland <input type="checkbox"/> Wetlands <input type="checkbox"/> Flood Zone <input type="checkbox"/> Subdivision <input type="checkbox"/> Site Plan ___ Maj ___ Min ___ MM Date: Ok w/ conditions 2/4/11 ABM	<b>Zoning Appeal</b> <input type="checkbox"/> Variance <input type="checkbox"/> Miscellaneous <input type="checkbox"/> Conditional Use <input type="checkbox"/> Interpretation <input type="checkbox"/> Approved <input type="checkbox"/> Denied Date:	<b>Historic Preservation</b> <input type="checkbox"/> Not in Dist or Landmark <input type="checkbox"/> Does not Require Review <input type="checkbox"/> Requires Review <input type="checkbox"/> Approved <input type="checkbox"/> Approved w/Conditions <input type="checkbox"/> Denied Date: Any exterior work requires a separate review and approval that includes preservation.
	<b>CERTIFICATION</b>		

I hereby certify that I am the owner of record of the named property, or that the proposed work is authorized by the owner of record and that I have been authorized by the owner to make this application as his authorized agent and I agree to conform to all applicable laws of this jurisdiction. In addition, if a permit for work described in the application is issued, I certify that the code official's authorized representative shall have the authority to enter all areas covered by such permit at any reasonable hour to enforce the provision of the code(s) applicable to such permit.

SIGNATURE OF APPLICANT	ADDRESS	DATE	PHONE
------------------------	---------	------	-------

Newbury is 525.  
 permit 10-0664 (new building)

**Job Summary Report**  
 Job ID: 2011-01-260-ELEC-RR

Report generated on Feb 4, 2011 1:21:45 PM

<b>Job Type:</b>	Electrical-Repair/Replace/ Upgrade	<b>Job Description:</b>	501 Danforth - 60' x 100' permit#100664	<b>Job Year:</b>	2011
<b>Building Job Status Code:</b>	Permit Issued	<b>Pin Value:</b>	448	<b>Tenant Name:</b>	
<b>Job Application Date:</b>		<b>Public Building Flag:</b>	N	<b>Tenant Number:</b>	
<b>Estimated Value:</b>		<b>Square Footage:</b>		<i>Property Owner</i>	
<b>Related Parties:</b>		501 Danforth LLC		<i>ELECTRICAL CONTRACTOR</i>	
		ANTHONY MANCINI			

**Job Charges**

Fee Code Description	Charge Amount	Permit Charge Adjustment	Net Charge Amount	Payment Date	Receipt Number	Payment Amount	Payment Adjustment Amount	Net Payment Amount	Outstanding Balance
----------------------	---------------	--------------------------	-------------------	--------------	----------------	----------------	---------------------------	--------------------	---------------------

**Location ID: 11214**

**Location Details**

Alternate Id	Parcel Number	Census Tract	GIS X	GIS Y	GIS Z	GIS Reference	Longitude	Latitude
976300	070 C 002 001		U				-70.276165	43.644217

Location Type	Subdivision Code	Subdivision Sub Code	Related Persons	Address(es)
1				501 DANFORTH STREET WEST

Location Use Code	Variance Code	Use Zone Code	Fire Zone Code	Inside Outside Code	District Code	General Location Code	Inspection Area Code	Jurisdiction Code
BENEVOLENT & CHARITABLE		NOT APPLICABLE	B-2b		Historic District		DISTRICT 3	WEST END

**Structure Details**

**Structure: Sweetser School - 100664**

**Occupancy Type Code:**

Structure Type Code	Structure Status Type	Square Footage	Estimated Value	Address
Schools and Other Educational Buildings	0			501 DANFORTH STREET WEST

Longitude	Latitude	GIS X	GIS Y	GIS Z	GIS Reference	User Defined Property Value

**Permit #: ELEC-750**

**Permit Data**

**Job Summary Report**  
**Job ID: 2011-01-260-ELEC-RR**

Report generated on Feb 4, 2011 1:21:45 PM

Location Id	Structure Description	Permit Status	Permit Description	Issue Date	Reissue Date	Expiration Date		
11214	Sweetser School - 100664	Initialized						
Inspection Details								
Inspection Id	Inspection Type	Inspection Result Status	Inspection Status Date	Scheduled Start Timestamp	Result Status Date	Final Inspection Flag		
Fees Details								
Fee Code Description	Charge Amount	Permit Charge Adjustment	Permit Charge Adj Remark	Payment Date	Receipt Number	Payment Amount	Payment Adjustment Amount	Payment Adj Comment
Electric Commercial Permit Fee	\$69.00			1/14/11	751	\$69.00		

**Permit #: FIRE ALARM-1002**

Permit Data								
Location Id	Structure Description	Permit Status	Permit Description	Issue Date	Reissue Date	Expiration Date		
11214	Sweetser School - 100664	Initialized	Fire Alarm on first floor storage room					
Inspection Details								
Inspection Id	Inspection Type	Inspection Result Status	Inspection Status Date	Scheduled Start Timestamp	Result Status Date	Final Inspection Flag		
Fees Details								
Fee Code Description	Charge Amount	Permit Charge Adjustment	Permit Charge Adj Remark	Payment Date	Receipt Number	Payment Amount	Payment Adjustment Amount	Payment Adj Comment
Fire Permit Fee	\$60.00			2/3/11	1047	\$60.00		

**Job Summary Report**  
 Job ID: 2011-01-260-~~ELEC-750~~

Report generated on Feb 3, 2011 10:56:04 AM

<b>Job Type:</b>	Electrical-Repair/Replace/Upgrade	<b>Job Description:</b>	501 Danforth - 60' x 100' permit#100664	<b>Job Year:</b>	2011
<b>Building Job Status Code:</b>	Permit Issued	<b>Pin Value:</b>	448	<b>Tenant Name:</b>	
<b>Job Application Date:</b>		<b>Public Building Flag:</b>	N	<b>Tenant Number:</b>	
<b>Estimated Value:</b>		<b>Square Footage:</b>			
<b>Related Parties:</b>		<b>CHILDREN'S SWEETSER</b> -old owner		<i>Property Owner</i>	
		ANTHONY MANCINI		<i>ELECTRICAL CONTRACTOR</i>	

**Job Charges**

Fee Code Description	Charge Amount	Permit Charge Adjustment	Net Charge Amount	Payment Date	Receipt Number	Payment Amount	Payment Adjustment Amount	Net Payment Amount	Outstanding Balance
----------------------	---------------	--------------------------	-------------------	--------------	----------------	----------------	---------------------------	--------------------	---------------------

**Location ID: 11214**

**Location Details**

Alternate Id	Parcel Number	Census Tract	GIS X	GIS Y	GIS Z	GIS Reference	Longitude	Latitude
976300	070 C 002 001		U				-70.276165	43.644217

Location Type	Subdivision Code	Subdivision Sub Code	Related Persons	Address(es)
1				501 DANFORTH STREET WEST

Location Use Code	Variance Code	Use Zone Code	Fire Zone Code	Inside Outside Code	District Code	General Location Code	Inspection Area Code	Jurisdiction Code
BENEVOLENT & CHARITABLE		NOT APPLICABLE			Historic District		DISTRICT 3	WEST END

**Structure Details**

**Structure: Sweetser School - 100664**

**Occupancy Type Code:**

Structure Type Code	Structure Status Type	Square Footage	Estimated Value	Address
Schools and Other Educational Buildings	0			501 DANFORTH STREET WEST

Longitude	Latitude	GIS X	GIS Y	GIS Z	GIS Reference	User Defined Property Value

**Permit #: ELEC-750**

**Permit Data**

**Job Summary Report**  
**Job ID: 2011-01-260-ELEC-RR**

Report generated on Feb 3, 2011 10:56:04 AM

Location Id	Structure Description	Permit Status	Permit Description	Issue Date	Reissue Date	Expiration Date		
11214	Sweetser School - 100664	Initialized						
Inspection Details								
Inspection Id	Inspection Type	Inspection Result Status	Inspection Status Date	Scheduled Start Timestamp	Result Status Date	Final Inspection Flag		
Fees Details								
Fee Code Description	Charge Amount	Permit Charge Adjustment	Permit Charge Adj Remark	Payment Date	Receipt Number	Payment Amount	Payment Adjustment Amount	Payment Adj Comment
Electric Commercial Permit Fee	\$69.00			1/14/11	751	\$69.00		

**Permit #: FIRE ALARM-1002**

Permit Data								
Location Id	Structure Description	Permit Status	Permit Description	Issue Date	Reissue Date	Expiration Date		
11214	Sweetser School - 100664	Initialized	Fire Alarm on first floor storage room					
Inspection Details								
Inspection Id	Inspection Type	Inspection Result Status	Inspection Status Date	Scheduled Start Timestamp	Result Status Date	Final Inspection Flag		
Fees Details								
Fee Code Description	Charge Amount	Permit Charge Adjustment	Permit Charge Adj Remark	Payment Date	Receipt Number	Payment Amount	Payment Adjustment Amount	Payment Adj Comment
Fire Permit Fee	\$60.00							

Assessor's Office | 389 Congress Street | Portland, Maine 04101 | Room 115 | (207) 874-8486

City Home Departments City Council E-Services Calendar Jobs

This page contains a detailed description of the Parcel ID you selected. Press the **New Search** button at the bottom of the screen to submit a new query.

**Current Owner Information:**

**Services**

**Applications**

**Doing Business**

**Maps**

**Tax Relief**

**Tax Roll**

**Q & A**

**CBL** 070 C002001  
**Land Use Type** OFFICE & BUSINESS SERVICE  
**Property Location** 501 DANFORTH ST  
**Owner Information** 501 DANFORTH LLC  
 53 LISBON ST STE 2400  
 LEWISTON ME 04243  
**Book and Page** 27699/053  
**Legal Description** 70-C-2  
 VALLEY ST 1-27 DANFORTH ST  
 NORTH BOUND  
 54409 SF  
**Acres** 1.249



**Current Assessed Valuation:**

browse city services a-z

browse facts and links a-z

**TAX ACCT NO.** 11214 **OWNER OF RECORD AS OF APRIL 2010**  
 SWEETSER CHILDREN'S SERVICES  
**LAND VALUE** \$133,600.00 **50 MOODY ST**  
**BUILDING VALUE** \$233,230.00 **SACO ME 04072**  
**BENEVOLENT AND CHARITABLE (\$366,830.00)**  
**NET TAXABLE - REAL ESTATE** \$0.00  
**TAX AMOUNT** \$0.00

Any information concerning tax payments should be directed to the Treasury office at 874-8490 or e-mailed.



Best viewed at 800x600, with Internet Explorer

**Building Information:**

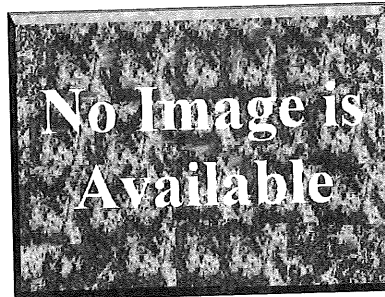
Card 1 of 2

**Year Built** 1936  
**Style/Structure Type** OFFICE BUILDING - LOW-RISE  
**# Units** 1  
**Building Num/Name** 1 - PROPSYS  
**Square Feet** 5554

[View Sketch](#)

[View Map](#)

[View Picture](#)



Card 2 of 2

**Year Built** 2010  
**Style/Structure Type** WAREHOUSE  
**# Units** 1  
**Building Num/Name** 2 - PROPSYS  
**Square Feet** 6542

**Exterior/Interior Information:**

Card 1

**Levels** B1/B1  
**Size** 1940  
**Use** MULTI-USE STORAGE  
**Height** 12  
**Heating** NONE  
**A/C** NONE

Card 1

**Levels** 01/01  
**Size** 2740  
**Use** MULTI-USE OFFICE  
**Height** 12  
**Walls** BRICK/STONE  
**Heating** HW/STEAM  
**A/C** NONE

Card 1

**Levels** 02/02  
**Size** 874  
**Use** MULTI-USE OFFICE  
**Height** 12  
**Walls** BRICK/STONE  
**Heating** HW/STEAM

Heating  
A/C

None  
NONE

**Card 2**

Levels 01/01  
Size 5940  
Use MULTI-USE STORAGE  
Height 19  
Walls BRK/CONC BLK  
Heating HOT AIR  
A/C CENTRAL

**Card 2**

Levels M1/M1  
Size 602  
Use MULTI-USE STORAGE  
Height 8  
Walls ENCLOSURE  
Heating HOT AIR  
A/C CENTRAL

**Other Features:**

**Card 1**

Structure SPRINKLER - WET  
Size 30227X0

**Card 2**

Structure OVERHEAD DOOR - WD/MT  
Size 14X14

**Card 2**

Structure OVERHEAD DOOR - WD/MT  
Size 10X10

**Outbuildings/Yard Improvements:**

**Card 1**

Year Built 1900  
Structure ASPHALT PARKING  
Size 10000  
Units 1  
Grade C  
Condition 3

**Sales Information:**

Sale Date	Type	Price	Book/Page
4/9/2010	LAND + BUILDING	\$400,000.00	27699/053
8/1/1996	LAND + BUILDING	\$195,000.00	12657/253

[New Search!](#)



# Fire Alarm Permit

If you or the property owner owes real estate or property taxes or user charges on any property within the city, payment arrangements must be made before permits of any kind are accepted.

Installation address: 501 Danforth Street CBL: 070 C002  
 Exact location: (within structure) First Floor Storage Room  
 Type of occupancy(s) (NFPA & ICC): Storage and Accessory Building  
 Building owner: Steve Griswald  
 System Designer (point of contact): Richard Brobst Jr.  
 Designer phone: 207-775-5755 E-mail: Rich@ProtectionProfessionals.PA  
 Installing contractor: Anthony Mancini Inc. Certificate of Fitness No: T101  
 Contractor phone: 207-774-5829 E-mail: gmancini@mancinielectric.com

This is a new application: YES  NO  New AES Master Box: YES  NO   
 (Include Master Box approval form)  
 Amendment to an existing permit: YES  NO  Permit no: \_\_\_\_\_

The following documents shall be provided with this application:

- Floor plans
- Wiring diagram
- Annunciator details
- Input/ Output Matrix
- Equipment data sheets
- Electrical Permit Pulled (check alarm/com)
- Scope of Work
- 11 1/2 x 17s
- pdf copy (may be e-mailed)
- Designer qualifications
- Battery/ voltage drop calcs

Master box approval only: YES  NO   
 (If yes check *New AES Master Box* above)

COST OF WORK: \$ 4,000.00

PERMIT FEE: \$ 60.00  
 (\$10 PER \$1,000 + \$30 FOR THE FIRST \$1,000)

RECEIVED

JAN 28 2011

Dept. of Building Inspections  
City of Portland, Maine

The designer shall be the responsible party for this application. Download a new copy of this application at [www.portlandmaine.gov/fire](http://www.portlandmaine.gov/fire) for every submittal. Submit all plans in electronic PDF in addition to readable 11 1/2 x 17s to the Building Inspections Department, 389 Congress Street, Room 315, Portland, Maine 04101.

Prior to acceptance of any fire alarm system, a complete commissioning and acceptance test must be coordinated with all fire system contractors and the Fire Department, and proper documentation of such test(s) provided.

All installation(s) must comply with the *City of Portland Technical Standard for Signaling Systems for the Protection of Life and Property*, available at [www.portlandmaine.gov/fire](http://www.portlandmaine.gov/fire).

Applicant signature: Gino Mancini Date: JANUARY 11, 2011





# PORTLAND MAINE

*Strengthening a Remarkable City, Building a Community for Life* • [www.portlandmaine.gov](http://www.portlandmaine.gov)

Director of Planning and Urban Development  
Penny St. Louis

Job ID: 2011-01-260-ELEC-RR

Located At: 501 DANFORTH

CBL070 - - C - 002 - 001 - - - -

## **Conditions of Approval:**

### **Fire**

1. The fire alarm system shall comply with the City of Portland Standard for Signaling Systems for the Protection of Life and Property. All fire alarm installation and servicing companies shall have a Certificate of Fitness from the Fire Department.
2. In field installation shall be installed per code as conditions dictate.
3. Records cabinet, FACP, annunciator(s), and pull stations shall be keyed alike.
4. Central Station monitoring for addressable fire alarm systems shall be by point.
5. All fire alarm records required by NFPA 72 should be stored in an approved cabinet located at the FACP labeled "FIRE ALARM RECORDS".
6. Installation of a Fire Alarm system requires a Knox Box to be installed per city ordinance.
7. System acceptance and commissioning must be coordinated with alarm and suppression system contractors and the Fire Department. Call 874-8703 to schedule.
8. Fire Alarm system shall be maintained. If system is to be off line over 4 hours a fire watch shall be in place. Dispatch notification required 874-8576.

### **Building**

1. Fire Alarm systems shall be installed per Sec. 907 of the IBC 2009
2. Separate permits are required for any electrical, plumbing, sprinkler, fire alarm HVAC systems, heating appliances, including pellet/wood stoves, commercial hood exhaust systems and fuel tanks. Separate plans may need to be submitted for approval as a part of this process.

### **Zoning**

1. This permit is being approved on the basis of plans submitted. Any deviations shall require a separate approval before starting that work.
2. ANY exterior work requires a separate review and approval thru Historic Preservation. This property is located within an Historic District.

## BUILDING PERMIT INSPECTION PROCEDURES

Please call 874-8703 or 874-8693 (ONLY)

or email: [buildinginspections@portlandmaine.gov](mailto:buildinginspections@portlandmaine.gov)

With the issuance of this permit, the owner, builder or their designee is required to provide adequate notice to the city of Portland Inspections Services for the following inspections. Appointments must be requested 48 to 72 hours in advance of the required inspection. The inspection date will need to be confirmed by this office.

- **Please read the conditions of approval that is attached to this permit!! Contact this office if you have any questions.**
  - **Permits expire in 6 months. If the project is not started or ceases for 6 months.**
  - **If the inspection requirements are not followed as stated below additional fees may be incurred due to the issuance of a "Stop Work Order" and subsequent release to continue.**
1. Electrical – Commercial
  2. Final at completion

The project cannot move to the next phase prior to the required inspection and approval to continue, REGARDLESS OF THE NOTICE OF CIRCUMSTANCES.

IF THE PERMIT REQUIRES A CERTIFICATE OF OCCUPANCY, IT MUST BE PAID FOR AND ISSUED TO THE OWNER OR DESIGNEE BEFORE THE SPACE MAY BE OCCUPIED.



**501 Danforth Street**

**Portland, Maine**

**Fire alarm system**

**Electrician:**

**Mancini Electric**

**179 Sheridan Street**

**Portland, Maine 04101**

**Supplier:**

**Protection Professionals**

**325 US Route One**

**Falmouth, Maine**

**207-775-5755**

# Protection Professionals

325 US Route 1  
 Falmouth, ME 04105  
 Ph 207-775-5755  
 Fax 207-781-2064

# Device List

No. 2337

List Date
12/29/2010

<b>Bill To Name / Address</b>	<b>Job Site</b>
Mancini Electric Geno Mancini	501 Danforth Street Portland, Maine

**CHANGING THIS DEVICE LIST DOES NOT ALTER THE ORIGINAL ESTIMATE**  
 Attach copy to Purchase Order for accounting

Estimate No.

Item	Description	Qty To Order	Qty Ordered
599-050590	MPC-6000 FACP, 252 points, 2 NPE-1, 6 amps, 4 Class B NACs or 2 Class A NACs	1	
500-648953FA	Complete Enclosure Red for MPC-6000	1	
Bat 12-7	12V 7AH Batteries	2	
500-649330FA	Dialer for MPC-6000	1	
IM-RJ31XSET	IM-RJ31XSET	2	
500-033170FA	8709 Isolator Module	1	
500-034000FA	8701 Mini-Module for Contact Devices (sprinkler)	6	
500-648507FA	MANUAL PULL STATION DUAL ACTION KEY RESET CAST METAL	3	
500-034000FA	8701 Mini-Module for Contact Devices (pulls)	3	
500-033290FA	8713 Photo/Thermal Detector (FireSmart)	1	
500-094151FA	8853B - 2 Wire Detector Base	1	
500-636161	ZH-MC-R Horn/strobe, red, wall mount, Hi or Lo volume, 15cd, 30cd, 75cd, or 110cd	7	
500-636169	ZR-MC-R Strobe only, red, wall mount, 15cd, 30cd, 75cd, or 110cd	1	
3201	Key box w/o TS Surface, Black	1	
06-SSU00672	Fire Document box 12 inches wide X 13.1 inches high X 2.25 inches deep Out-of-state sale, exempt from sales tax	1	

Ordered By: \_\_\_\_\_


Date: \_\_\_\_\_

Received By: \_\_\_\_\_

Date: \_\_\_\_\_

## MPC-6000 Intelligent Fire Alarm Panel

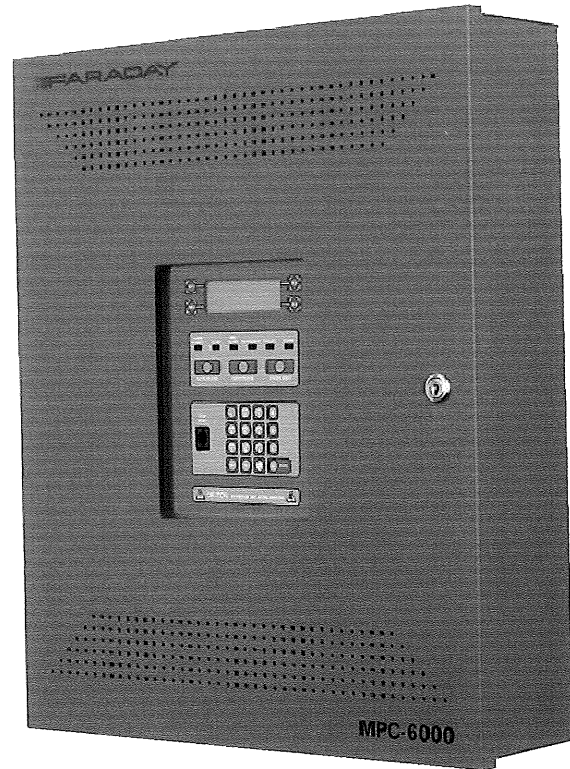
### Features

- One intelligent Signaling Line Circuit
- SLC loop supports up to 252 addressable Inputs AND signal/relay outputs (504 inputs/outputs total)
- Addressable devices are polarity insensitive
- Devices operate on standard wire-no twist or shield required
- FireSmart Application Specific fire detection
- 4 Class B/2 Class A notification appliance circuits
- Up to 6A NAC Power
- Built in strobe synchronization protocol
- 80 Character backlit LCD display
- Optional Peer-to-Peer networking using MPC-Net
- One man walk test (Silent or Audible)
- Auto Program Feature
- UP to 16 remote LCD Displays with control capabilities
- Programmable from front keypad, or Windows based PC programming software
- Maintenance and technician level passwords
- Optional internal DACT
- 2000 event history log
- Made in the USA, ISO 9001 quality crafted
-  UL 864 , MEA & CSFM Listed and FM Approved

### Description

The MPC-6000 is an advanced modular fire alarm panel. It features analog/addressable detection, programming, and memory capability. It's base configuration includes one analog/addressable loop, with four notification appliance output circuits.

Operating controls and indicators are mounted behind a locked cabinet door and an 80-character LCD display provides specific indications for addressable devices, while LEDs indicate general panel status.



**MPC-6000**

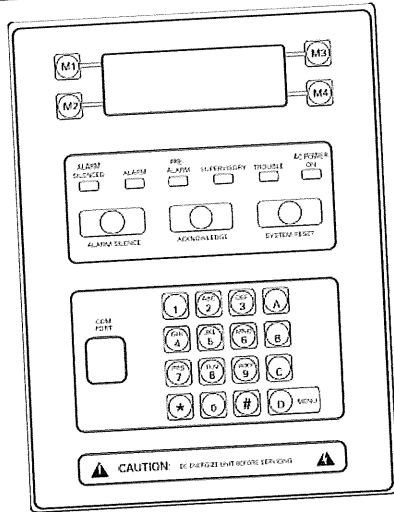
### Hardware Configuration

The main termination board mounts in the rear of the panel. The main power supply is physically contiguous with the main termination board. The MPC-6000 main termination board provides the interface for external system connections, the SLC loop interface PCB, four NAC circuits, remote signaling circuits and indicating interfaces.

The front Display Board mounts on a hinged front plate, which is located behind a locked cabinet door. Displays for any number of zones are handled through this board.

All normal operation is controlled from the front of the panel via membrane switches. Displays are provided by an 80-character, alphanumeric, backlit LCD display and by discrete LED indicators for major panel functions.

The 80-character LCD display is used to display event data, including alarms and troubles, supervisory identification of zone or device, and presentation of history. The menus are controlled by a set of four membrane switches commanding the control processor. A back light is included to assure visibility in low light, but to conserve power, it is only activated during a reported event.



### Minimum Control Unit Configuration

- A. Intelligent Signaling Line Circuit – The main termination board has addressable loop interface circuitry supporting one SLC loop. Devices are polarity insensitive and can operate on untwisted, unshielded wire.
- B. Notification Appliance Circuits – The base panel has four independent NACs. Each circuit can be selected to give continuous output, one of eight sounding patterns. NACs are style Z or Y capable, without additional modules.
- C. Dry Contacts – Four programmable form "C" dry relay contacts are provided.
- D. Remote Annunciation – The MPC-6000 panel will drive up to 16 annunciators and 8 remote processors on an RS-485 communication line.
- E. Power Supply – A 7A, 24V nominal power supply provides all operating power to the panel for both standby and alarm conditions.

### Auxiliary Devices

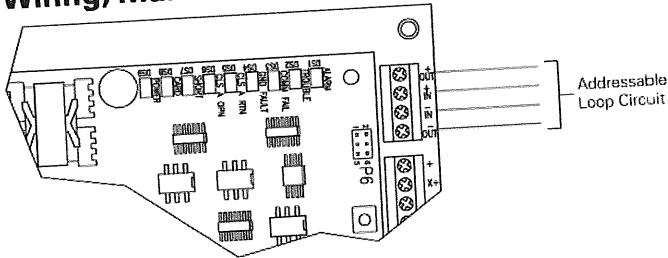
- A. Remote LCD Annunciator (RDC-2) – The remote LCD annunciator consists of a backlit 80 character, alphanumeric display, 4 menu buttons, 4 dedicated buttons for operator interaction, 6 LED indicators, and a security key switch.
- B. Serial Annunciator (SLU-2) – Consists of one remote processor and one annunciator driver board capable of providing 16 supervised outputs for LEDs or incandescent lamps. Expansion to drive 512 LEDs or lamps is via additional processor boards and annunciator drive boards (SLE-16).
- C. Serial Relay Unit (SRU-2) – Consists of remote processor and relay board which provides 8 relays with form "C" dry contacts rated at 1 amp. Expansion to 192 relays is via additional remote processor boards and relay boards (SLE-8).

### Optional Control Unit Configuration

- A. MPC-DACT – The MPC-DACT provides a dual line digital alarm communications transmitter. It's parameters are set via the control unit programming sequence.

The MPC-DACT is compatible with the following formats: SIA DCS 8, SIA DCS 20, Ademco Contact ID, 3/1 1400 Hz., 3/1 2300 Hz.,

# Wiring, Main Termination Board



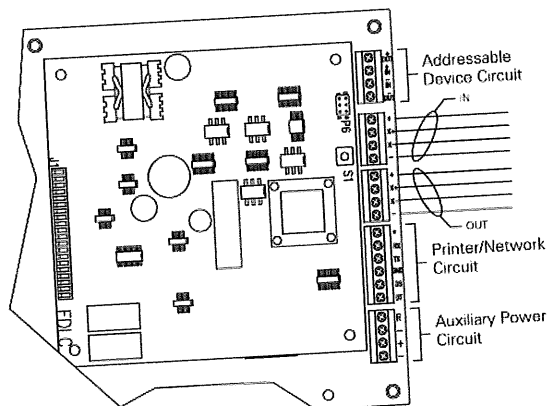
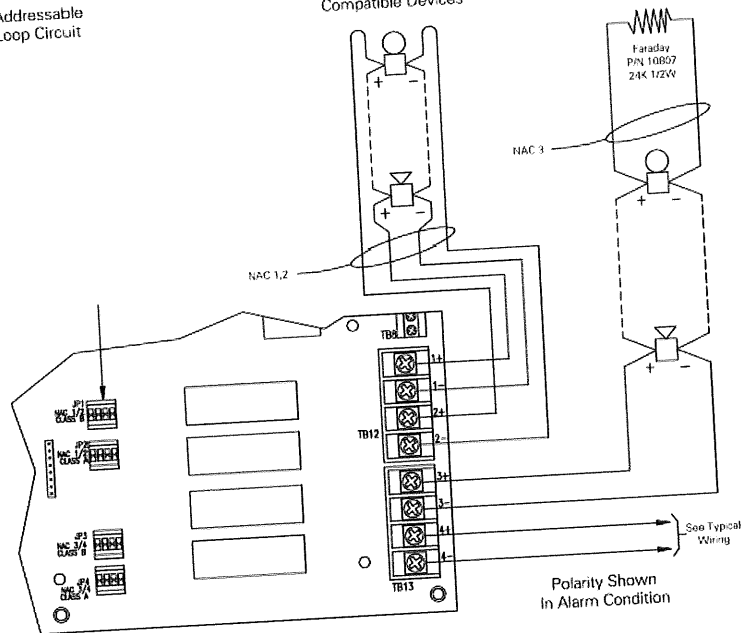
Addressable Device Circuit  
 Style 4 or 6 Operation  
 24VDC nominal  
 Wire Resistance-50 ohms max  
 (see Line Resistance Graph)  
 Supervised, Power Limited  
 See Owner's Manual for Compatible Devices

**NAC Rating:**  
 Alarm Voltage: 24V FW nominal  
 Max. Alarm Current: 1.5A/NAC circuit  
 Max. Ripple: 16VAC  
 Max. Wire Voltage Drop: 1.0VDC  
 Max. Standby Current: 1.0mA

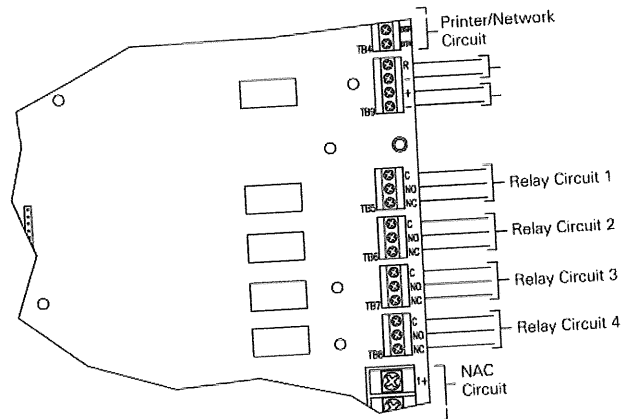
**NOTE:**  
 The maximum total current for the MPC-6000 NACs is 3.0A and 6.0A with the optional additional Transformer P/N NPE-1

Typical Notification Appliance Circuit Style Z, Class A  
 Supervised, Power Limited  
 See Owners Manual for Compatible Devices

Typical Notification Appliance Circuit Style Y, Class B  
 Supervised, Power Limited  
 See Owners Manual for Compatible Devices



Serial Interface Circuit,  
 (-, -) 24VDC nominal, 0.4 max  
 (X+, X-) RS-485 levels  
 Wire Type Twisted Pair For Data  
 Wire Resistance-11 ohms/line (4000' max)  
 Supervised, Power Limited,  
 See Owner's Manual for  
 Compatible Devices.



Auxiliary Power Outputs  
 0.4A max. @24VDC nominal  
 Unsupervised, Power Limited  
 Maximum current of all auxiliary outputs  
 circuits, Serial Interface Circuit and  
 option boards is: 0.5A for the 6000  
 1.0 A for the 7000

Status Relay Contacts  
 (Shown in normal standby condition)  
 1A 28VDC max Resistive For Power  
 Limited Source, Unsupervised

## General Specifications

### Environmental

Operating temperature: 32-120°F (0-49°C)  
 Relative Humidity - 85% @ 86°F

### Primary Supply

Primary input voltage -  
 120 Vac (50/60 Hz.), 240 Vac (50/60 Hz.)  
 Maximum primary input current -  
 1.3 amp @ 120 Vac

### Secondary and Trouble Power Supply

24 volt lead-acid battery with 7 AH-38 AH capacity

### Auxiliary Power Outputs

Current - 0.5 amp resettable/non-resettable  
 power outputs

### Status System Relays

4 relays rated @ 1 amp, 28 Vdc resistive

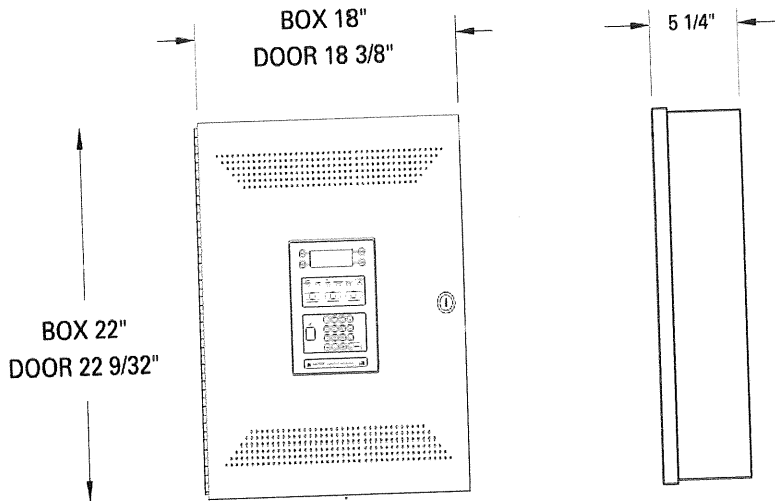
### NAC Circuits

Rating per NAC circuit, 1.5A ea., 6 max.

### Battery

Base cabinet will accommodate a 10 A battery  
 set. Larger batteries will require separate enclosure

## Dimensions



## Ordering Information

Model	Description	Part No.
MPC-6000	MPC-6000 Single Loop Addressable Fire Alarm Panel, Red	599-049304FA
MPC-6000B	MPC-6000 Single Loop Addressable Fire Alarm Panel, Black	599-049303FA
<b>Options</b>		
RDC-2	Remote Annunciator	500-648980FA
NPE-1	Transformer to expand NAC power	500-649120FA
SRU-2	RS-485 Relay Card	500-649308FA
SRE-8	8 Relay Extender	500-649337FA
SLU-2	RS-485 LED Driver Card (16 Outputs)	500-649307FA
SLE-16	16 LED Driver Extender	500-649339FA
FAE-21	ACC. Enclosure for RS-485 Devices	500-401403014FA
MPC-DACT	Dialer for MPC-6000 and MPC-7000	500-649330FA
CT-1K	CityTie Module for MPC-6000 and MPC-7000	500-649336FA
SFTK-6R	Semi-Flush Trim for MPC-6000, Red	500-648955FA
SFTK-6B	Semi-Flush Trim for MPC-6000, Black	500-648954FA




Siemens Building Technologies, Inc.  
 8 Fernwood Road • Florham Park, NJ 07932  
 Tel: (973) 593-2600 • Fax: (973) 593-6670  
 Web: [www.faradayfirealarms.com](http://www.faradayfirealarms.com)

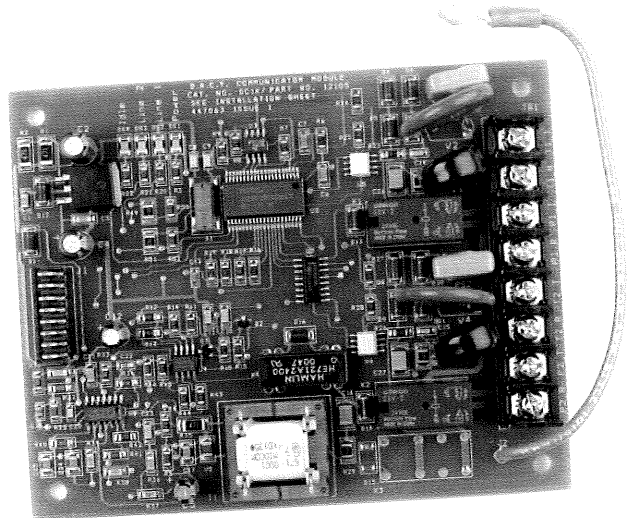
**WARNING** - The information contained in this document is intended only as a summary and is subject to change without notice. The devices described in this document have specific instruction sheets which cover various technical, limitation and liability information. Copies of these instruction sheets and the General Product Warning and Limitations Document, which also contains important information, are provided with the product and are available from the Manufacturer. Information contained in these documents should be consulted before specifying or using the product. For further information or assistance concerning particular problems contact the Manufacturer.



## MPC- DACT - Digital Alarm Communication Transmitter

### Features

-  UL Listed for Central Station/Remote Station Monitoring (NFPA 72 Chapter 4)
- Four separate monitoring accounts available
- Two phone lines available
- Can send serial information to monitoring station
- Reports in 8 standard communication formats
- Automatic 24 hour test available
- Mounts within the MPC-6000 or 7000 enclosure directly on the main processor board
- All programming is done as part of the CIS-4 configuration



### Description

The Model MPC-DACT Digital Alarm Communication Transmitter is used to provide communication between the MPC-6000 or 7000 and a central or remote monitoring station. The MPC-DACT supports two lines and four accounts, and can transmit serial information (including the address of the event) to the monitoring station. Any of the accounts can send alarm, supervisory, trouble, reset, or trouble restore information (or any combination) as required. Communication protocols available include SIA DCS 8, SIA DCS 20, Ademco Contact ID, 3/1 1400 Hz, 3/1 2300 Hz, 4/2 1400 Hz and 4/2 2300 Hz. The FS-DACT can perform the automatic 24 hour test required by NFPA.

The MPC-DACT mounts within the MPC-6000 or 7000 enclosure on an 8-pin connection point on the main board. No external enclosure is required, and no wires are required between the panel and the dialer. Programming of account and dialing information is done as part of the system configuration. No external programmer for the dialer is required, and dialer information can be downloaded as part of the system configuration.

---

## Ordering Information

Model	Description	Part No.
MPC-DACT	Digital dialer for the MPC-6000 or 7000	500-649330FA



Siemens Building Technologies, Inc.  
8 Fernwood Road • Florham Park, NJ 07932  
Tel: (973) 593-2600 • Fax: (973) 593-6670  
Web: [www.faradayllc.com](http://www.faradayllc.com)

**WARNING** - The information contained in this document is intended only as a summary and is subject to change without notice. The devices described in this document have specific instruction sheets which cover various technical, limitation and liability information. Copies of these instruction sheets and the General Product Warning and Limitations Document, which also contains important information, are provided with the product and are available from the Manufacturer. Information contained in these documents should be consulted before specifying or using the product. For further information or assistance concerning particular problems contact the Manufacturer.

**Series PM6600 & PM6700 Manual Non-Code Keyed Stations****Features**

- MM101 Key Switch Cover
- Sturdy Metal Construction
- Enclosed Switch with Optional Glass Rod
- 10 Amp @ 120 Vac, 5 Amp @ 24 Vdc Switch Contact Rating
- Stations Available are: Single Action, Dual Action, Pre-Signal / General Alarm, Institutional, Weatherproof, and Explosion Proof
- UL, CSFM Listed & MEA approved
- Made in USA

**Description**

The PM6600/6700 series meets the requirements of the keyed reset station in every way. By using the standard Faraday MM101 series key, the user eliminates the need to search through many different reset keys. All stations are constructed of a solid die cast housing and come painted glossy red. The back switch plate is made of thick 14 Ga. plated steel and comes in a one gang size.

The electrical switch has a hefty 10 Amp @ 120 Vac normally open contact rating. All stations come with terminal block connections with the exception of the single action stations. These may be ordered with terminal blocks or pigtailed (See ordering information for a more detailed description).

Explosion proof and weatherproof units come complete with their own back box. Optional PM6767 matching red surface interior back boxes are also available.

**Operation****Alarm**

To activate the manual station, a firm downward pull of the recessed pull lever is required. Such action locks the lever in the down position, breaks the glass rod, (if used) and actuates the switch creating an alarm condition.

**Reset**

To restore an operated manual station to normal standby condition requires the use of a standard Faraday MM101 key. The lock, located at the top of the station, is turned with an inserted MM101 key.

PM6608/  
PM6700 (right) &  
PM 6696 (below)



This lets the front of the station swing down and allows the recessed pull down lever to be reset in the normal up position. Replacement of the glass rod (if used) is not necessary to reset the station. However, spare glass rods can be stored inside the station. To lock the station swing the front of the station back up to its original position and turn the MM101 key in the previously operated position.

**Engineering Specification**

Furnish and install where located on the drawings Faraday non-code pull stations. The stations should be pull down operation type with operation instructions provided on the station in raised letters. The station should be of metal construction, finished in fire alarm red/white, and shall be capable of proper operation with or without a break glass rod. Stations using any plastic parts other than the switch body, or requiring the use of a break glass rod to maintain a standby condition shall not be acceptable.

Upon operation the pull down lever shall lock into the alarm position and remain so until manually reset. A common Faraday MM101 key shall be required to gain access for resetting the station, testing the station or replacing the glass rod. Stations with test features that do not test the actual station actuating switch shall not be acceptable.

Stations shall contain one or more normally open alarm contacts. Wiring to the fire alarm system initiating circuit shall be via pressure type screw terminals or pigtail wires with in and out wiring required.

### Specifications

#### Electrical

Contacts – All contacts except General Alarm: 10A @ 120 Vac, General Alarm: 5A @ 30 Vdc

#### Dimensions

4-3/4" (H) x 3-3/16" (W) x 7/8" (D)

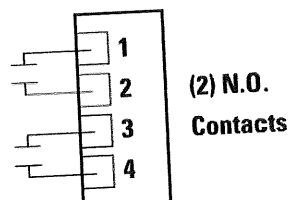
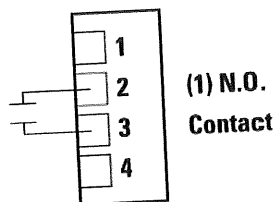
#### Weight

15-1/2 oz.

#### Mounting

Single gang box

### Wiring



### Ordering Information

Model	Description	Part No.
<b>Single Action Stations</b>		
PM6700	(RMS-1P-KL) Station, N.O., Pigtails	500-648504FA
PM6608	(RMS-1T-KL) Station, N.O., Terminals	500-648505FA
<b>Dual Action Stations</b>		
PM6696	(RMS-2T-LP-KL) Station, (2) N.O., Terminals	500-648507FA
<b>Pre-Signal/General Alarm Stations</b>		
PM6695	(RMS-1T-KS-KL) N.O. Pre-sig, N.O. Terminals	500-648265FA
<b>Weatherproof Stations</b>		
PM6699	(RMS-2T-WP-KL) (2) N.O. Terminals	500-648266FA
<b>Accessories</b>		
PM6698	(BB) Surface Back Box, Interior	500-648506FA
PM7601	Glass Rods (pack of 10)	500-648245FA
10531	(ST11130) Cover, surface mount w/horn	500-648563FA
10538	(ST11130) Cover, flush mount, w/ horn	500-648591FA
10539	(ST11200) Cover, flush mount, w/o horn	500-648253FA



Siemens Building Technologies, Inc.  
8 Fernwood Road • Florham Park, NJ 07932  
Tel: (973) 593-2600 • Fax: (973) 593-6670  
Web: www.faradayfirealarms.com


**WARNING** - The information contained in this document is intended only as a summary and is subject to change without notice. The devices described in this document have specific instruction sheets which cover various technical, limitation and liability information. Copies of these instruction sheets and the General Product Warning and Limitations Document, which also contains important information, are provided with the product and are available from the Manufacturer. Information contained in these documents should be consulted before specifying or using the product. For further information or assistance concerning particular problems contact the Manufacturer.

June 2004 - Supersedes sheet dated 12/03

## 8701 Intelligent Monitoring Module

### Features

#### Intelligent Interface Modules for use with MPC-6000 & 7000 Control Panels

- Interfaces and Supervises Normally Open Contacts
- Compact Size Allows Mounting in Single Gang Box Behind Equipment
- Polarity Insensitive Technology
- Innovative Technology Supports Comprehensive System and Interface Communication
- Dynamic Supervision
- Two Wire Operation
- 8720 Device Program/Test Unit Electronically Programs and Verifies Device's Address and Tests Device's Functionality
-  Listed, CSFM and NYMEA Approved

### Introduction

The FARADAY 8701 Intelligent interface module is designed to provide the means of interfacing direct shorting devices to the MPC-6000 & 7000 initiating circuit.

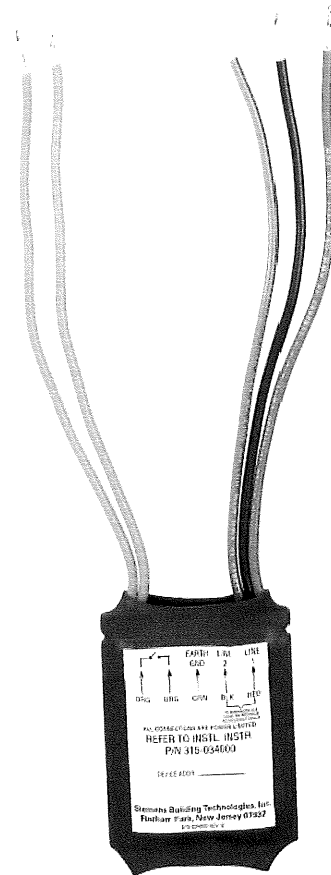
The 8701 Intelligent interface module provides the market's most advanced method of address programming and supervision, combined with sophisticated control panel communication. Each 8701 interface module incorporates microcomputer chip technology and its sophisticated bi-directional communication capabilities with the control panel.

### Description

The 8701 is designed to monitor a normally open dry contact and reports the contact's status to the control panel.

The device's microcomputer chip has the capacity of storing, in memory, identification information as well as important operating status information.

FARADAY innovative technology allows all 8701 intelligent interface modules to be programmed by



using the 8720 Device Program/Test Unit. The 8720 is a compact, portable, menu driven accessory that makes programming and testing an interface device faster, easier and more dependable than previous methods. The 8720 eliminates the need for mechanical addressing mechanisms, such as program jumpers, DIP switches or rotary dials, because it electronically sets the 8701 interface's address into the interface's microcomputer chip non-volatile memory. Vibration, corrosion and other conditions that deteriorate mechanical addressing mechanisms are no longer a cause for concern. This 8701 is connected to the program/tester with the programming cable provided with the tester. This programming cable utilizes two (2) alligator clip connectors to attach to the 8701.

The 8701 Series has five leads, one for grounding, which are wired to the system with user supplied wire nuts.

---

The 8701 is fully compatible on the same circuit with detectors, addressable manual stations or any addressable intelligent modules.

All 8701 intelligent interface modules have been UL and ULC Listed.

Environmental operating conditions for all 8701 modules are 32°F (°C) to 120°F (49°C) with a relative humidity of not greater than 93% non-condensating.

## Ordering Information

Model	Description	Shipping oz.	Weight kg.	Part No.
8701	Single Input	3.5	.1	500-034000FA

## Electrical Ratings

Current Draw (Active or Standby): 1mA




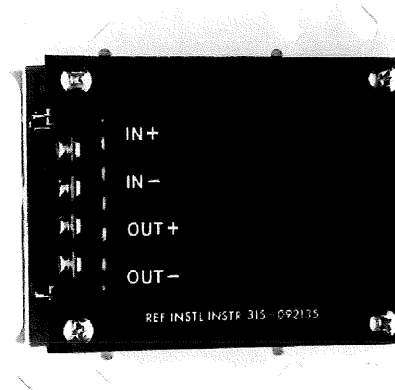
Siemens Building Technologies, Inc.  
8 Fernwood Road • Florham Park, NJ 07932  
Tel: (973) 593-2600 • Fax: (973) 593-6670  
Web: [www.faradayfirealarms.com](http://www.faradayfirealarms.com)

**WARNING** - The information contained in this document is intended only as a summary and is subject to change without notice. The devices described in this document have specific instruction sheets which cover various technical, limitation and liability information. Copies of these instruction sheets and the General Product Warning and Limitations Document, which also contains important information, are provided with the product and are available from the Manufacturer. Information contained in these documents should be consulted before specifying or using the product. For further information or assistance concerning particular problems contact the Manufacturer.

## 8709 Line Isolator Module for Use With MPC-6000 & 7000 Control Panels

### Features

- Short Circuit Isolation
- Used on MPC-6000 & 7000 Intelligent Device Circuits
- Increased Fault Tolerance
- Style 4 or Style 6
- Up to 12 Per Loop
- Requires no Programming
- Does Not Occupy a Device Address
- Mounts in Either 4" Square, 2 1/8" Deep or a 3 1/2" Deep Double Gang Electrical Box
- Local LED Indicator
- Cover Plate Included
-  Listed, NYMEA and CSFM Submitted



### Description

The 8709 loop isolator module provides short circuit protection on MPC-6000 & 7000 intelligent device circuits (FDLC). When a short is detected by the 8709, it isolates the affected segment of the circuit, allowing the remaining devices to continue operation. The 8709 is self-restoring, automatically reconnecting to circuit segment when the fault is removed.

The 8709 also includes a yellow LED which illuminates to indicate that the device has been activated. The 8709 mounts in either a 4" square, 2 1/8" deep or a 3 1/2" deep double gang electrical box and is supplied with a cover plate with an opening for the LED.

It can be wired in either a Style 4 or Style 6 configuration.

The 8709 does not occupy a device address on the intelligent device circuit and requires no programming. Up to twelve 8709s may be installed on each loop.

### Ordering Information

Model	Description	Part No.
8709	Line Isolator Module	500-033170FA




Siemens Building Technologies, Inc.  
8 Fernwood Road • Florham Park, NJ 07932  
Tel: (973) 593-2600 • Fax: (973) 593-6670  
Web: [www.faradayfirealarms.com](http://www.faradayfirealarms.com)

**WARNING** - The information contained in this document is intended only as a summary and is subject to change without notice. The devices described in this document have specific instruction sheets which cover various technical, limitation and liability information. Copies of these instruction sheets and the General Product Warning and Limitations Document, which also contains important information, are provided with the product and are available from the Manufacturer. Information contained in these documents should be consulted before specifying or using the product. For further information or assistance concerning particular problems contact the Manufacturer.



**Models 8710, 8712, 8713 (FireSmart™) X1 Series Detectors****Features****Intelligent Detectors for use with MPC 6000 and 7000 Control Panels**

- Three models available Photo (8710), Photo-Thermal (8713) and 135°F Thermal, fixed and rate of rise (8712)
- High-Speed, Fault-Tolerant Communication
- Multi-color status L.E.D (green, amber, red)
- Field cleanable photo chamber
- Electronic addressing with field programmer model 8720
- Mounts in standard 8853 Series Base
- Low Profile Design
- Optional fully programmable relay base, audible base and duct housing
- Two Wire Operation
-  UL Listed, CSFM, NYMEA and FM Approved

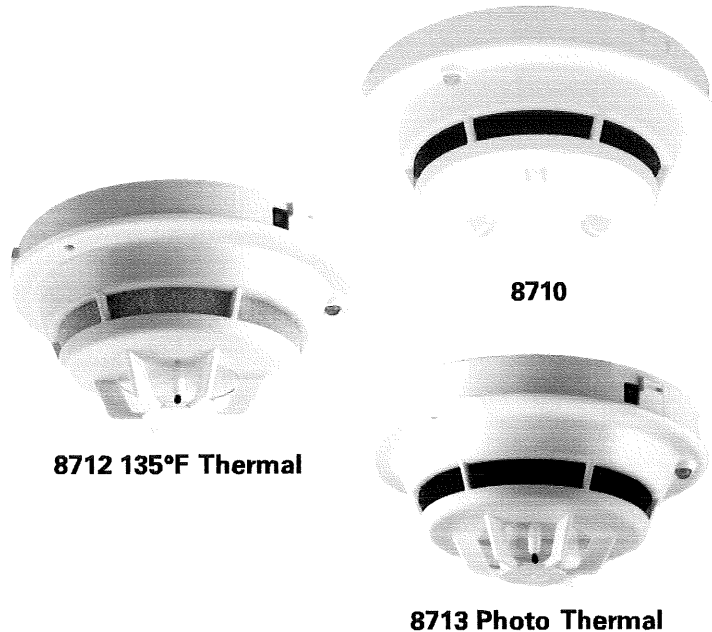
**Introduction**

The 8710 and 8713 intelligent photoelectric smoke detectors provide reliable smoke detection to meet today's critical life safety and property protection needs. The FireSmart series of detectors provide an extremely high degree of resistance to RFI, EMI and humidity. The FireSmart series detector utilizes a microprocessor with "on-board" EEPROM supporting the detectors sophisticated programming, error checking and self-diagnostic capabilities.

The 8710 is an intelligent smoke detector, the 8713 is a smoke detector with thermal assist, and the 8712 is a heat detector. The thermal sensors respond at 135°F. These devices are designed for use with the MPC-6000 and 7000 control panels and use the 8853 detector base.

**Description**

The 8710, 8712 and 8713 are two-wire, plug-in detectors that are compatible with the MPC-6000 and 7000 control panels. Each 8710 and 8713 have a dust resistant, field cleanable photo chamber and microprocessor based electronics. The 8712 and 8713 utilize a state-of-the-art thermistor for heat sensing. All detectors have low profile, high-temperature plastic covers for maximum protection of components and use surface mount electronic components for increased reliability. Every smoke detector is shipped with a red protective dust cover.

**8712 135°F Thermal****8710****8713 Photo Thermal**

Smoke detectors utilize an infrared light emitting diode (IRLED) and a light sensing photodiode. Under normal conditions, light transmitted by the LED is directed away from the photodiode and scattered through the smoke chamber in a controlled pattern. The smoke chamber is designed to manage light dissipation and extraneous reflections from dust particles or other non-smoke airborne contaminants in such a way as to maintain stable, consistent detector operation. When smoke enters the chamber, light emitted from the IRLED is scattered by the smoke particles and is received by the photodiode.

When an alarm condition occurs, the detector "latches" in alarm and informed the control panel of its status. The detector is reset upon command from the control panel. The control panel also sets the detector's sensitivity.

Every time the control panel polls the detector, the multi-color LED will flash green to indicate that it has passed the internal self test and has communicated its status to the control panel. If the detector does not pass the self test, is dirty beyond the limits of its environmental compensation, or is in "trouble" in any way, the LED flashes amber and informs the panel of its status, allowing for easy identification of which detector is in trouble. When in alarm, the detector LED flashes red.

Detectors are assigned their address using the 8720 Field Programmer/Tester, which electronically stores address information in the detectors non-volatile memory. The 8720 can also be used for device testing and diagnostics.

The FireSmart series detectors can be on the same circuit as other 8700 series initiating devices such as manual stations, TRI Monitoring/Relay Modules, etc. Detectors are mounted in the standard 8853 or 8716 Relay Base, 8715 Audible Base, or 8840/8717 Duct Housing. Use the standard 8727C or 8727W (red) Remote Lamps when remote annunciation is required.

Smoke detectors are field cleanable per the instructions included on the installation sheet provided with the product. X1 series detectors are UL listed for operation within the standard UL specified temperature range of 32 to 100 degrees F (0 to 38 degrees C).

### Application Data

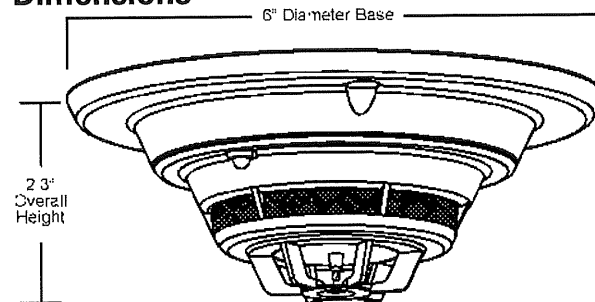
Installation of X1 series detectors require detector bases 8853, 8715, 8716, or 8840.

The 8710 and 8713 detectors can be applied within a maximum 30-foot center spacing (900 square foot area) as referenced in NFPA 72. This applications guideline is based on ideal conditions; specifically, smooth ceiling surfaces, minimal air movement and no physical obstructions between potential fire sources and the detector. Do not mount detectors in close proximity to ventilation or heating and air conditioning outlets. Exposed joints or beamed

ceilings may also affect safe spacing limitations of detectors. Should any questions arise regarding detector placement, observe NFPA 72 guidelines. Locating in close proximity to "noisy" electronic light ballasts or other sources of high level EMI or RFI should be avoided.

Good fire protection system engineering and common sense dictate how and when fire detection devices are installed and used. Contact your local Faraday authorized sales outlet whenever you need assistance applying these devices. Be sure to follow NFPA guidelines, the UL approved installation instructions provided with the product and local codes, as with any other fire protection equipment.

### Dimensions



### Technical Specifications

#### Operating Temperature

+32°F (0°C) to 100°F (38°C) per UL 269/268A

#### Humidity

0-93% Relative Humidity Non-Condensing

#### Current Draw

1 mA in alarm or stand-by mode

### Ordering Information

Model	Description	Part No.
8710	Photoelectric Detector	500-034800FA
8713	Photo-Thermal Detector (FireSmart™)	500-033290FA
8712	135°F Fixed Thermal Detector	500-033380FA
8715	Audible Base	500-033210FA
8853	Detector Base	500-094151FA
8840	Air Duct Housing	500-095656FA
8717	Air Duct Housing with Relay	500-033280FA
8716	Relay Base	500-033220FA
8727W	Remote Lamp (red) for 4" octagon box	500-033310FA
8727C	Remote Lamp (red) for single gang box	500-033230FA
8720	Field Programmer	500-033260FA
8846	Detector base lock (Pkg. of 50)	500-695350FA



Siemens Building Technologies, Inc.  
 8 Fernwood Road • Florham Park, NJ 07932  
 Tel: (973) 593-2600 • Fax: (973) 593-6670  
 Web: www.faradayfirealarms.com

**WARNING** - The information contained in this document is intended only as a summary and is subject to change without notice. The devices described in this document have specific instruction sheets which cover various technical, limitation and liability information. Copies of these instruction sheets and the General Product Warning and Limitations Document, which also contains important information, are provided with the product and are available from the Manufacturer. Information contained in these documents should be consulted before specifying or using the product. For further information or assistance concerning particular problems contact the Manufacturer.

### Z Strobes, Horns, Horn/Strobes

#### Features

- UL listed. ULC, CSFM, and FM pending.
- ADA/NFPA compliant
- EZ Mount design, with separate base plate, provides ability to pre-wire the base and test the circuit wiring before the walls are covered
- The base plate is protected by a disposable cover and the appliances can quickly snap onto the base after the walls are painted.
- EZ Mount Universal Mounting Plate (ZBB) – uses single plate for ceiling and wall mount installations
- Wall Mount models feature field selectable candela settings of 15/30/75/110cd and 135/185cd
- Ceiling Mount models feature field selectable candela settings of 15/30/75/95cd and 115/177cd
- Strobes can be synchronized using the Siemens 5406B sync modules, MPC-6000 panel, MPC-7000 panel, or RSE-300 power supply with built-in sync protocol
- "Special Applications" listed with Siemens panels
- Strobes produce 1 flash per second
- Selectable Continuous Horn or Temporal (Code-3) Tones with selectable 90 or 95 dBA setting (ZH model)

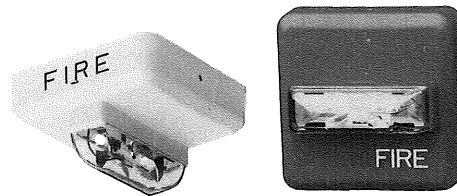
#### Description

The Siemens Series Z notification appliances feature an easy snap on base that is designed to simplify the installation and testing of horns, strobes, and horn/strobes. The separate Series Z snap on base can be pre-wired so circuit wiring can be fully tested before the appliance is installed and before the walls are covered. Once all surrounding work is complete, the appliance can be simply installed by snapping it on the base. Shorting contacts in the base, which provide continuity for circuit testing, are permanently opened when the appliance is installed so any subsequent removal of the appliance will indicate a trouble condition on that circuit at the control panel when circuit supervision is enabled. The same base is used for all Series Z horns, strobes and horn/strobes to provide consistent installation and easy replacement of appliances if required. A locking screw is also included for the appliance to provide extra secure installation.

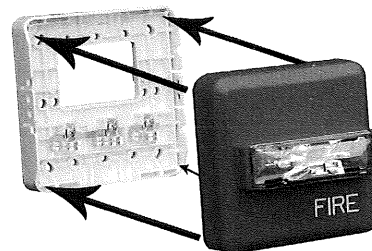
The Siemens Series Z appliances incorporate the same dependable circuitry and high efficiency optics that are used in Siemens ST strobes, NS horn/strobes and NH horns and have the same high performance ratings. The Series Z appliances are "Special Applications" listed with Siemens panels.



Series ZH



Series ZR



ZR AND ZH Mounting

#### Engineering Specifications

##### General

Audible/visual notification appliances shall be listed for indoor use and shall meet the requirements of FCC Part 15 Class B. These appliances shall be listed under UL Standard 1971, (Standard for Safety Signaling Devices for Hearing Impaired) and UL Standard 464 (Fire Protective Signaling). The appliances shall use a universal backplate that shall allow mounting to a single-gang, double-gang, 4-inch square, 4" octal, or a 3-1/2" octal backbox. Two wire appliance wiring shall be capable of directly connecting to the mounting back plate. Continuity checking of the entire NAC circuit prior to attaching any audible/visual notification appliances shall be allowed. A dust cover shall fit and protect the mounting plate. The dust cover shall be easily removed when the appliance is installed over the backplate. Removal of an appliance shall result in a trouble condition by the Fire Alarm Control Panel (FACP).

##### Strobes

Strobe appliances shall produce a minimum flash rate of 60 flashes per minute (1 flash per second) over the Regulated Input Voltage Range and shall incorporate a

Xenon flashtube enclosed in a rugged Lexan® lens. The strobes shall be available with two or four field selectable settings in one unit and shall be rated, per UL 1971, for up to 185 cd for wall mounting and 177 cd for ceiling mounting. The strobes shall operate over an extended temperature range of 32°F to 120°F (0°C to 49°C) and be listed for maximum humidity of 95% RH. Strobe inputs shall be polarized for compatibility with standard reverse polarity supervision of circuit wiring by a Fire Alarm Control Panel (FACP).

### Audibles and Audible/Strobe Combinations

Horns and horn/strobes shall be listed for Indoor use under UL Standard 464. The horns shall be able to produce a continuous output or a temporal code-3 output that can be synchronized. The horns shall have at least 2 sound level settings of 90 and 95 dBA.

### Synchronization Modules

When synchronization of strobes or temporal Code-3 audibles is required, the appliances shall be synchronized using the Siemens 5406B sync modules, MPC-6000 panels, MPC-7000 panels, or RSE-300 power supplies with built-in sync protocol. The strobes shall not drift out of synchronization at any time during operation. Au-

dibles and strobes shall be able to be synchronized on a 2-wire circuit with the capability to silence the audible if required. If the sync module or power supply fails to operate (i.e., contacts remain closed), the strobes shall revert to a non-synchronized flash rate. All notification appliances shall be listed for "Special Applications".

- Strobes are designed to flash at 1 flash per second minimum over their "Regulated Input Voltage Range".
- All candela ratings represent minimum effective strobe intensity based on UL Standard 1971.
- Series ZH Strobe products are listed under UL Standards 1971 and 464 for indoor use with a temperature range of 32°F to 120°F (0°C to 49°C) and maximum humidity of 93% (± 2%).
- Series ZH horns are listed under UL Standard 464 for audible signal appliances (Indoor use only).

### Technical Information

For complete technical information, please consult the relevant installation sheets as well as the Siemens Compatibility Guide.

### Ordering Information / Mounting Requirements / Approvals

Model Number	Order Code	Mounting Options#	Agency Approvals			
			UL	ULC	CSFM	FM
ZH-MC-R	500-636161	B, D, E, F	X	#	#	#
ZH-MC-W	500-636162	B, D, E, F	X	#	#	#
ZH-HMC-R	500-636163	B, D, E, F	X	#	#	#
ZH-HMC-W	500-636164	B, D, E, F	X	#	#	#
ZH-R	500-636159	B, D, E, F	X	#	#	#
ZH-W	500-636160	B, D, E, F	X	#	#	#
ZH-MC-CR	500-636165	B, D, E, F	X	#	#	#
ZH-MC-CW	500-636166	B, D, E, F	X	#	#	#
ZH-HMC-CR	500-636167	B, D, E, F	X	#	#	#
ZH-HMC-CW	500-636168	B, D, E, F	X	#	#	#
ZR-MC-R	500-636169	B, D, E, F	X	#	#	#
ZR-MC-W	500-636170	B, D, E, F	X	#	#	#
ZR-HMC-R	500-636171	B, D, E, F	X	#	#	#
ZR-HMC-W	500-636172	B, D, E, F	X	#	#	#
ZR-MC-CW	500-636174	B, D, E, F	X	#	#	#
ZR-MC-CR	500-636173	B, D, E, F	X	#	#	#
ZR-HMC-CR	500-636175	B, D, E, F	X	#	#	#
ZRS-HMC-CW	500-636176	B, D, E, F	X	#	#	#
ZBB-R	500-636193	Accessory - Includes base, dust cover, mounting screws and installation sheet				
ZBB-W	500-636194	Accessory - Includes base, dust cover, mounting screws and installation sheet				

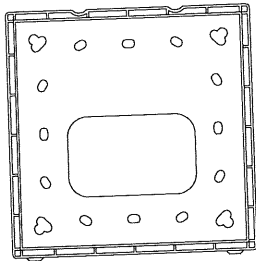
X = listed/approved    # = pending    \* = Refer to Data Sheet #9675 for mounting options.

**WARNING: PLEASE READ THESE SPECIFICATIONS AND INSTALLATION INSTRUCTIONS CAREFULLY BEFORE USING, SPECIFYING OR APPLYING THIS PRODUCT. FAILURE TO COMPLY WITH ANY OF THESE INSTRUCTIONS, CAUTIONS AND WARNINGS COULD RESULT IN IMPROPER APPLICATION, INSTALLATION AND/OR OPERATION OF THESE PRODUCTS IN AN EMERGENCY SITUATION, WHICH COULD RESULT IN PROPERTY DAMAGE, AND SERIOUS INJURY OR DEATH TO YOU AND/OR OTHERS.**

**FARADAY**  
 Siemens Building Technologies, Inc.  
 8 Fernwood Road • Florham Park, NJ 07932  
 Tel: (973) 593-2600 • Fax: (973) 593-6670  
 Web: www.faradayfirealarms.com

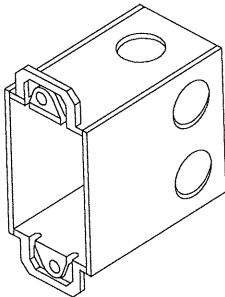
## Mounting Matrix and Details

(A) UNIVERSAL MOUNTING PLATE



"AS" Mounting (item included with AS series devices)

(B) SINGLE-GANG, FLUSH (BO)

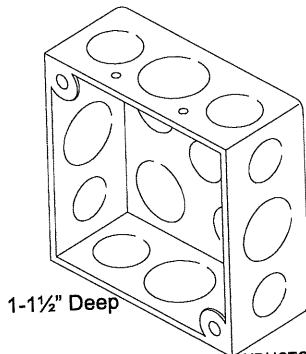


MAXIMUM NUMBER OF CONDUCTORS

AWG. #18	AWG. #16	AWG. #14	AWG. #12
4	4	4	4

Used with Series AH, AS, MH, NH, NS, ST

(D) 4" SQUARE, FLUSH (BO)



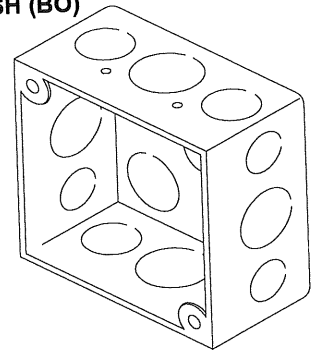
1-1/2" Deep

MAXIMUM NUMBER OF CONDUCTORS

AWG. #18	AWG. #16	AWG. #14	AWG. #12
4	4	4	4

Used with Series MH115, B6, B10, AH, AS, HS, MBDC, MTH, NH, NS, ST

(E) 4" SQUARE, DEEP, FLUSH (BO)



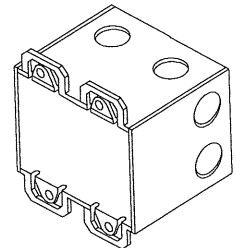
2-1/8" Deep

MAXIMUM NUMBER OF CONDUCTORS

AWG. #18	AWG. #16	AWG. #14	AWG. #12
8	8	8	8

Used with Series MH115, B6, B10, AH, AS, SETSF, SET-ULC, HS, MBDC, MTH, NH, NS, ST

(F) DOUBLE-GANG, FLUSH (BO)



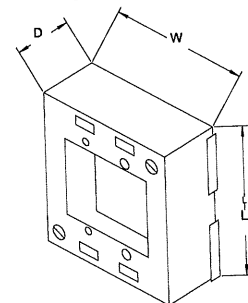
MAXIMUM NUMBER OF CONDUCTORS

AWG. #18	AWG. #16	AWG. #14	AWG. #12
4	4	4	4

Used with Series AH, AS, HS, MT, NH, NS, ST

(G) DOUBLE-GANG, SURFACE (BO)

L.	W.
4-3/4"	4-3/4"
D.	GANG #
1-3/4"	2

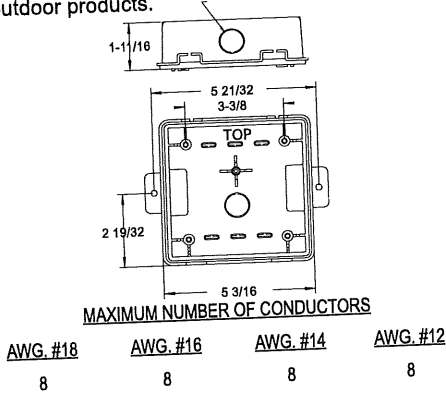


MAXIMUM NUMBER OF CONDUCTORS

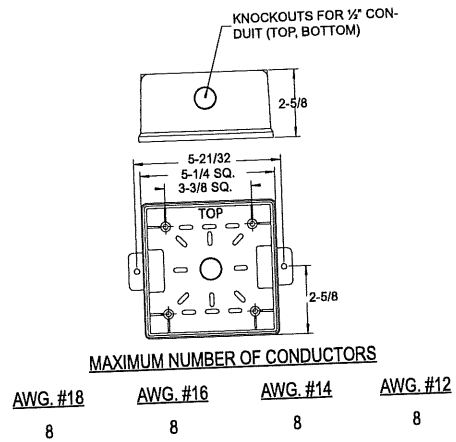
AWG. #18	AWG. #16	AWG. #14	AWG. #12
4	4	4	4

Used with Series AH, AS, NH, NS, ST

**(I) WPBBS (ORDER CODE: RED 500-636137)**  
 Plastic backbox for surface mounting series AS weather-proof outdoor products.

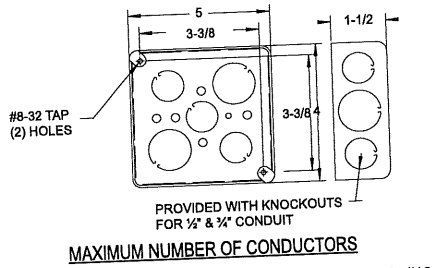


**(M) MT-SUR-BOX BACKBOX (ORDER CODES: RED 500-693168, WHITE 500-636118)**



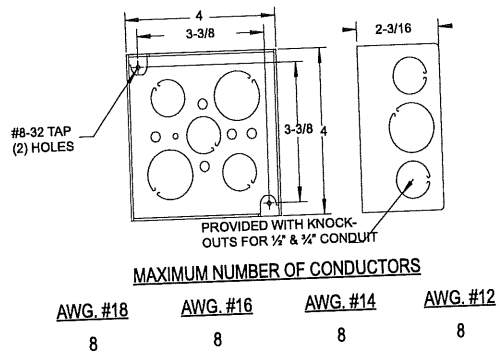
Used with Series SET, HS, MTH, MTWP. For surface mounting MT products.

**(J) BBS BACKBOX (ORDER CODES: RED 500-636110)**  
 Standard steel backbox with knockouts for interior surface mounting, concealed conduit mounting or semi-flush applications.



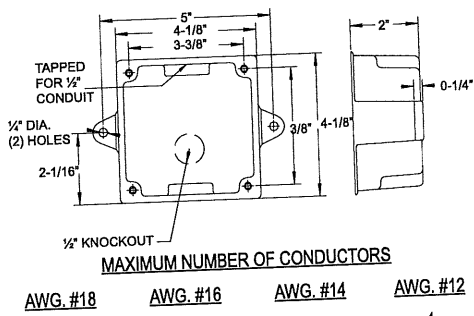
Used with Series MH115, B6, B10, AH, AS, MBDC, MTH-15-115, NH, NS, ST

**(N) DBBS BACKBOX (ORDER CODE: RED 500-636111)**  
 Standard steel backbox provided with knockouts for interior surface mounting, concealed conduit mounting or semi-flush applications.



Used with Series MH115, B6, B10, AH, AS, SETSF, HS, MBDC, MTH, NH, NS, ST

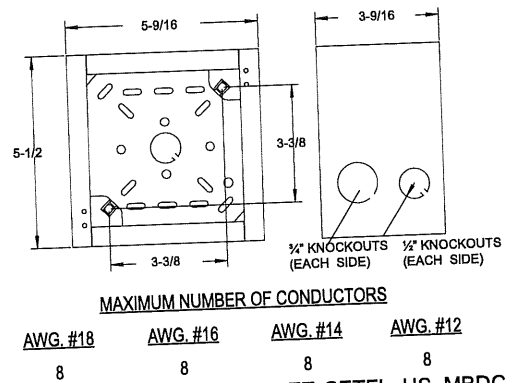
**(K) WBBS WEATHER RESISTANT BACKBOX (ORDER CODES: RED 500-636129, WHITE 500-636131)**  
 Sturdy die cast housing, threaded conduit hole and knockout for outdoor applications.



Used with Series MH115, B6, B10, SETSF, MBDC, MTH-15-115

**(P) SBBS BACKBOX (ORDER CODES: RED 500-636119, WHITE 500-636120)**

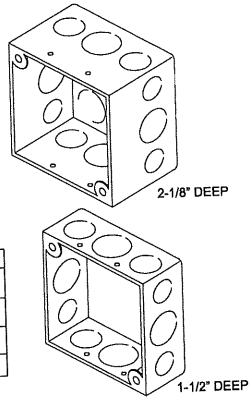
For surface mounting speakers, chimes, and electronic applications.



Used with Series B6, B10, CH, SEF, SET, SETFL, HS, MBDC, MTH, NH, NS, ST

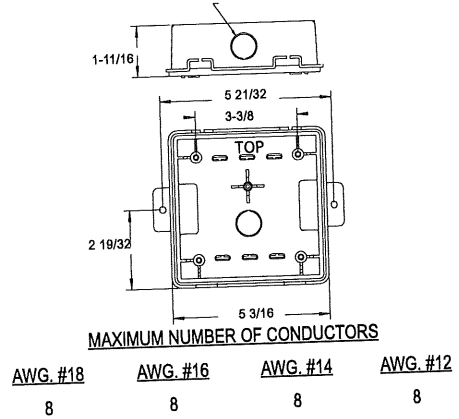
**(Q) 4" SQUARE DEEP W/ EXTENSION RING, FLUSH (BO)**

EXT. RING DEPTH	1-1/2"	2-1/8"
AWG. #18	8	8
AWG. #16	8	8
AWG. #14	8	8
AWG. #12	4	8



Used with Series CH, SEF, SET, SETFL

**(T) WPSBBS (ORDER CODES: RED 500-636139, WHITE 500-636140)**



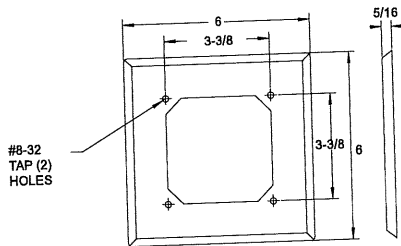
MAXIMUM NUMBER OF CONDUCTORS

AWG. #18	AWG. #16	AWG. #14	AWG. #12
8	8	8	8

Used with Series ST-WP

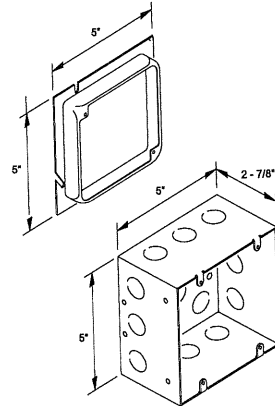
**(R) SFPS SEMI-FLUSH PLATE (ORDER CODES: RED 500-636124, WHITE 500-636125)**

Stamped aluminum surface wall plate which mounts behind the basic unit and serves to cover recessed backboxes in semi-flush mounting applications.



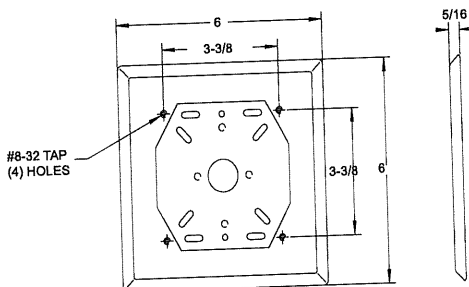
Used with Series MT, SET, SE, NH, NS, ST

**(U) 5" SQUARE BACKBOX W/ EXTENSION RING, FLUSH (BO)**



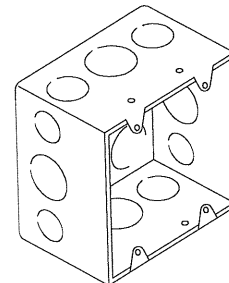
**(S) APS ADAPTER PLATE (ORDER CODE: RED 500-630109)**

Stamped aluminum adapter plate designed for applications where semi-flush installations cannot be used. The plate can be mounted to standard octagon or round backboxes single or double gang boxes or plaster rings. The backbox and basic unit are then fastened to the plate. This type mounting is referred to as a concealed conduit installation.



Used with Series MBDC

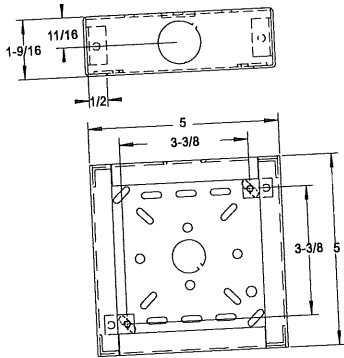
**(W) 4 1/16" SQUARE, DEEP SURFACE (BO)**



MAXIMUM NUMBER OF CONDUCTORS

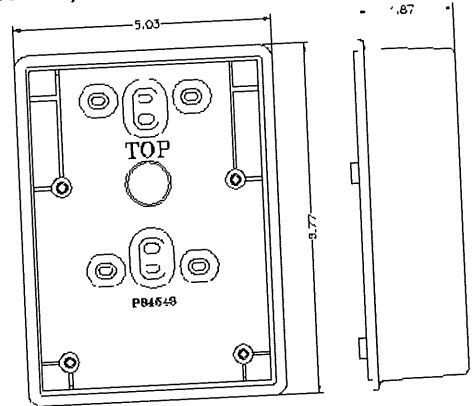
AWG. #18	AWG. #16	AWG. #14	AWG. #12
10	10	10	10

**(X) SHBBS SQUARE, SURFACE BACKBOX**  
 (Order Codes: Red 500-636126, White 500-636127)



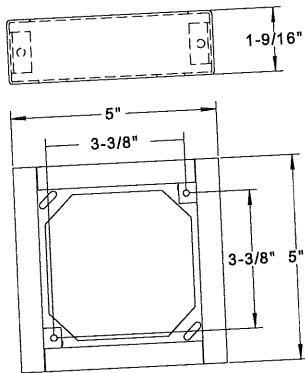
Used with Series AS, AH, NS, Z

**(BB) SPSSB (ORDER CODES: RED 500-636114, WHITE 500-636115)**



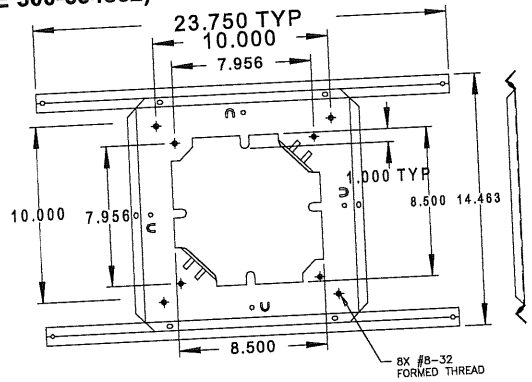
Used with Series SE-MC/HMC  
 (wall mount speaker/ strobe)

**(Y) SERS SQUARE SEMI-FLUSH EXTENSION RING (Order Codes: Red 500-636122, White 500-636123)**



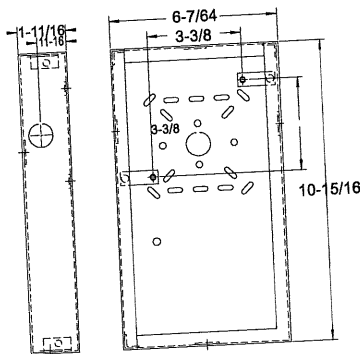
Used with Series CH, SEF, SET

**(CC) SB-W 8" CEILING SUPPORT BRIDGE (ORDER CODE: WHITE 500-634882)**

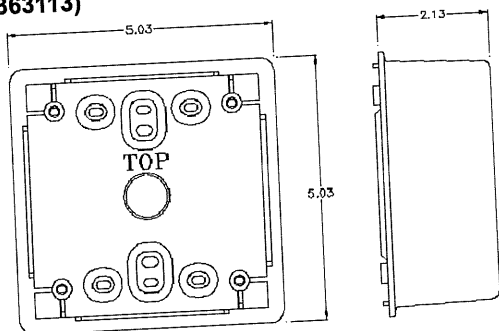


Used with Series S 8" Ceiling Speakers

**(Z) SBL2S BACKBOX (Order Codes: RED 500-636121)**

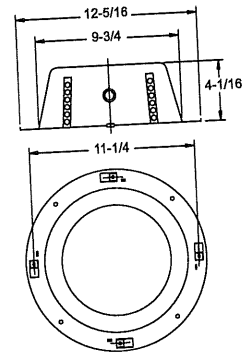


**(AA) SPSB (Order Codes: Red 500-636112, White 500-636113)**



Used with Series SE Speakers

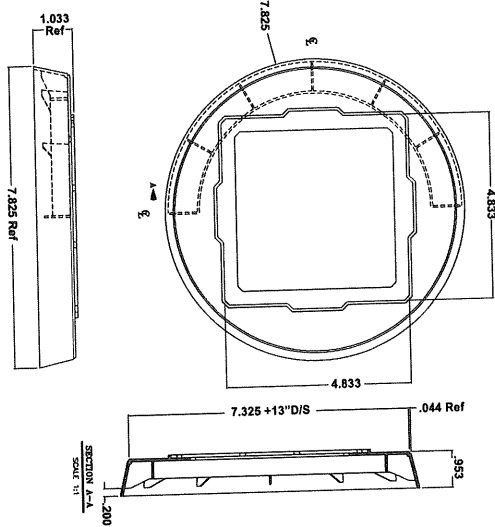
**(DD) SE-1 8" CEILING SPEAKER BACKBOX (ORDER CODE: WHITE: 500-634881)**



Used with 8" Ceiling Speakers

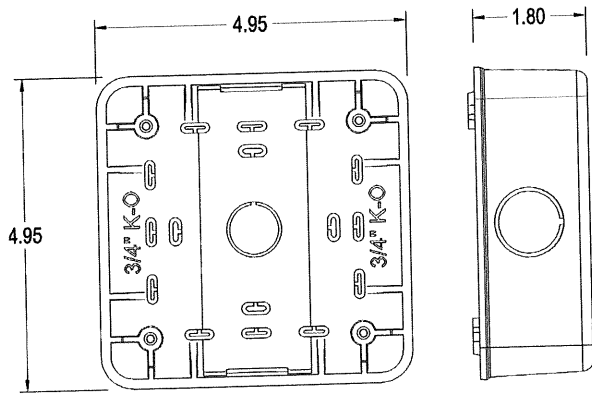


**(EE) SPEXT EXTENSION RING (ORDER CODE: RED 500-636116, WHITE 500-636117)**



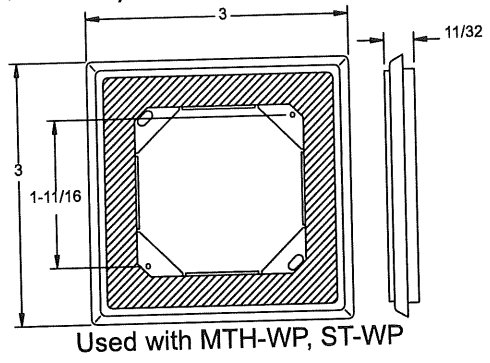
Used with Series SE-MC-C (ceiling mount strobe)

**(FF) ZBB (ORDER CODES: RED 500-636193, WHITE 500-636194)**

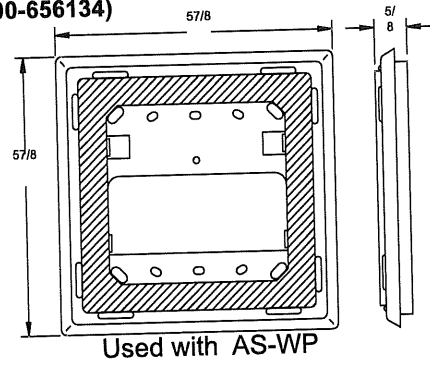


Used with Series Z

**(GG) WFPS PLATE (ORDER CODES: RED 500-636135, WHITE 500-636136)**



**(HH) WFPAS PLATE (Order Codes: Red 500-363133, White 500-656134)**



# MOUNTING MATRIX

	Series SET-C	Series ST	Series ST-MC-RETRO	Series MH115	Series SE	Series B10-115	Series CH	Series SETSF-B	Series SETSF	Series MBDC	Series SET/SET Wall Mount	Series SE-C	Series MH	Series MTH	Series NH/NS	Series HS	Series ASI/AH	Series AH-WB(3), MT-WP(4), MTH	Series Z
(A) Universal Mounting Plate (included with AS series devices)		X										X		X			X		X
(B) 1-GANG x 2" Deep - Flush (BO)		X	X	X		X			X					X	X		X		X
(D) 4" x 4" x 1.5" Deep - Flush (BO)		X	X	X	X	X		X	X				X	X	X	X	X		X
(E) 4" x 4" x 2.125 Deep - Flush (BO)		X											X	X	X	X	X		X
(F) 2-Gang x 3.5" Deep - Flush (BO)		X													X		X		
(G) 2-Gang x 1.75" Deep - Surface (BO)		X																	2
(I) WPBBS-R Weatherproof Backbox for AS-WP		X		X	X				X						X				
(J) BBS Surface (SP) Note 9				X	X			X	X								X		3
(K) WBBS Weatherproof (SP)										X									4
(M) MT-SUR-BOX Surface & Weatherproof (SP)		X	X	X	X			X	X		X		X	X	X	X	X		
(N) DBBS Surface (SP)	X	X				X	X	X	X	X			X	X	X	X	X		
(P) SBBS Surface (SP)	X	X						X	X		X	X							
(Q) 4" x 4" x 2.125" Box w/ 1.5" Extension Ring- Flush (BO)	X		X			X	X	X		X	X			X	X	X	X		
(R) SPT Semi-Flush Plate (SP)		X	X	X		X		X	X	X									
(S) APS Adapter Plate (SP)																			1
(T) WPSBBS-R Weatherproof Backbox for ST-WP	X						X	X				X							
(U) 5" Square Backbox w/ Extension Ring, Flush (BO)															X		X		
(W) 4.6875" x 4.6785" x 2.125" Deep Surface (BO)						X				X					X		X		
(X) SHBBS (SP) Shallow Surface			X			X				X									
(Y) SERSSemi-Flush Extension Ring (Retrofit Appl.)	X						X	X	X		X								
(Z) SBLs-2 Surface (SP)		X	X	X		X	X	X		X									
(AA) SPSB Backbox for SE Speaker					X														
(BB) SPSSB Backbox for SE Speaker Strobe					X							X							
(EE) SPEXT Extension Ring																			X
(FF) ZBB																			X

## MOUNTING NOTES

Caution: The mounting options figures show the maximum number of field wires (conductors) that can enter the backbox used with each mounting option. If these limits are exceeded, there may be insufficient space in the backbox to accommodate the field wires and stressors from the wires could damage the product.

Although the limits shown for each mounting option comply with the National Electrical code (NEC), Siemens recommends use of the largest backbox option and the use of approved field wires whenever possible, to provide additional wiring room for easy installation and minimum stress on the product from wiring.

Caution: Check that the installed product will have sufficient clearance and wiring room prior to installing backboxes and conduit, especially if sheathed multiconductor cable or 3/4" conduit fittings are used.

1. Mounting hardware for each mounting option is supplied.
2. Conduit entrances to the backbox should be selected to provide sufficient wiring clearance for the installed product. When extension rings are required, conduit should enter through the backbox, not the extension ring. Use Steel City #53151 (1-1/2" deep) or #53171 (2-1/8" deep) extension rings (as noted in the mounting options) or equal with the same cut-out area.

3. When terminating field wires, do not use more lead length than required. Excess lead length could result in insufficient wiring space for the appliance.
4. Use care and proper techniques to position the field wires in the backbox so that they use minimum space and produce minimum stress on the product. This is especially important for stiff, heavy gauge wires and wires with thick insulation or sheathing.
5. Do not pass additional wires (used for other than the appliance) through the backbox "unless the backbox is of a sufficient size to permit additional wiring as described in NEC 314.16 (B)". Such additional wires could result in insufficient wiring space for the appliance.

NOTE: Due to continuous development of our products, specifications and offerings are subject to change without notice in accordance with Siemens Inc. standard terms and conditions.

# BACKBOX MOUNTING HEIGHTS for SIEMENS WALL MOUNTED HORIZONTAL STROBE APPLIANCES NFPA-72 (2007)

7.5.4.1\* Wall-mounted appliances shall be mounted such that the entire lens is not less than 2030 mm (80 in.) and not greater than 2440 mm (96 inc.) above the finished floor or at the mounting height specified using the performance-based alternative 7.5.4.5

7.5.4.2 Where low ceiling heights do not permit mounting at a minimum of 2030 mm (80 in.), visible appliances shall be mounted within 150 mm (6 in.) of the ceiling. The room size covered by a strobe of a given value shall be reduced by twice the difference between the minimum mounting height of 2030 mm (80 inc.) and the actual, lower mounting height.

Backbox Mounting Options*	Series AS/AH Audible Strobe		Series ST-MC-RETRO Flush and Surface Retrofit Plate		Series NS Horn Strobe		Series Z and ST Strobe		Series MTH Multitone	
	80 IN	6 IN	80 IN	6 IN	80 IN	6 IN	80 IN	6 IN	80 IN	6 IN
(B) 1-Gang x 2" Deep - Flush (BO)	77 1/2"	8 1/2"			78 3/8"	7 5/8"	79 1/8"	6 7/8"		
(D) 4" x 4" x 1.5" Deep - Flush (BO)	77"	9"	83 15/16"		77 7/8"	8 1/8"	78 5/8"	7 3/8"	79 15/16"	6 1/16"
(E) 4" x 4" x 2.125" Deep - Flush (BO)	77"	9"	83 15/16"		77 7/8"	8 1/8"	78 5/8"	7 3/8"	79 15/16"	6 1/16"
(F) 2-Gang x 3.5" Deep - Flush (BO)	77 1/2"	8 1/2"			78 3/8"	7 5/8"	79 1/8"	6 7/8"	80 9/16"	5 7/16"
(G) 2-Gang x 1.75" Deep - Surface (BO)	77 1/2"	8 1/2"			78 3/8"	7 5/8"	79 1/8"	6 7/8"	80 9/16"	5 7/16"
(M) MT-SUR-BOX Surface & Weatherproof (SP)									79 3/8"	6 5/8"
(P) SBBS Surface (SP)									79 1/4"	6 3/4"
(Q) 4" x 4" x 2.125" Box w/ 1.5" Extension Ring - Flush (BO)										
(U) 5" Square Backbox w/ Extension Ring, Flush (BO)	69 1/2"	8 1/2"	83 7/16"		77 3/8"	7 5/8"	78 1/8"	6 7/8"	79 7/16"	5 9/16"
(X) SHBBS (SP) Shallow Surface	76 1/2"	9 1/2"			77 3/8"	8 5/8"	78 1/8"	7 7/8"		
(Y) 4" x 4" x 1.5" Box w/ 1.5" Extension Ring Plate (BO)										
(Z) SBL2S Surface (SP)			78"							
(FF) ZBB							78 1/8"	7 7/8"		

Backbox Mounting Options*	Series CH Chime Strobe		Series SET-V Speaker Strobe		Series SEF-C Speaker Strobe		Series SET-C Speaker Strobe	
	80 IN	6 IN	80 IN	6 IN	80 IN	6 IN	80 IN	6 IN
(P) SBB Surface (SP)	77 3/4"	8 1/4"	79 3/16"	6 13/16"	77 3/4"	8 1/4"	77 3/4"	8 1/4"
(Q) 4" x 4" x 2.125" Box w/ 1.5" Extension Ring - Flush (BO)	77 1/2"	7 1/2"	80	6"	78 1/2"	7 1/2"	78 1/2"	7 1/2"
(U) 5" Square Backbox w/ Extension Ring - Flush (BO)	78"	7"	79 1/2"	5 1/2"	78"	7"	78"	7"
(X) SHBB (SP) Shallow Surface								
(Y) 4" x 4" x 1.5" Box w/ 1.5" Extension Ring Plate - Flush (BO)	78 1/2"	7 1/2"	80"	6"				

\* Measured from Bottom of Backbox

NOTES: (BO) = By Others (SP) = Siemens Product

**WARNING:** PLEASE READ THESE SPECIFICATIONS AND INSTALLATION INSTRUCTIONS CAREFULLY BEFORE USING, SPECIFYING OR APPLYING THIS PRODUCT. FAILURE TO COMPLY WITH ANY OF THESE INSTRUCTIONS, CAUTIONS AND WARNINGS COULD RESULT IN IMPROPER APPLICATION, INSTALLATION AND/OR OPERATION OF THESE PRODUCTS IN AN EMERGENCY SITUATION, WHICH COULD RESULT IN PROPERTY DAMAGE, AND SERIOUS INJURY OR DEATH TO YOU AND/OR OTHERS.

 **FARADAY**

Siemens Building Technologies, Inc.  
8 Fernwood Road • Florham Park, NJ 07932  
Tel: (973) 593-2600 • Fax: (973) 593-6670  
Web: [www.faradayfirealarms.com](http://www.faradayfirealarms.com)

8/07 2M SBT/IG

August 2007 - New Issue

## Sequence of Operations

	Audio/visual activation	Activate audible/visual signal at FACP & Annunciator	Device Description at FACP & Annunciator	Shutdown of HVAC equipment	Log event in system history	Activate Elevator Fire Hat	Activate Elevator primary or secondary control	Activate Elevator shunt trip	Silence of audible devices including FACP & annunciator	Release door holders	Release locked doors	Event acknowledgement	Reset of all system functions and all visual devices	Remote transmission to Central Station A=alarm; T=trouble; S=Supervisory; L = log only	Remote indicator
Manual Pull Stations	X	X	X		X					X	X			A	
Smoke detectors common area	X	X	X		X					X	X			A	
Smoke detectors elevator lobbies	X	X	X		X		X			X	X			A	
Smoke Detectors elevator shaft/machine room	X	X	X	X	X	X	X			X	X			S	X
Duct mounted Smoke Detectors		X	X	X	X					X	X			A	
Heat Detectors common area	X	X	X		X					X	X			A	
Heat Detectors Elevator shaft/machine room	X	X	X		X	X		X		X	X			A	
Sprinkler flow or pressure switches	X	X	X		X					X	X			S	
Sprinkler Tamper, low temp, or low air		X	X		X					X	X			A	
Secondary fire panel such as kitchen hood	X	X	X		X				X					L	
FACP/annunciator silence button		X	X		X				X			X			
FACP/annunciator acknowledge button		X	X		X								X	L	
FACP/annunciator reset button		X	X		X									T	
Removal of any device		X	X		X									T	
Ground fault		X	X		X									T	
System wiring "open"		X	X		X									T	
AC Power loss		X	X		X									T	
Secondary power loss		X	X		X									T	
Telephone line loss		X	X		X									T	

**NO  
EXCUSES!**



## Fire Alarm Control Unit (FACU) Records & Document Box

The Space Age FDB has been developed to be a code compliant solution to a mandated item specified by the National Fire Code (NFPA 72).

An internal galvanized sleeve holds the documents safely and securely. Access to the documents is via a high security CAT 30 Lock Set.

The galvanized sleeve also contains 2 hooks for key rings or thumb drives, a place for several business cards, a cutout for a 1.4 Oz. can of test gas and a slot where a standard CD "jewel" case can be stored.

Held in by two "wing nuts" the sleeve is easily removable to allow storage of a 1.5" 3 ring binder.

The door reads "FACU MAINTENANCE RECORDS" in 1" tall white lettering. Custom Logo and Lock Sets are available upon request.

NFPA 72 section 6.2.2.1 states, "A record of installed software and firmware version numbers shall be maintained at the location of the fire alarm control unit." The FDB is large enough to hold Operating Manuals, Permits, Shut-Down Instructions and more.

### Standard Features:

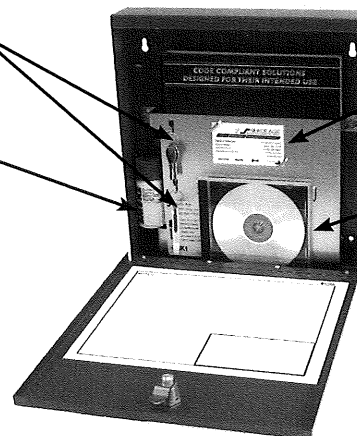
- Overall Dimensions are:  
12" Wide x 13.1" High x 2.25" Deep
- CAT 30 Secured Locking Door
- Piano Hinged Door w/Notes Sticker
- Removable document holder can hold 1" of 8.5" x 11" paperwork
- Powder Coat Red Finish
- 16 Gauge CRS construction
- Embossed:  
Key Ring Hooks  
Business Card Holder  
CD Case Slot
- 1.4 Oz. can of detector test gas
- Private labeling available

Key Ring  
Hooks

Canned  
Smoke

Business  
Card Holder

CD Jewel  
Case



ISO 9001  
REGISTERED  
COMPANY



**ACEBOX**

Space Age Electronics, Inc.  
www.1sae.com  
800.486.1723 Toll Free  
508.485.0966 Local  
508.485.4740 Fax



# MPC-6000

Quantity	Part #	Description	Standby	Alarm	Total standby	Total alarm
1	MPC-6000	Fire Panel	0.190	0.190	0.190	0.190
	RDC-2	Annunicator	0.020	0.085	0.000	0.000
	RS-485	Graphic driver	0.005	0.085	0.000	0.000
1	MPC-DACT	Dialer	0.038	0.054	0.038	0.054
	CT-1K	City Tie Module	0.007	0.020	0.000	0.000
	SRU-2	Relay card	0.032	0.192	0.000	0.000
	SRE-8	Relay expander	0.000	0.160	0.000	0.000
	SLU-2	Annunicator card	0.018	0.040	0.000	0.000
	SLE-16	Annunicator card expander	0.005	0.000	0.000	0.000
	8700-Series	Pull Station	0.001	0.001	0.000	0.000
6	8701	Mini Module	0.001	0.001	0.006	0.006
	8702	Single input module	0.001	0.001	0.000	0.000
	8703	Dual Module	0.001	0.001	0.000	0.000
	8704	Relay module	0.001	0.001	0.000	0.000
	8705	Conventional (34mA aux)	0.001	0.001	0.000	0.000
	8706	NAC module	0.001	0.001	0.000	0.000
1	8709	Isolator module	0.001	0.001	0.001	0.001
	8710	Smoke	0.001	0.001	0.000	0.000
1	8713	Smoke FireSmart	0.001	0.001	0.001	0.001
	8712	Heat	0.001	0.001	0.000	0.000
	8853	Basic base	0.001	0.001	0.000	0.000
	8715	Audible base	0.001	0.001	0.000	0.000
	8743	Duct Detector	0.001	0.001	0.000	0.000
	8713	Duct smoke	0.001	0.001	0.000	0.000
	8704	Duct relay	0.001	0.001	0.000	0.000
	8730	Duct Remote	0.001	0.001	0.000	0.000
	8727	Remote light	0.001	0.001	0.000	0.000
			0.000	0.000	0.000	0.000
			0.000	0.000	0.000	0.000
1		NAC power maximum	0.000	6.000	0.000	6.000
					0.000	0.000
					0.000	0.000
					0.000	0.000
		Miscellaneous			0.000	0.000
<b>TOTAL</b>			<b>0.333</b>	<b>6.844</b>	<b>0.236</b>	<b>6.252</b>

	Hours	Standby current		Total
	24	0.2360		5.664
Minutes		Alarm current		
5	0.08333333	6.2520		0.521
		Battery Capacity		
	20%	6.1850		<b>7.422</b>



## High Security Industrial/Government Key Box

Recessed Mount  
 with Face Flange



Surface Mount



The number one high-security KNOX-BOX® is used for most commercial applications including businesses, schools, government and public buildings, community associations and apartment complexes. The 3200 Series KNOX-BOX holds keys, access cards and other small items necessary for emergency access.

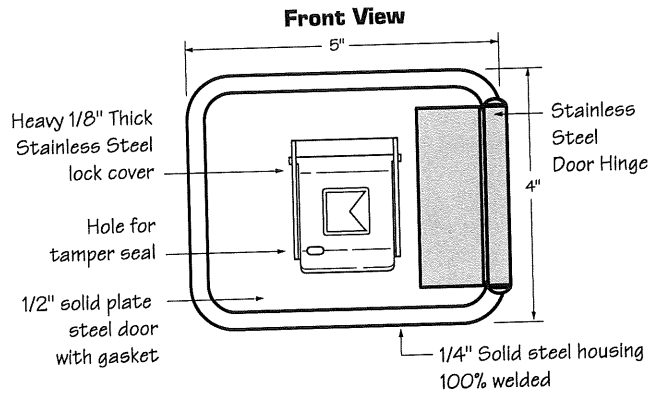
The hinged-door 3200 Series KNOX-BOX is more convenient than the lift-off door version because it allows single-handed operation and opened or closed, it's all one unit.

### Features and Benefits

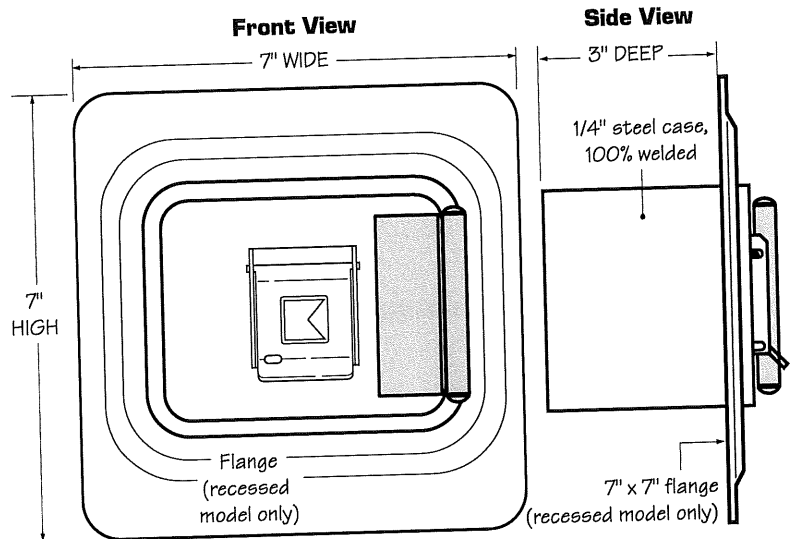
- Holds up to 10 keys or 1 access card in interior compartment
- Ensures high security. Box and lock are UL® Listed
- Includes a Knox-Coat® proprietary finishing process that protects Knox products up to four times better than standard powder coat
- Resists moist conditions with a weather resistant door gasket
- Hinged door allows single-handed operation
- Colors: Black, Dark Bronze or Aluminum
- Weight: Surface mount - 8 lbs.  
 Recessed mount - 9 lbs.

### Options

- Alarm tamper switches (UL Listed)
- Additional rust and corrosion protection (Aluminization)
- Recessed Mounting Kit (RMK) for recessed models only
- Inside switch for use on electrical doors, gates and other electrical equipment



**3200 Surface Mount**



**3200 Recessed Mount**

### Ordering Specifications

**To insure procurement and delivery of the 3200 Series KNOX-BOX, it is suggested that the following specification paragraph be used:**

**KNOX-BOX** surface/recessed mount with hinged door, with/without UL Listed tamper switches. 1/4" plate steel housing, 1/2" thick steel door with interior gasket seal and stainless steel door hinge. Box and lock UL Listed. Lock has 1/8" thick stainless steel dust cover with tamper seal mounting capability.

Exterior Dimensions: Surface mount body- 4"H x 5"W x 3 1/4"D  
 Recessed mount flange- 7"H x 7"W

Lock: UL Listed. Double-action rotating tumblers and hardened steel pins accessed by a biased cut key.

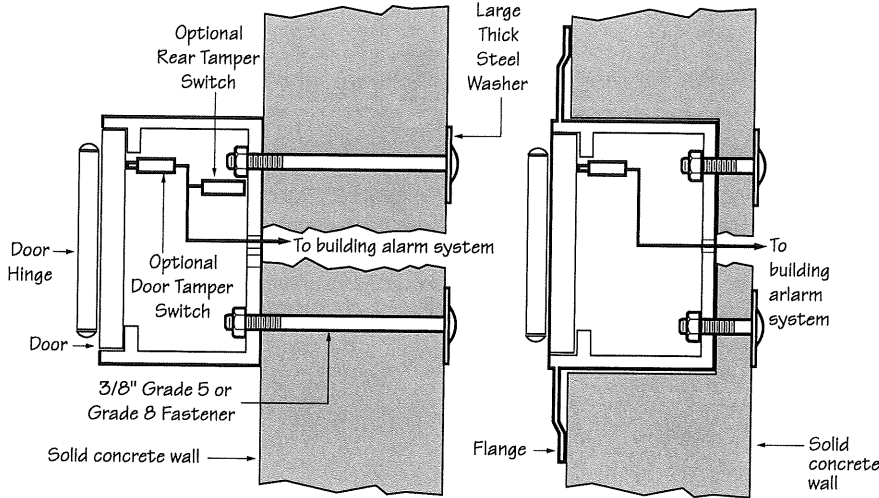
Finish: Knox-Coat® proprietary finishing process

Colors: Black, Dark Bronze or Aluminum

P/N: 3200 Series KNOX-BOX (mfr's cat. ID)

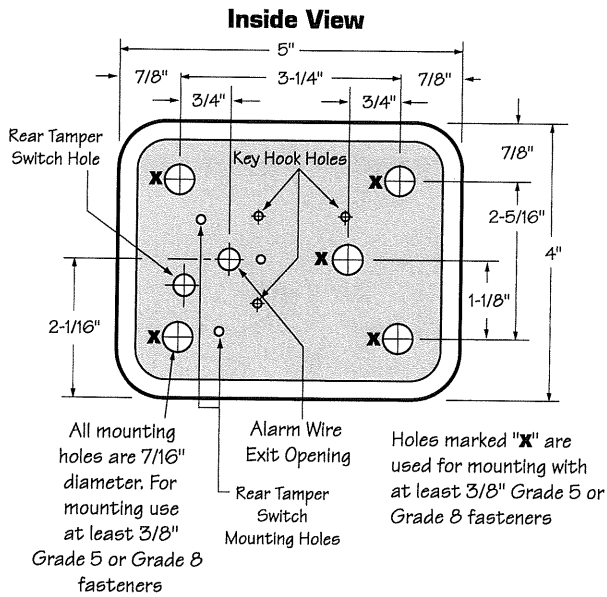
Mfr's Name: **KNOX COMPANY**

**Suggested minimum mounting height  
6 feet above ground**



**3200 Series Hinged Door  
Surface Mount**

**3200 Series Hinged Door  
Recess Mount**



**Attention: KNOX-BOX® is a very strong device that MUST be mounted properly to ensure maximum security and resist physical attack.**

**Knox® Rapid Entry System**

The Knox Company manufactures a complete line of high security products including Knox-Box key boxes, key vaults, cabinets, key switches, padlocks, locking FDC caps, plugs and electronic master key security systems. For more information or technical assistance, please call Customer Service at 1-800-552-5669.

**Recessed Mounting Kit**

The 3200 Recessed Mounting Kit (RMK) is used for recessed models only. It contains a shell housing and mounting hardware to be cast-in-place in new concrete or masonry construction. After construction is completed, the KNOX-BOX mounts inside the RMK. The RMK may only be used in new concrete or masonry construction.

**Installation In Cast Concrete**

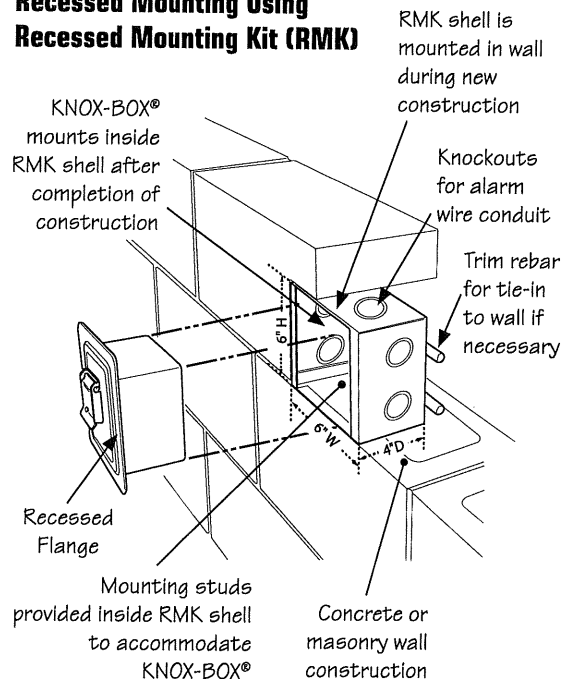
The optional Recessed Mounting Kit is for use in new concrete or masonry construction only. The kit includes a shell housing and mounting hardware to be cast-in-place. The KNOX-BOX is mounted into the shell housing after construction is completed.

**Dimensions**

Rough-in Dimensions: 6-1/2"H x 6-1/2"W x 5"D

**IMPORTANT:** Care should be taken to insure that the front of the RMK shell housing, including the cover plate and screw heads, is flush with the finish wall. The RMK must be plumbed to insure vertical alignment of the vault.

**Recessed Mounting Using  
Recessed Mounting Kit (RMK)**





# CITY OF PORTLAND, MAINE

## Division of Building Inspections

### Original Receipt

Jan 28 20 11

Received from Anthony Mancini

Location of Work 501 Danforth

Cost of Construction \$ \_\_\_\_\_ Building Fee \$ \_\_\_\_\_

Permit Fee \$ \_\_\_\_\_ Site Fee \$ \_\_\_\_\_

Certificate of Occupancy Fee \$ \_\_\_\_\_

**Total:** \_\_\_\_\_

Building (IL)  Plumbing (I5) \_\_\_\_\_ Electrical (I2) \_\_\_\_\_ Site Plan (U2) \_\_\_\_\_

Other \_\_\_\_\_

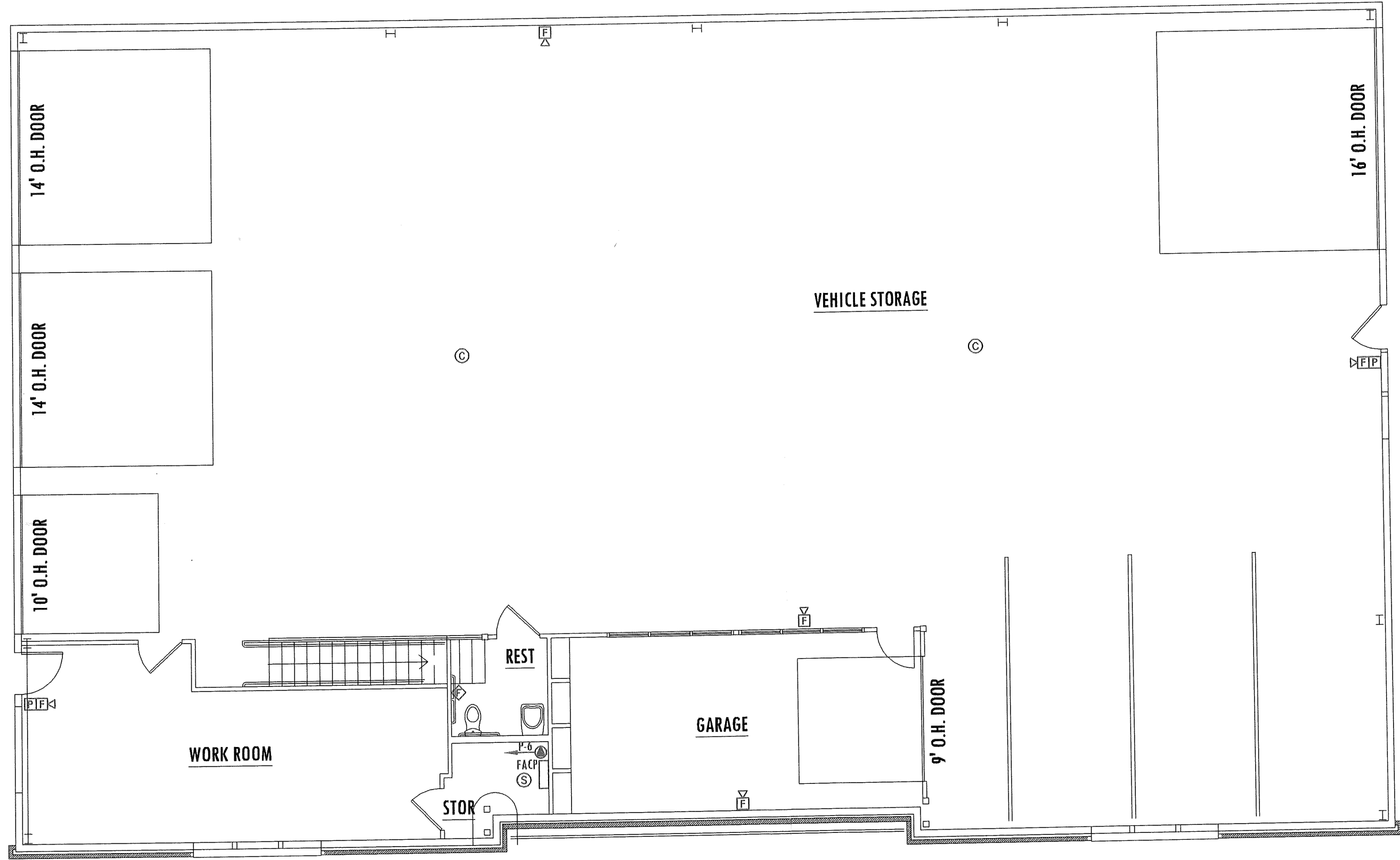
CBL: 070 002

Check #: 13814 Total Collected 60.00

**No work is to be started until permit issued.**

**Please keep original receipt for you records.**

Taken by: [Signature]



**Anthony Mancini, Inc.**  
 179 Sheridan Street  
 Portland, Maine 04101  
 (207) 774-5829 Fax: (207) 772-1686

NO.	DATE	DESCRIPTION

Accessory Building  
 501 Danforth Street  
 Portland, Maine

**Fire Alarm Layout**

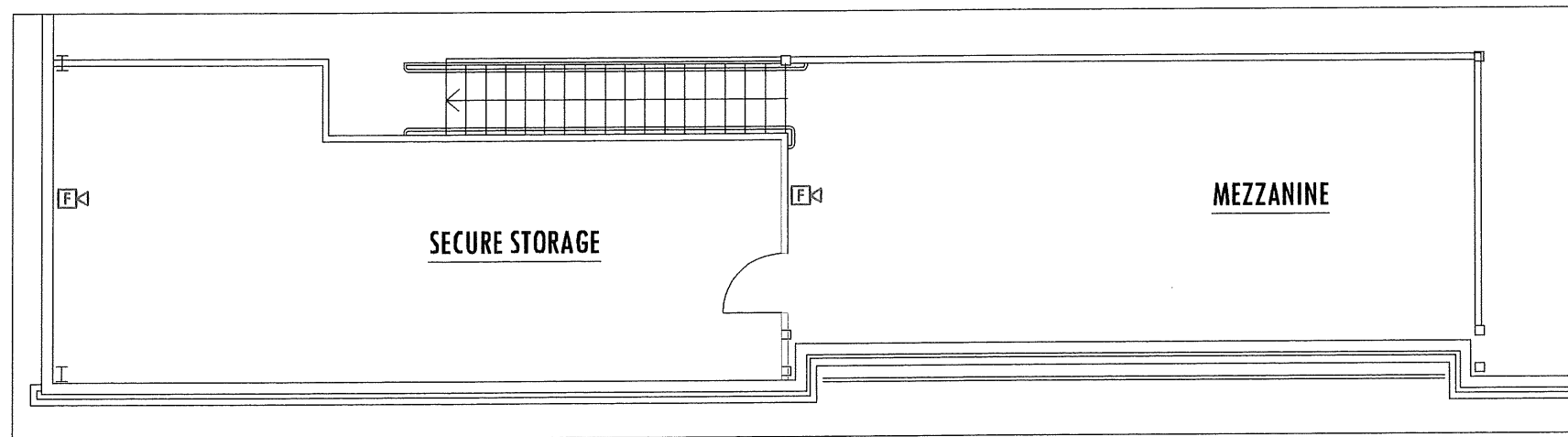
Date: 06.24.2010  
 Scale: 1/8" = 1'-0"

**FAI**

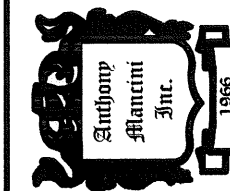


# FIRE ALARM LEGEND

- P FIRE ALARM MANUAL PULL STATION - MOUNT 48" AFF TO TOP OF BOX
- ▽  
F FIRE ALARM HORN AND STROBE UNIT - MOUNT 84" AFF TO TOP OF BOX OR 6" BELOW CEILING, WHICH EVER IS LOWER
- ◇  
F FIRE ALARM SYSTEM STROBE UNIT - MOUNT ABOVE DOOR - MOUNT 84" AFF TO BOTTOM OF BOX OR 6" BELOW CEILING, WHICH EVER IS LOWER
- S SMOKE DETECTOR - CEILING MOUNTED
- C CARBON MONOXIDE DETECTOR - CEILING MOUNTED
- FACP FIRE ALARM CONTROL PANEL



**Anthony Mancini, Inc.**  
 179 Sheridan Street  
 Portland, Maine 04101  
 (207) 774-5829 Fax: (207) 772-1686



NO.	DATE	DESCRIPTION

Accessory Building  
 501 Danforth Street  
 Portland, Maine  
**Fire Alarm Layout**

Date: 06.24.2010  
 Scale: 1/8" = 1'-0"

# FA2