

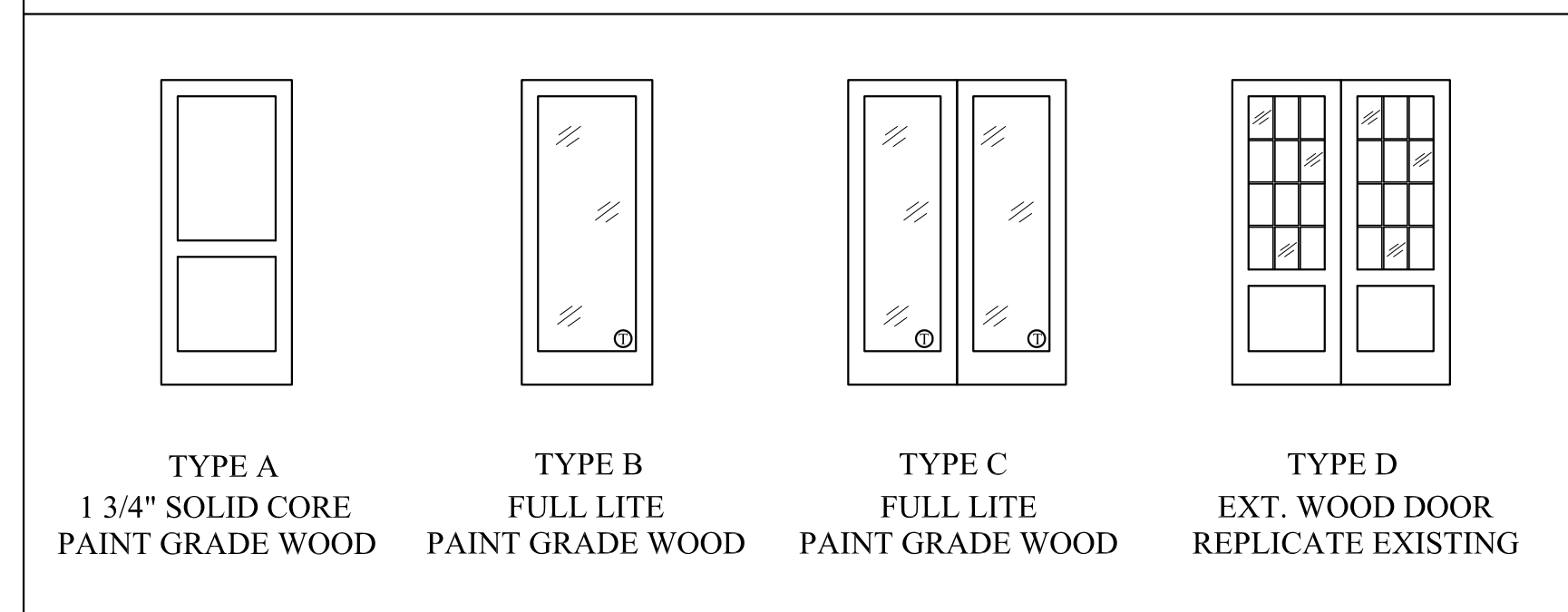
## FINISH SCHEDULE

ROOM #	ROOM NAME	FLOOR	BASE	WALL	CEILING	NOTES
101	OFFICE	CARPET TILE #2	PTD. WOOD	PTD. GYP	EXISTING	
102	OFFICE	CARPET TILE #2	PTD. WOOD	PTD. GYP	EXISTING	
103	OFFICE	CARPET TILE #2	PTD. WOOD	PTD. GYP	EXISTING	
104	CORRIDOR	CARPET TILE #1	PTD. WOOD	PTD. GYP	EXISTING	
105	CONF. ROOM	CARPET TILE #3	PTD. WOOD	PTD. GYP	EXISTING	
106	FILES	CARPET TILE #1	PTD. WOOD	PTD. GYP	EXISTING	
107	RESTROOM	CERAMIC TILE	PTD. WOOD	PTD. GYP	EXISTING	
108	STORAGE	CARPET TILE #1	PTD. WOOD	PTD. GYP	EXISTING	
109	KITCHEN	CERAMIC TILE	PTD. WOOD	PTD. GYP	EXISTING	
110	CORRIDOR	CERAMIC TILE	PTD. WOOD	PTD. GYP	EXISTING	
111	VESTIBULE	CERAMIC TILE	PTD. WOOD	PTD. GYP	EXISTING	
112	LOBBY	CARPET TILE #1	PTD. WOOD	PTD. GYP	EXISTING	
113	RECEPTION	CARPET TILE #1	PTD. WOOD	PTD. GYP	EXISTING	
114	PLAN ROOM	CARPET TILE #1	PTD. WOOD	PTD. GYP	EXISTING	
115	OFFICE	CARPET TILE #2	PTD. WOOD	PTD. GYP	EXISTING	
116	CORRIDOR	CARPET TILE #1	PTD. WOOD	PTD. GYP	EXISTING	
117	BATHROOM	CERAMIC TILE	PTD. WOOD	PTD. GYP	EXISTING	
118	MEETING	CARPET TILE #3	PTD. WOOD	PTD. GYP	EXISTING	
119	OFFICE	CARPET TILE #2	PTD. WOOD	PTD. GYP	EXISTING	
201	OFFICE	CARPET TILE #2	PTD. WOOD	PTD. GYP	EXISTING	
202	OFFICE	CARPET TILE #2	PTD. WOOD	PTD. GYP	EXISTING	
203	CORRIDOR	CARPET TILE #1	PTD. WOOD	PTD. GYP	EXISTING	
204	BATHROOM	CERAMIC TILE	PTD. WOOD	PTD. GYP	EXISTING	
205	OFFICE	CARPET TILE #2	PTD. WOOD	PTD. GYP	EXISTING	
206	OFFICE	CARPET TILE #2	PTD. WOOD	PTD. GYP	EXISTING	
ST1	STAIR	CARPET RUNNER	--	PTD. GYP	EXISTING	
ST2	STAIR	EXISTING	--	PTD. GYP	EXISTING	FIX MISSING PORTION OF CEILING

## DOOR SCHEDULE

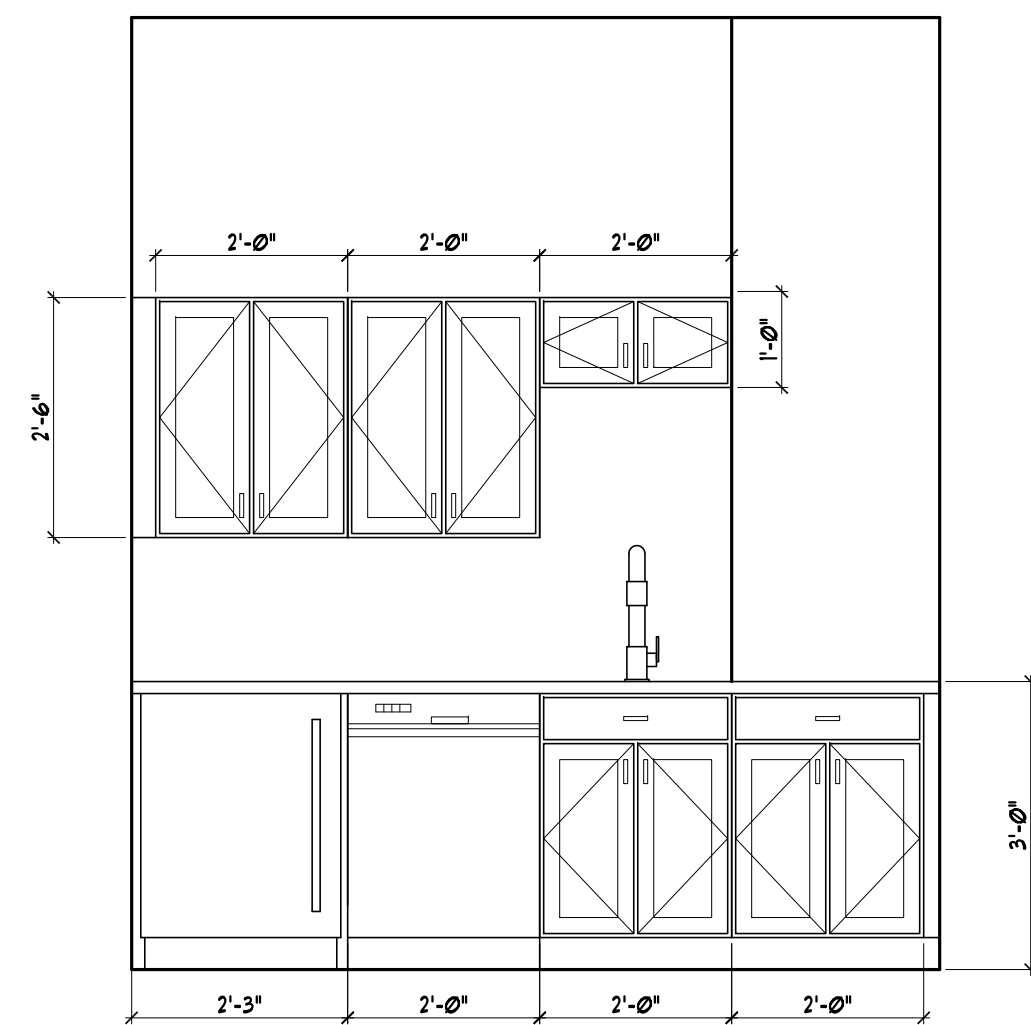
DOOR NO.	SIZE W x H x T	DOOR			THRESH	FRAME		NOTES
		TYPE	MATERIAL	FINISH		MATERIAL	FINISH	
01	3'-0" x 7'-0" x 1 3/4"	A	SCW	PTD	-	WD	PDT	
02	3'-0" x 7'-0" x 1 3/4"	B	SCW	PTD	-	WD	PDT	
03	3'-0" x 7'-0" x 1 3/4"	A	SCW	PTD	-	WD	PDT	
04	3'-0" x 7'-0" x 1 3/4"	A	SCW	PTD	-	WD	PDT	
05	3'-0" x 7'-0" x 1 3/4"	A	SCW	PTD	-	WD	PDT	PANIC HARDWARE
06	NO DOOR							
07	EXISTING							
08	3'-0" x 7'-0" x 1 3/4"	A	SCW	PTD	-	WD	PDT	
09	3'-0" x 7'-0" x 1 3/4"	A	SCW	PTD	-	WD	PDT	
10	3'-0" x 7'-0" x 1 3/4"	A	SCW	PTD	-	WD	PDT	
11	3'-0" x 7'-0" x 1 3/4"	B	SCW	PTD	-	WD	PDT	
12	5'-0" x 7'-0" x 1 3/4"	D	SCW	PTD	WD	WD	PDT	REPLICATE EXISTING
13	5'-0" x 7'-0" x 1 3/4"	C	SCW	PTD	-	WD	PDT	
14	3'-0" x 7'-0" x 1 3/4"	B	SCW	PTD	-	WD	PDT	
15	3'-0" x 7'-0" x 1 3/4"	B	SCW	PTD	-	WD	PDT	
16	3'-0" x 7'-0" x 1 3/4"	B	FIBERGLASS		ALUM.	HM	PDT	EXTERIOR DOOR
17	3'-0" x 7'-0" x 1 3/4"	B	SCW	PTD	-	WD	PDT	
18	3'-0" x 7'-0" x 1 3/4"	A	SCW	PTD	-	WD	PDT	
19	3'-0" x 7'-0" x 1 3/4"	B	SCW	PTD	-	WD	PDT	
20	3'-0" x 7'-0" x 1 3/4"	A	SCW	PTD	-	WD	PDT	
21	EXISTING							
22	RELOCATE EXISTING DOOR AND FRAME							
23	EXISTING							
24	RELOCATE EXISTING DOOR AND FRAME							
25	EXISTING							
26	EXISTING							

## DOOR TYPES

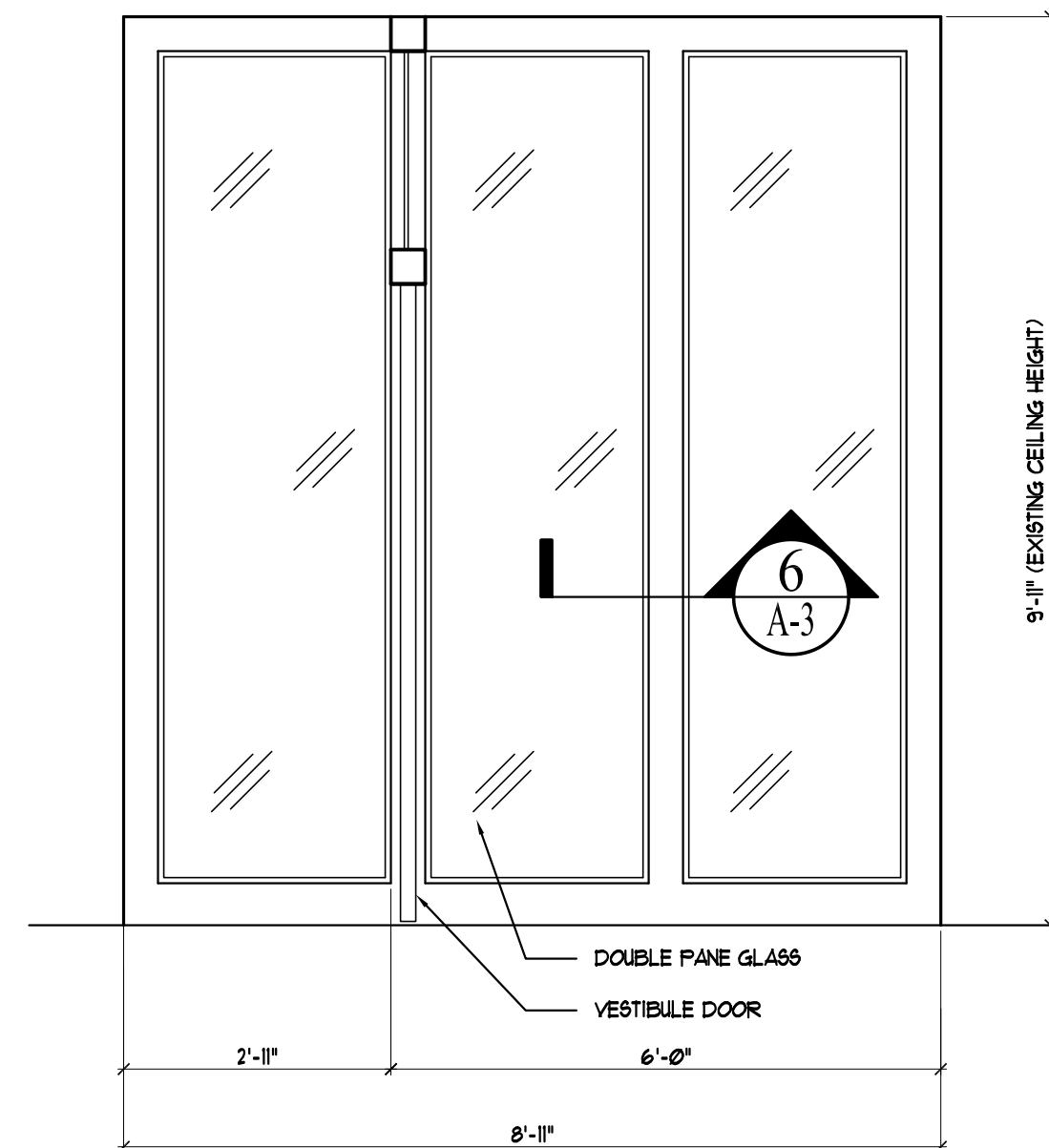


## FINISH KEY

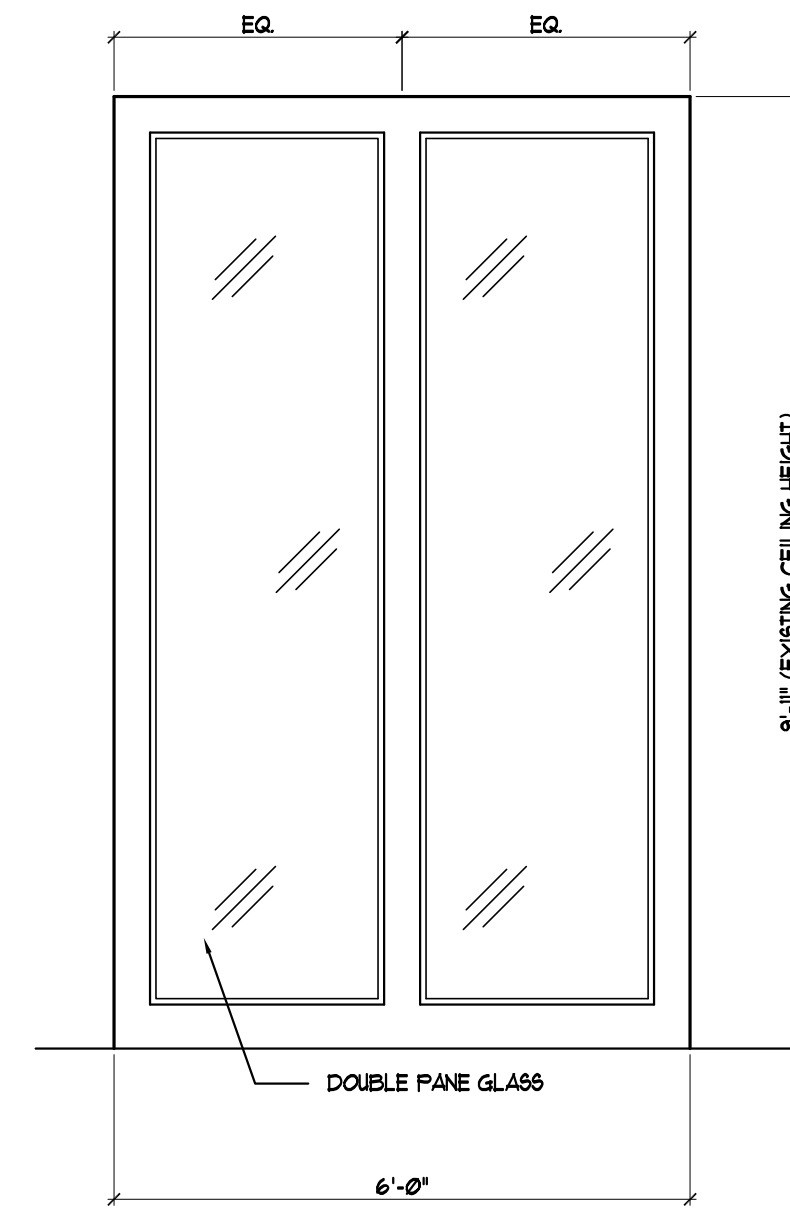
CERAMIC TILE-	Dal Tile "Ayers Rock" 13" x 20"
CARPET TILE #1-	Mannington "Micro Strie"
CARPET TILE #2-	Shaw "Tru Colors"
CARPET TILE #3-	Mannington "Bark"
VCT-	Mannington "Solid Point"
CARPET RUNNER	Mannington "Typeset"



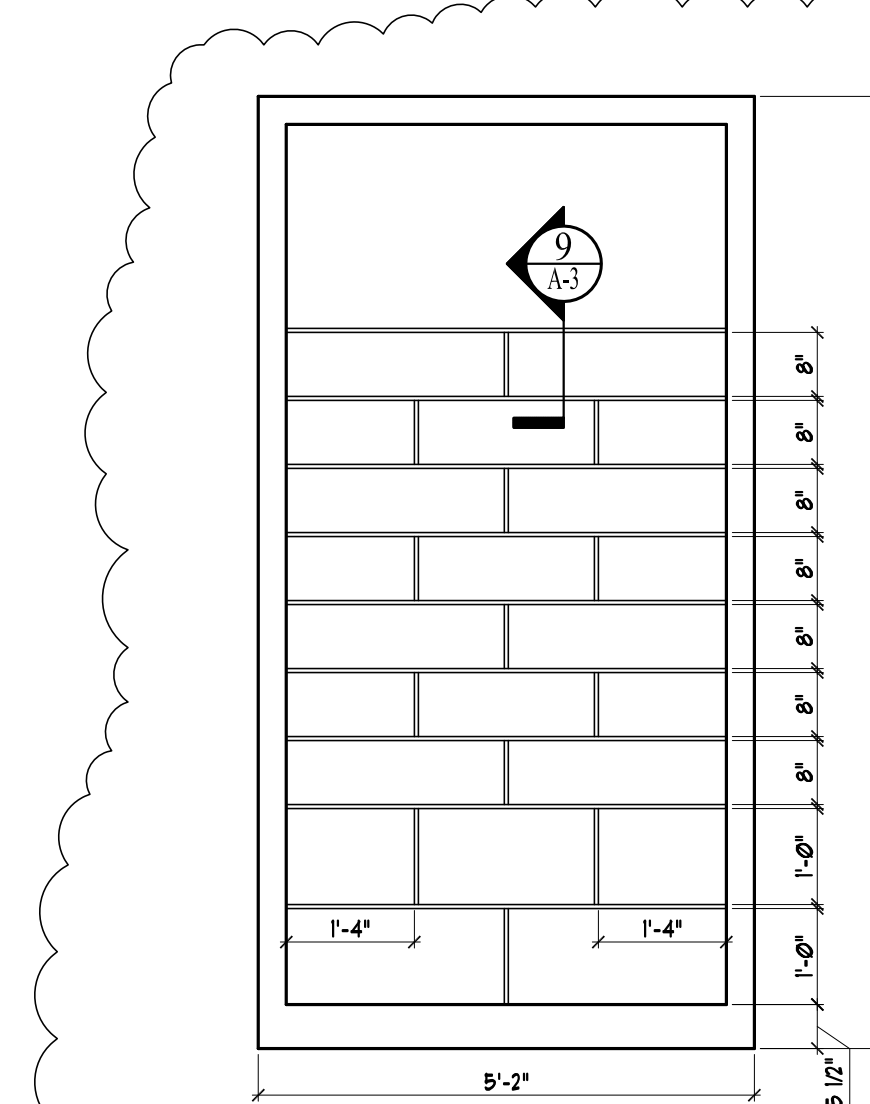
1 | KITCHEN 109 ELEVATION  
SCALE: 1/2"=1'-0"



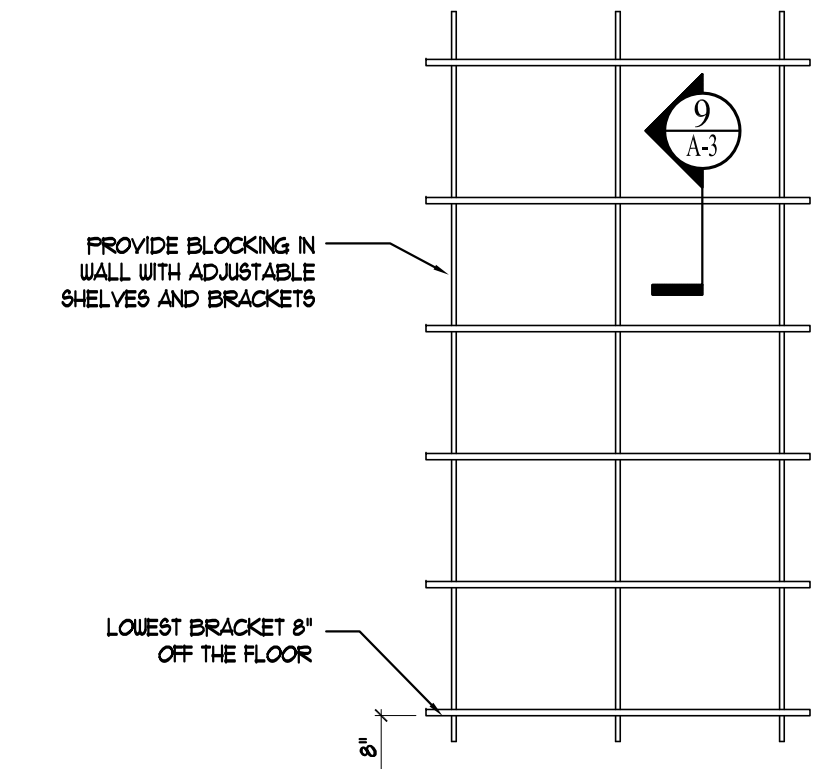
2 | GLASS WALL ELEVATION  
SCALE: 1/2"=1'-0"



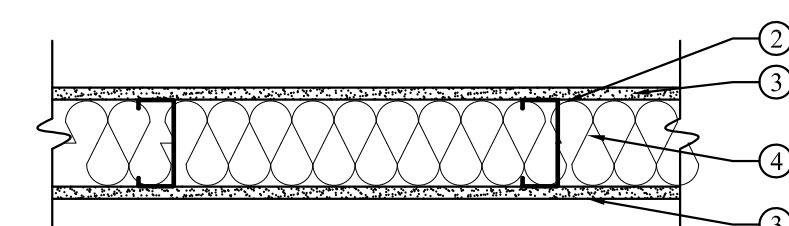
3 | GLASS WALL ELEVATION  
SCALE: 1/2"=1'-0"



7 | DRAWING STORAGE ELEVATION  
SCALE: 1/2"=1'-0"



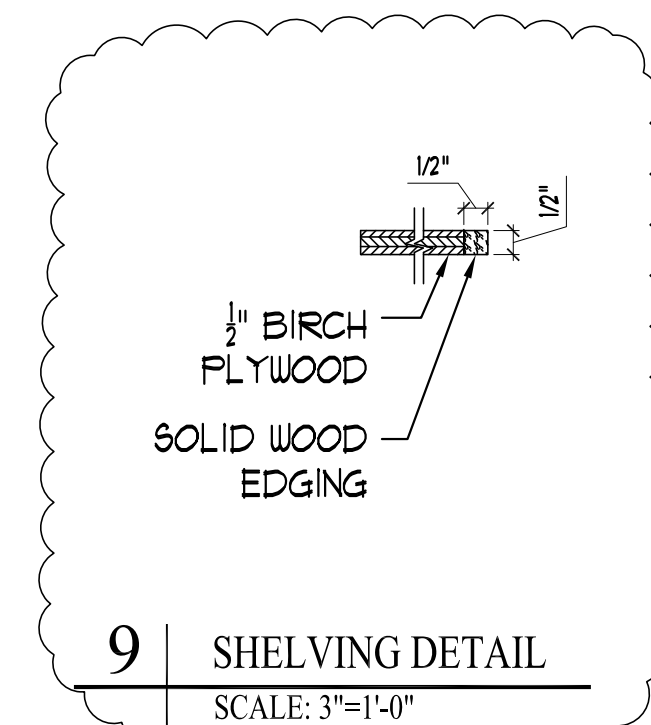
8 | SHELVING ELEVATION  
SCALE: 1/2"=1'-0"



W1 | TYPICAL UNRATED INTERIOR PARTITION

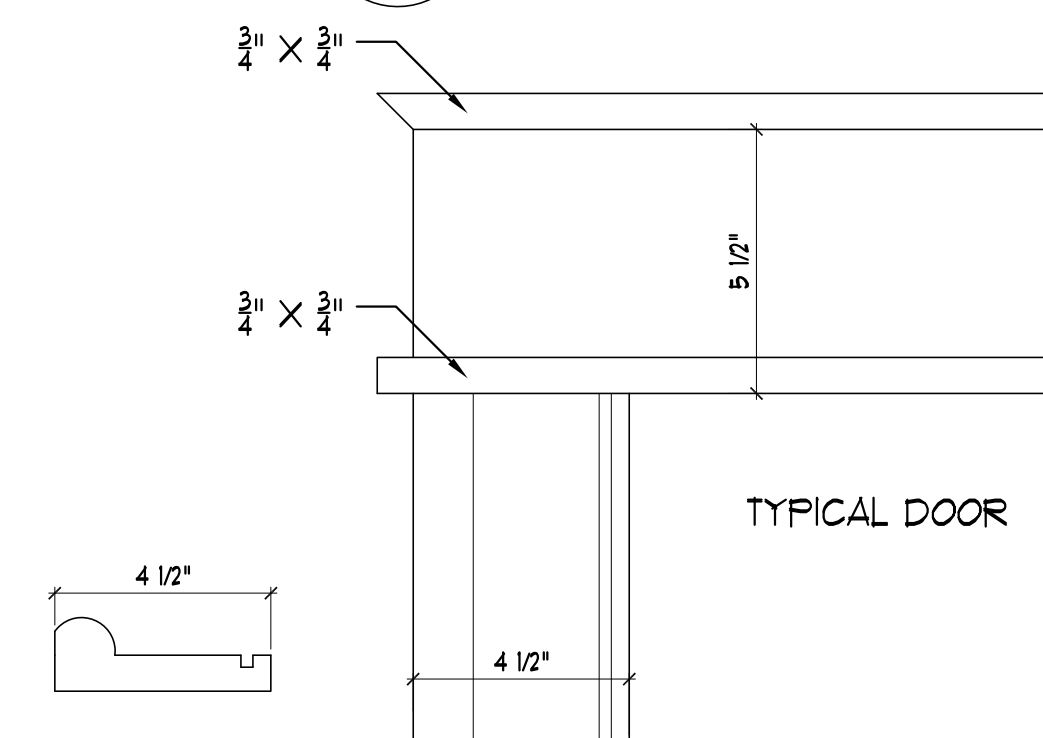
### W1 UNRATED OFFICE PARTITION WALL ASSEMBLY

- Floor and Ceiling Runners** - Channel shaped, attached to floor and ceiling in two rows, a min 1 in. apart, with steel fasteners spaced 24 in. OC. Runners fabricated from min No. 25 M&G galv steel, 1-1/4 in. deep and 3-5/8 in. wide. Use 6 in. wide runners at plumbing walls.
- Steel Studs** - Channel shaped, supplied with corners, friction-fitted into floor and ceiling runners and spaced a max 24 in. OC. Studs cut 1/2 in. less than assembly height and evenly staggered between the two rows of floor and ceiling runners. Studs fabricated from min No. 25 M&G galv steel, min 3-5/8 in. wide by 1-5/8 in. deep with 3/8 in. folded back return flange legs. Use 6 in. wide studs in plumbing walls.
- Gypsum Board** - 5/8 in. thick, 4 ft wide, attached to wood studs with Type S steel screws spaced 8 in. OC. along edges of board and 12 in. OC. in the field of the board. Joints oriented vertically and staggered on opposite sides of the assembly 48 in. OC.
- Acoustical Insulation** - 3" minimum
- Joint Tape and Compound** - Vinyl, dry or premixed joint compound, applied in two coats to joints and screw heads; paper tape, 2 in. wide, embedded in first layer of compound over all joints. As an alternate, nominal 3/32 in. thick gypsum veneer plaster may be applied to the entire surface of Classified veneer baseboard. Joints reinforced. Paper tape and joint compound may be omitted when gypsum boards are supplied with square edges.

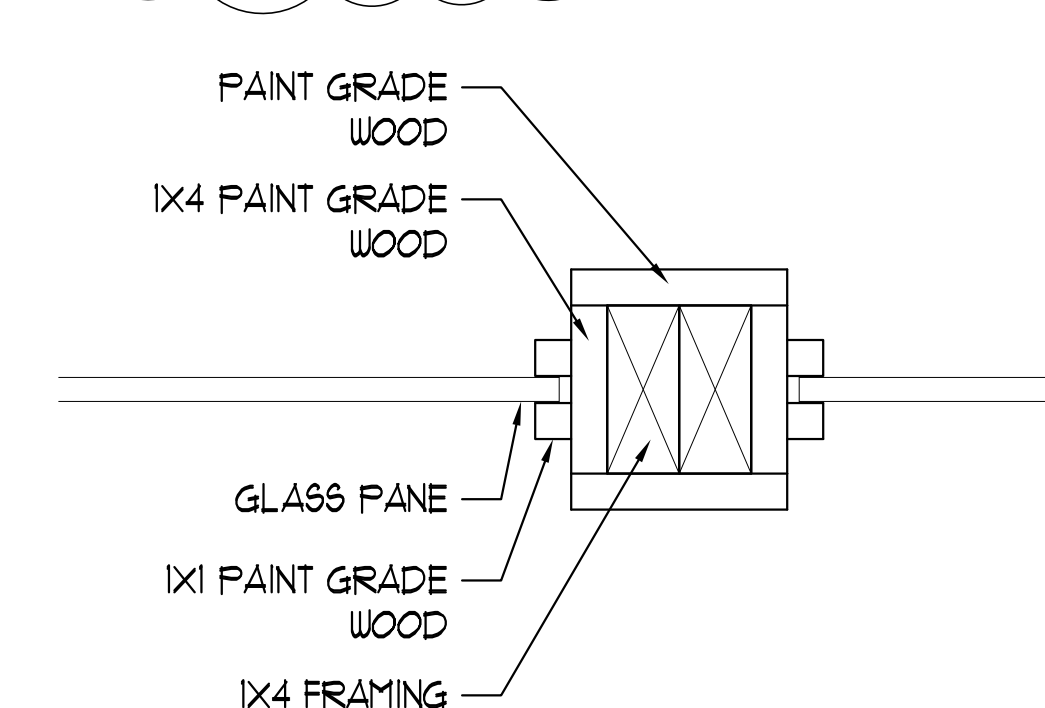


9 | SHELVING DETAIL  
SCALE: 3"=1'-0"

5 | TYPICAL BASE  
SCALE: 3"=1'-0"



4 | TYPICAL DOOR TRIM DETAILS  
SCALE: 3"=1'-0"



6 | GLASS WALL DETAIL  
SCALE: 3"=1'-0"

**ARCHETYPE, P.A.**  
**ARCHITECTS**  
 48 Union Wharf Portland, Maine 04101  
 (207) 772-6022 Fax (207) 772-4056

Project:  
 Scale: 1/4" = 1'-0"  
 Date: April 29th, 2013  
 Revisions:  
 PRICING SET 4/5/2013  
**501 DANFORTH STREET**  
 PORTLAND, ME

**SCHEDULES, INTERIOR ELEVATIONS & DETAILS**

**A-3**