

Prepared For:

22 Orchard Beach Rd
Orland Beach, ME 04064-1211
Tel: 207.934.8038
Fax: 207.934.8039

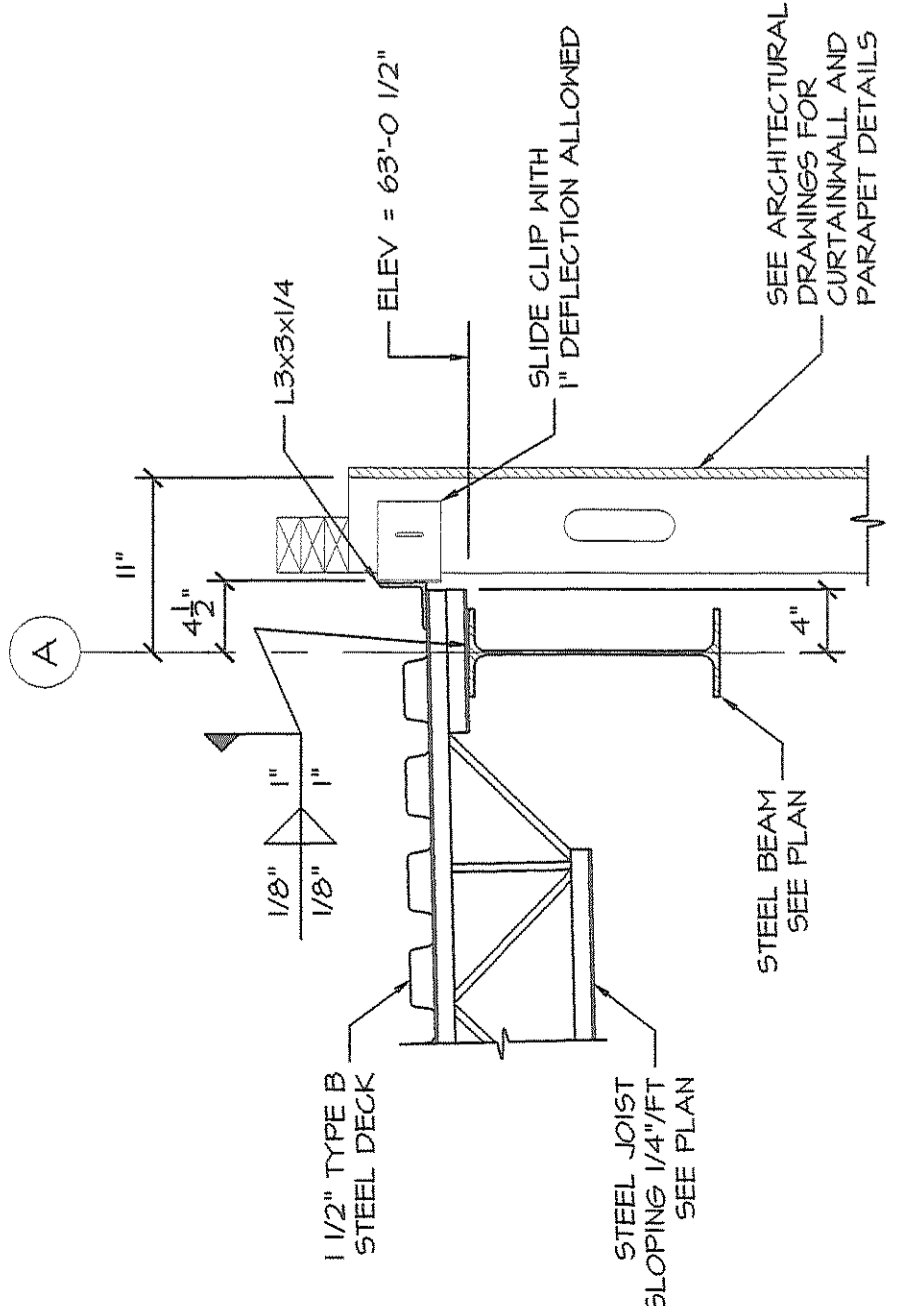
ARCHITECTS
48 Union Wharf, Portland, Maine 04101
(207) 772-6022 Fax (207) 772-4056

ARCHITECT
501 DANFORTH ST.
PORTLAND, MAINE

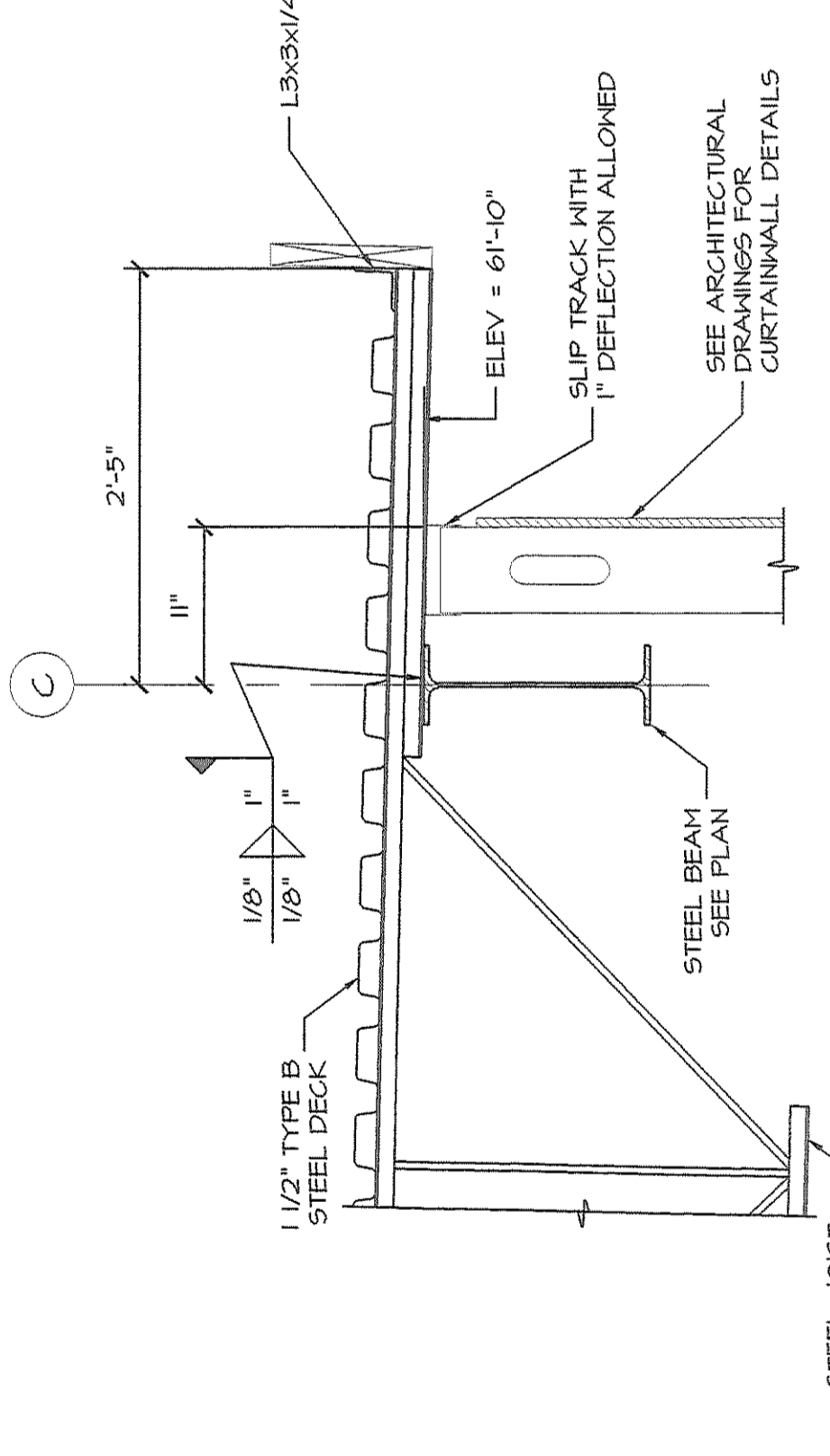
Project:
Revisions:

Scale: As Noted
Date: 23 April, 2010

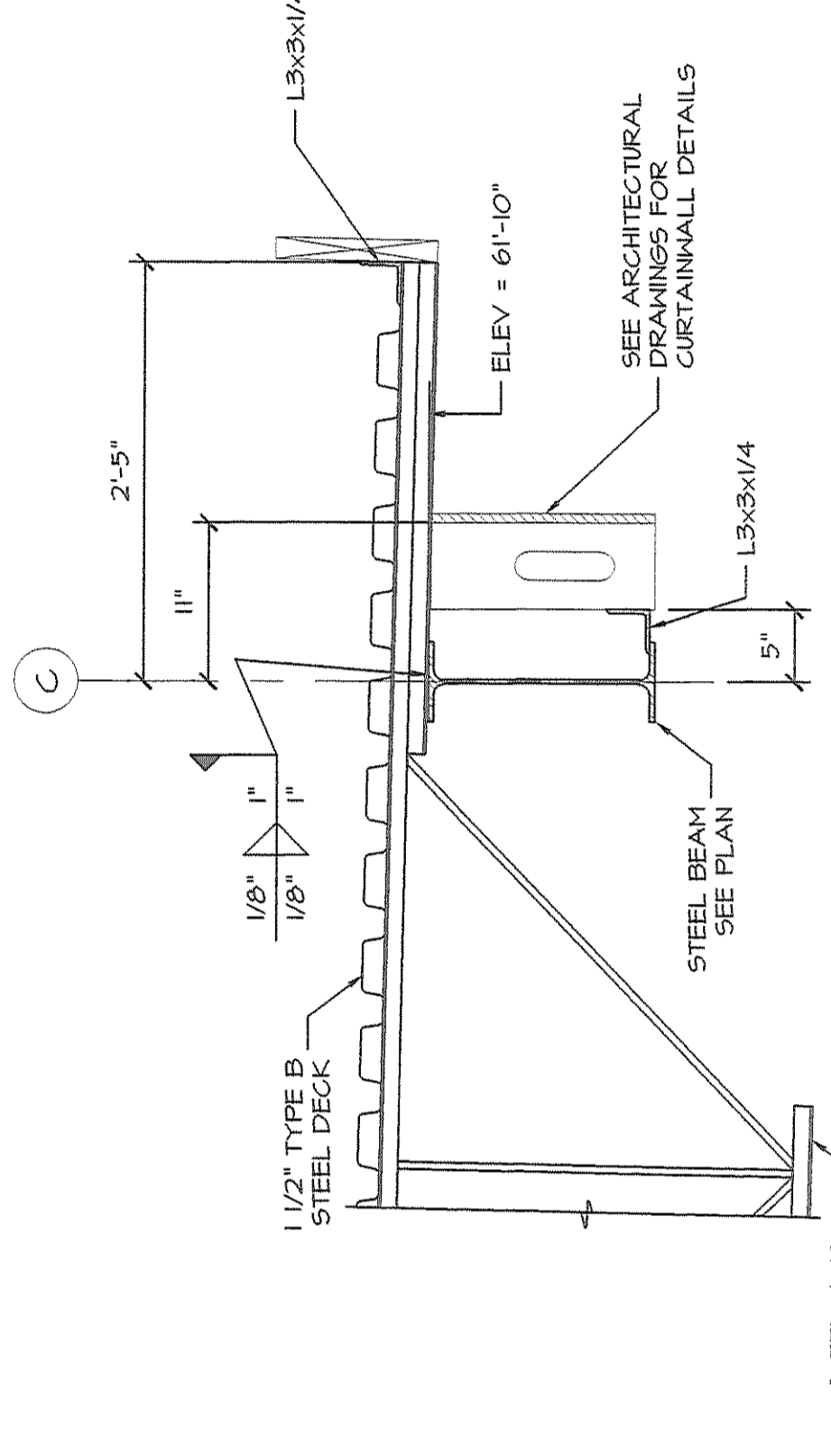
S4
SECTIONS & DETAILS



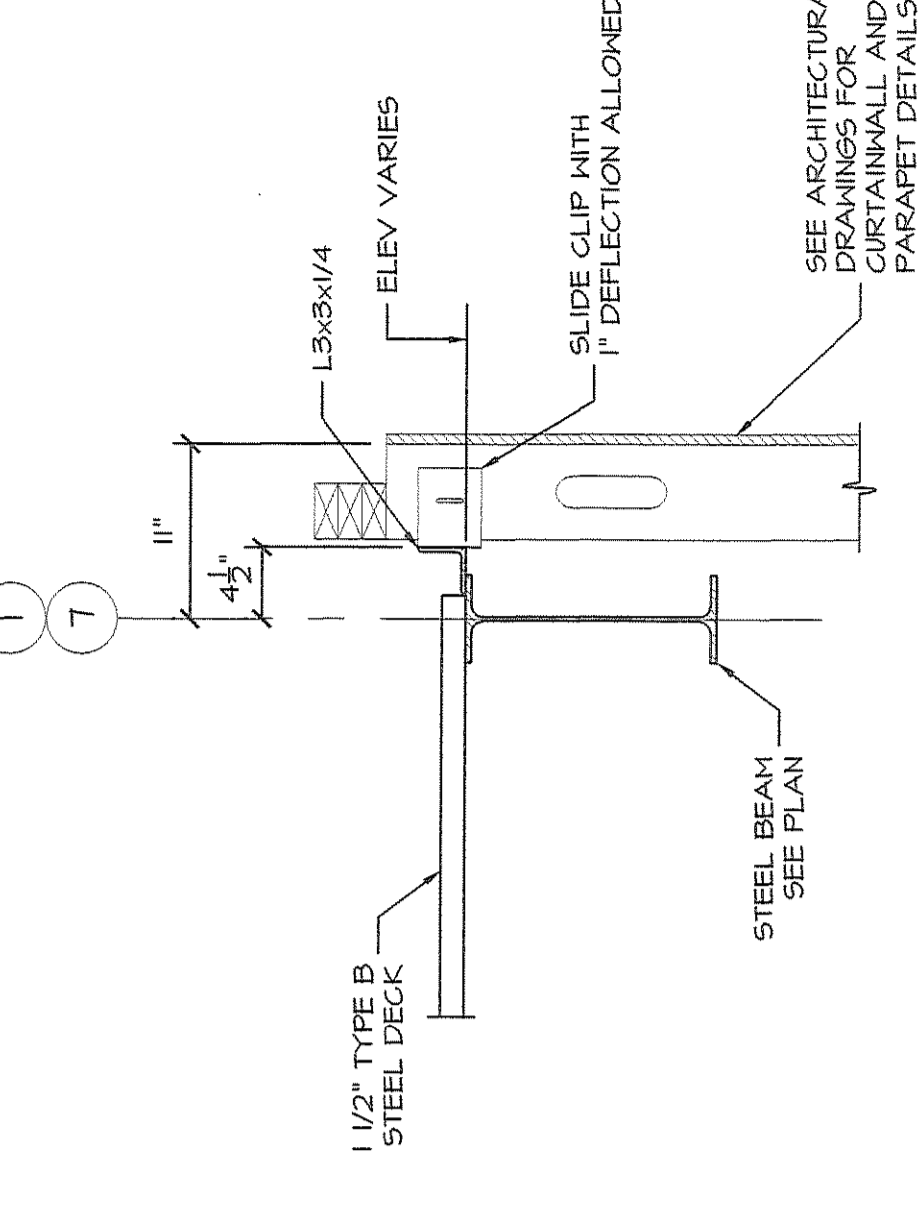
SECTION 1
1"=11'-0" S2



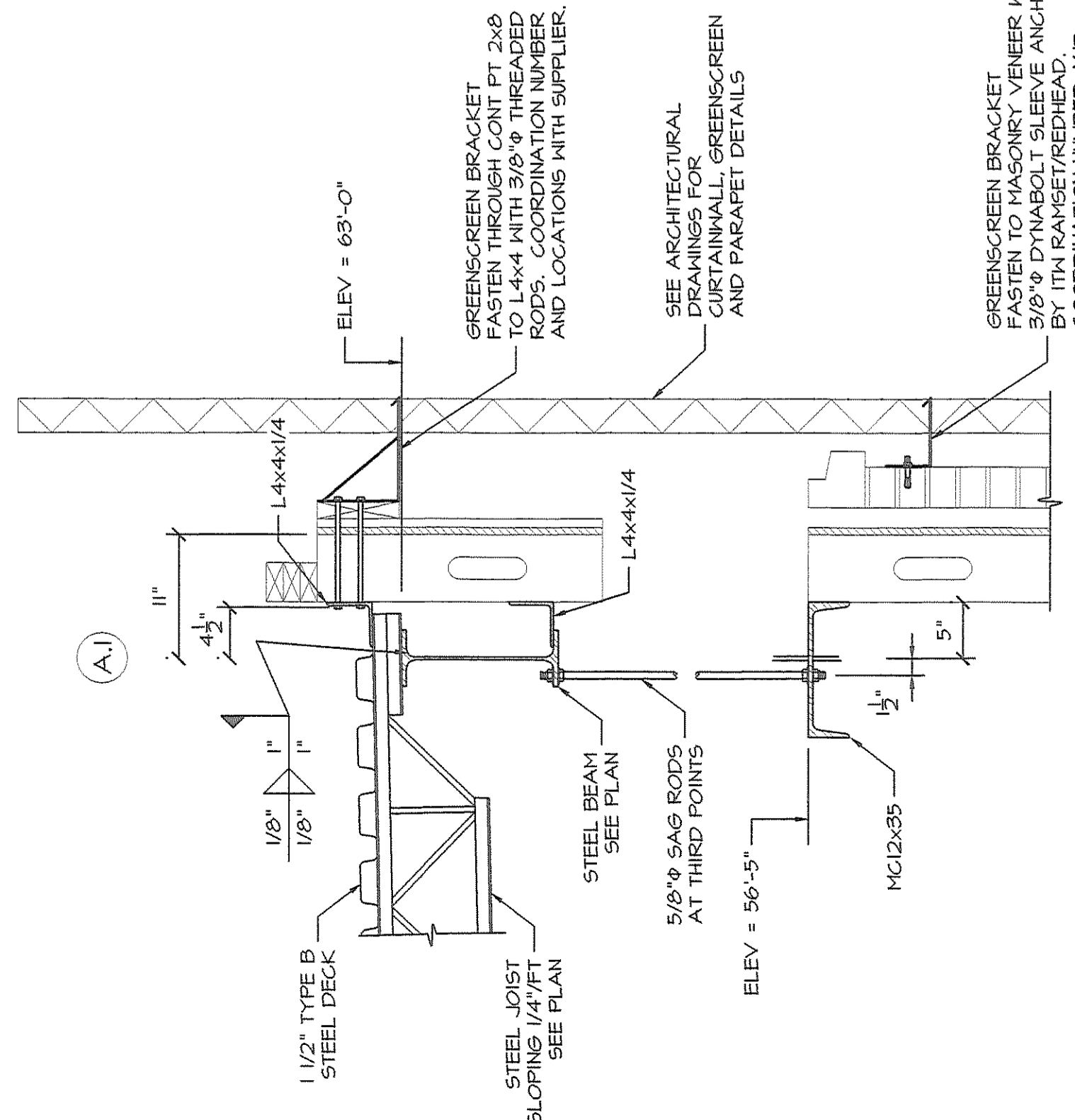
SECTION 2
1"=11'-0" S2



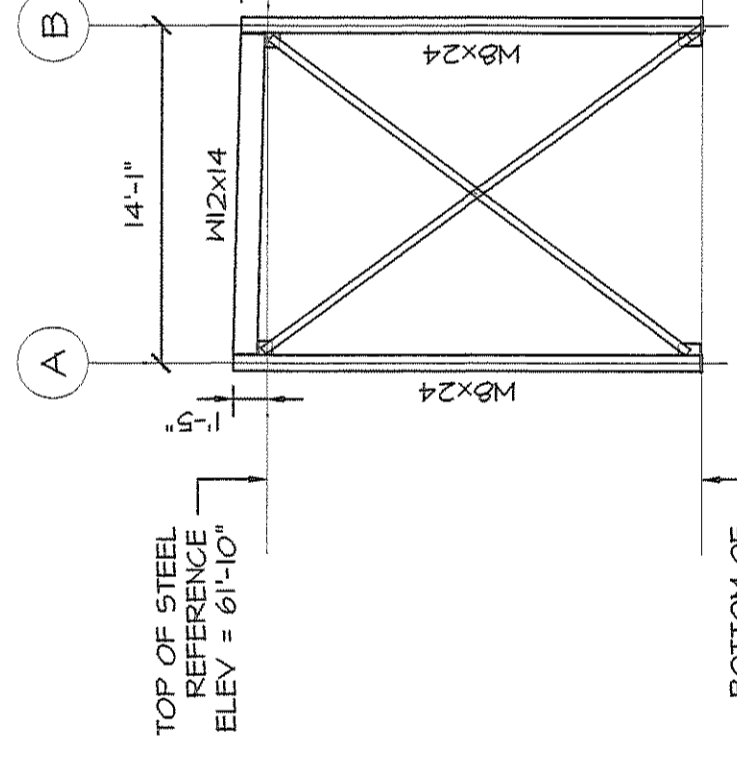
SECTION 3
1"=11'-0" S2



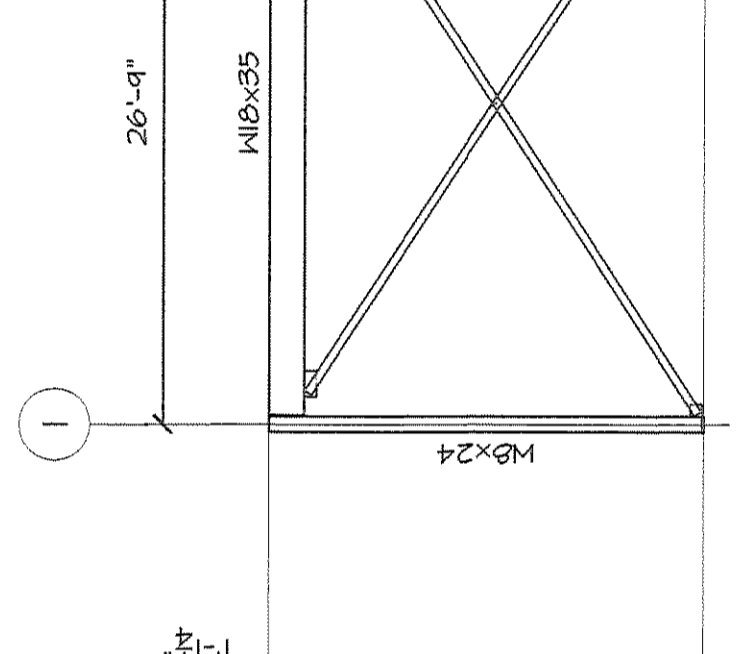
SECTION 4
1"=11'-0" S2



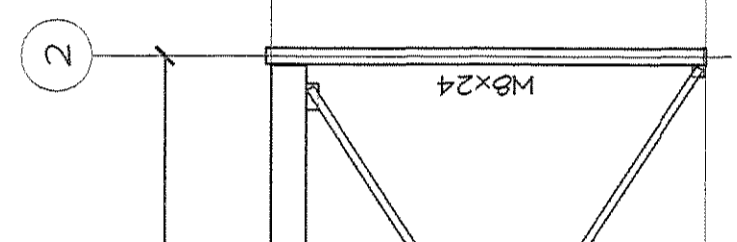
SECTION 5
1"=11'-0" S2



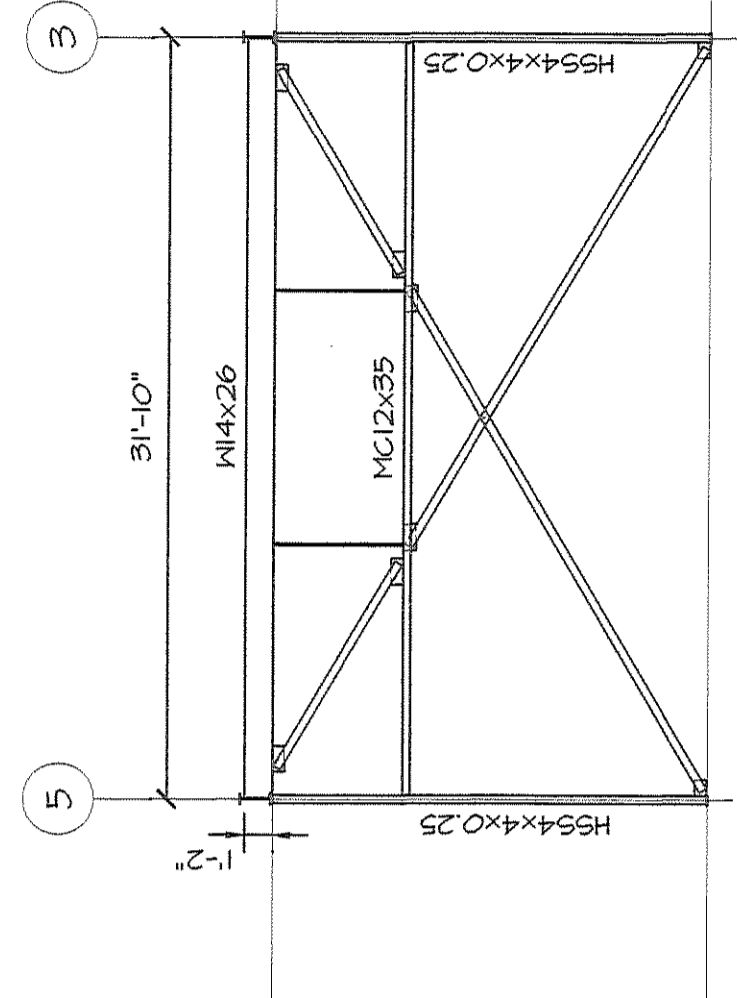
GRIDS 1 & 7
1/8"=11'-0"



GRID C
1/8"=11'-0"

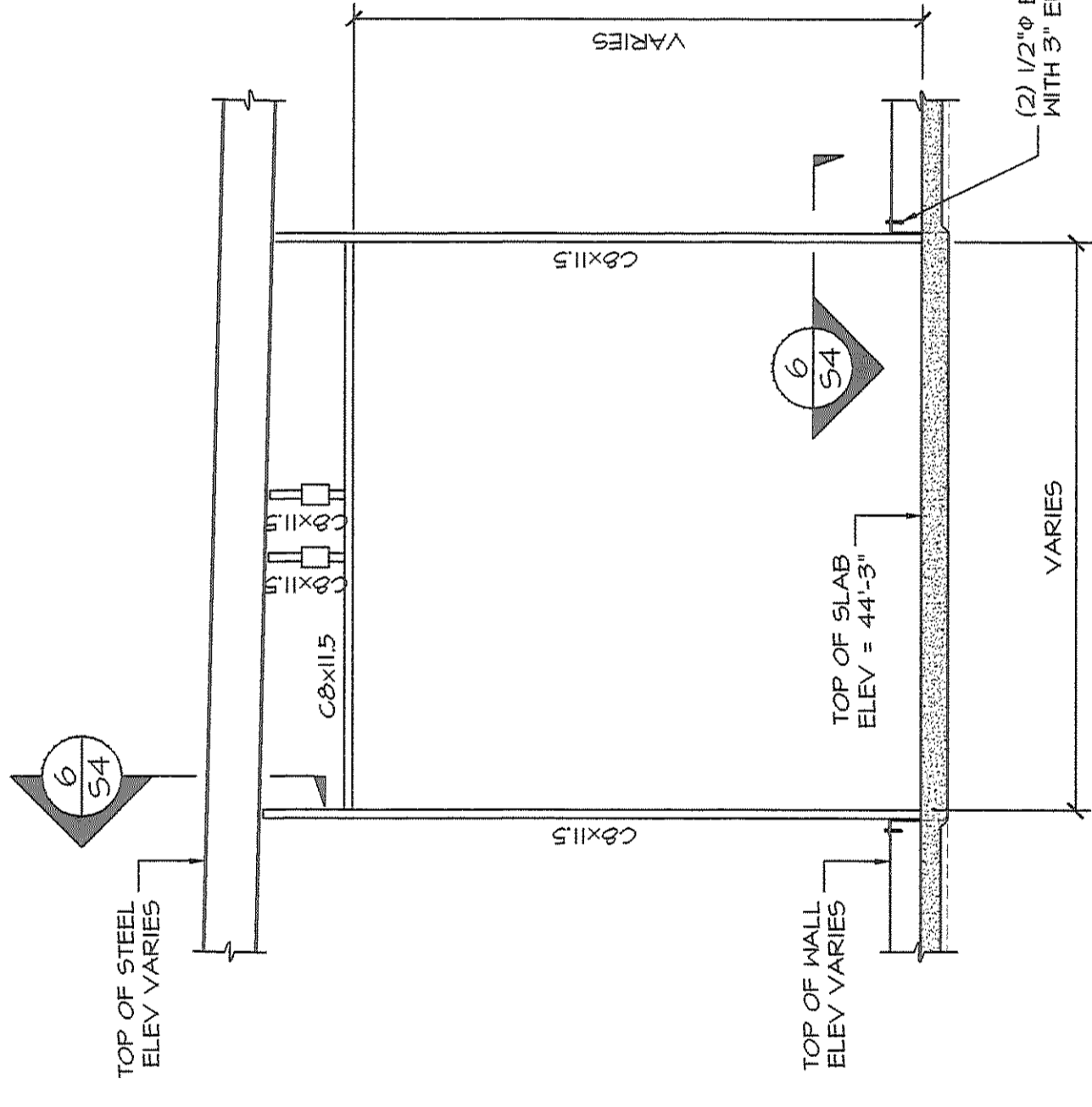


BRACING ELEVATIONS
1/8"=11'-0"



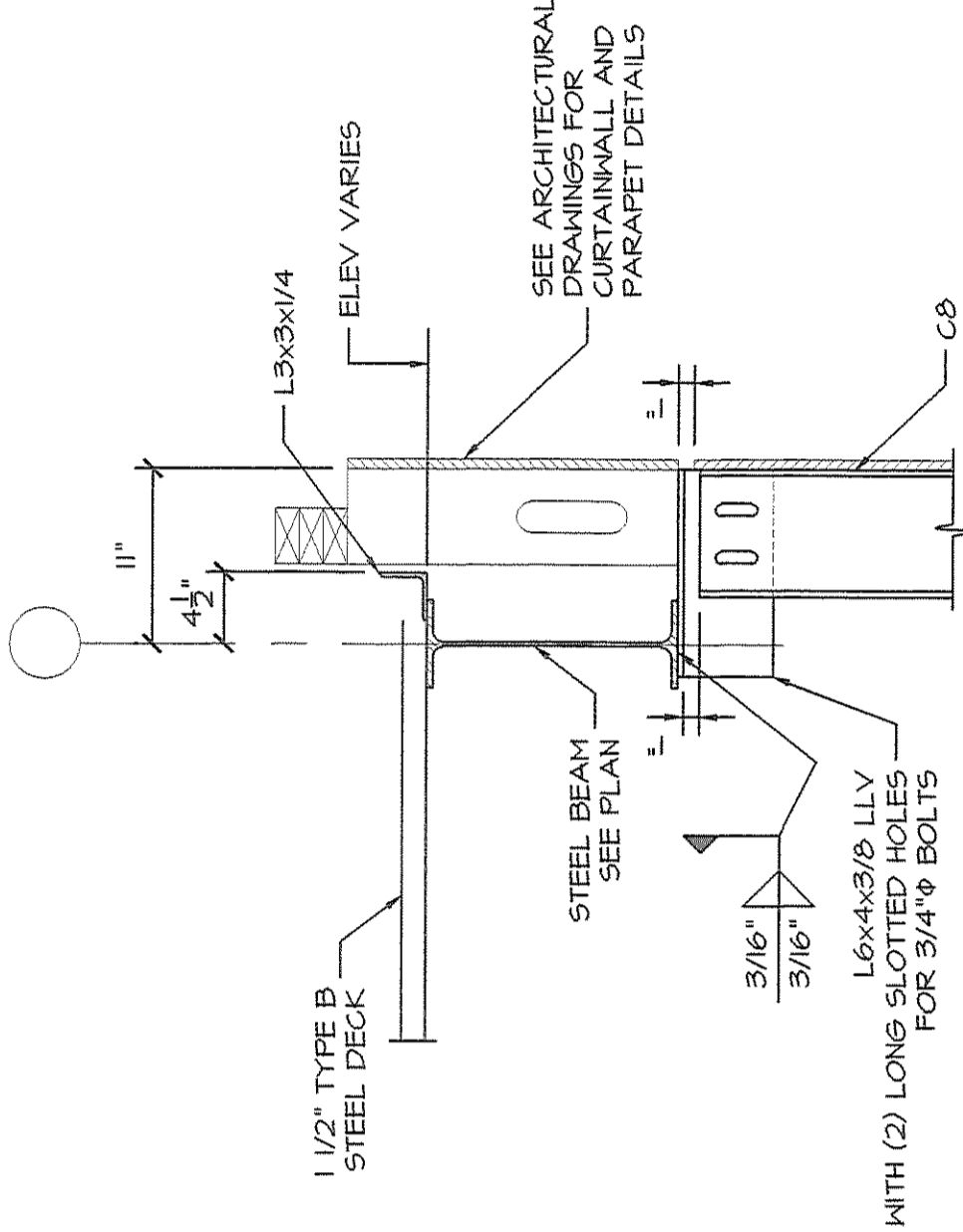
GRID A.I
1/8"=11'-0"

BRACING WORK POINTS ARE $\frac{1}{4}$ OF BEAM ϕ OF COLUMN AND BOTTOM OF BASE PLATE.
GUSSET PLATES ARE $\frac{3}{8}$ " WITH GEOMETRY AS REQUIRED.
ALL X-BRACES ARE L4x4x1/4 BACK TO BACK. FIELD HELD BOTH SIDES TOP AND BOTTOM TO GUSSET PLATES WITH 1/4" FILLET WELDS. MIN 4" LONG. BOLT BRACES AT CROSSING POINTS WITH 3/4" BOLT.



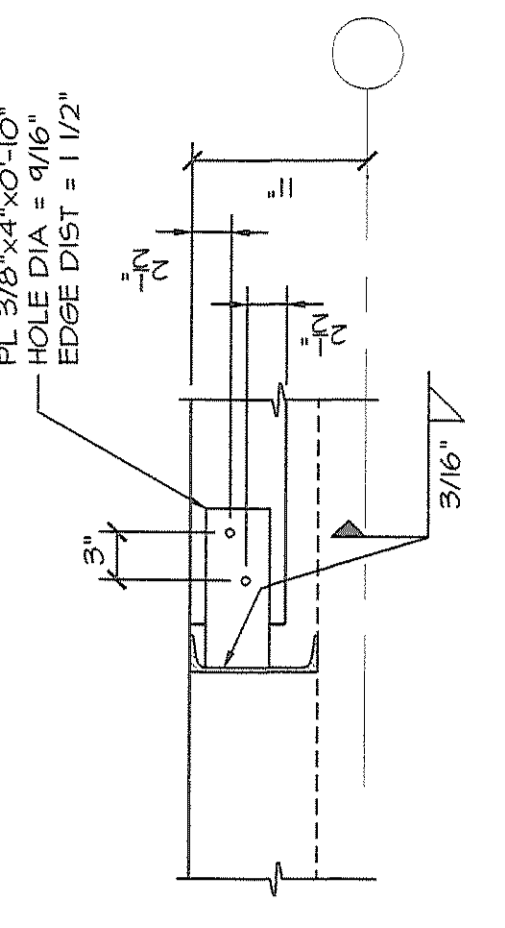
OVERHEAD DOOR FRAME ELEVATION
1/4"=11'-0"

COORDINATE ALL DIMENSIONS AND REQUIREMENTS WITH OVERHEAD DOOR SHOP DRAWINGS AND ACTUAL SITE CONDITIONS.



SECTION 6
1"=11'-0" S4

TYP. AT ALL C8 JAMES AND EQUIPMENT SUPPORTS



SECTION 7
1"=11'-0" S4