

FOUNDATIONS
SECTIONS & DETAILS

Date: 23 April, 2010
Scale: 1/2" = 1'-0"

Revisions:

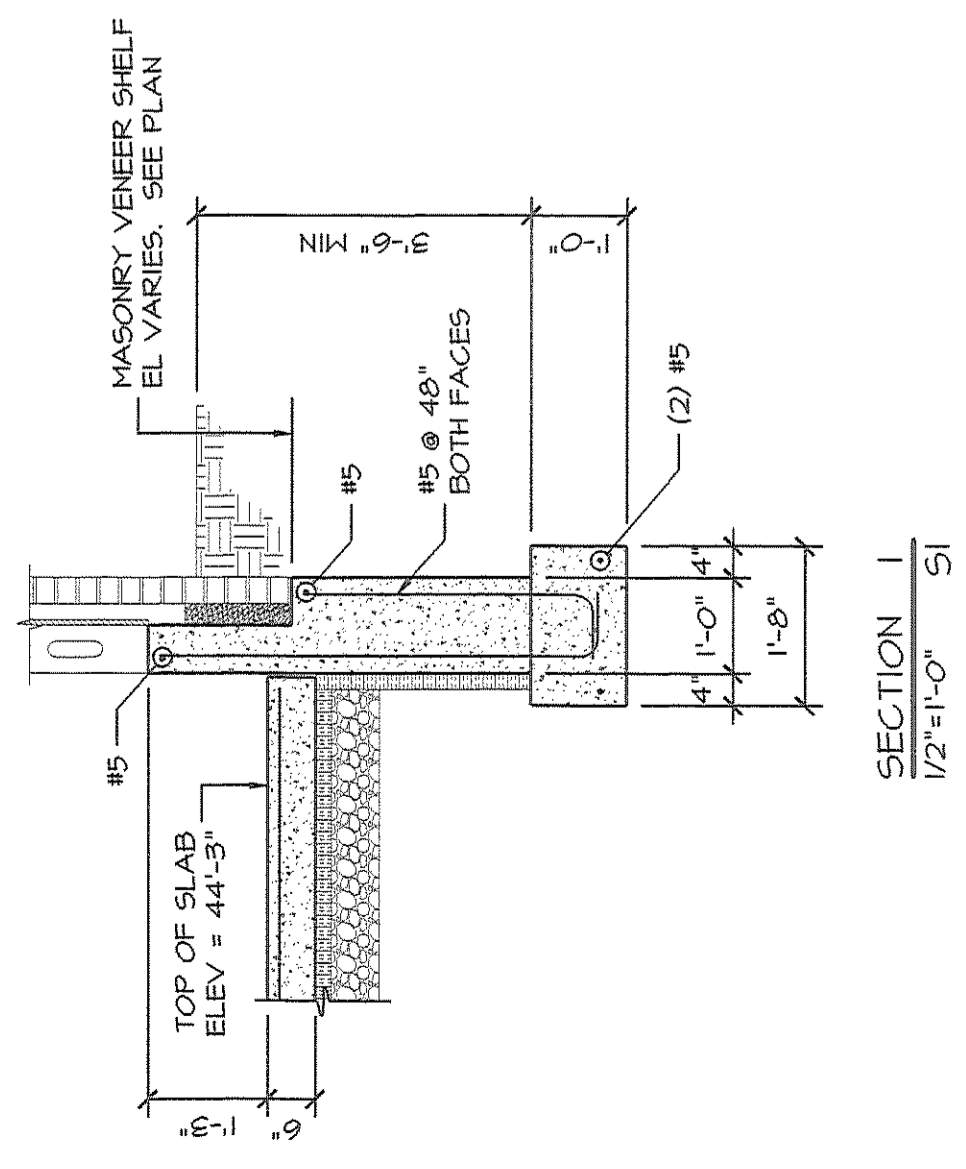
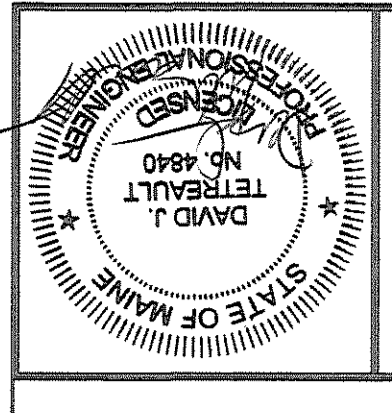
Project:

501 DANFORTH ST.
PORTLAND, MAINE

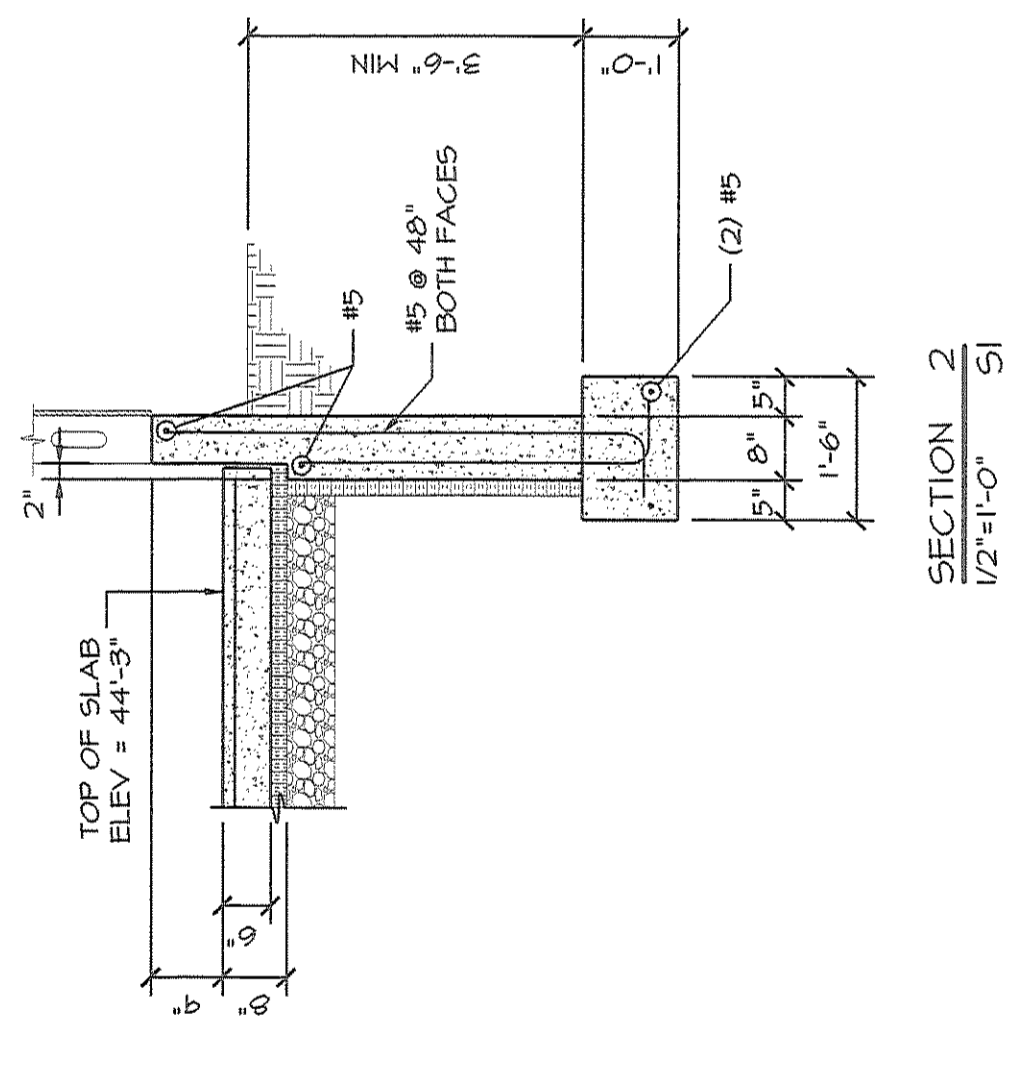
Architect:
ARCHETYPE architects
48 Union Wharf, Portland, Maine 04101
(207) 772-6022 Fax (207) 772-4056

Consulting Engineer:
DESIGN STRUCTURAL CONSULTING
22 Osborn Drive
Old Orchard Beach, ME 04064-1121
Tel: 207.934.8038 Fax: 207.934.8039

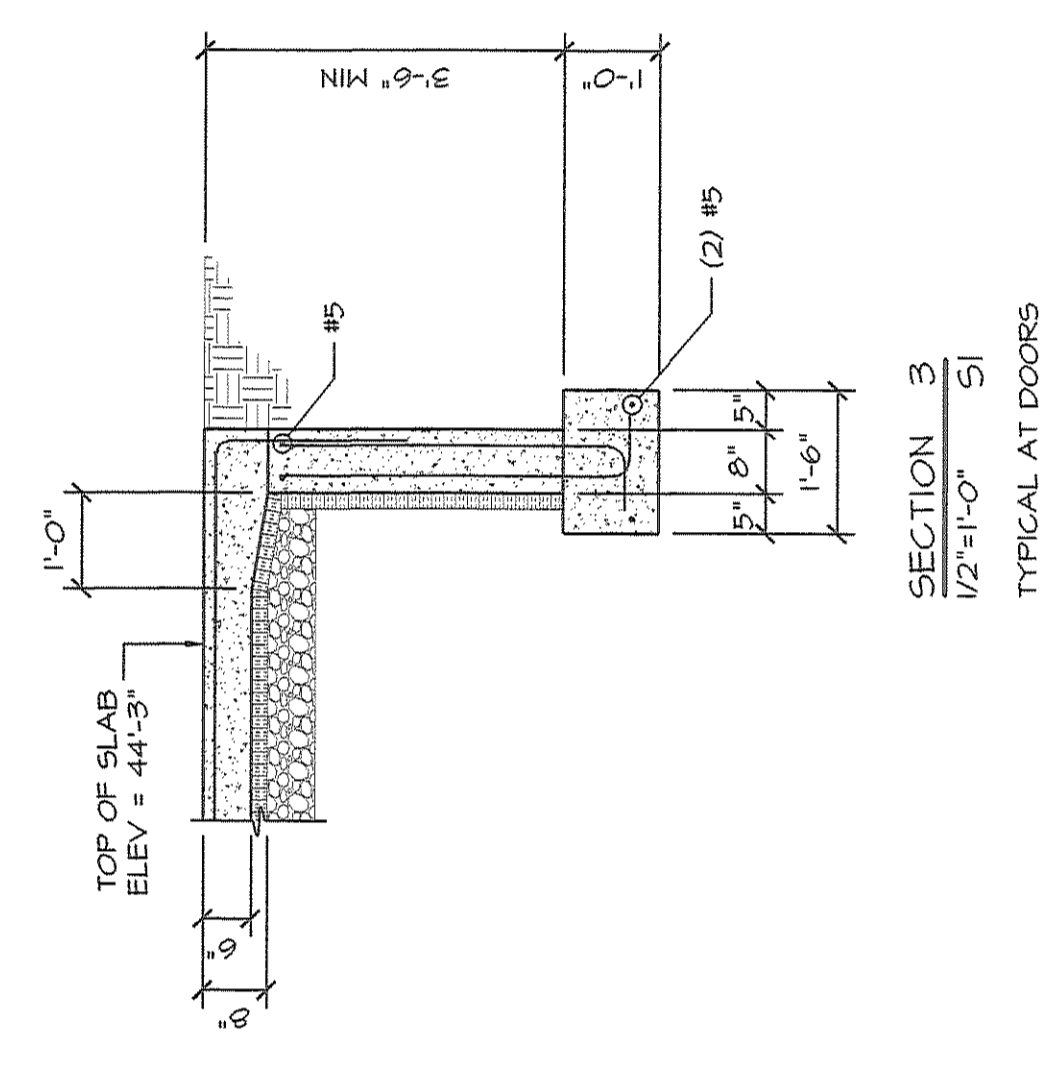
Prepared For:



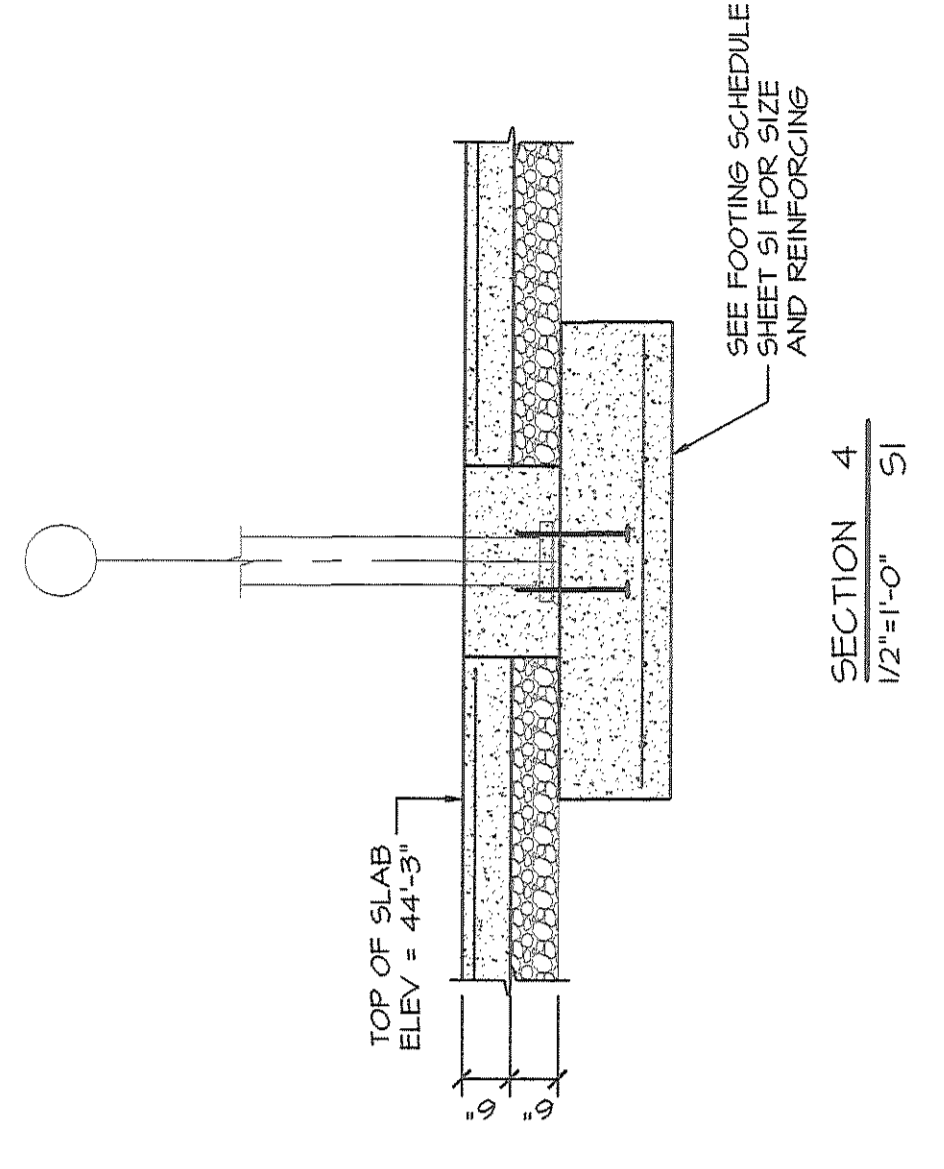
SECTION 1
1/2"=1'-0" S1



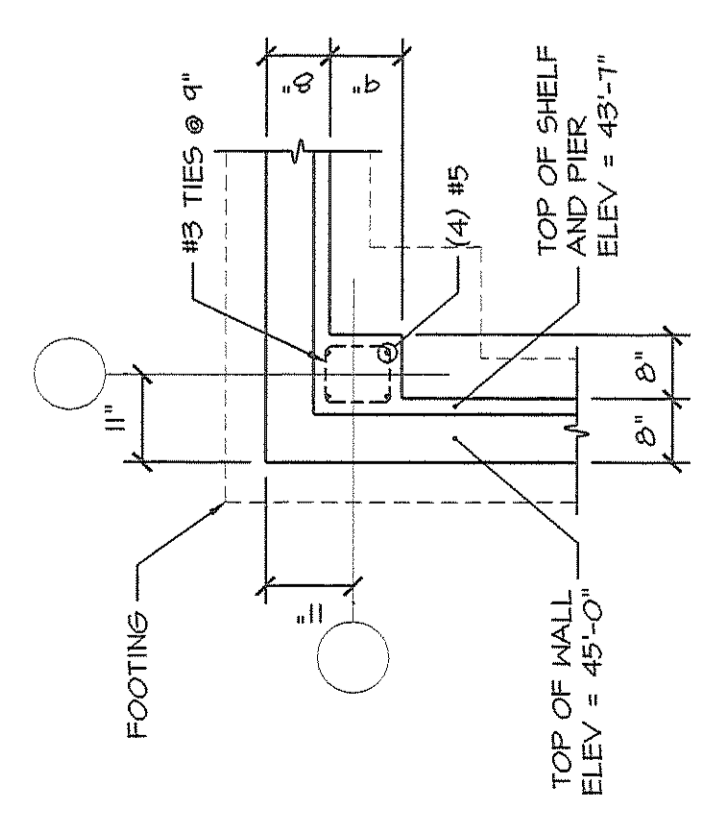
SECTION 2
1/2"=1'-0" S1



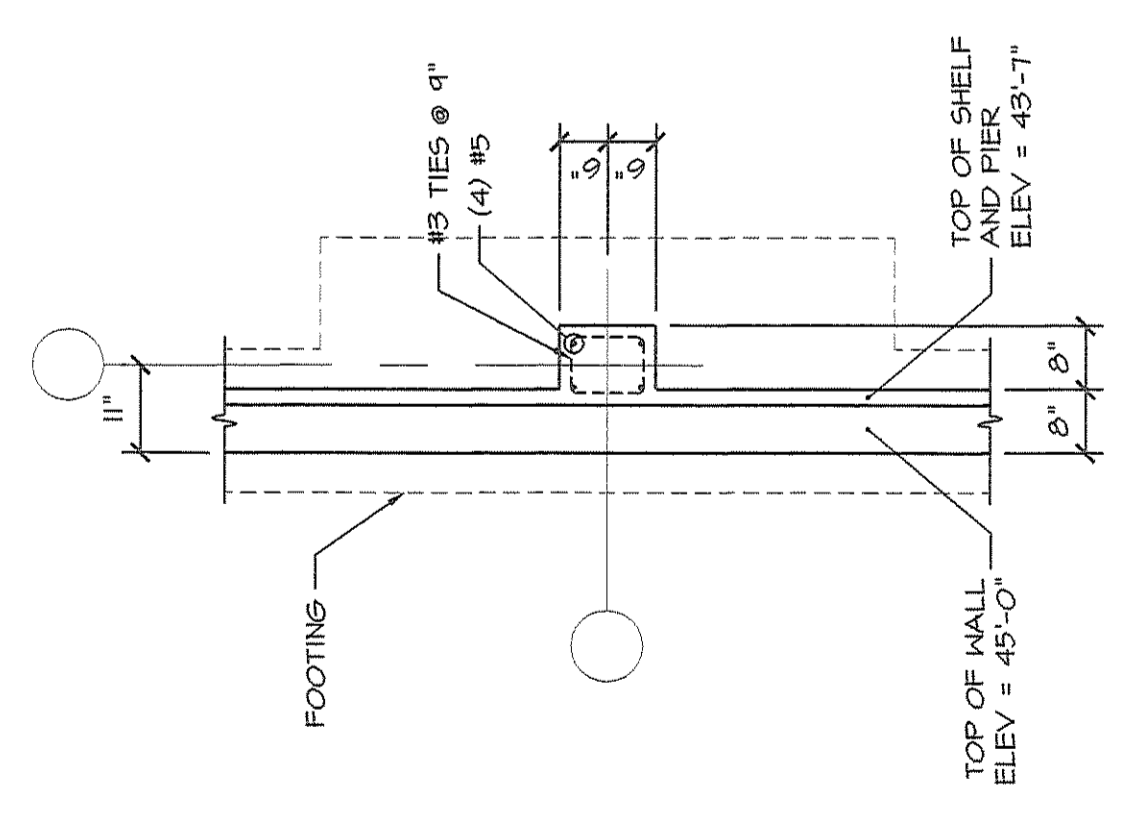
SECTION 3
1/2"=1'-0" S1
TYPICAL AT DOORS



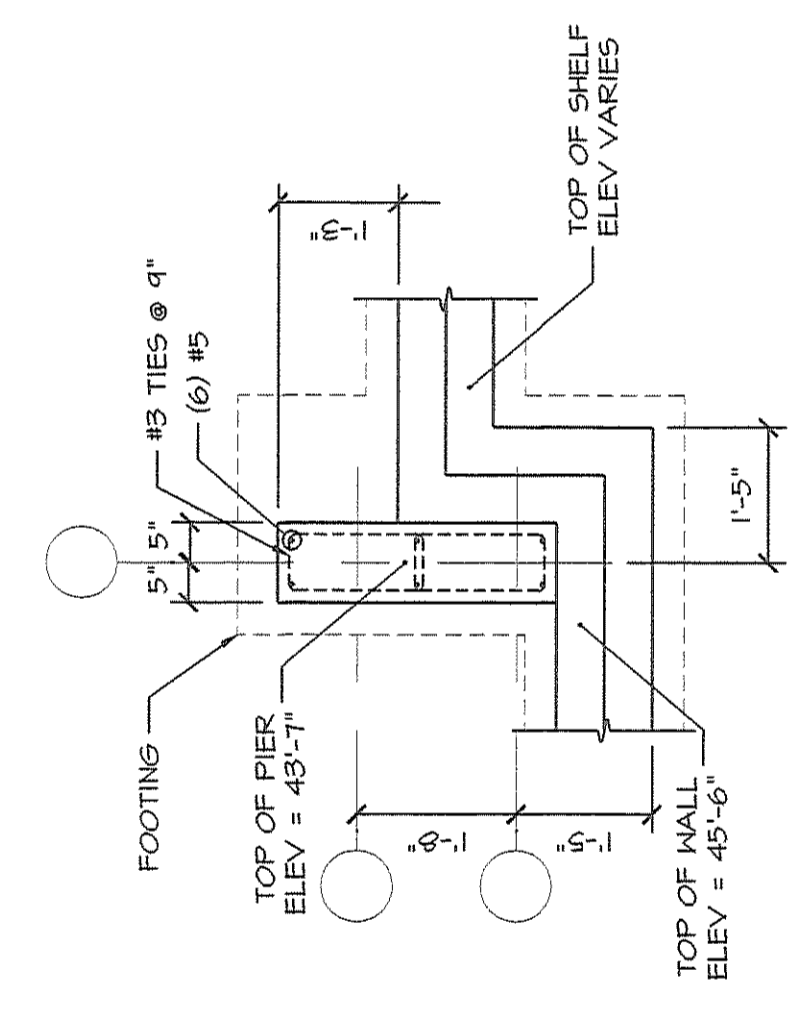
SECTION 4
1/2"=1'-0" S1



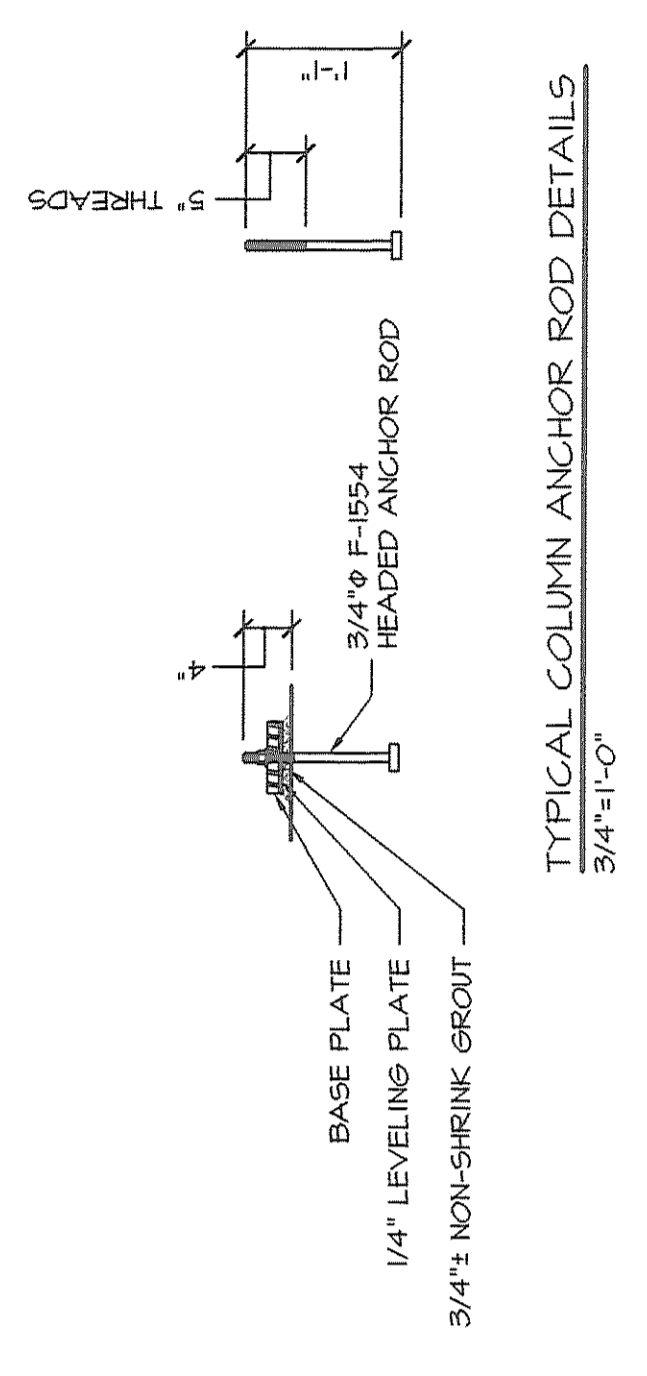
TYPICAL CORNER PIER
1/2"=1'-0"



TYPICAL MIDWALL PIER
1/2"=1'-0"



TYPICAL PIER AT GREENSCREEN
1/2"=1'-0"



TYPICAL COLUMN ANCHOR ROD DETAILS
3/4"=1'-0"

FOOTING SCHEDULE		REINFORCING
MARK	SIZE	
F1	2'-8" x 2'-8" x 1'-0"	(5) #5 E.M. BOT.
F2	3'-0" x 3'-0" x 1'-0"	(3) #5 E.M. BOT.
F3	2'-8" x 6'-0" x 1'-0"	(4) #5 LONG BOT. (6) #5 SHORT BOT.
F4	2'-6" x 4'-8" x 1'-0"	(4) #5 LONG BOT. (5) #5 SHORT BOT.
F5	5'-0" x 5'-0" x 1'-2"	(6) #6 E.M. BOT.