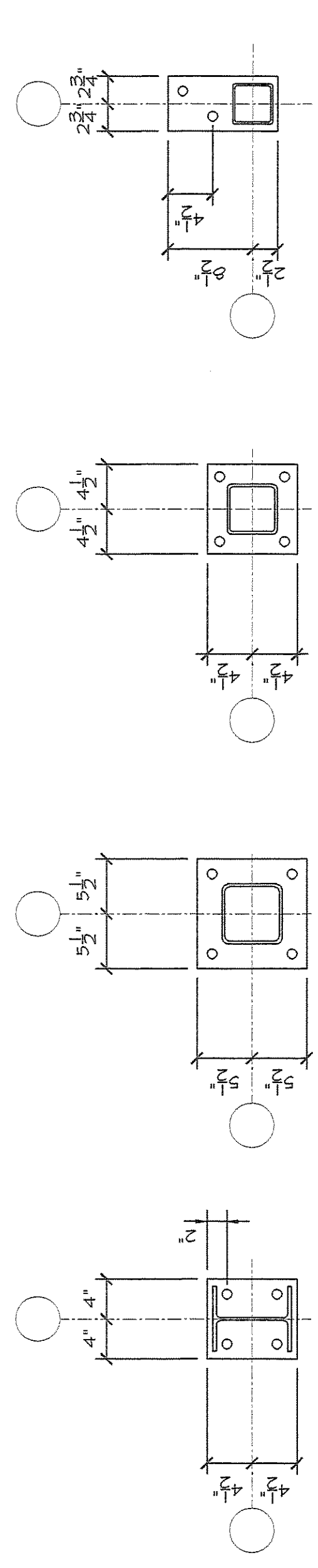


**LOFT FRAMING PLAN**  
 1/8"=1'-0"

LOFT LIVE LOAD CAPACITY = 50 PSF TO BE POSTED.  
 LOFT FRAMING IS 2X12@16".  
 LOFT DECK IS 3/4" ADVANTECH.  
 BEARING WALLS ARE 2X4@16".



**TYPE A**  
 THICKNESS = 3/4"

**TYPE B**  
 THICKNESS = 3/4"

**TYPE C**  
 THICKNESS = 5/8"  
 EDGE DIST = 1/4"

**TYPE D**  
 THICKNESS = 1/2"

**BASE PLATE DETAILS**  
 1"=1'-0"

HOLE EDGE DISTANCE = 1/2" UNLESS NOTED.  
 HOLE DIAMETER = 1.316" UNLESS NOTED.  
 SEE S5 FOR ANCHOR DETAILS

**ROOF FRAMING PLAN**  
 ROOF 1/8"=1'-0"

TOP OF STEEL ELEV = 61'-0" UNLESS NOTED (xxx').  
 BEAMS THAT ARE PARALLEL TO JOISTS AND NOTED (+2 1/2") ARE SLOPING AND 2 1/2" HIGHER THAN SUPPORTING BEAMS.  
 ROOF DECK IS 20 GAUGE 1 1/2" TYPE B PAINTED STEEL DECK. FASTEN DECK USING 5/8" MIDDLE WELDS IN 36/3 PATTERN WITH (I) #10 TEK SIDELAP FASTENER.  
 JOISTS ARE SPACED EVENLY WITHIN BAY UNLESS NOTED.  
 ALL CONNECTIONS ARE TO BE DESIGNED FOR A 4R REACTION UNLESS NOTED XL.

COLUMN SCHEDULE				
COLUMN MARK	SIZE	BOT. OF BASE PL ELEV.	BASE PL TYPE	TOP OF COLUMN ELEV.
A-1 A-7	M8x24	43'-8"	A	63'-0 1/2"
A-3 A-5	H555x5x0.25	43'-8"	C	63'-0 1/2"
A-1-3 A-1-5	H554x4x0.1875	43'-8"	D	62'-2"
B-1 B-7	M8x24	43'-8"	A	63'-0 1/4"
B-3 B-5	H556x6x0.25	43'-8"	B	63'-0 1/4"
C-1 C-2 C-4 C-6 C-7	M8x24	43'-8"	A	61'-10"