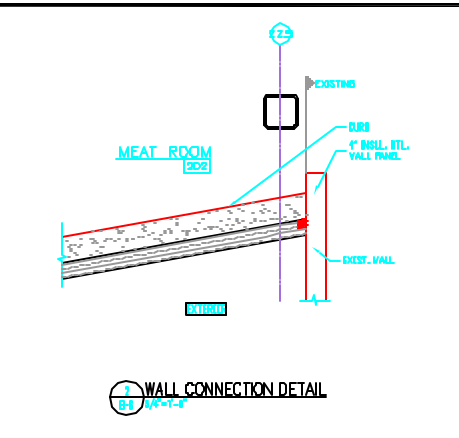
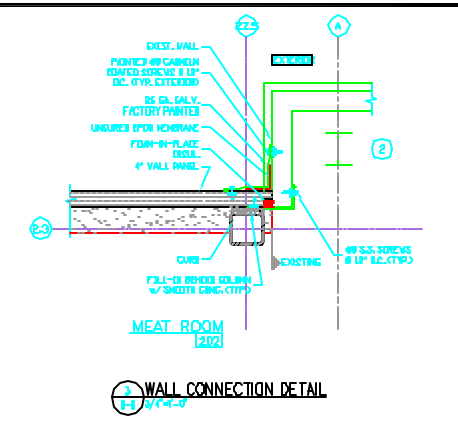


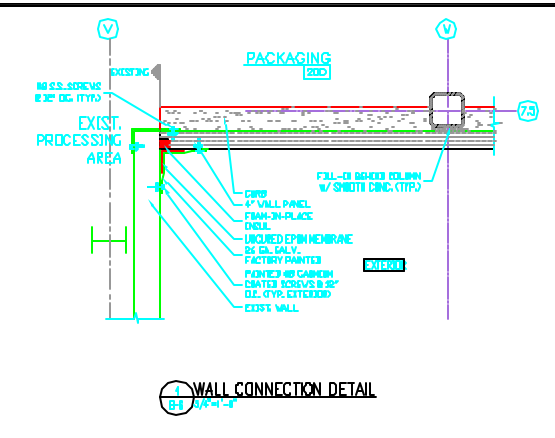
1 WALL CONNECTION DETAIL
1/2" x 1/2"



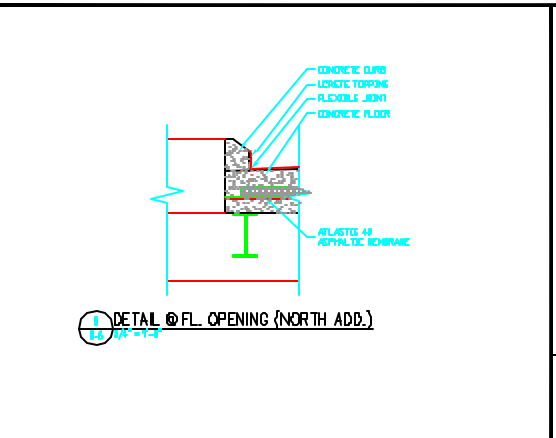
1 WALL CONNECTION DETAIL
1/2" x 1/2"



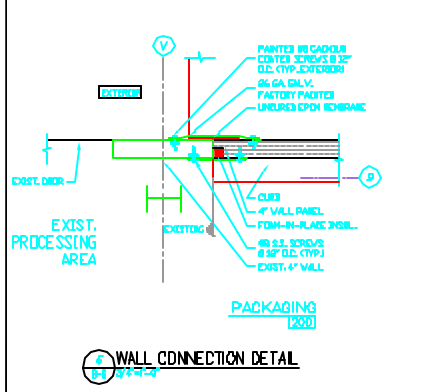
1 WALL CONNECTION DETAIL
1/2" x 1/2"



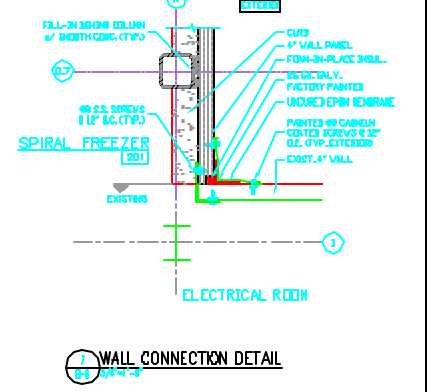
1 WALL CONNECTION DETAIL
1/2" x 1/2"



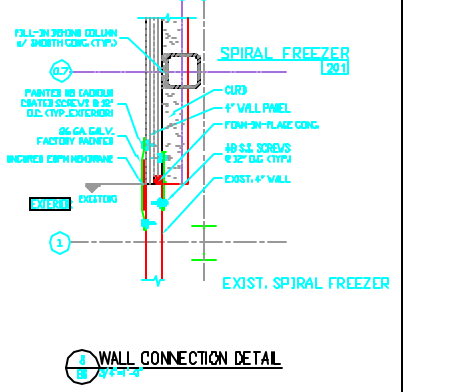
1 DETAIL @ FL. OPENING (NORTH ADD.)
1/2" x 1/2"



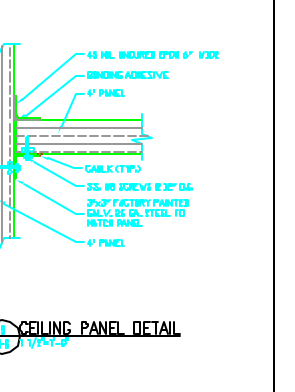
1 WALL CONNECTION DETAIL
1/2" x 1/2"



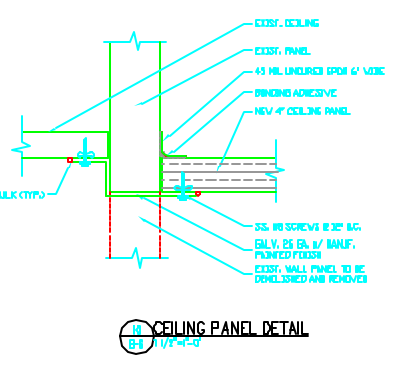
1 WALL CONNECTION DETAIL
1/2" x 1/2"



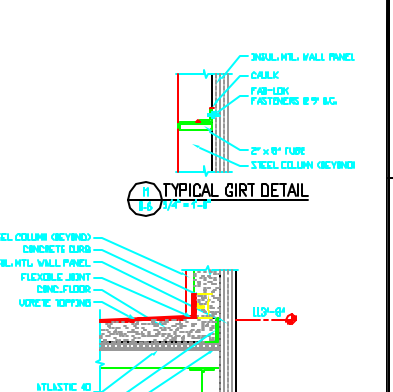
1 WALL CONNECTION DETAIL
1/2" x 1/2"



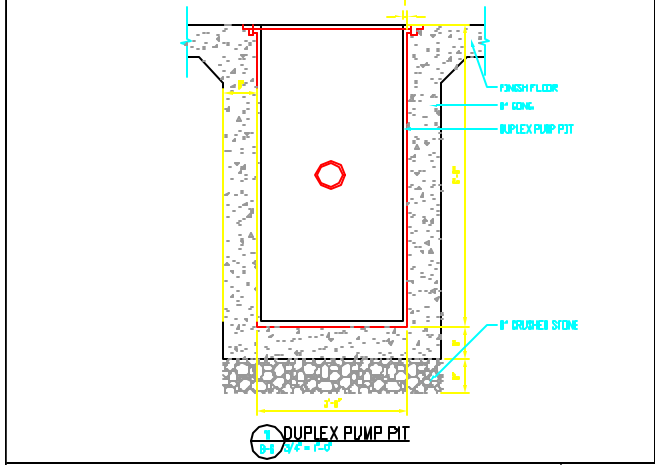
1 CEILING PANEL DETAIL
1/2" x 1/2"



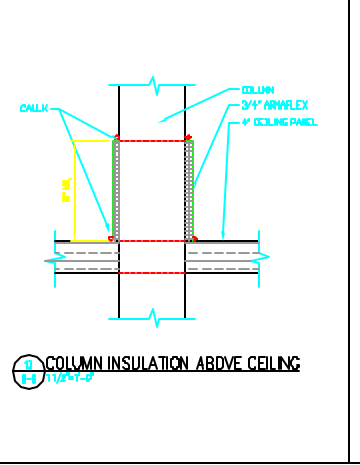
1 CEILING PANEL DETAIL
1/2" x 1/2"



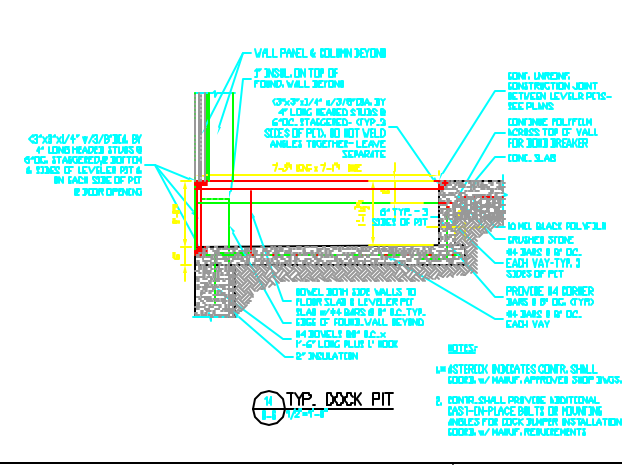
1 TYPICAL GIRT DETAIL
1/2" x 1/2"



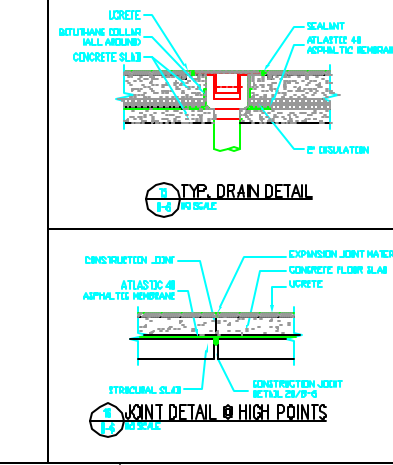
1 DUPLIX PUMP PIT
1/2" x 1/2"



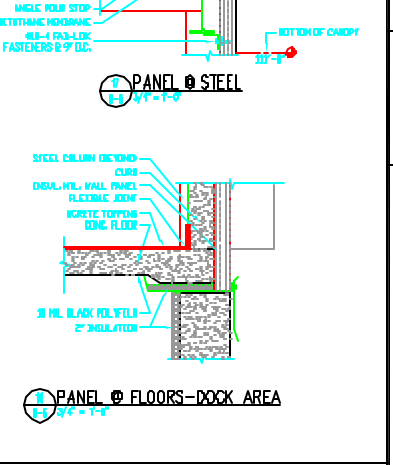
1 COLUMN INSULATION ABOVE CEILING
1/2" x 1/2"



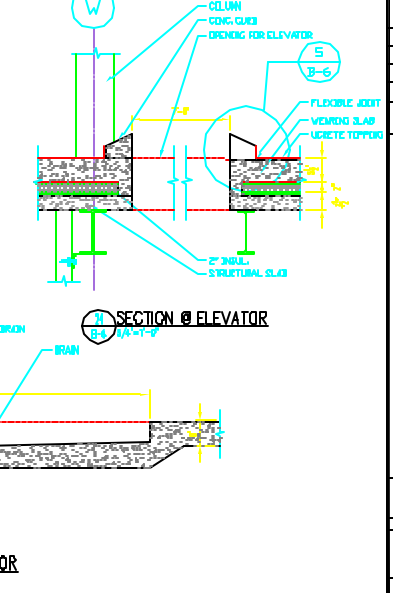
1 TYP. DOCK PIT
1/2" x 1/2"



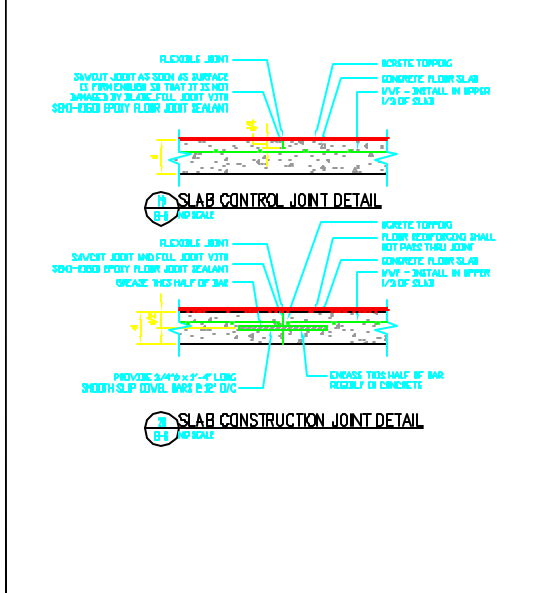
1 TYP. DRAIN DETAIL
1/2" x 1/2"



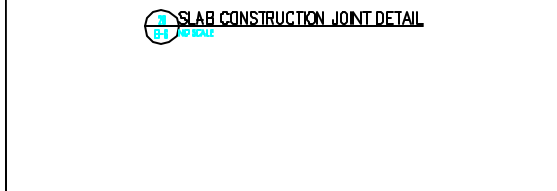
1 PANEL @ STEEL
1/2" x 1/2"



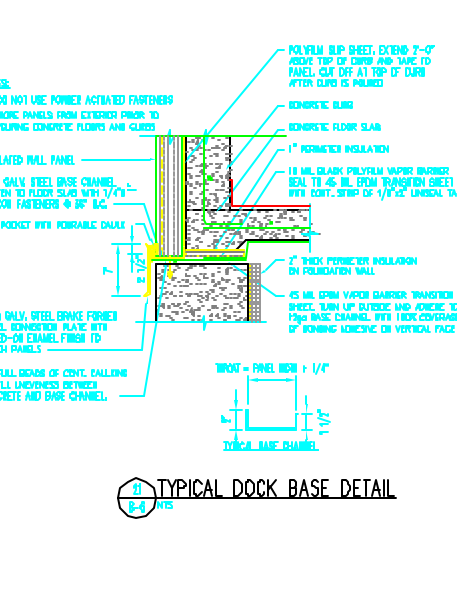
1 PANEL @ FLOORS-DOCK AREA
1/2" x 1/2"



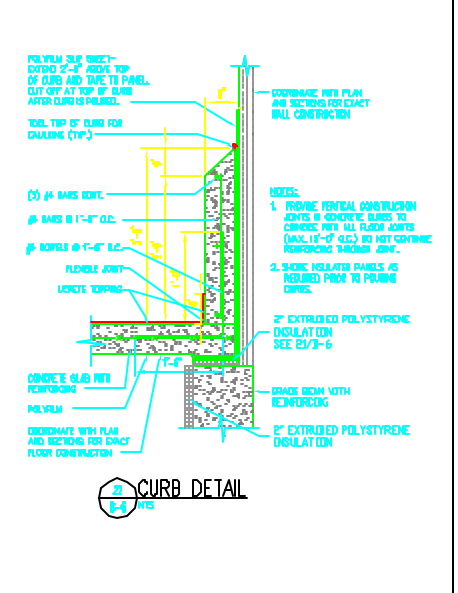
1 SLAB CONTROL JOINT DETAIL
1/2" x 1/2"



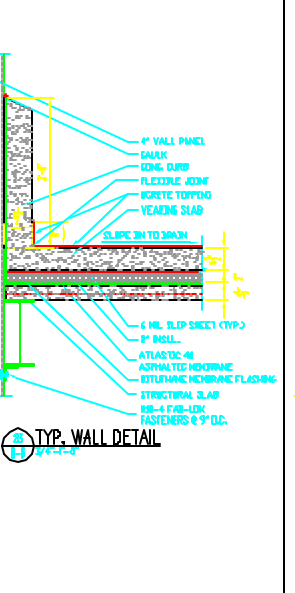
1 SLAB CONSTRUCTION JOINT DETAIL
1/2" x 1/2"



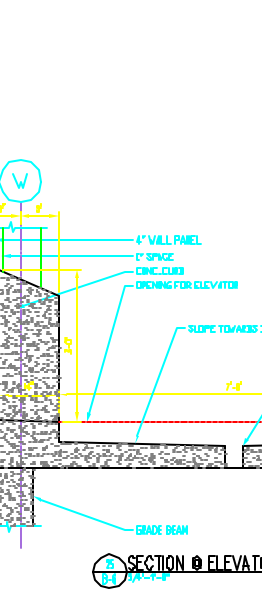
1 TYPICAL DOCK BASE DETAIL
1/2" x 1/2"



1 CURB DETAIL
1/2" x 1/2"



1 TYP. WALL DETAIL
1/2" x 1/2"



1 SECTION @ ELEVATOR
1/2" x 1/2"

This drawing and all information contained herein are the property of Spear & Associates LLC. All information contained on this drawing is to be used for reference only. Any information derived from these drawings shall be verified by the user. The user shall be responsible for any errors or omissions. The user shall be responsible for any errors or omissions. The user shall be responsible for any errors or omissions.

Revision	Description	Date
1	Issue for Construction	1/15/2017
2	Revised	1/15/2017
3	Revised	1/15/2017
4	Revised	1/15/2017
5	Revised	1/15/2017
6	Revised	1/15/2017
7	Revised	1/15/2017
8	Revised	1/15/2017
9	Revised	1/15/2017
10	Revised	1/15/2017

SPEAR & ASSOCIATES LLC
Engineers and Consultants
1000 South Main Street
Littleton, Colorado 80120
Phone: (303) 771-1111
Fax: (303) 771-1111

Date: FEBRUARY 16, 2017
Scale: As Shown
Drawn By: BUCK
Checked By: J.A.A.
CADS Drawing Number: 10164-0-0

SECTION AND DETAILS
MEAT ROOMS
64 02 002 STEEL FABRICATION, MAINT