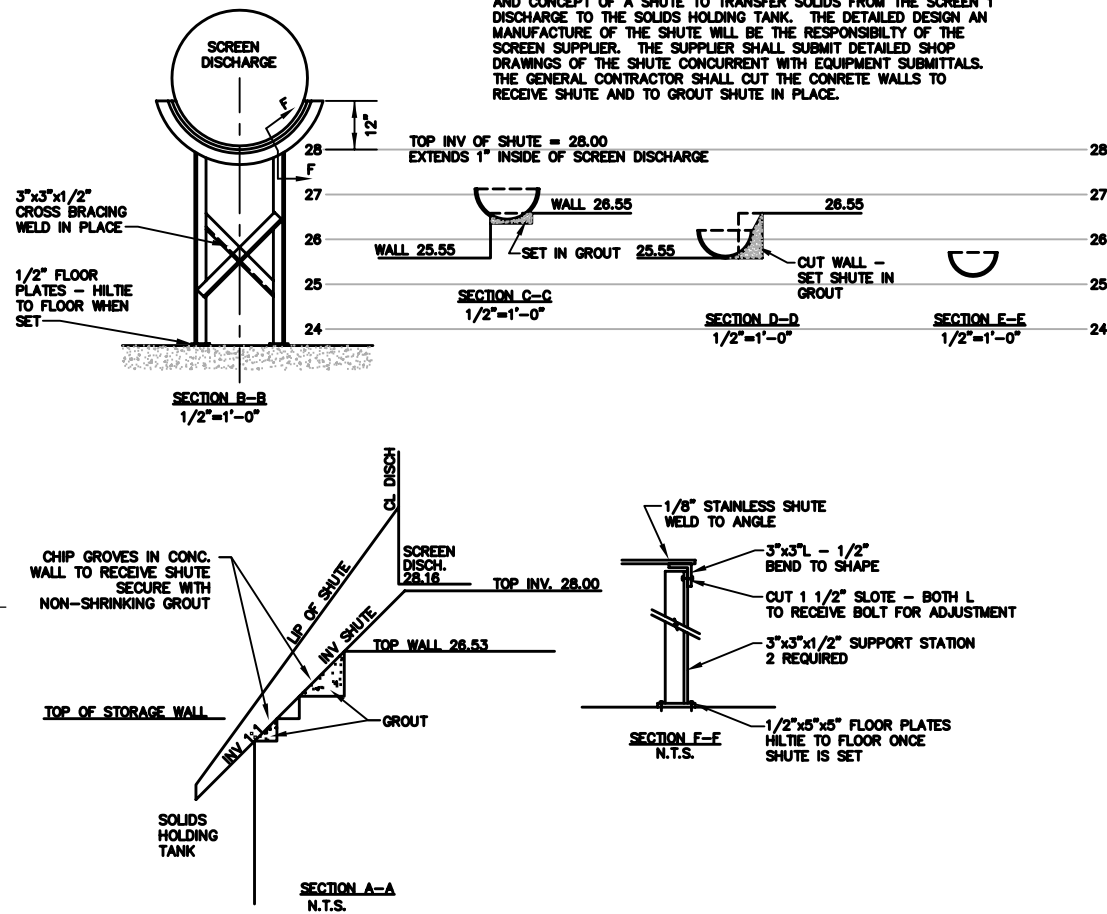


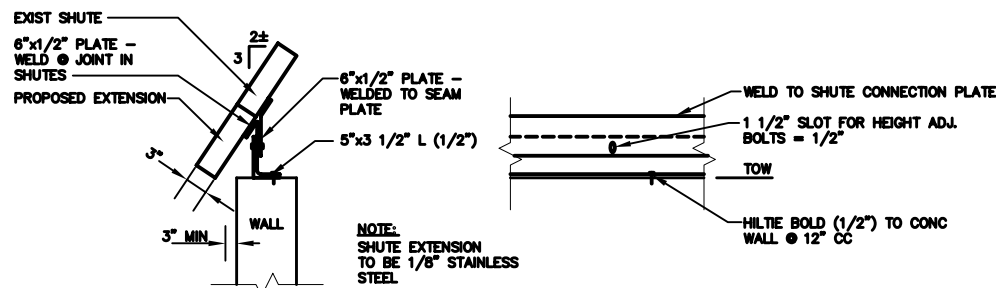
**NOTE:**  
THE DETAILS SHOWN ON THIS DRAWING REPRESENTS THE INTENT AND CONCEPT OF A SHUTE TO TRANSFER SOLIDS FROM THE SCREEN 1 DISCHARGE TO THE SOLIDS HOLDING TANK. THE DETAILED DESIGN AND MANUFACTURE OF THE SHUTE WILL BE THE RESPONSIBILITY OF THE SCREEN SUPPLIER. THE SUPPLIER SHALL SUBMIT DETAILED SHOP DRAWINGS OF THE SHUTE CONCURRENT WITH EQUIPMENT SUBMITTALS. THE GENERAL CONTRACTOR SHALL CUT THE CONCRETE WALLS TO RECEIVE SHUTE AND TO GROUT SHUTE IN PLACE.



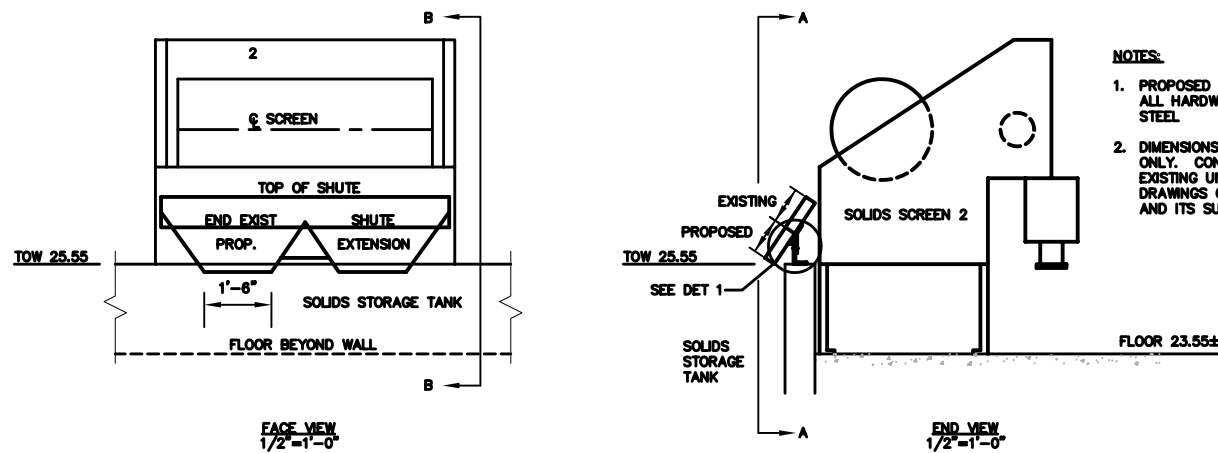
PLAN  
1/2"=1'-0"

**SOLIDS SCREEN NO. 1 SHUTE PLAN AND DETAILS**

SCALE: AS NOTED

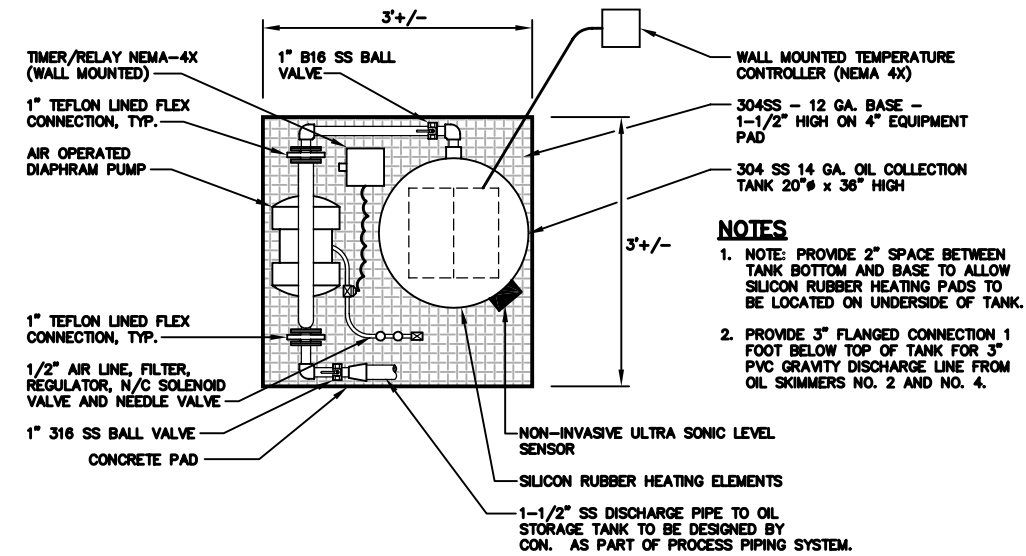


DETAIL 1  
1"=1'-0"

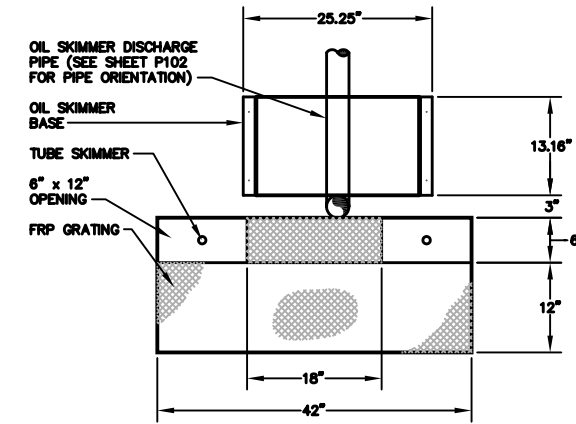


**SOLIDS SCREEN NO. 2 SHUTE PLAN AND DETAILS**

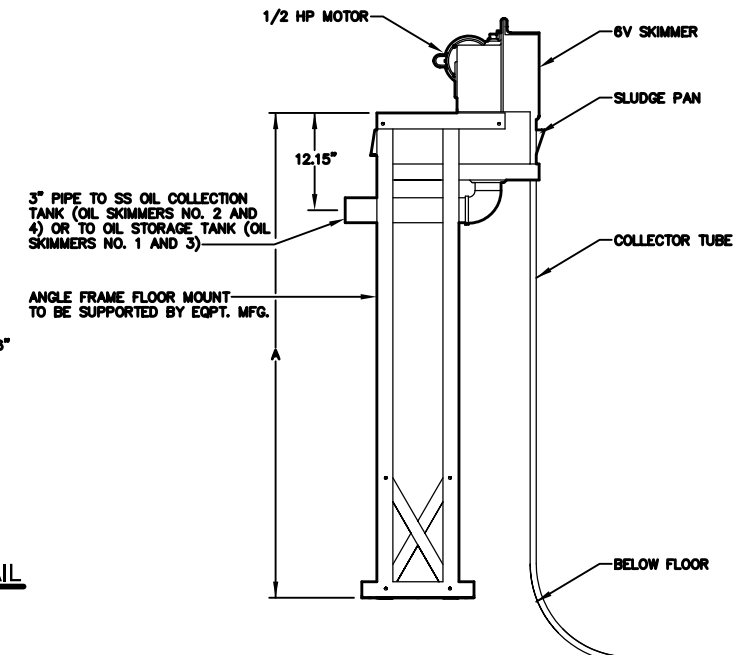
SCALE: AS NOTED



**OIL COLLECTION AND PUMPING SYSTEM EQUIPMENT PLAN**  
NOT TO SCALE (TWO REQUIRED)



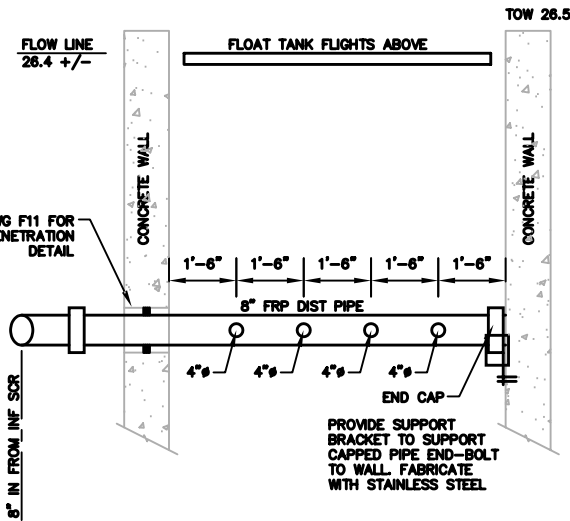
**OIL SKIMMER BASE AND GRATING DETAIL**  
SCALE: 1"=1'-0"



OIL SKIMMER NO.	A DIMENSION (INCHES)
1	70.5
2	54.5
3	60.5
4	54.5

**OIL SKIMMER DETAIL**  
NOT TO SCALE

- NOTES:**
1. PROPOSED SHUTE EXTENSION & ALL HARDWARE SHALL BE STAINLESS STEEL.
  2. DIMENSIONS SHOWN ARE APPROXIMATE ONLY. CONTRACTOR SHALL FIELD MEASURE EXISTING UNIT AND SHALL SUBMIT SHOP DRAWINGS OF PROPOSED SHUTE EXTENSION AND ITS SUPPORT SYSTEM.



**FLOAT TANK FLOW DISTRIBUTION PORTS**  
SCALE: N.T.S.

REV.	BY	DATE	STATUS	CAD NO.
C	RCL	12/19/02	ISSUED FOR: BIDS	760_C_P-113
B	RCL	12/12/02	ISSUED FOR: CLIENT REVIEW	760_B_P-115

THIS ELECTRONIC FILE IS THE PROPERTY OF ENVIRONMENTAL ENGINEERING & REMEDIATION, INC. AND IS TO BE USED ONLY FOR THE SPECIFIC PROJECT IDENTIFIED ON THE DRAWING. NO REVISIONS OR COPIES, IN PART OR WHOLE, SHALL BE MADE WITHOUT THE EXPRESSED WRITTEN CONSENT OF ENVIRONMENTAL ENGINEERING & REMEDIATION, INC. ANY ALTERATIONS, AUTHORIZED OR OTHERWISE, SHALL BE AT THE USER'S RISK AND WITHOUT LIABILITY TO ENVIRONMENTAL ENGINEERING & REMEDIATION, INC.

**BARBER FOODS  
WASTEWATER PRETREATMENT FACILITY**  
  
**MISCELLANEOUS  
DETAILS NO. 2**

**EER** Environmental Engineering & Remediation, Inc.  
222 St. John Street, Suite 714 Portland, Maine 04102

DESIGN BY:	RCL
DRAWN BY:	JWR
CHECKED BY:	SJD
DATE:	10-20-02
JOB NO.:	700
SCALE:	AS NOTED
P-112	SHEET 43 OF 48