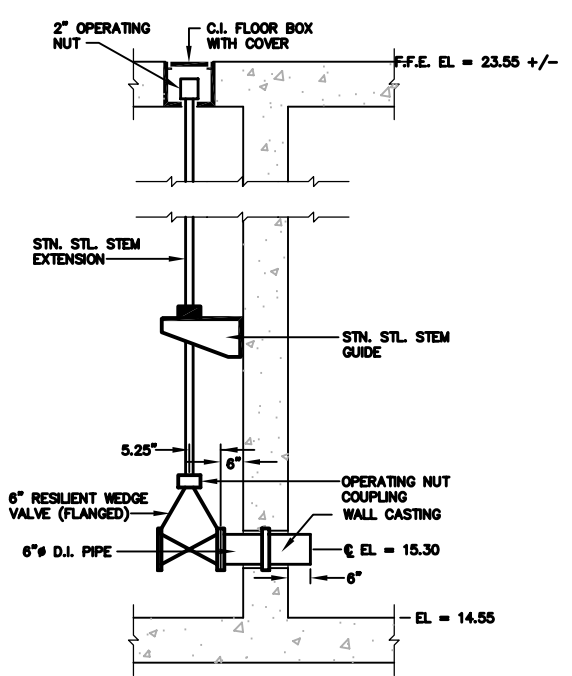
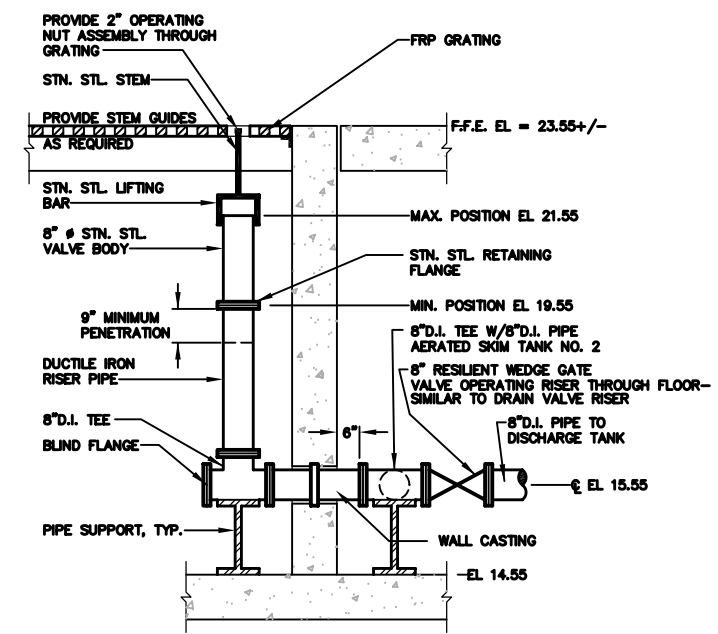


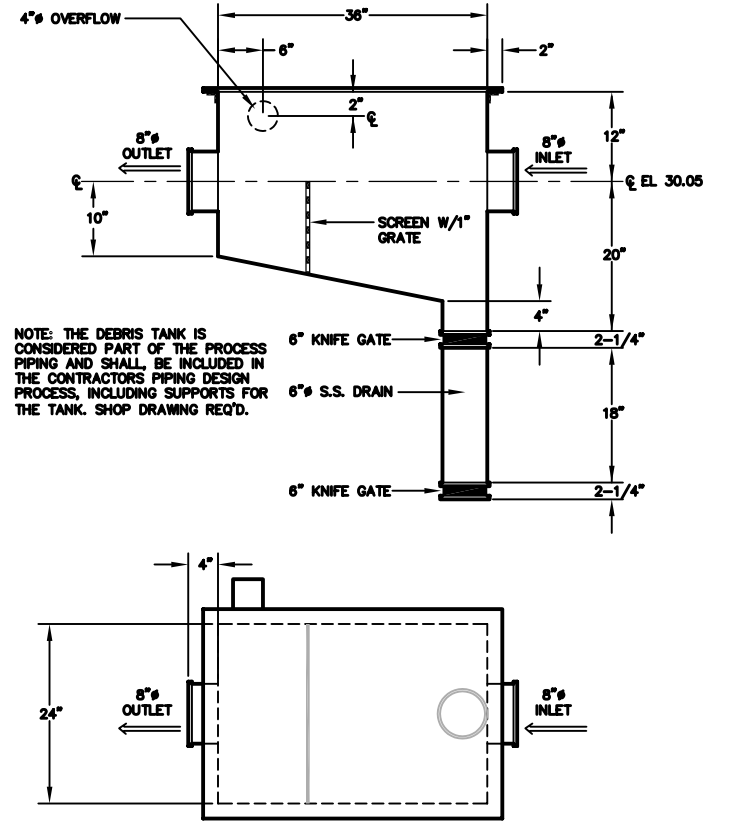
FLOAT REMOVAL TANK WEIR TROUGH DETAIL
NOT TO SCALE



DRAIN VALVE DETAIL
NOT TO SCALE (NOS. 1 & 2)
NOTE: TYPICAL FOR ALL BELOW FLOOR VALVE

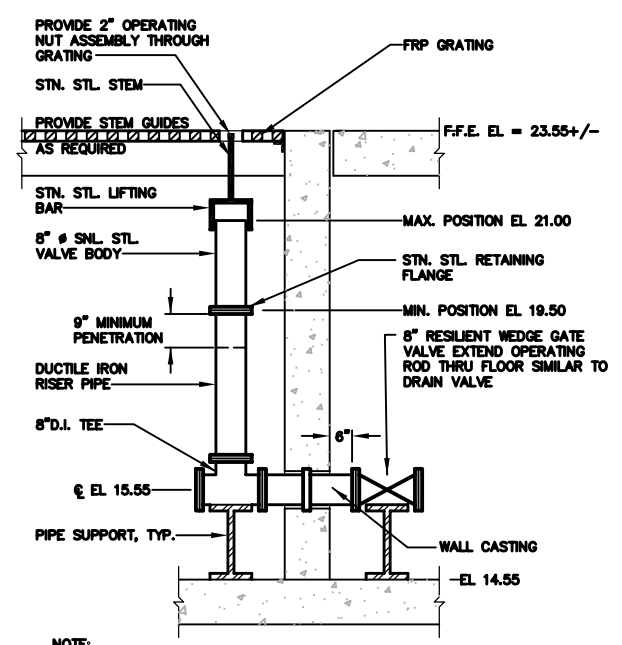


TELESCOPING VALVE DETAIL
NOT TO SCALE (NO. 1)
NOTES:
1. PROVIDE OPERATING NUTS, STEM EXTENSION, STEM GUIDE AND FLOOR BOX FOR GATE VALVES AS SHOWN ON DRAIN VALVE DETAIL.
2. PROVIDE 3"x3"x3.5" DEEP SCUM BAFFLES AT EACH TELESCOPING VALVE. BAFFLES SHALL BE CONSTRUCTED OF 12GA 304L SS SHEET AND ANCHORED TO WALLS AND FLOOR SLAB WITH SS HARDWARE. SEE DWG P-113

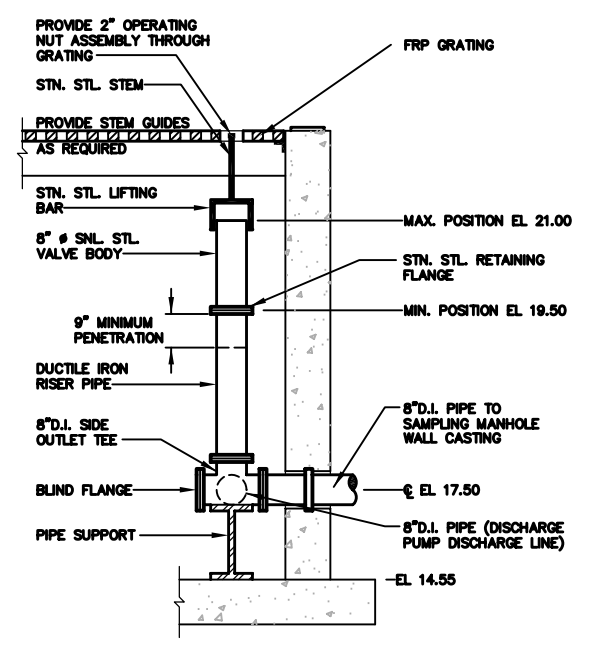


NOTE: THE DEBRIS TANK IS CONSIDERED PART OF THE PROCESS PIPING AND SHALL BE INCLUDED IN THE CONTRACTORS PIPING DESIGN PROCESS, INCLUDING SUPPORTS FOR THE TANK. SHOP DRAWING REQ'D.

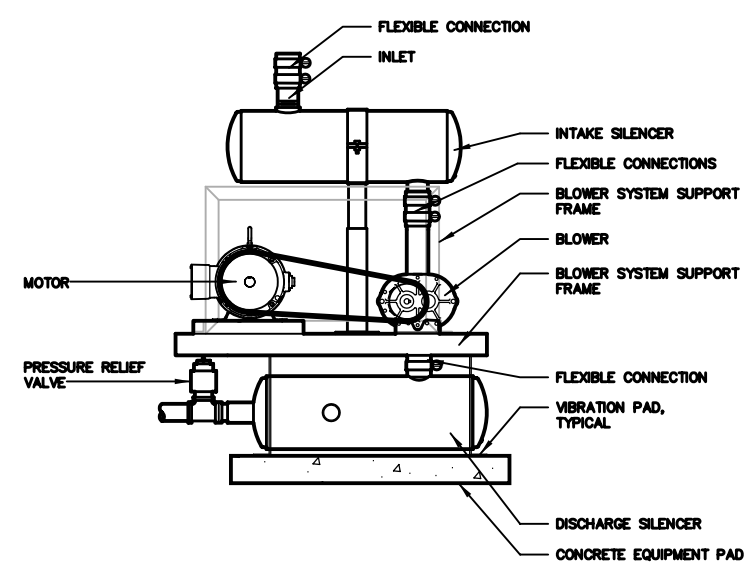
DEBRIS TANK DETAIL
NOT TO SCALE



TELESCOPING VALVE DETAIL
NOT TO SCALE (NO. 2)



TELESCOPING VALVE DETAIL
NOT TO SCALE (NO. 3)



TYPICAL BLOWER LAYOUT
NOT TO SCALE

C	RCL	12/19/02	ISSUED FOR: BID	760_c_P-112
B	RCL	12/12/02	ISSUED FOR: CLIENT REVIEW	760_b_P-114
REV.	BY	DATE	STATUS	CAD NO.

THIS ELECTRONIC FILE IS THE PROPERTY OF ENVIRONMENTAL ENGINEERING & REMEDIATION, INC. AND IS TO BE USED ONLY FOR THE SPECIFIC PROJECT IDENTIFIED ON THE DRAWING. NO REVISIONS OR COPIES, IN PART OR WHOLE, SHALL BE MADE WITHOUT THE EXPRESSED WRITTEN CONSENT OF ENVIRONMENTAL ENGINEERING & REMEDIATION, INC. ANY ALTERATIONS, AUTHORIZED OR OTHERWISE, SHALL BE AT THE USER'S RISK AND WITHOUT LIABILITY TO ENVIRONMENTAL ENGINEERING & REMEDIATION, INC.

**BARBER FOODS
WASTEWATER PRETREATMENT FACILITY**

**MISCELLANEOUS
DETAILS NO. 1**

EER Environmental Engineering & Remediation, Inc.
222 St. John Street, Suite 714 Portland, Maine 04102

DESIGN BY:	RCL
DRAWN BY:	JWR
CHECKED BY:	SJD
DATE:	10-20-02
JOB NO:	700
SCALE:	AS NOTED
P-111	
SHEET	42 OF 48