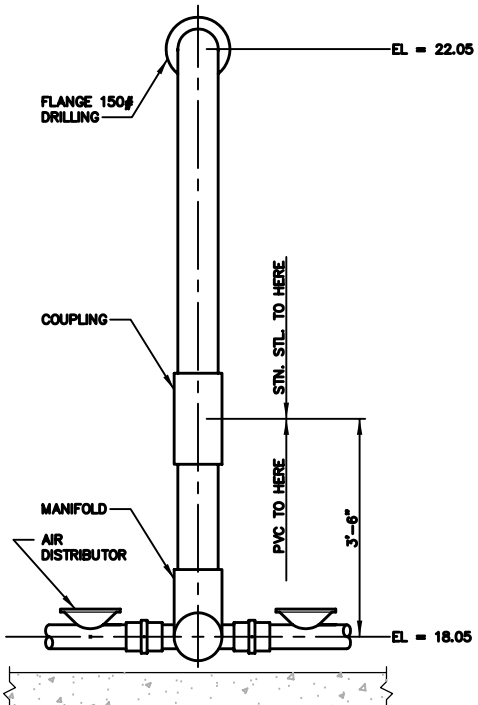
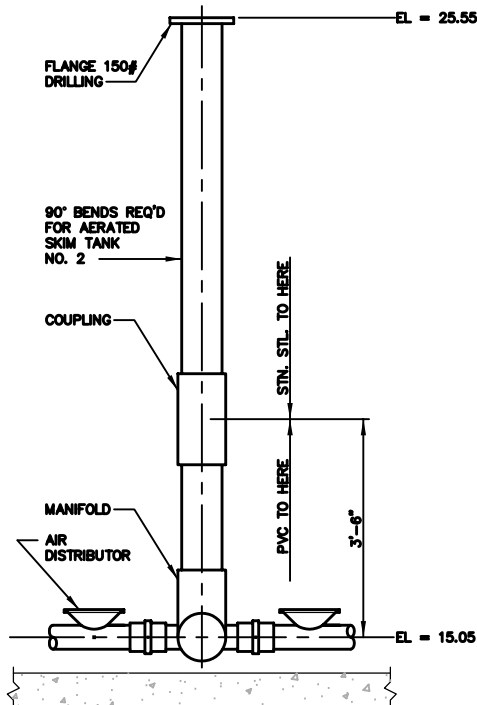


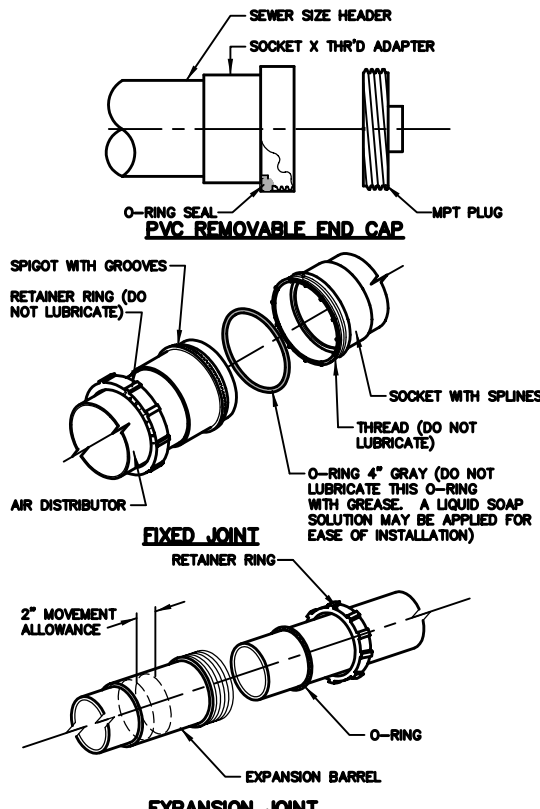
**PVC TO SS CLAMP COUPLING**  
NOT TO SCALE



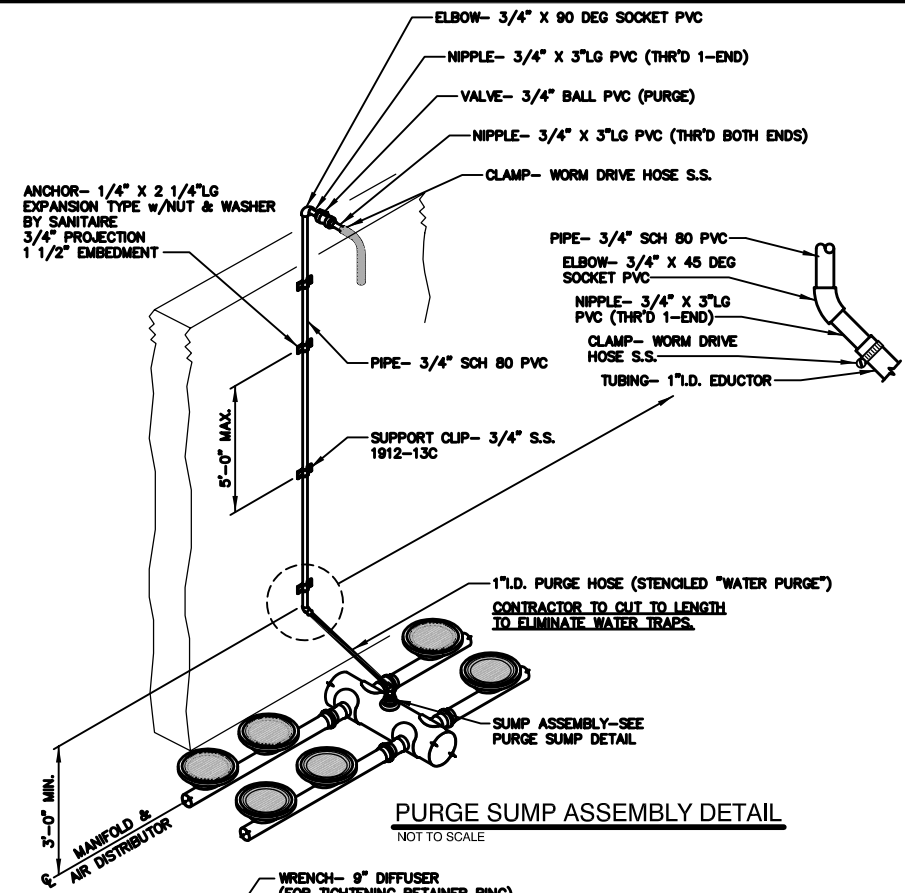
**DROP LEG SUPPORT DETAIL**  
NOT TO SCALE (FLOAT REMOVAL TANK)



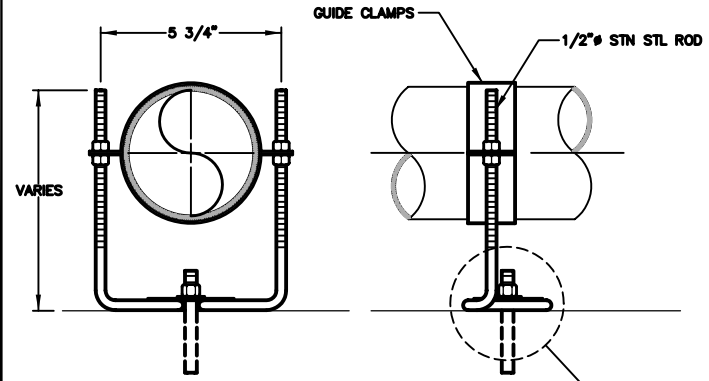
**DROP LEG SUPPORT DETAIL**  
NOT TO SCALE (AERATED SKIM TANKS NO. 1 AND NO. 2)



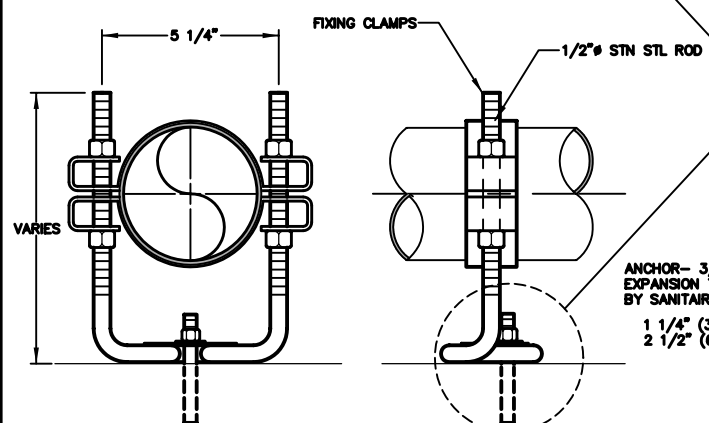
**DISTRIBUTOR CONNECTION DETAILS**  
NOT TO SCALE



**PURGE SUMP ASSEMBLY DETAIL**  
NOT TO SCALE

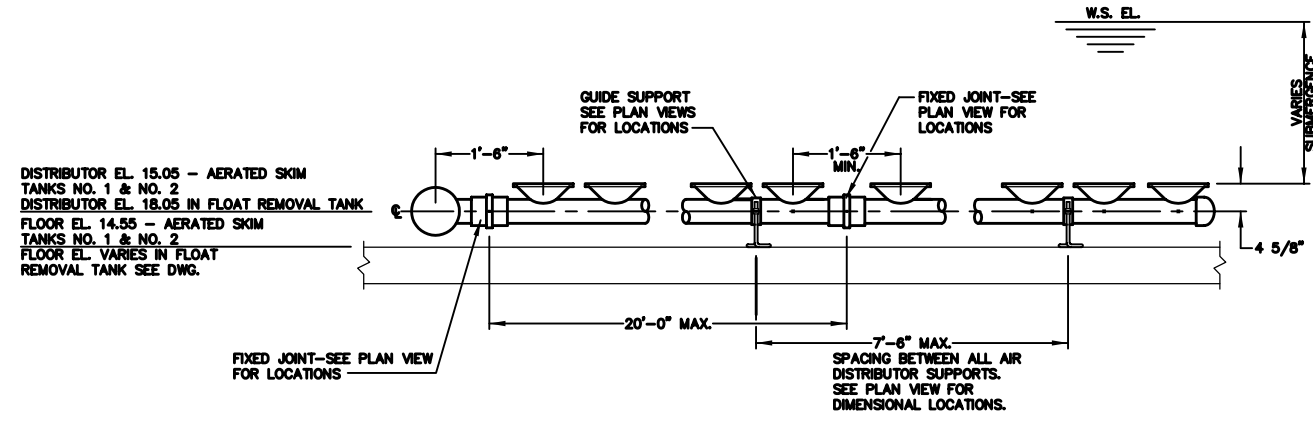


**GUIDE SUPPORT**  
(PROVIDE AS REQUIRED)

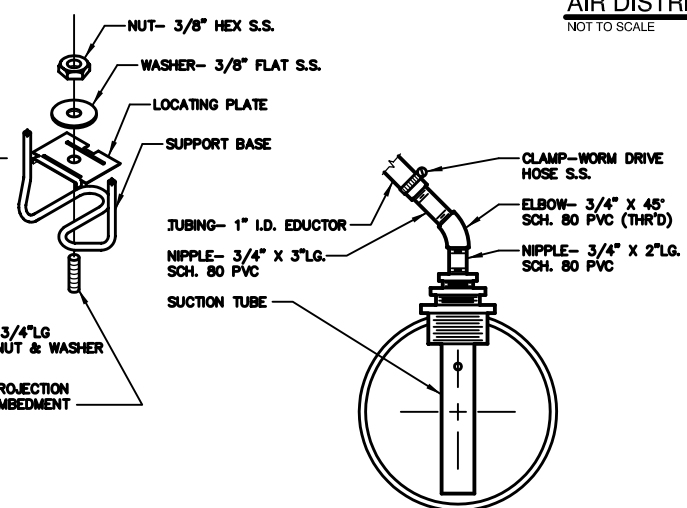


**ANCHOR SUPPORT**  
(PROVIDE AS REQUIRED)

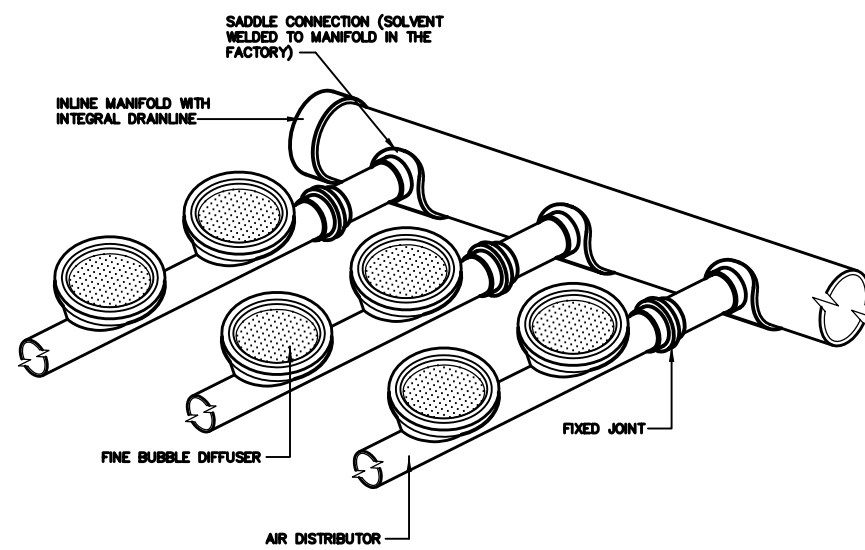
**SUPPORT DETAILS**  
NOT TO SCALE



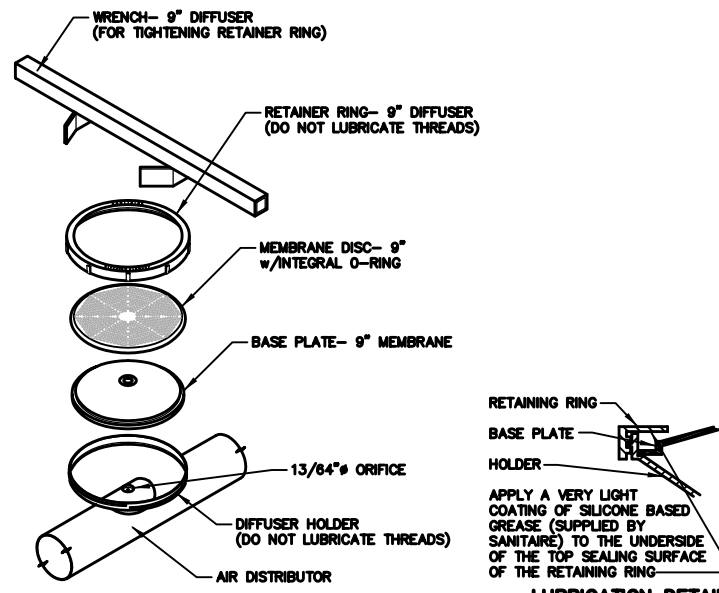
**AIR DISTRIBUTOR DETAIL**  
NOT TO SCALE



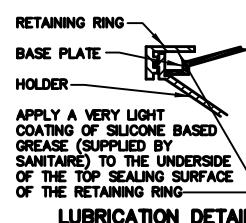
**PURGE SUMP DETAIL**  
NOT TO SCALE



**FINE BUBBLE DISC AERATION SYSTEM DETAIL**  
NOT TO SCALE



**9" EPDM DIFFUSER ASSEMBLY**  
NOT TO SCALE



**LUBRICATION DETAIL**

C	RCL	12/19/02	ISSUED FOR: BID	760_bc_P-110
A	RCL	10/02/02	ISSUED FOR: CLIENT REVIEW	760_a_P-103
REV.	BY	DATE	STATUS	CAD NO.

THIS ELECTRONIC FILE IS THE PROPERTY OF ENVIRONMENTAL ENGINEERING & REMEDIATION, INC. AND IS TO BE USED ONLY FOR THE SPECIFIC PROJECT IDENTIFIED ON THE DRAWING. NO REVISIONS OR COPIES, IN PART OR WHOLE, SHALL BE MADE WITHOUT THE EXPRESSED WRITTEN CONSENT OF ENVIRONMENTAL ENGINEERING & REMEDIATION, INC. ANY ALTERATIONS, APPROVED OR OTHERWISE, SHALL BE AT THE USER'S RISK AND WITHOUT LIABILITY TO ENVIRONMENTAL ENGINEERING & REMEDIATION, INC.

**BARBER FOODS  
WASTEWATER PRETREATMENT FACILITY**

**DIFFUSED AIR  
AERATION DETAILS**

**EER** Environmental Engineering & Remediation, Inc.  
222 St. John Street, Suite 714 Portland, Maine 04102

DESIGN BY:	RCL
DRAWN BY:	JAR
CHECKED BY:	SJD
DATE:	08-30-02
JOB NO.:	700
SCALE:	AS NOTED
P-109	
SHEET	40 OF 48