

City of Portland, Maine - Building or Use Permit Application
 389 Congress Street, 04101 Tel: (207) 874-8703, Fax: (207) 874-8716

Permit No: 020771	Issue Date: JUL 22 2002	CBL: 070 A005001
----------------------	----------------------------	---------------------

Location of Construction: 54 St John St	Owner Name: St John Street Associates	Owner Address: Po Box 4821 Portland	Phone: 207-772-2934
Business Name: n/a	Contractor Name: Sheridan Corporation	Contractor Address: Portland	Phone: 2075439311
Lessee/Buyer's Name: n/a	Phone: n/a	Permit Type: Additions - Commercial	Zone: IM1

Past Use: Commercial / Barber Foods; Food Processing	Proposed Use: Food Processing / Add 6' x 10' Electrical room on existing second floor.	Permit Fee: \$121.00	Cost of Work: \$14,000.00	CEO District: 3
--	--	--------------------------------	-------------------------------------	---------------------------

Proposed Project Description: Add 6' x 10' Electrical Room on existing second floor.	FIRE DEPT: <input checked="" type="checkbox"/> Approved <input type="checkbox"/> Denied	INSPECTION: Use Group: F Type: N/A
	Signature: <i>[Signature]</i>	Signature: <i>[Signature]</i>

Permit Taken By: gg	Date Applied For: 07/12/2002	Zoning Approval
-------------------------------	--	------------------------

1. This permit application does not preclude the Applicant(s) from meeting applicable State and Federal Rules. 2. Building permits do not include plumbing, septic or electrical work. 3. Building permits are void if work is not started within six (6) months of the date of issuance. False information may invalidate a building permit and stop all work..	Special Zone or Reviews <input type="checkbox"/> Shoreland <input type="checkbox"/> Wetland <input type="checkbox"/> Flood Zone <input type="checkbox"/> Subdivision <input type="checkbox"/> Site Plan Maj <input type="checkbox"/> Minor <input type="checkbox"/> MM <input type="checkbox"/> Date: <i>ON 7/16/02</i>	Zoning Appeal <input type="checkbox"/> Variance <input type="checkbox"/> Miscellaneous <input type="checkbox"/> Conditional Use <input type="checkbox"/> Interpretation <input type="checkbox"/> Approved <input type="checkbox"/> Denied Date:	Historic Preservation <input checked="" type="checkbox"/> Not in District or Landmark <input type="checkbox"/> Does Not Require Review <input type="checkbox"/> Requires Review <input type="checkbox"/> Approved <input type="checkbox"/> Approved w/Conditions <input type="checkbox"/> Denied Date:
--	---	---	--

CERTIFICATION

I hereby certify that I am the owner of record of the named property, or that the proposed work is authorized by the owner of record and that I have been authorized by the owner to make this application as his authorized agent and I agree to conform to all applicable laws of this jurisdiction. In addition, if a permit for work described in the application is issued, I certify that the code official's authorized representative shall have the authority to enter all areas covered by such permit at any reasonable hour to enforce the provision of the code(s) applicable to such permit.

 SIGNATURE OF APPLICANT ADDRESS DATE PHONE

 RESPONSIBLE PERSON IN CHARGE OF WORK, TITLE DATE PHONE

DISPLAY THIS CARD ON PRINCIPAL FRONTAGE OF WORK CITY OF PORTLAND

Please Read
Application And
Notes, If Any,
Attached

BUILDING DEPARTMENT

PERMIT

Permit Number: 020771

This is to certify that St John Street Associates/Sheehan Corp

has permission to Add 6' x 10' Electrical Room existing second fl

AT 54 St John St 070 A005001

provided that the person or persons, firm or corporation accepting this permit shall comply with all of the provisions of the Statutes of Maine and of the ordinances of the City of Portland regulating the construction, maintenance and use of buildings and structures, and of the application on file in this department.

Apply to Public Works for street line and grade if nature of work requires such information.

Notification of inspection must be given and when permission is procured before this building or part thereof is laid or closed-in. **HEAR NOTICE IS REQUIRED.**

A certificate of occupancy must be procured by owner before this building or part thereof is occupied.

OTHER REQUIRED APPROVALS

Fire Dept. [Signature]

Health Dept. _____

Appeal Board _____

Other _____
Department Name

[Signature]
Director - Building & Inspection Services

PENALTY FOR REMOVING THIS CARD

TO: MIKE NUGENT
CITY OF PORTLAND
389 CONGRESS ST.

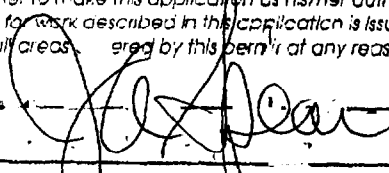
All Purpose Building Permit Application

If you or the property owner owes real estate or personal property taxes or user charges on any property within the City, payment arrangements must be made before permits of any kind are accepted.

Location/Address of Construction: 54 ST. JOHN ST. PORTLAND		
Total Square Footage of Proposed Structure N/A	Square Footage of Lot N/A	
Tax Assessor's Chart, Block & Lot Chart# 070 Block# A Lot# 005	Owner: BARBER FOODS	Telephone: (207) 772-1934
Lessee/Buyer's Name (if Applicable) N/A	Applicant name, address & telephone: JOHN A. SPEAR 130 BANK ST. LANDISVILLE, PA 17538	Cost Of Work: \$ 14,000 Fee: \$ 121.00
Current use: FOOD PRODUCTION (917) 898-2053		
If the location is currently vacant, what was prior use: N/A		
Approximately how long has it been vacant: N/A		
Proposed use: FOOD PROCESSING		
Project description: ADD 6' X 10' ELECTRICAL ROOM ON EXISTING SECOND FLOOR		
Contractor's name, address & telephone: SHERIDAN CORPORATION (207) 453-9311		
Who should we contact when the permit is ready: BRAD NELSON		
Mailing address: 33 SHERIDAN DRIVE FAIRFIELD, ME 04937		
We will contact you by phone when the permit is ready. You must come in and pick up the permit and review the requirements before starting any work, with a Plan Reviewer. A stop work order will be issued and a \$100.00 fee if any work starts before the permit is picked up. PHONE: (207) 453-9311		

IF THE REQUIRED INFORMATION IS NOT INCLUDED IN THE SUBMISSIONS THE PERMIT WILL BE AUTOMATICALLY DENIED AT THE DISCRETION OF THE BUILDING/PLANNING DEPARTMENT, WE MAY REQUIRE ADDITIONAL INFORMATION IN ORDER TO APPROVE THIS PERMIT.

I hereby certify that I am the Owner of record of the named property, or that the owner of record authorizes the proposed work and that I have been authorized by the owner to make this application as his/her authorized agent. I agree to conform to all applicable laws of this jurisdiction. In addition, if a permit for work described in this application is issued, I certify that the Code Official's authorized representative shall have the authority to enter all areas created by this permit at any reasonable hour to enforce the provisions of the codes applicable to this permit.

Signature of applicant:  Date: **JULY 10, 2002**

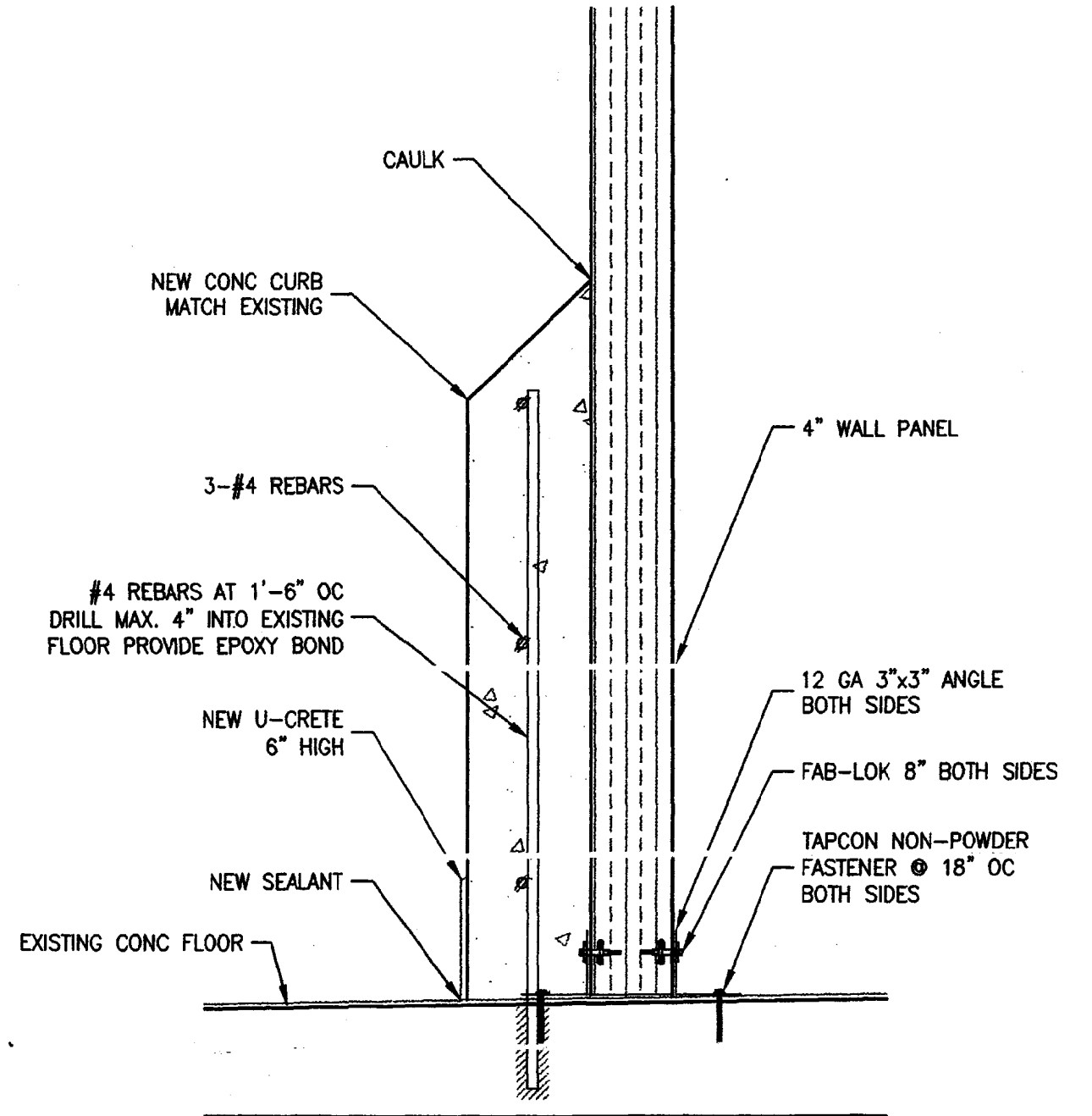
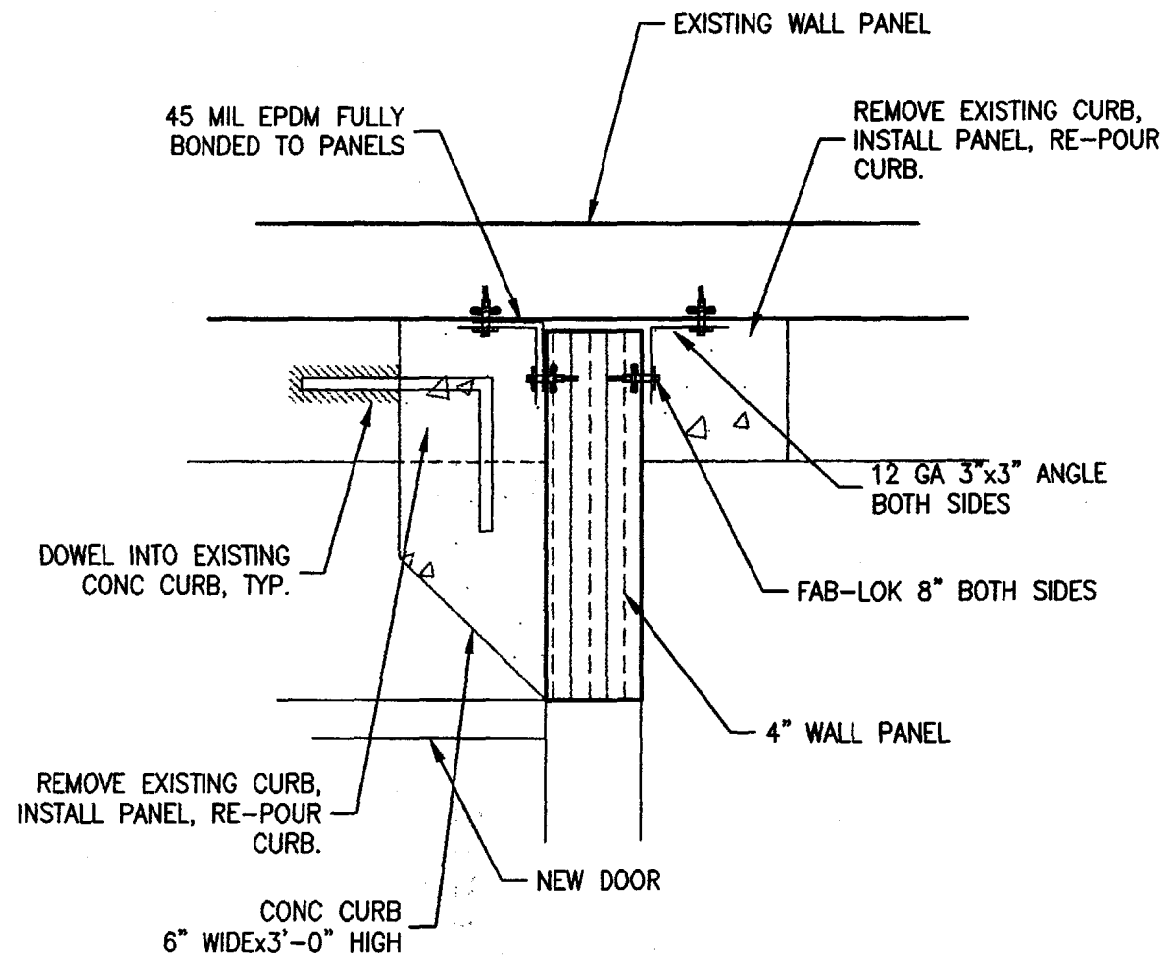
This is NOT a permit, if you may not commence ANY work until the permit is issued.
If you are in a Historic District you may be subject to additional permitting and fees with the Planning Department on the 4th floor of City Hall

4"x2" CONC CURB

EPOXY REBAR INTO FLOOR
(4 TOTAL)

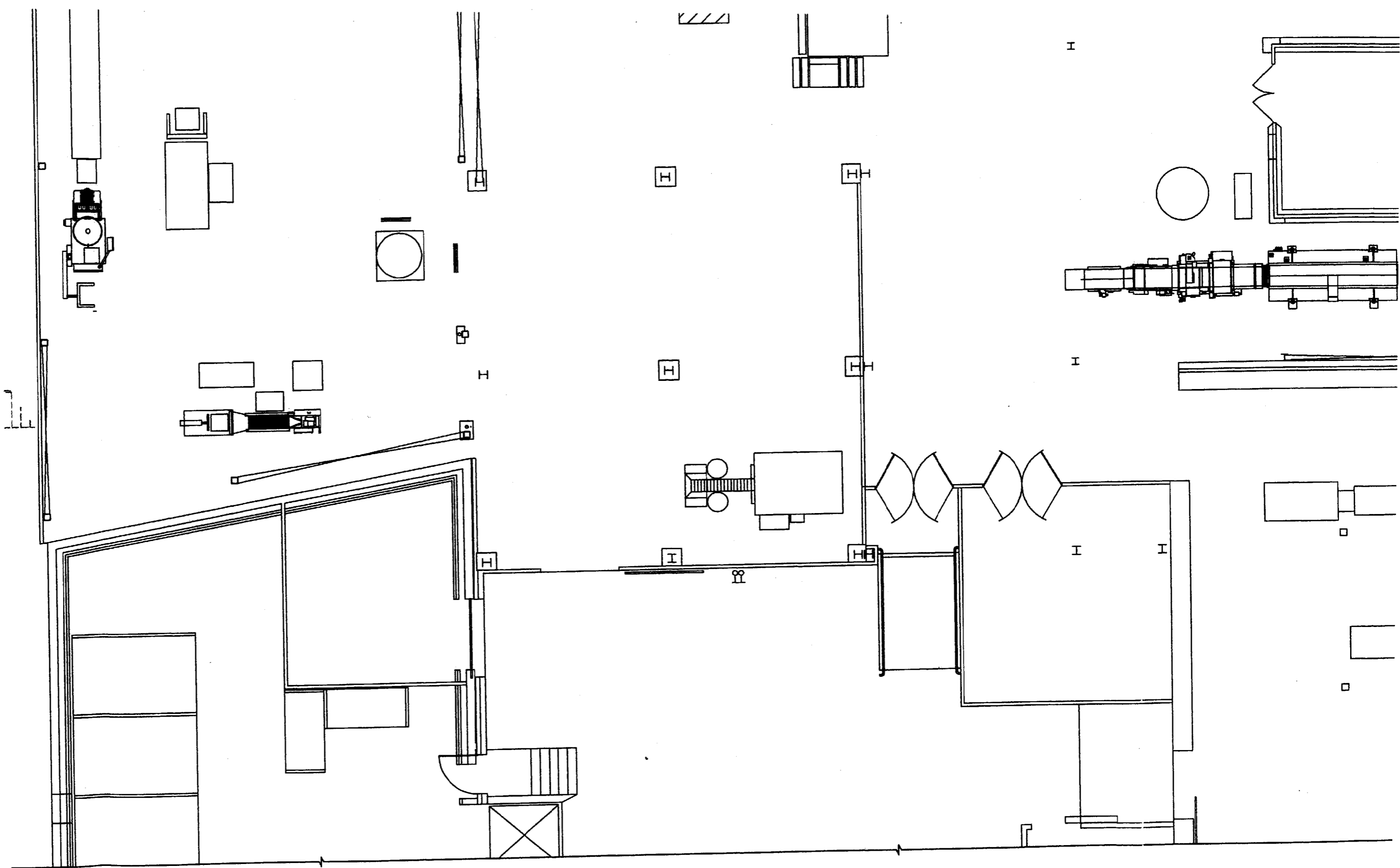
5 DETAIL TOP OF WALL
B-7 1-1/2"=1'-0"

4 THRESHOLD DETAIL
B-7 1-1/2"=1'-0"

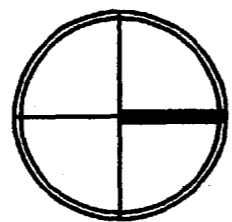
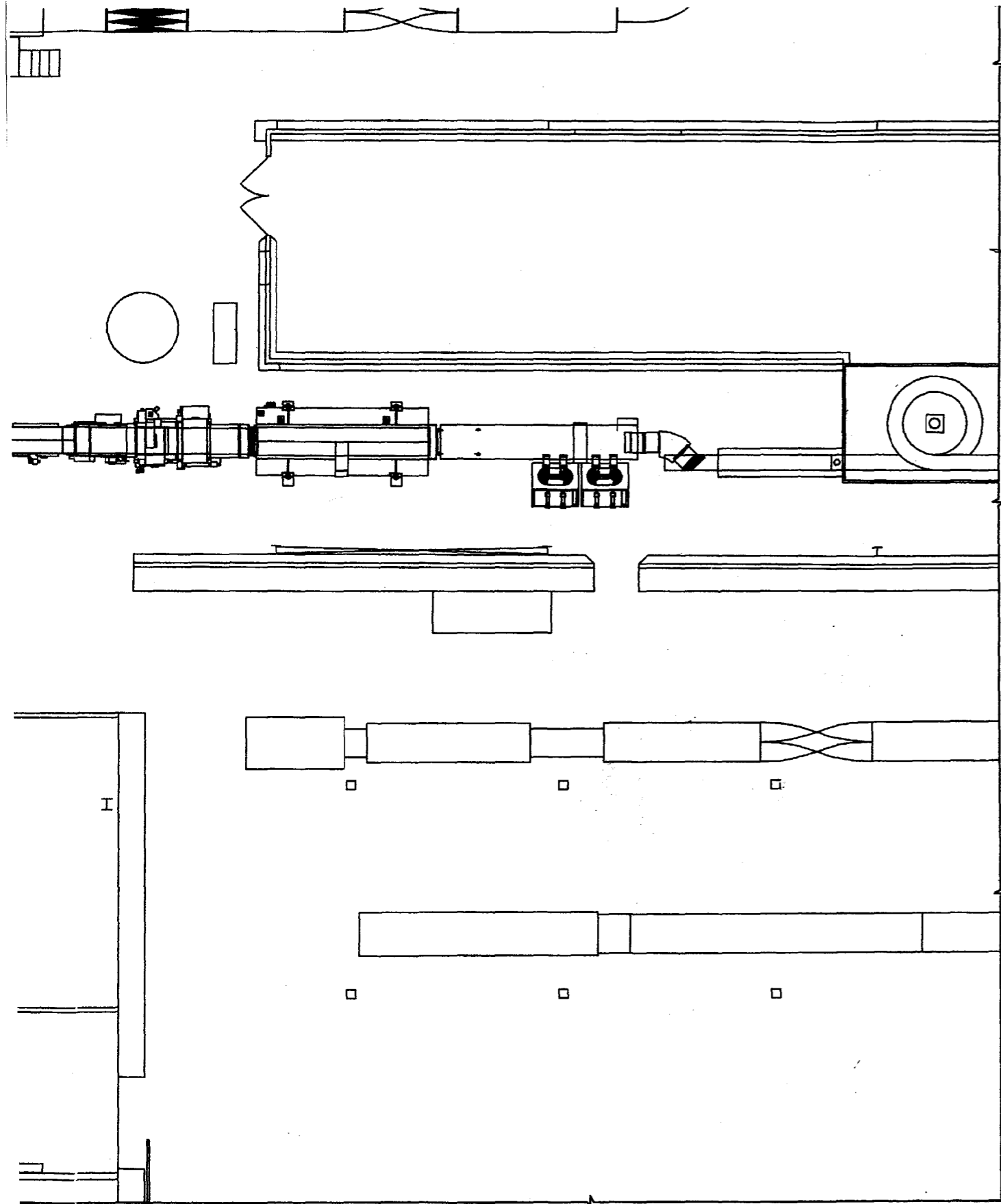


5 DETAIL
B-7 1-1/2"=1'-0"

7 CURB DETAIL
B-7 1-1/2"=1'-0"



1 LOCATION PLAN (SECOND FLOOR)
B-7 1/10"=1'-0"



SPEAR & ASSOCIATES
Engineers and Architects

130 Bank Street
PO Box 95
Landisville Pennsylvania 17538
Phone : (717) 898-2053

Date: JUNE 12, 2002

Scale: as noted

Drawn By: B.E.K

Checked By: J.A.S.

CADD Drawing Number:
1370.6 B-7

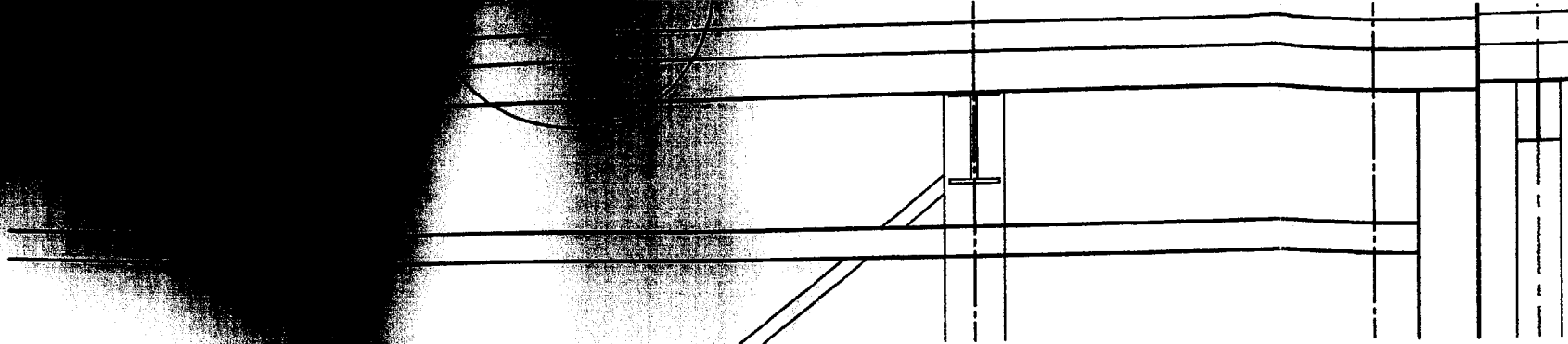
NEW SECOND FLOOR ELECTRICAL ROOM

2001 EXPANSION
BARBER FOODS
54 ST. JOHN STREET PORTLAND, MAINE

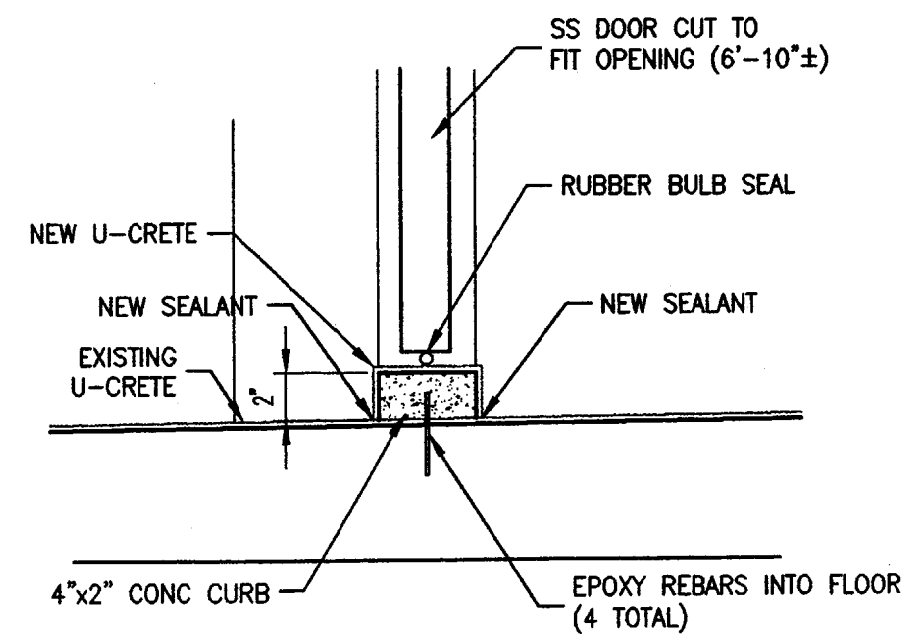
1370.6

Project Number

B-7

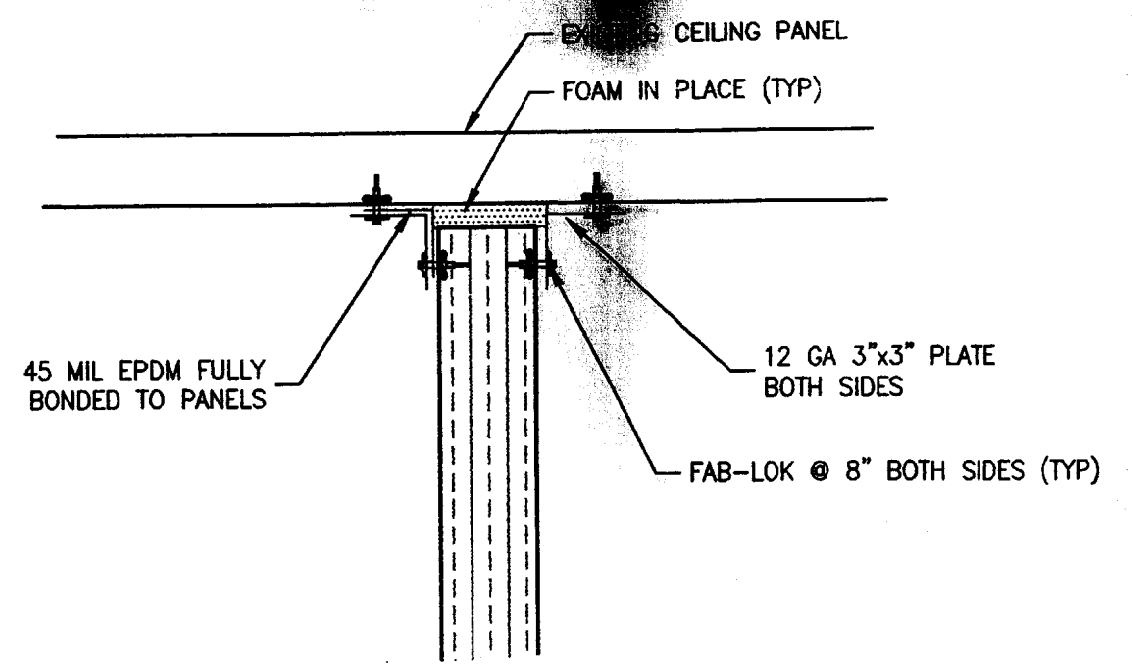


3 SECTION
B-7 1/2"=1'-0"

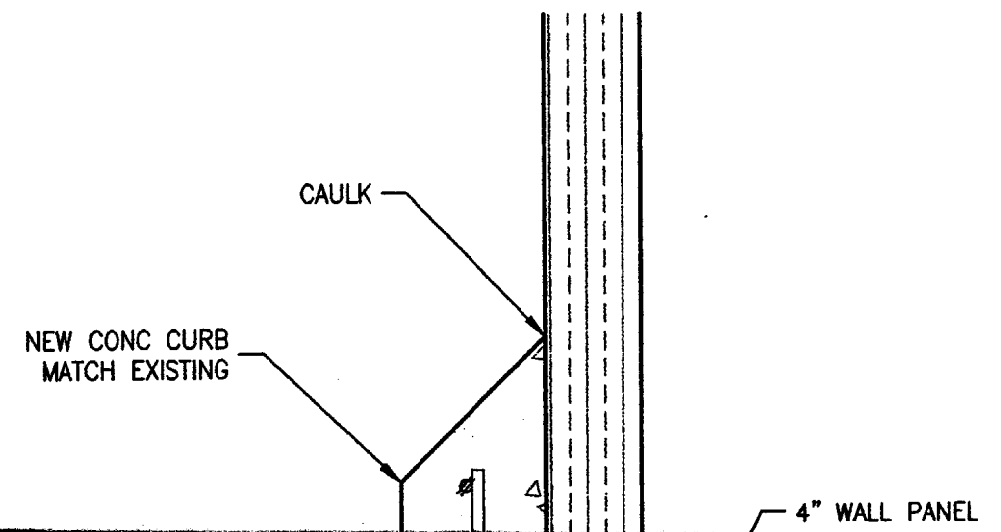


4 THRESHOLD DETAIL
B-7 1-1/2"=1'-0"

EXISTING WALL PANEL



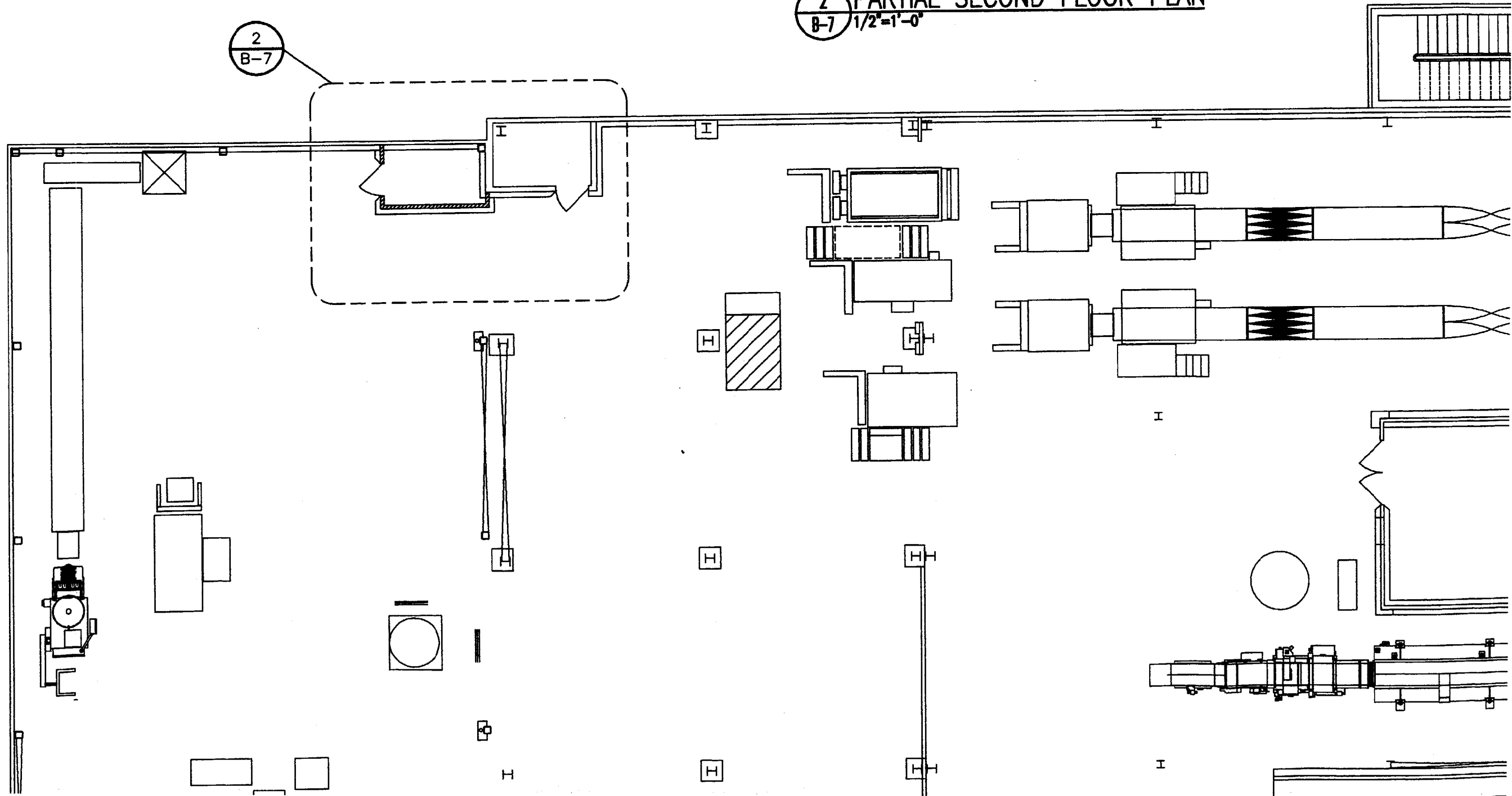
5 DETAIL TOP OF WALL
B-7 1-1/2"=1'-0"

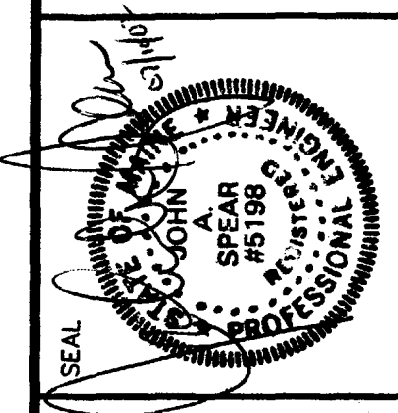
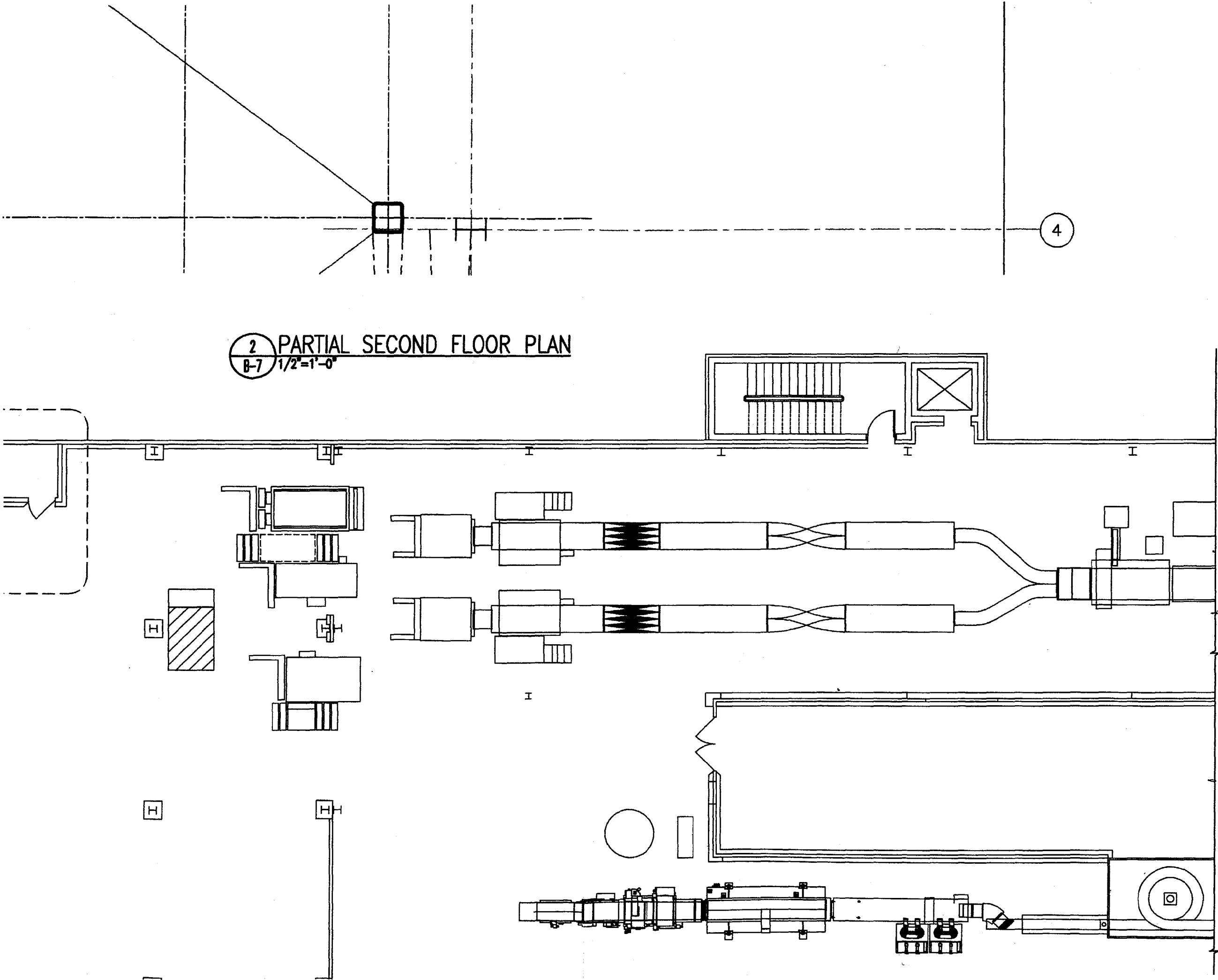


2 PARTIAL SECOND FLOOR PLAN
B-7 1/2"=1'-0"

2
B-7

DATE
SIDES (TYP)

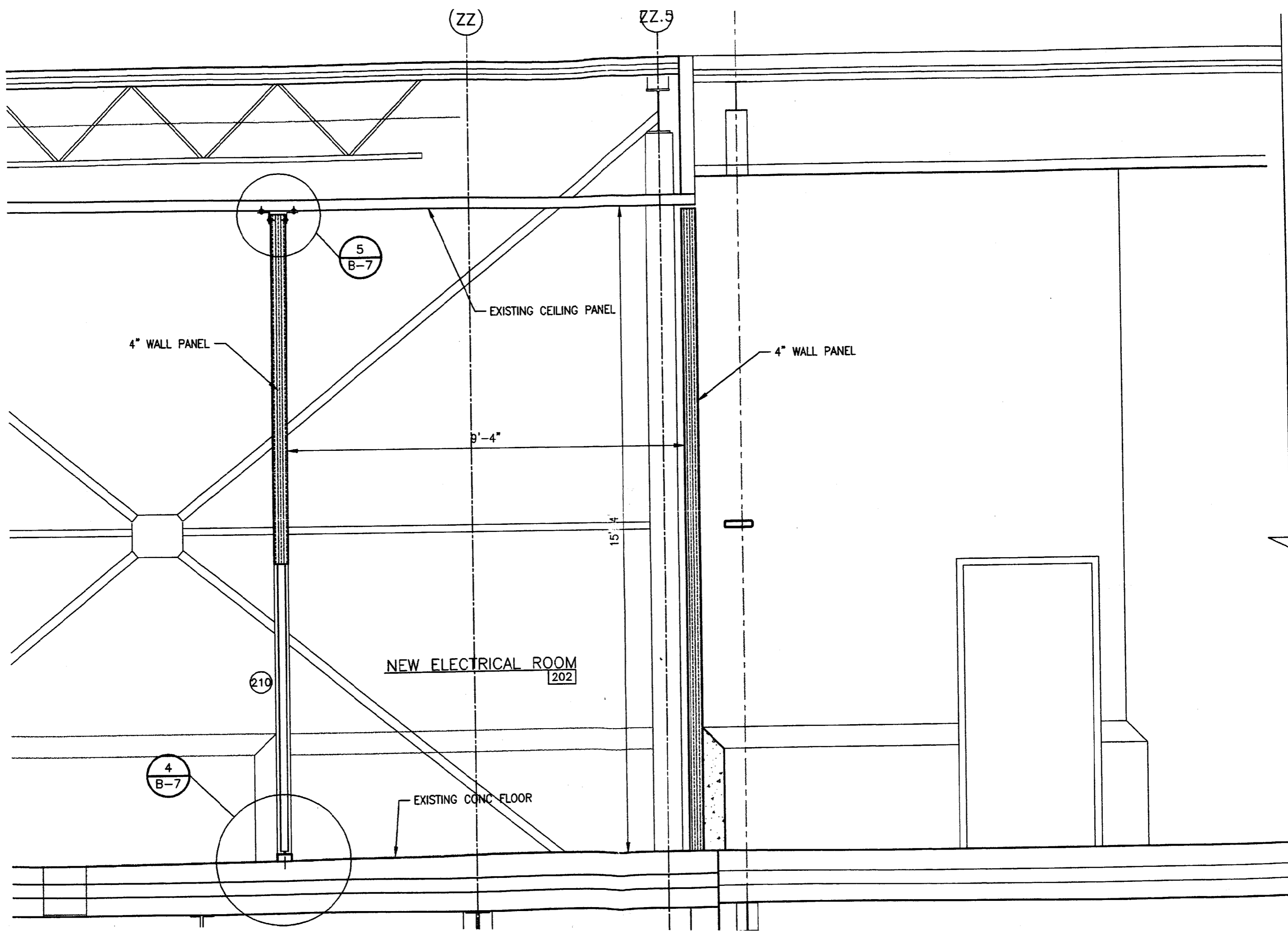


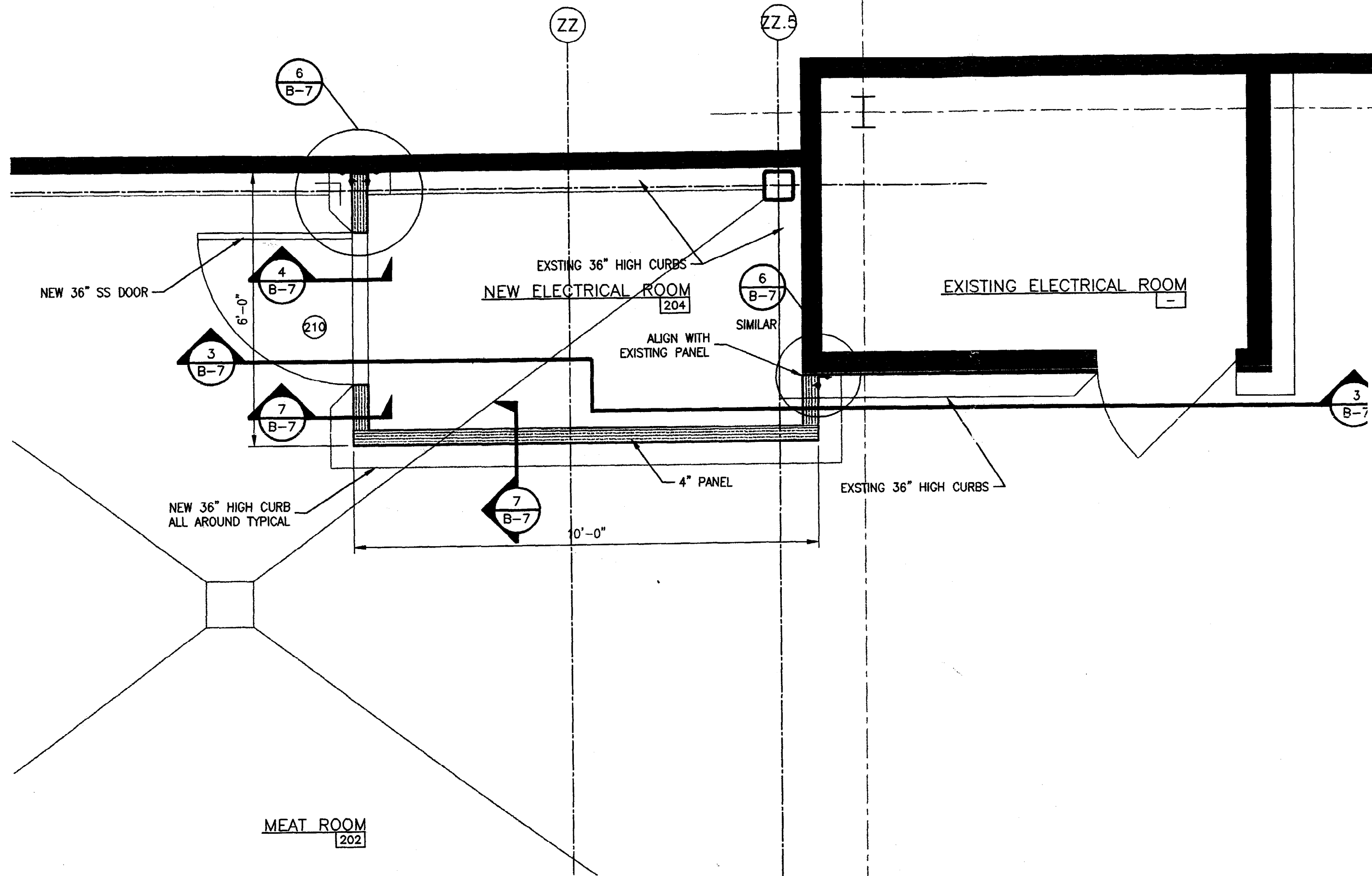


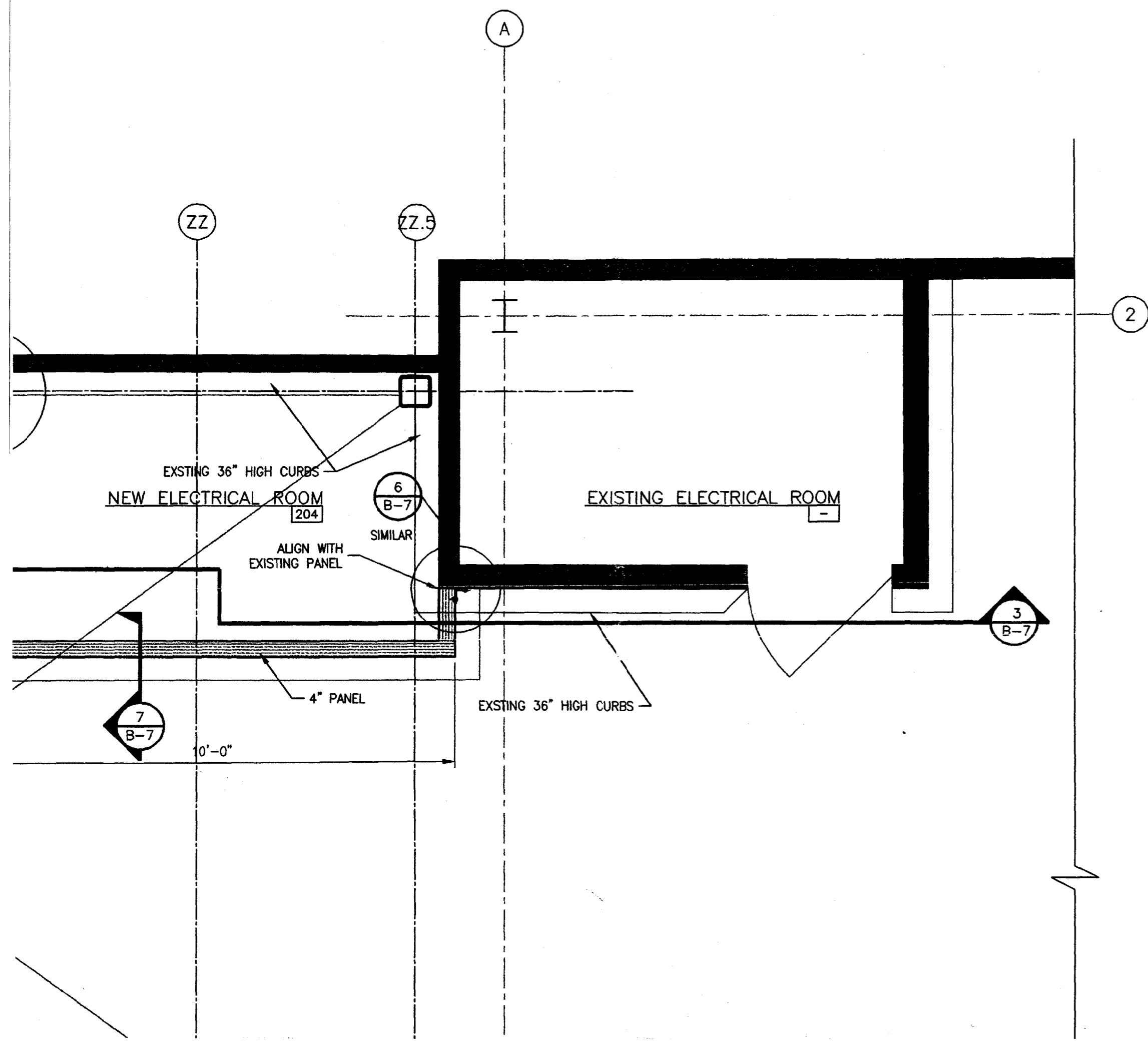
SPEAR & ASSOCIATES LLC
Engineers and Consultants

130 Bank Street
PO Box 95
Landisville Pennsylvania 17538
Phone : (717) 898-2053 Fax: (717)-898-1888

Date: JUNE 12, 2002	
Scale: as noted	
Drawn By:	B.E.K
Checked By:	J.A.S.
CAD Drawing Number: 1370.B B-7	







This drawing and all information contained herein, remains the property of Spear & Associates LLC. All information contained on this drawing is to be used for REFERENCE ONLY!. Any information derived from these drawings must be verified and reviewed for any discrepancies. All rights are expressly reserved and this drawing may not be reproduced in whole or in part without the express written consent of Spear & Associates.

Revision Documentation		Revision Description	Int.
No.	Det.		
6			
5			
4			
3			
2			
1			