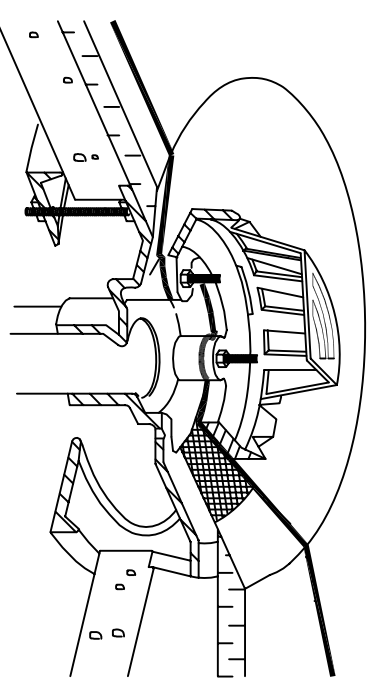
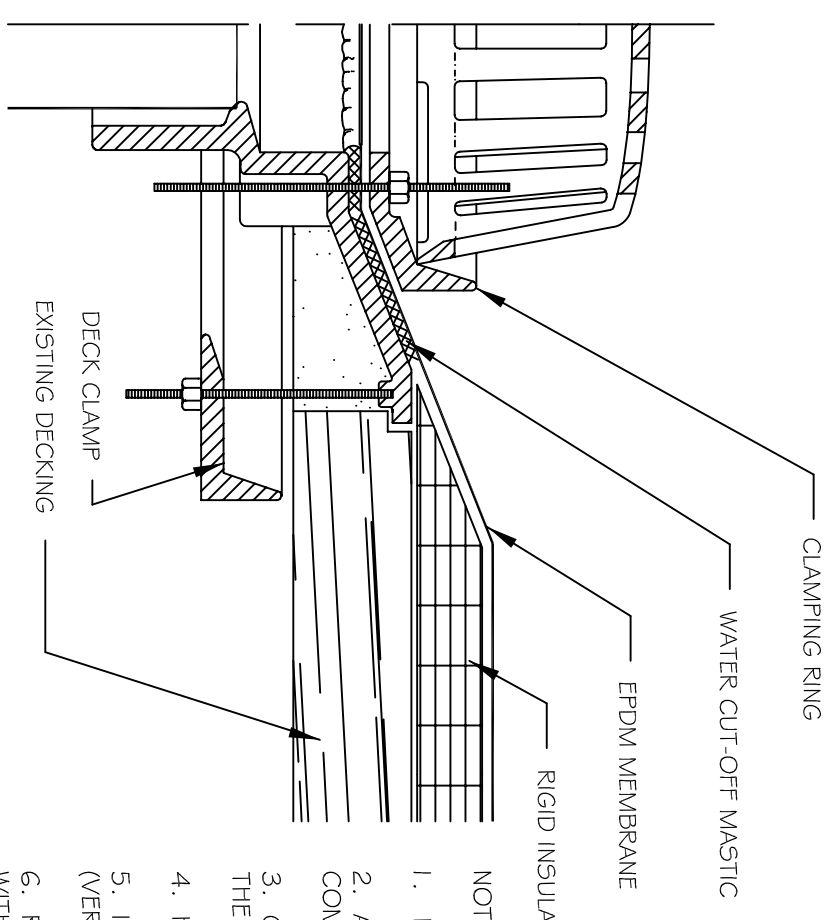
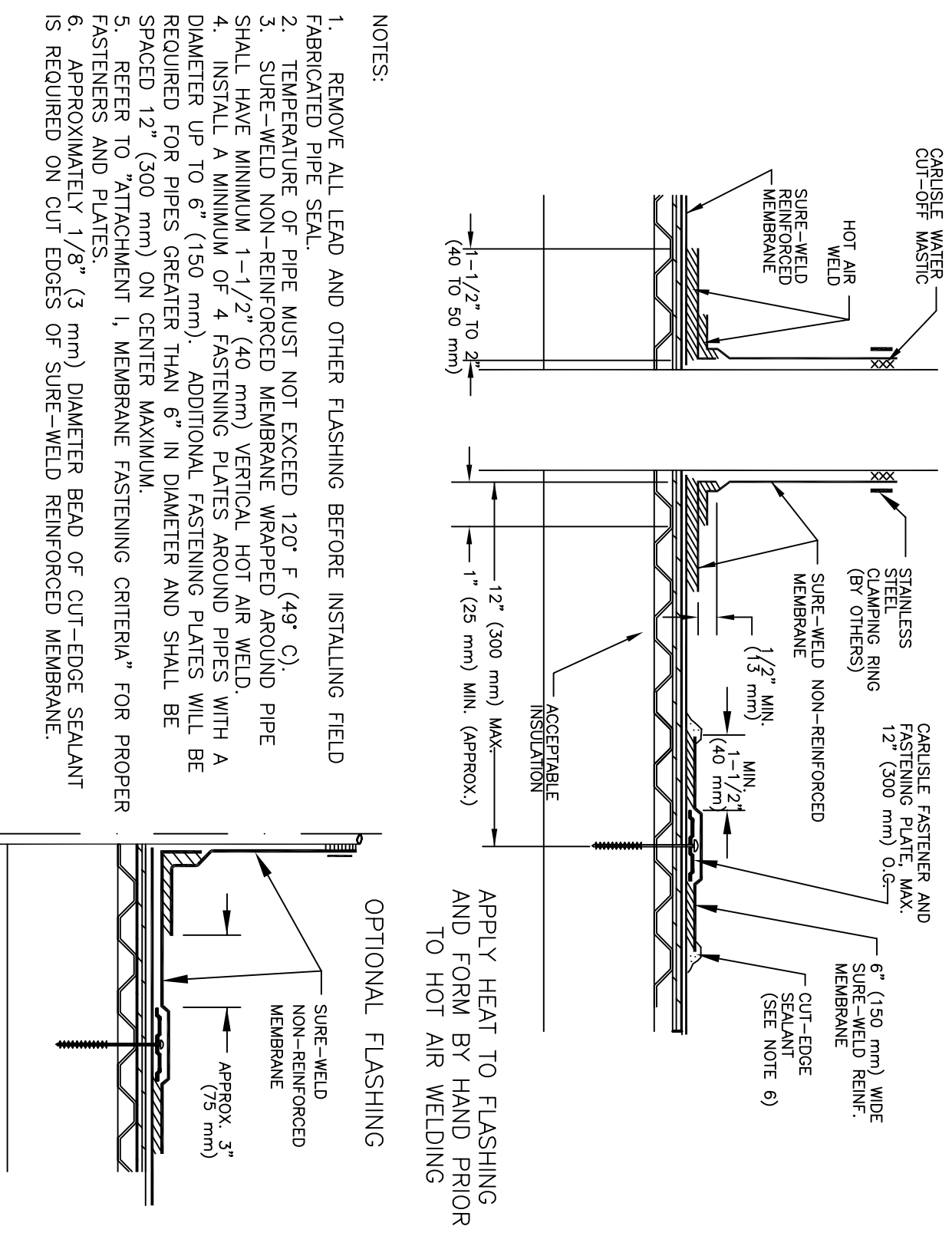


FIELD SPLICES MUST BE LOCATED AT LEAST 6 INCHES OUTSIDE THE DRAIN SUMP

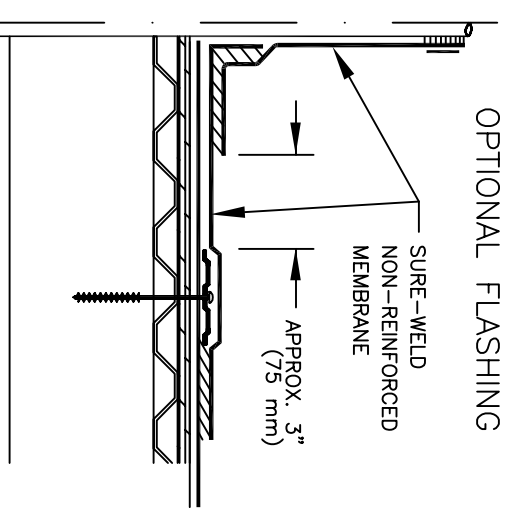


- NOTES:
1. REMOVE ALL LEAD AND OTHER FLASHING.
  2. ALL BOLTS OR CLAMPS MUST BE IN PLACE TO PROVIDE CONSTANT COMPRESSION ON WATER CUT-OFF MASTIC.
  3. CUT THE MEMBRANE SO IT EXTENDS A MINIMUM OF 1/2" (13 mm) FROM THE ATTACHMENT POINTS OF THE DRAIN CLAMPING RING.
  4. HOLE IN MEMBRANE MUST EXCEED SIZE OF DRAIN PIPE.
  5. INSULATION TAPER SHALL NOT BE STEEPER THAN 6" (150 mm) (VERTICAL) IN 1'2" (300 mm) (HORIZONTAL).
  6. ROOF DRAIN SIZE AND NUMBER OF DRAINS SHALL BE IN ACCORDANCE WITH LOCAL CODES.

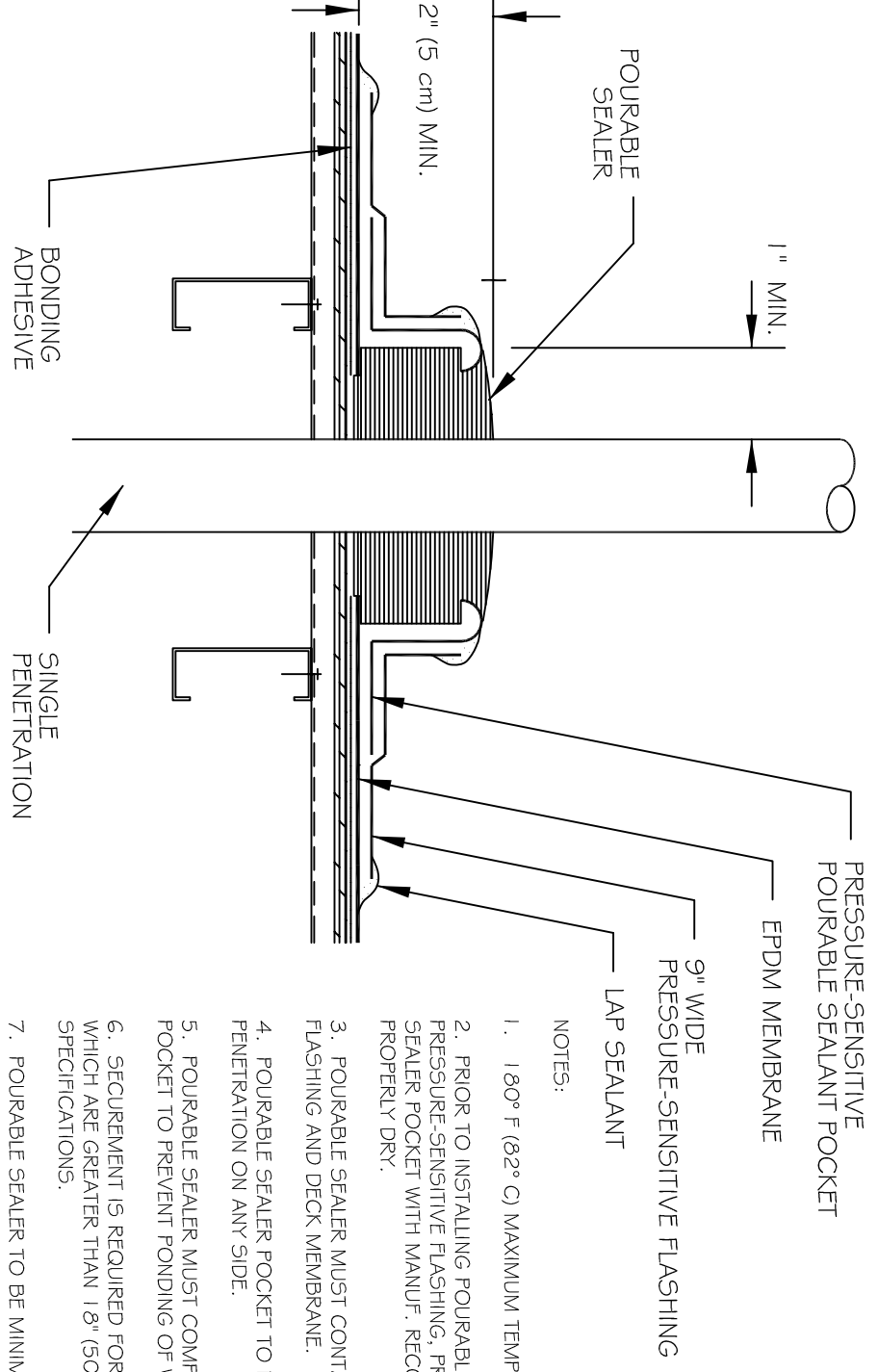
**C2** DRAIN DETAIL  
SCALE: NO SCALE



- NOTES:
1. REMOVE ALL LEAD AND OTHER FLASHING BEFORE INSTALLING FIELD FABRICATED PIPE SEAL. PIPE MUST NOT EXCEED 100° F (40° C).
  2. THE MEMBRANE ON REINFORCED MEMBRANE WRAPPED AROUND PIPE SHALL HAVE MINIMUM 1-1/2" (40 mm) VERTICAL HOT AIR WELD.
  3. INSTALL A MINIMUM OF 4 FASTENING PLATES AROUND PIPES WITH A DIAMETER UP TO 6" (150 mm). ADDITIONAL FASTENING PLATES WILL BE REQUIRED FOR PIPES GREATER THAN 6" IN DIAMETER AND SHALL BE SPACED 12" (300 mm) ON CENTER MAXIMUM.
  4. REFER TO ATTACHMENT 1, MEMBRANE FASTENING CRITERIA FOR PROPER FASTENING TO ACHIEVE APPROXIMATELY 1/8" (3 mm) DIAMETER BEAD OF CUT-EDGE SEALANT IS REQUIRED ON CUT EDGES OF SURE-WELD REINFORCED MEMBRANE.

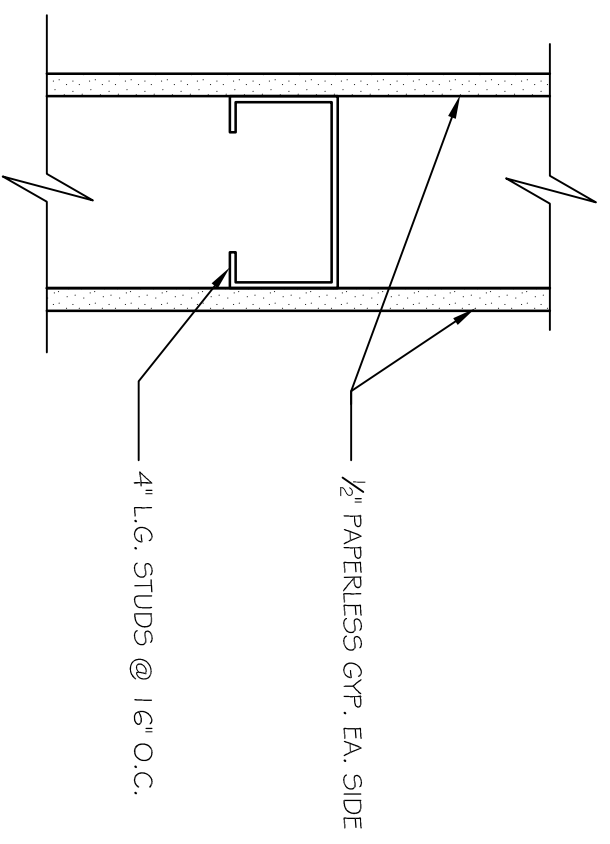


**B3** FIELD FABRICATED FLASHING - OPT. #1  
SCALE: NO SCALE

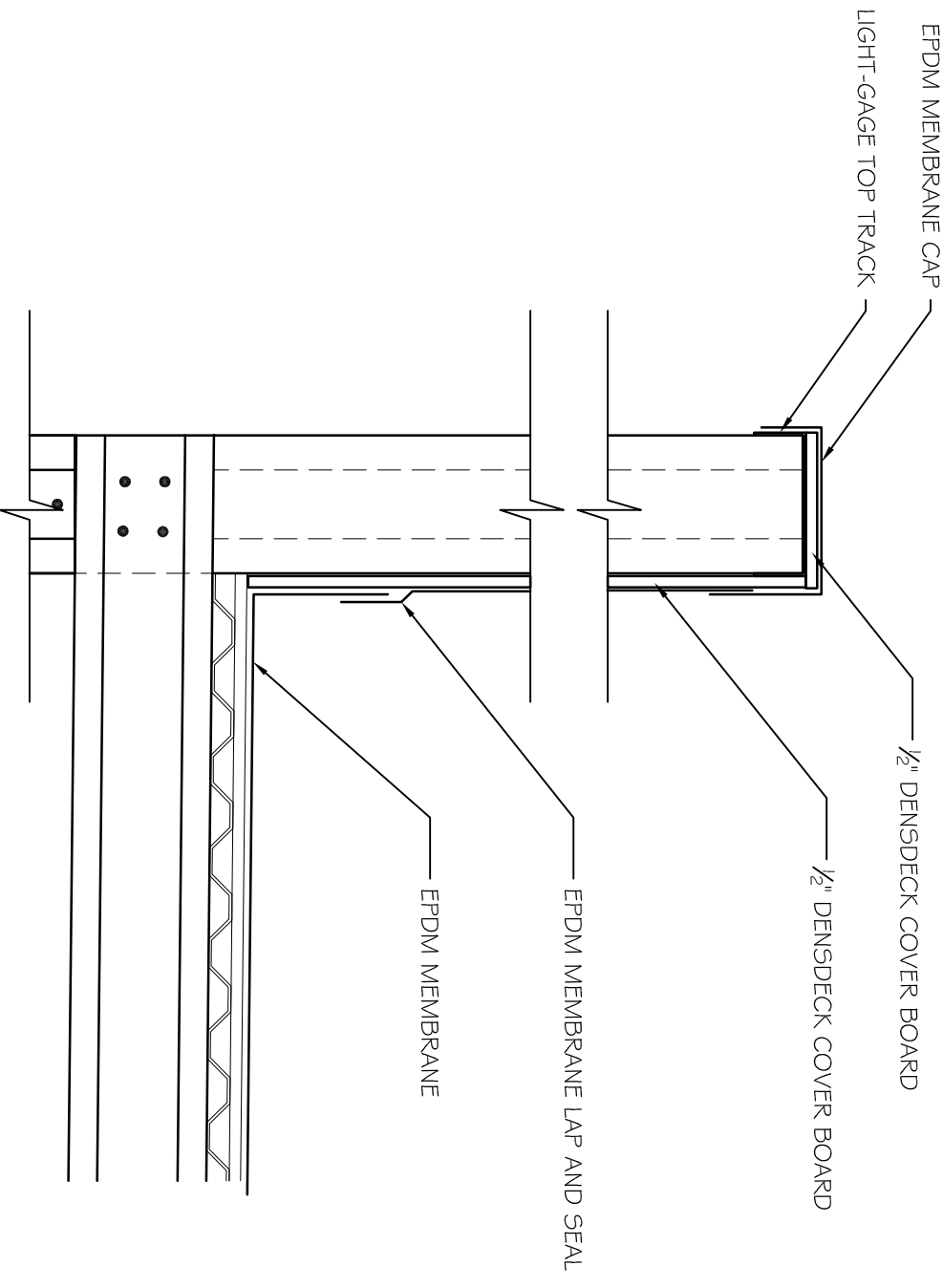


- NOTES:
1. 180° F (82° C) MAXIMUM TEMPERATURE.
  2. PRIOR TO INSTALLING POURABLE SEALER POUCH AND PRESSURE SENSITIVE FLASHING, PRIME MEMBRANE AND POURABLE PROTECTIVE COAT WITH MASTIC. RECOMMENDED PRIMER AND ALLOW TO CURE FOR 24 HOURS.
  3. POURABLE SEALER MUST COMPLETELY FIL POURABLE SEALER POUCH AND DECK MEMBRANE.
  4. POURABLE SEALER POUCH TO BE 1" (25 mm) MINIMUM FROM PENETRATION ON ANY SIDE.
  5. POURABLE SEALER MUST COMPLETELY FIL POURABLE SEALER POUCH TO PREVENT FLOODING OF WATER.
  6. SECUREMENT IS REQUIRED FOR POURABLE SEALER POUCHES WHICH ARE GREATER THAN 1/8" (3 mm) IN DIAMETER. REFER TO SPECIFICATIONS.
  7. POURABLE SEALER TO BE MINIMUM 2" (50 mm) DEEP.
  8. POURABLE SEALER MUST CONTACT THE BASE SURFACE OF THE PENETRATION. ALL DEBRIS (PAINT, RUST, LEAD, OTHER FLASHINGS, ETC.) MUST BE REMOVED FROM THE PENETRATION.
  9. FOR ADDITIONAL INFORMATION, REFER TO SPECIFICATIONS MANUFACTURER'S RECOMMENDED INSTALLATION INSTRUCTIONS.

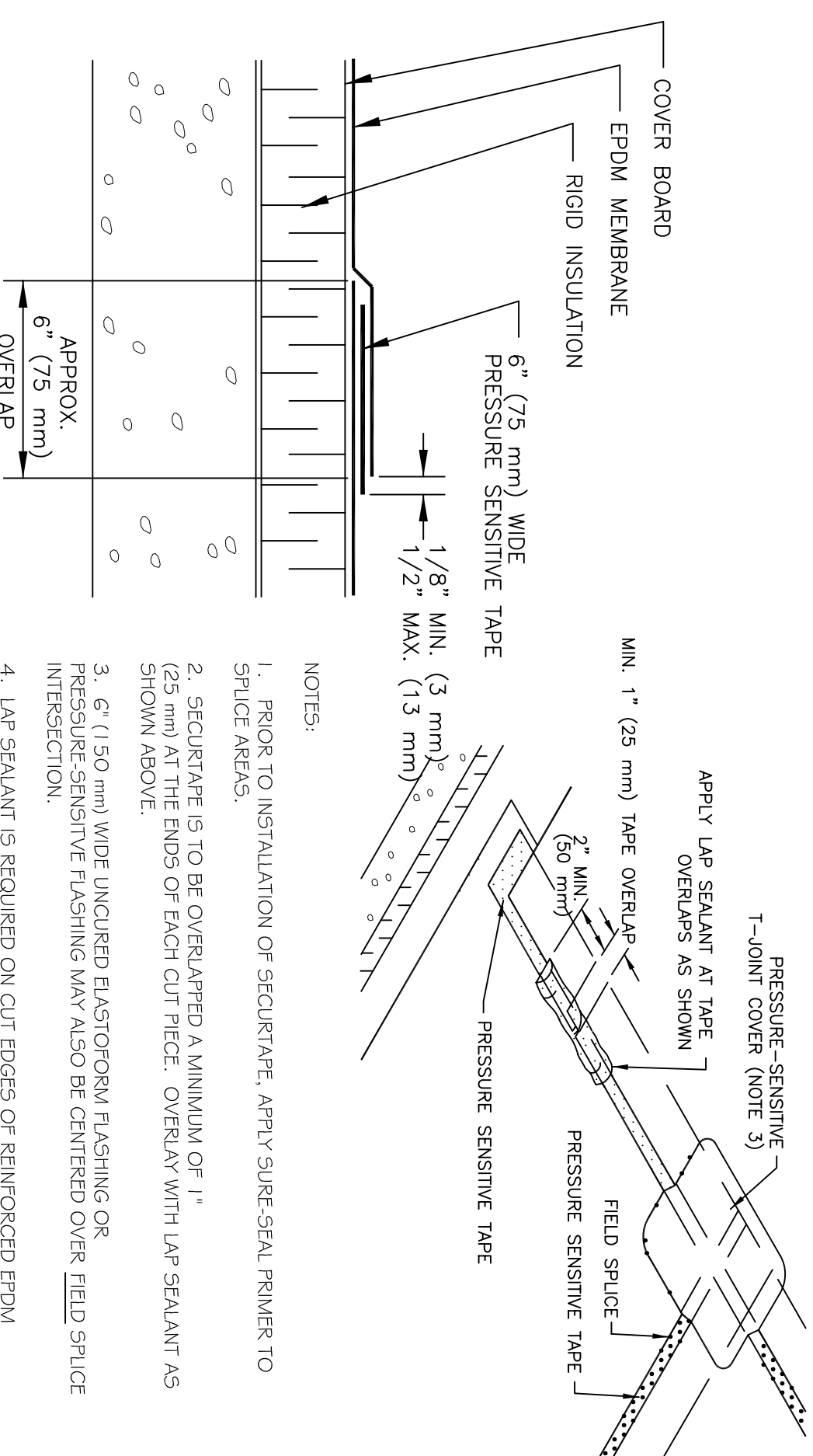
**B2** PENETRATION FLASHING - SEALED POCKET - OPT. #2  
SCALE: NO SCALE



**A3** PARTITION WALL DETAIL  
SCALE: NO SCALE

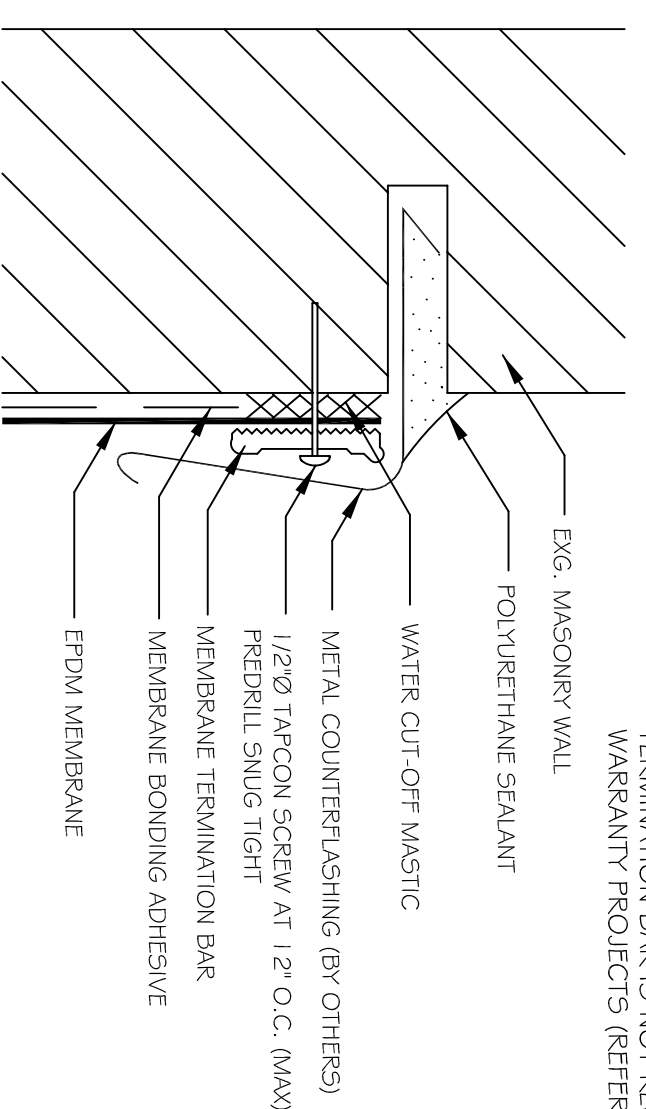


**A2** PARAPET CAP FLASHING  
SCALE: NO SCALE

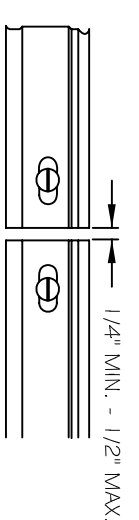


- NOTES:
1. PRIOR TO INSTALLATION OF SECURITAPE, APPLY SURE SEAL PRIMER TO SPLICE AREAS.
  2. SECURITAPE IS TO BE OVERLAPPED A MINIMUM OF 1" (25 mm) AT THE ENDS OF EACH CUT PIECE. OVERLAP WITH LAP SEALANT AS SHOWN ABOVE.
  3. CUT (150 mm) WIDE UNCURED ELASTOMER FLASHING OR PRESSURE SENSITIVE FLASHING MAY ALSO BE GRANTED OVER FIELD SPLICE INTERSECTION.
  4. LAP SEALANT IS REQUIRED ON CUT EDGES OF REINFORCED EPDM MEMBRANE.

**B1** MEMBRANE SPLICE  
SCALE: NO SCALE

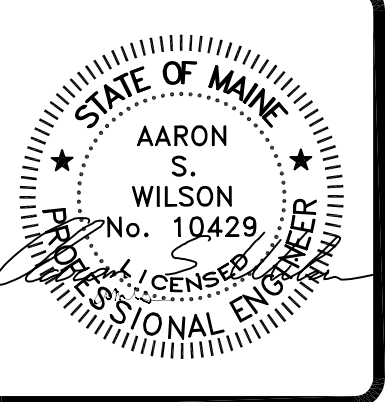


FOR USE ON 15-YEAR GOLDEN SEAL WARRANTY PRODUCTS. THIS PRODUCT IS NOT A GUARANTEE OF PERFORMANCE. SEE WARRANTY PRODUCTS (REFER TO CADDISLE DETAIL U-9-C).



- NOTES:
1. APPLY ON HARD SMOOTH SURFACE ONLY. NOT FOR USE ON WOOD.
  2. WATER CUT-OFF MASTIC MUST BE HELD UNDER CONSTANT COMPRESSION.
  3. DO NOT WRAP COMPRESSION TERMINATION AROUND CORNERS.

**A1** COUNTER FLASHING DETAIL  
SCALE: NO SCALE



**ASSOCIATED DESIGN PARTNERS INC.**  
80 Leighton Road Falmouth, Maine 04105  
Office: (207) 878-1751  
Fax: (207) 878-1788  
E-Mail: adp@adpengineering.com

THIS DRAWING, DESIGN AND SPECIFICATIONS ARE THE PROPERTY OF ASSOCIATED DESIGN PARTNERS INC. NO PART OF THIS DOCUMENT WITHOUT CONSENT IS TO BE REPRODUCED.

PROJECT: **BARBER FOODS RENOVATIONS**  
54-70 SAINT JOHN STREET, PORTLAND ME  
SHEET TITLE: **MEMBRANE DETAILS**  
ISSUED FOR PERMITTING

NO.	BY	REVISIONS DESCRIPTION	DATE
1	ASW	AS NOTED	
2	ASB/RSC	DESIGN BY ASW	
3	ASB/RSC	BRANN BY ASB/RSC	
4		PROJECT NUMBER: 08253-4501.DWG	

DATE: 10-9-08  
SCALE: AS NOTED  
DESIGN BY: ASW  
BRANN BY: ASB/RSC  
FILE #: 08253-4501.DWG  
PROJECT NUMBER:  
SHEET NO: **A501**