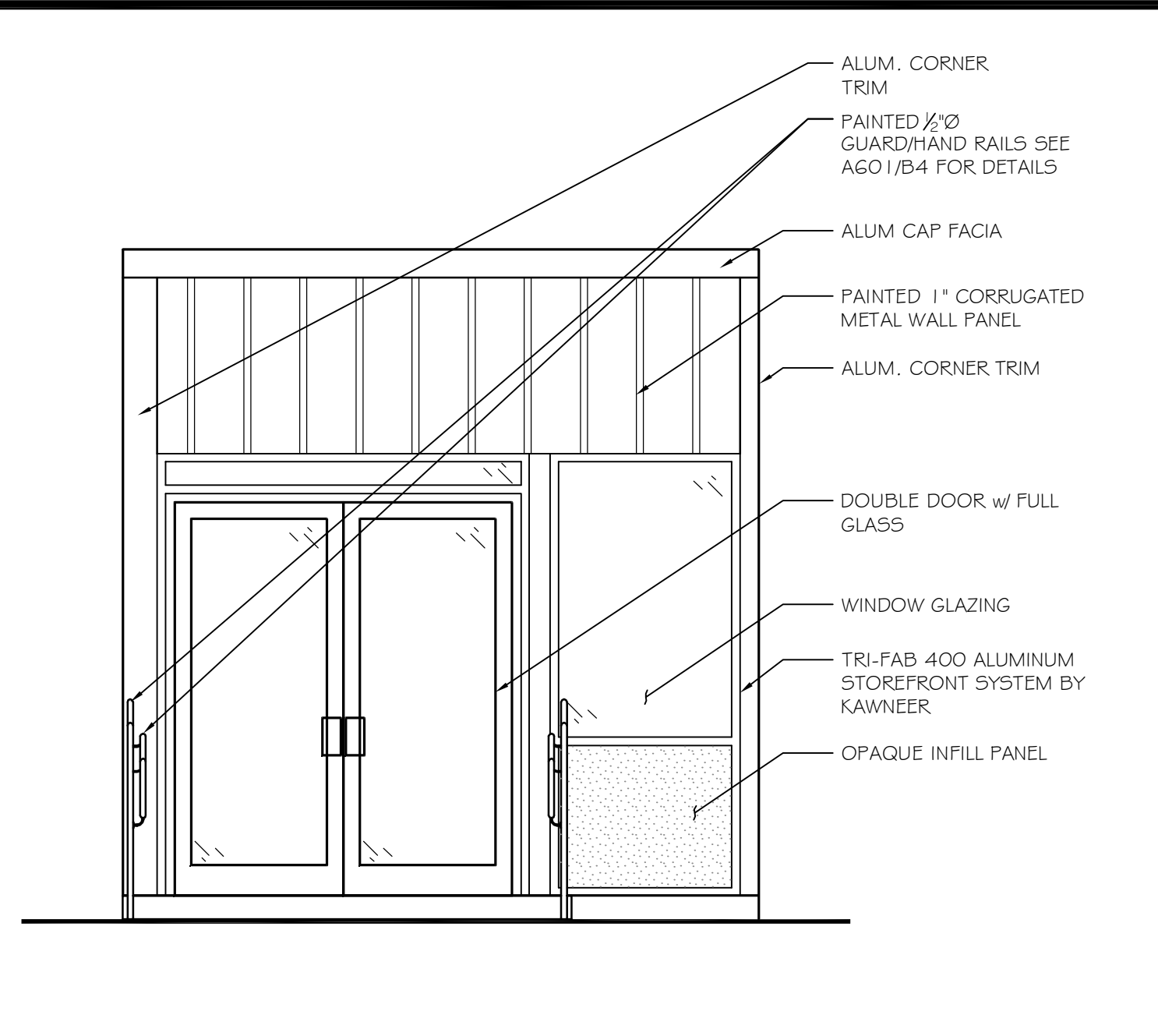
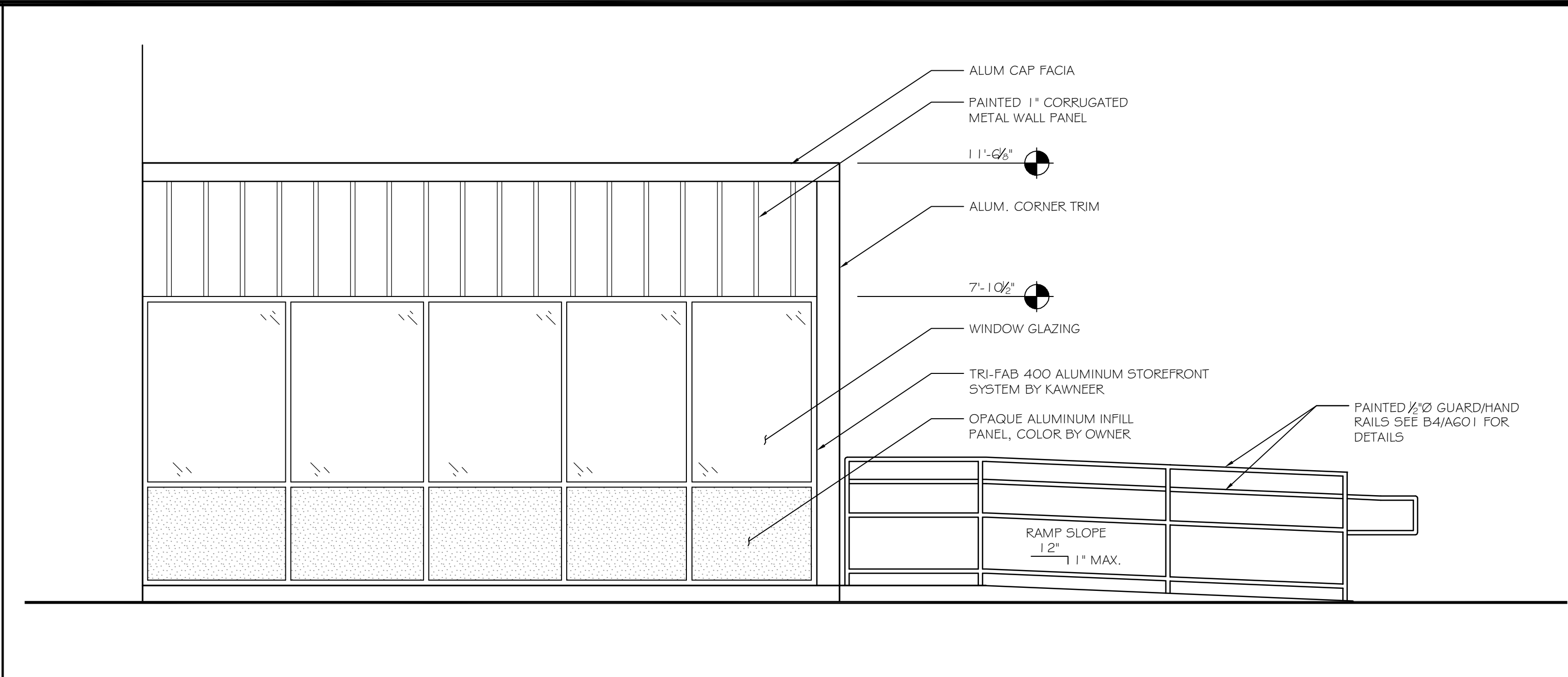




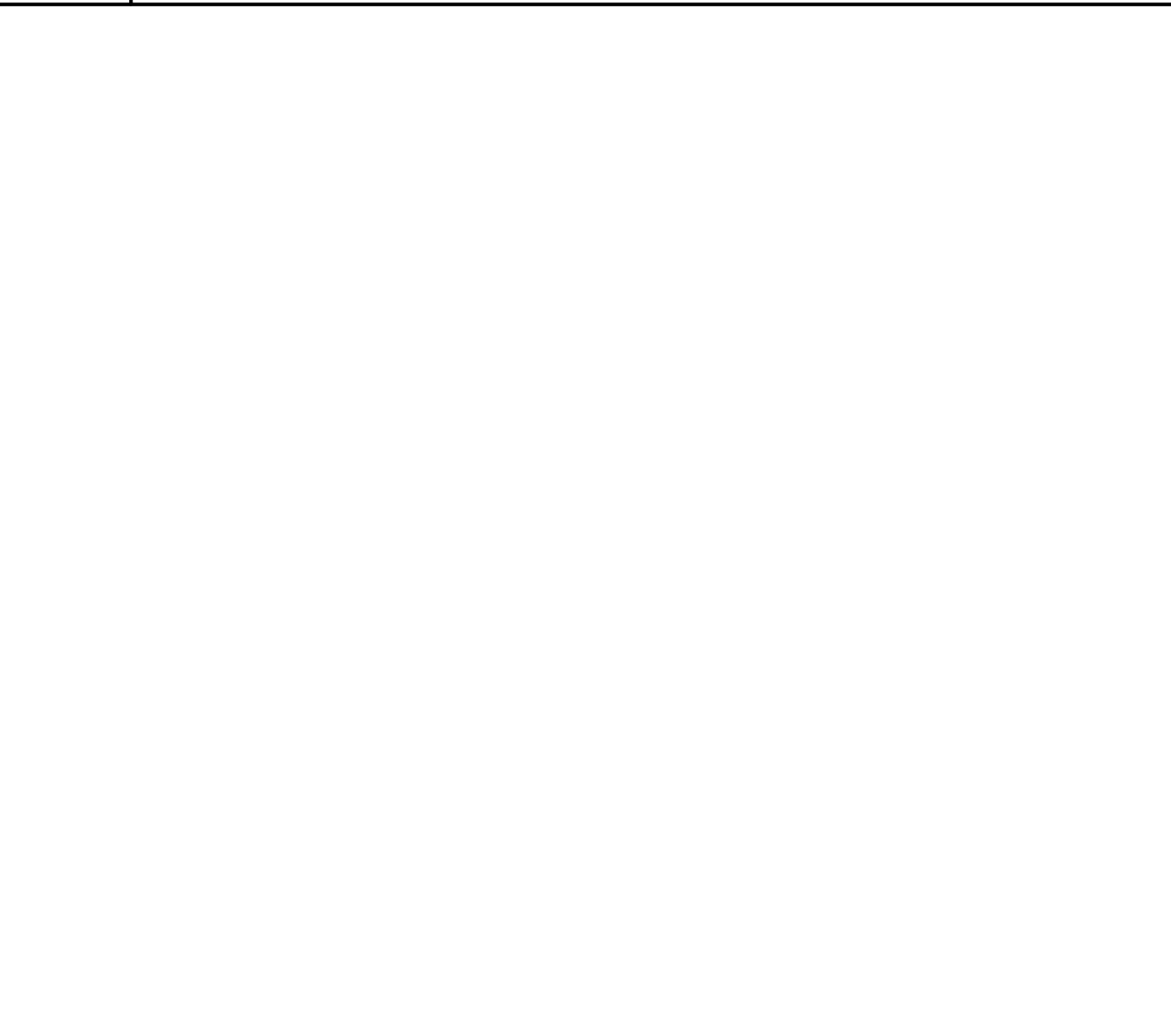
C4



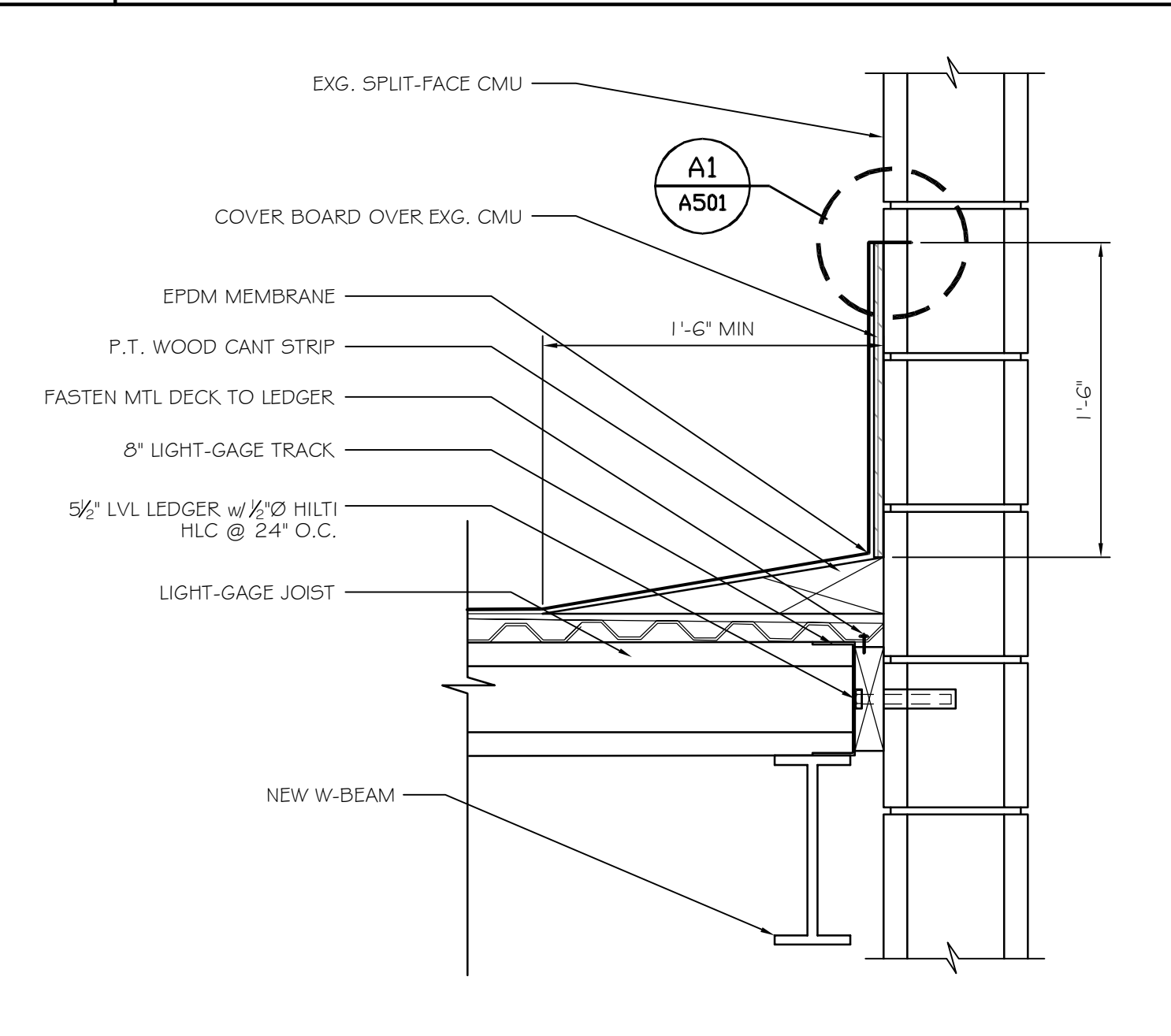
C3 RIGHT ELEVATION
SCALE: 3/8" = 1'-0"



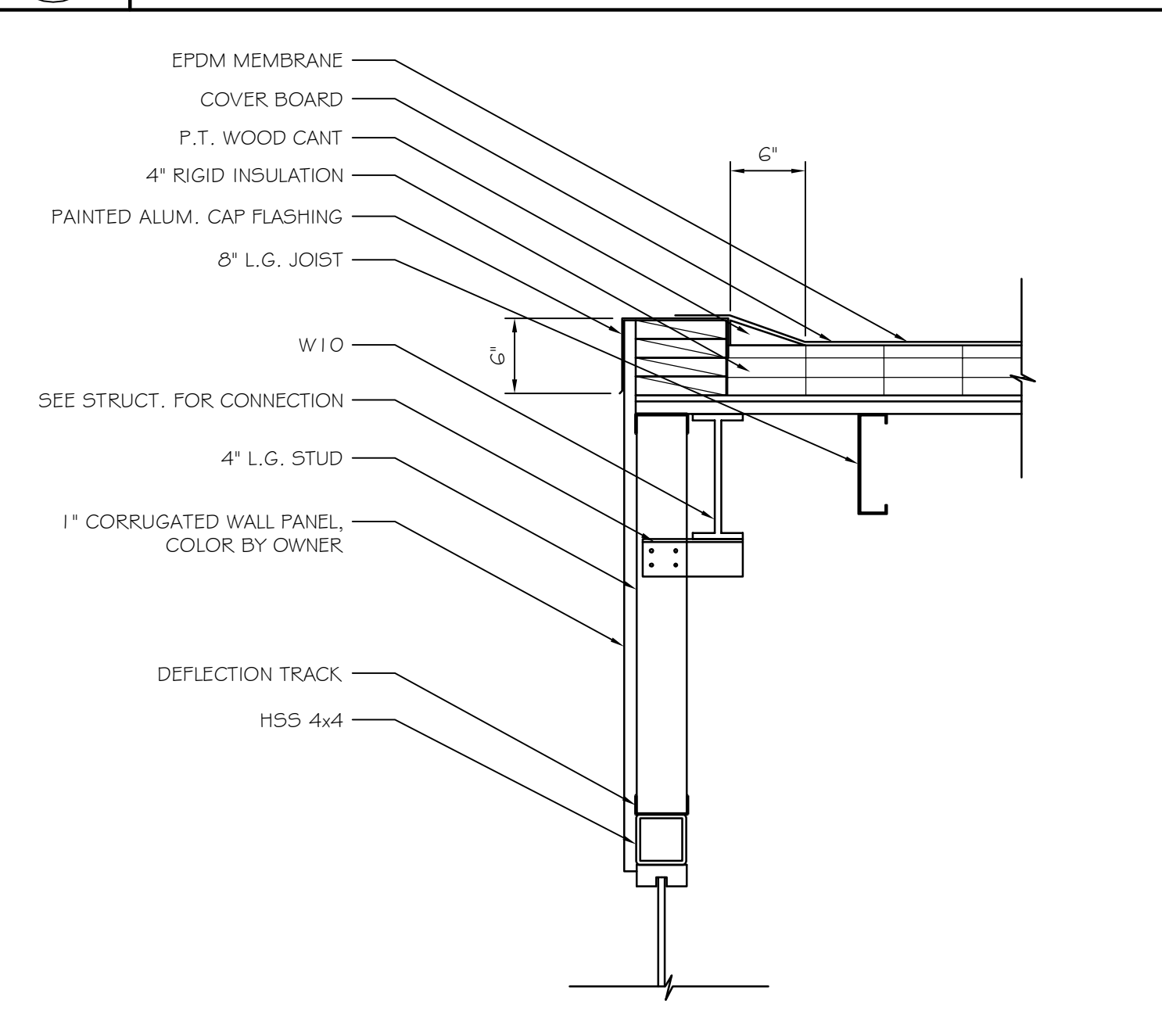
C2 FRONT ELEVATION
SCALE: 3/8" = 1'-0"



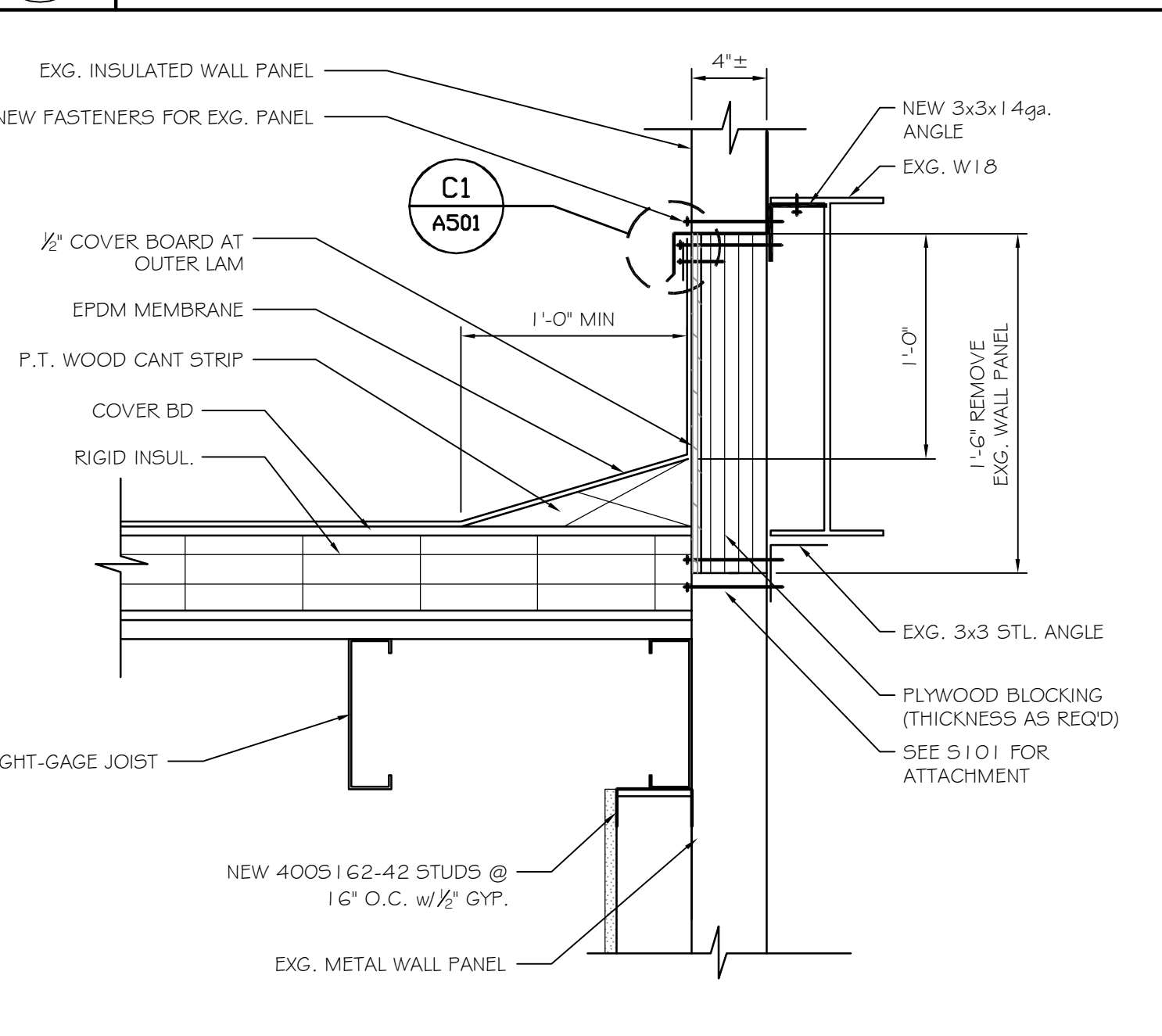
B4



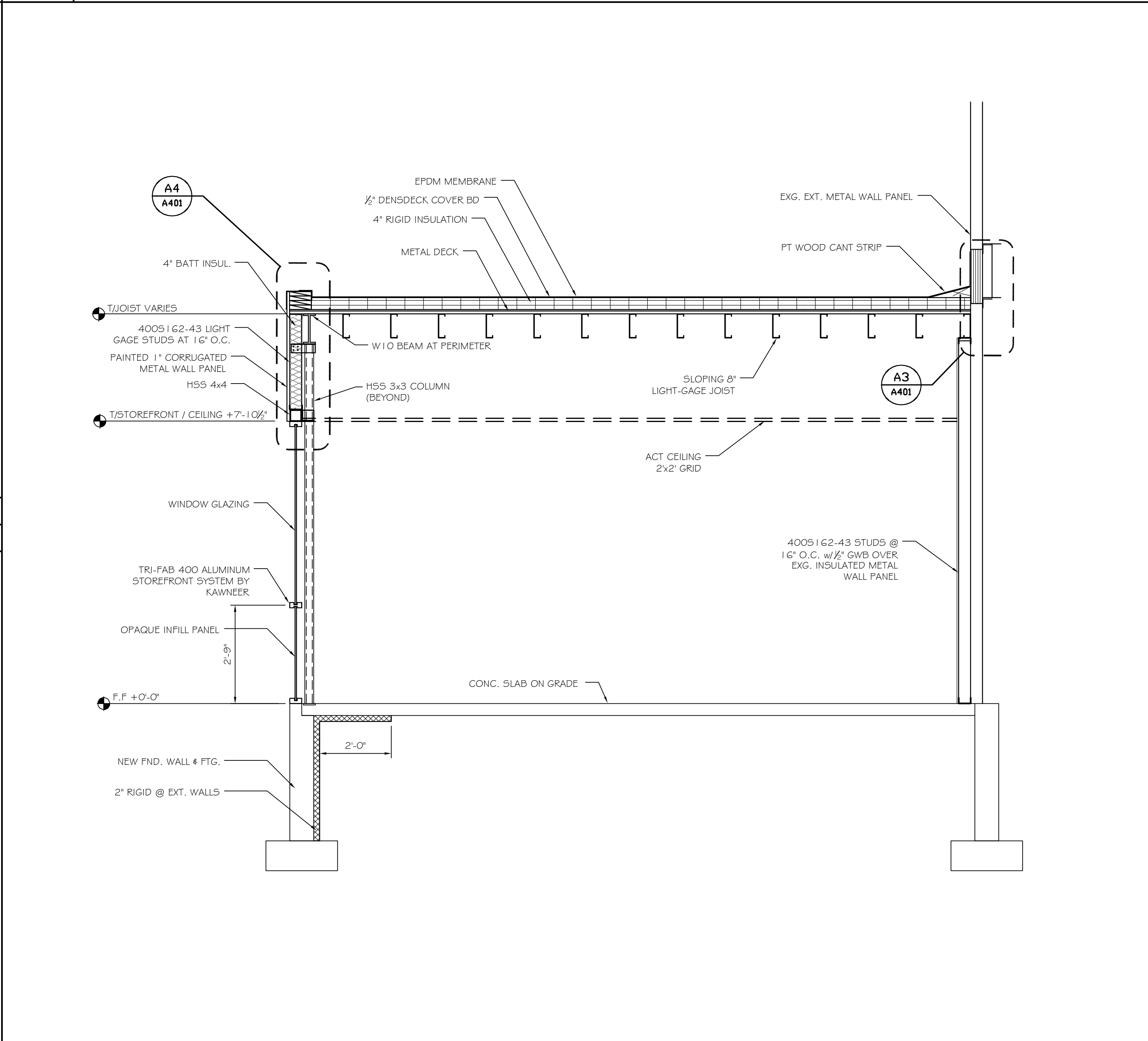
B3 NEW ROOF TO EXISTING CMU WALL DETAIL
SCALE: 1/2" = 1'-0"



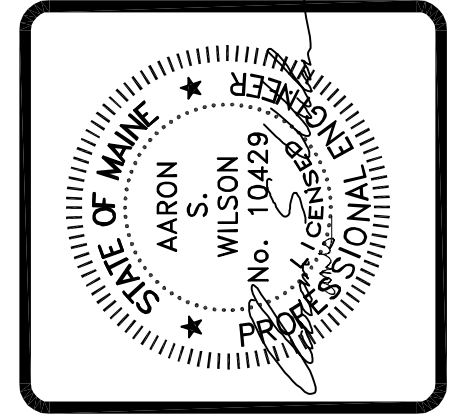
A4 EAVE DETAIL
SCALE: 3/4" = 1'-0"



A3 NEW ROOF TO EXISTING METAL WALL DETAIL
SCALE: 1/2" = 1'-0"



A2 SECTION THROUGH SECURITY VESTIBULE
SCALE: 1/2" = 1'-0"



ASSOCIATED DESIGN PARTNERS INC.
Office: (207) 878-1751
80 Leighton Road, Falmouth, Maine 04105
Fax: (207) 878-1788
E-Mail: adp@adpengineering.com

THIS DRAWING, DESIGN AND ELECTRONIC FILE ARE THE PROPERTY OF ASSOCIATED DESIGN PARTNERS, INC. THE REPRODUCTION, COPYING OR ANY OTHER USE OF THIS DOCUMENT WITHOUT WRITTEN CONSENT IS PROHIBITED.

BARBER FOODS RENOVATIONS
54-70 SAINT JOHN ST, PORTLAND ME
FOR: BARBER FOODS, INC.
PROJECT: BARBER FOODS RENOVATIONS
SHEET TITLE: BUILDING SECTIONS AND DETAILS ISSUED FOR PERMITTING

REVISIONS	DATE
No.	BY
1	ASW
2	ASW
3	ASW
4	ASW

DATE : 10-29-08
SCALE : AS NOTED
DESIGN BY: ASW
DRAWN BY: RC
PROJECT NUMBER:
08170
SHEET NO:
A401