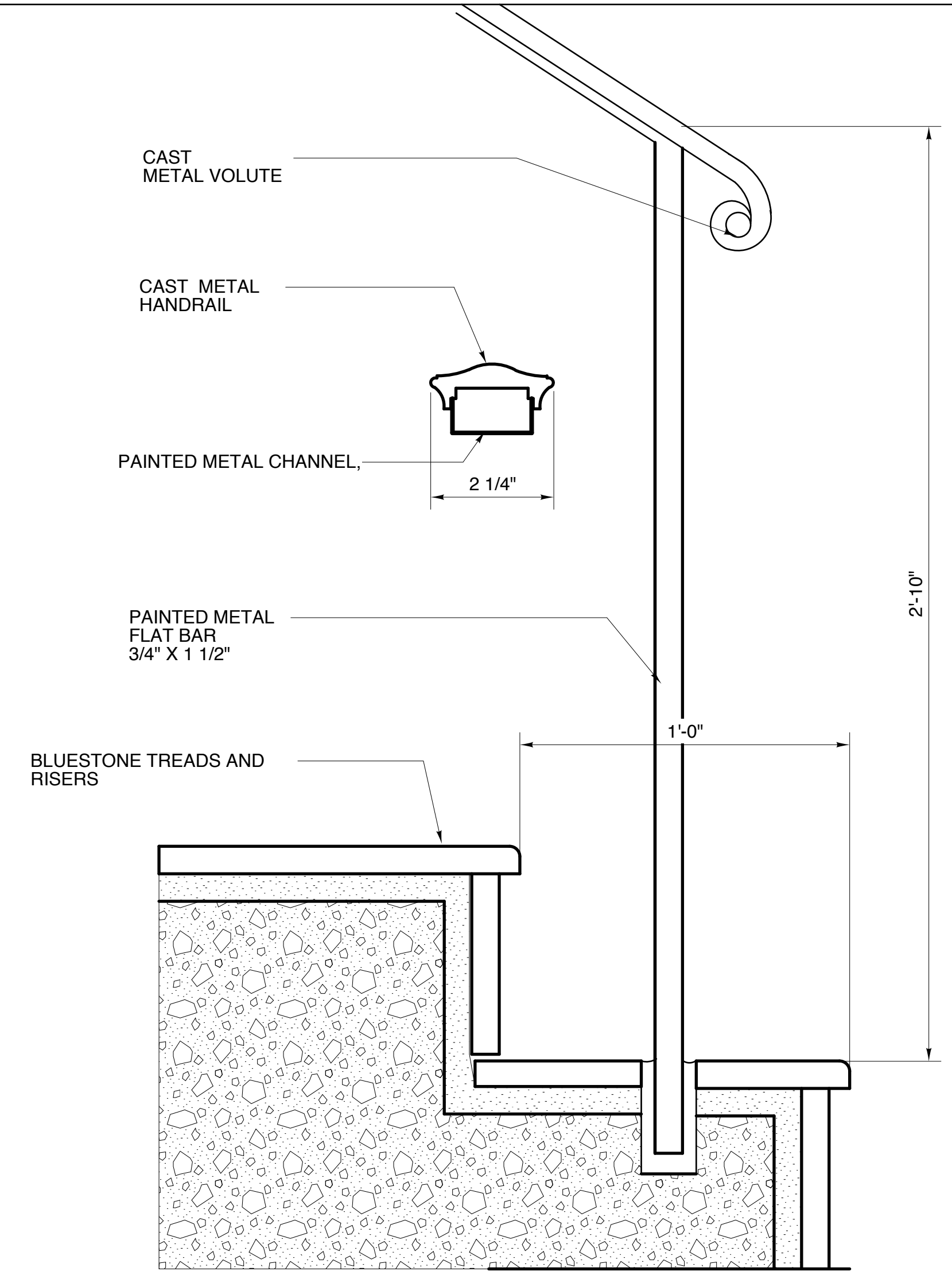
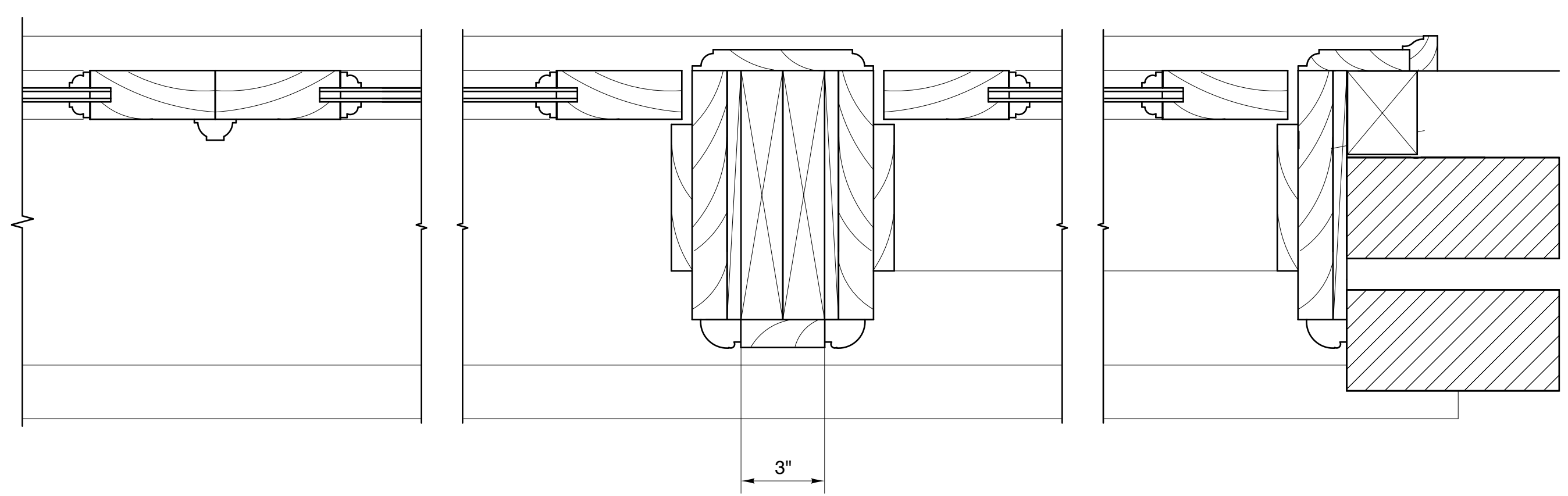


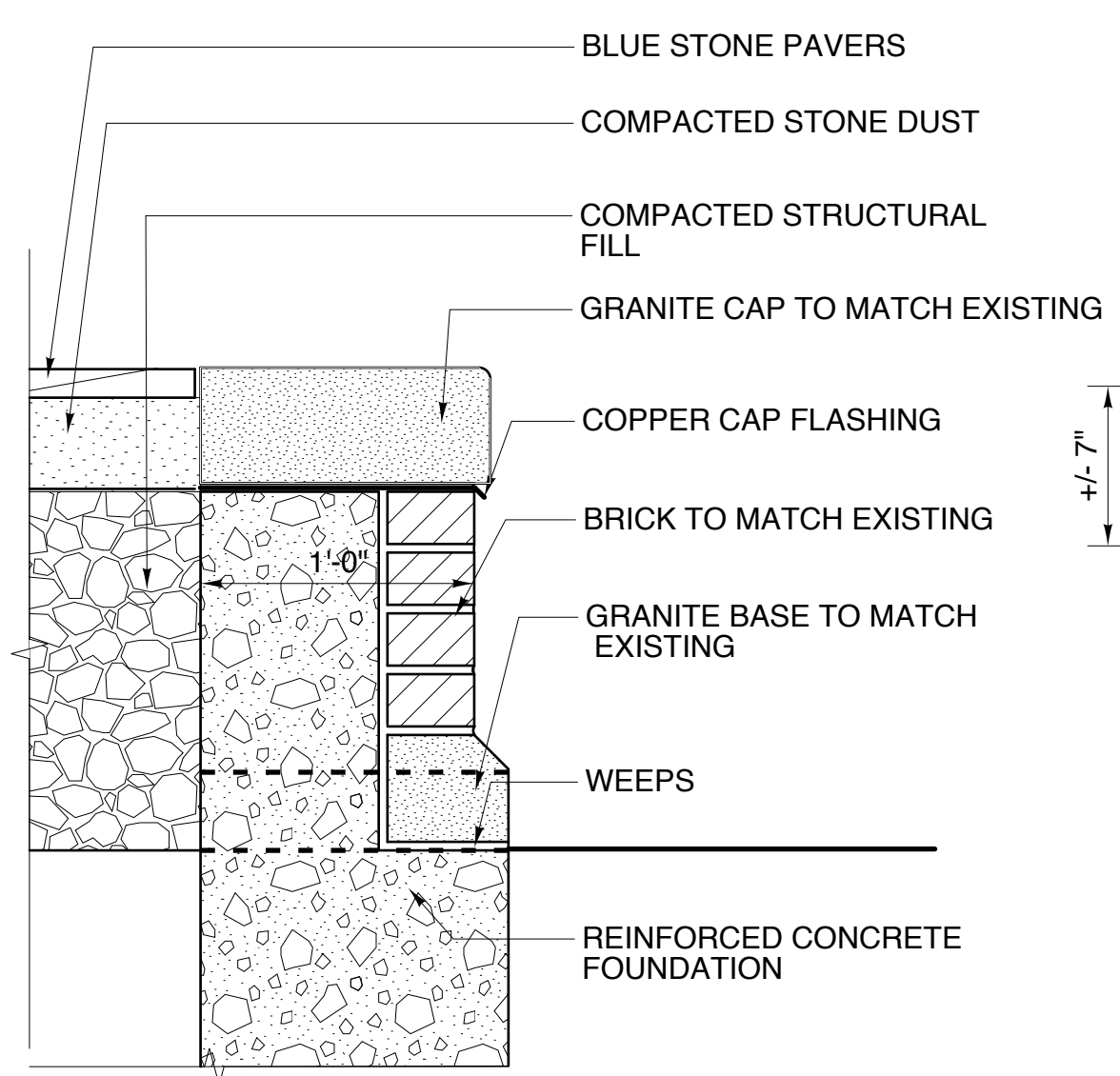
1 DOOR HEAD AND SILL DETAIL
A301 SCALE: 3" = 1' - 0"



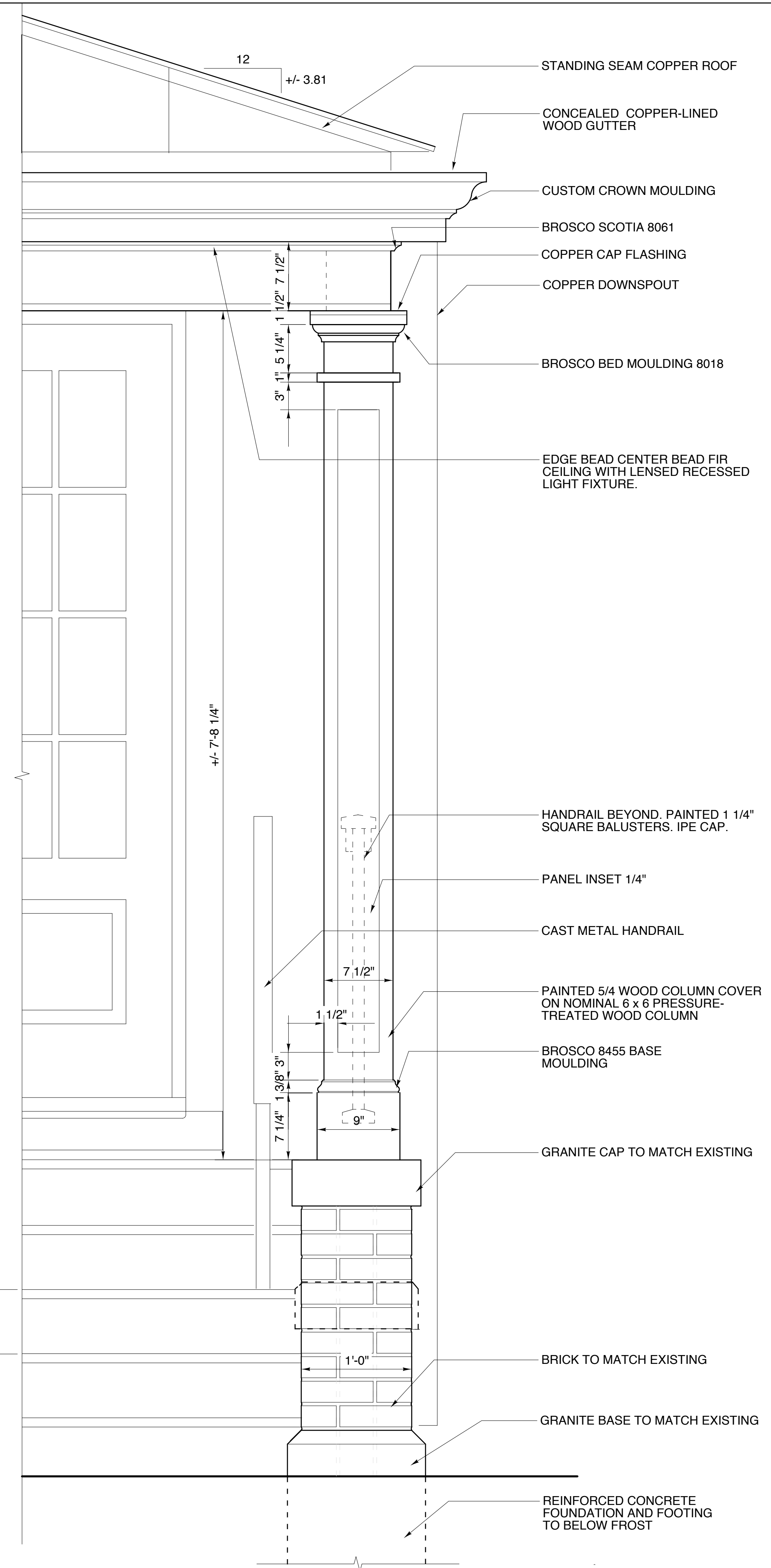
2 METAL HANDRAIL DETAILS
A301 SCALE: 3" = 1' - 0" & 6" = 1' - 0"



3 JAMB/JOINING MULLION
A301 SCALE: 3" = 1' - 0" & 6" = 1' - 0"



3 TERRACE EDGE
A301 SCALE: 1 1/2" = 1' - 0"

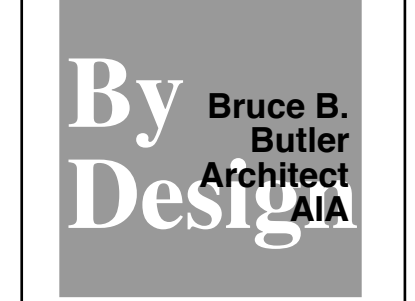


4 PORCH LANDING/COLUMN/ROOF EDGE
A301 SCALE: 1 1/2" = 1' - 0"

199 WESTERN PROMENADE
Portland, Maine

SCALE 1/4" = 1' - 0"
DRAWN BY: BBB
DATE: 3/15/13

Copyright 2013 c by By Design. All rights reserved. All drawings and written material appearing herein constitute original and unpublished work of the Architect and may not be duplicated, used, or disclosed without written consent of By Design.



PROPOSED DETAILS
A301c