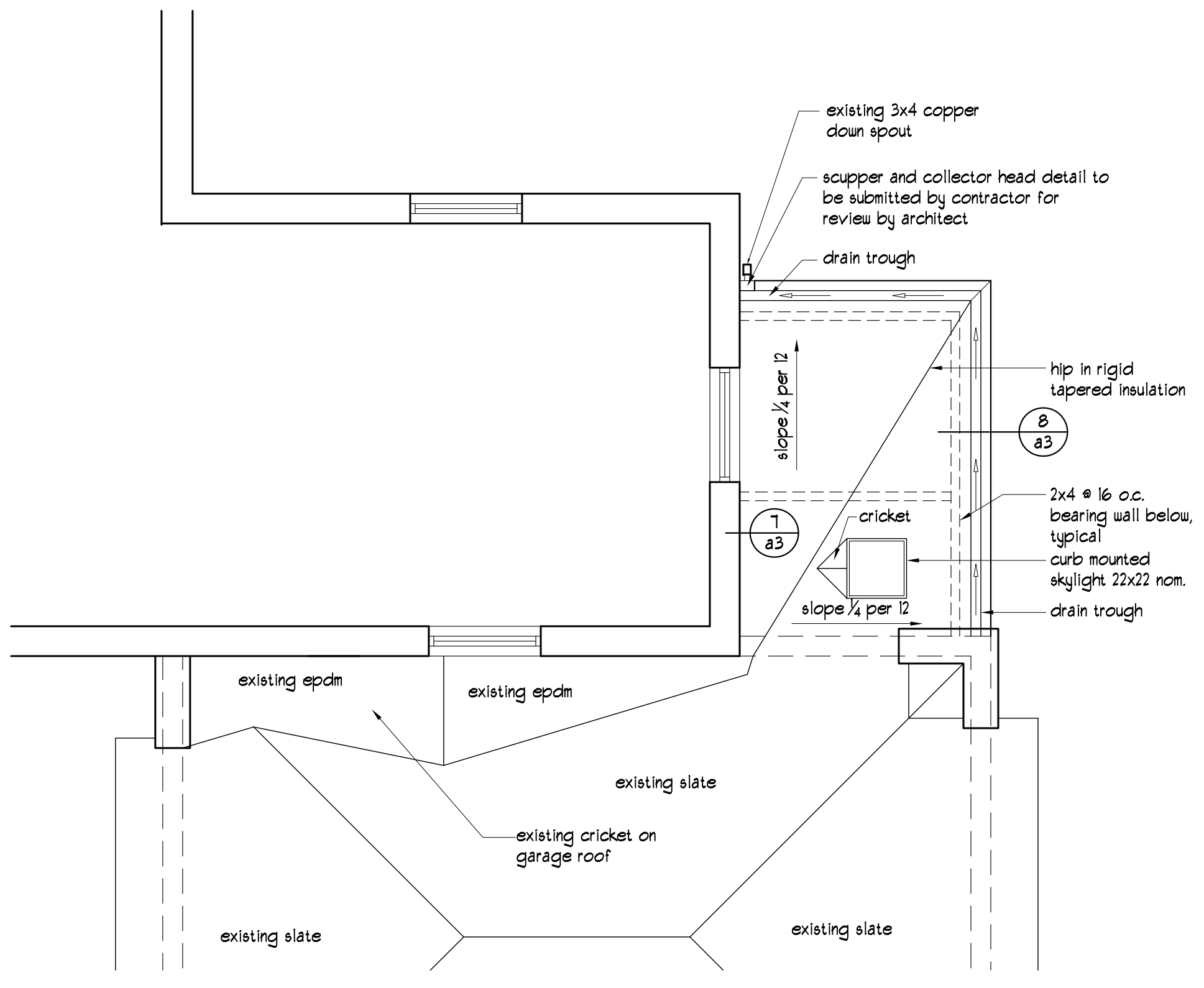


- List of Drawings  
 a1 Cover Info, demolition  
 Brick Entry Patio  
 a2 Porch plans and elevations  
 a3 Porch Cross Sections  
 a4 Details  
 s1 Framing and structural details

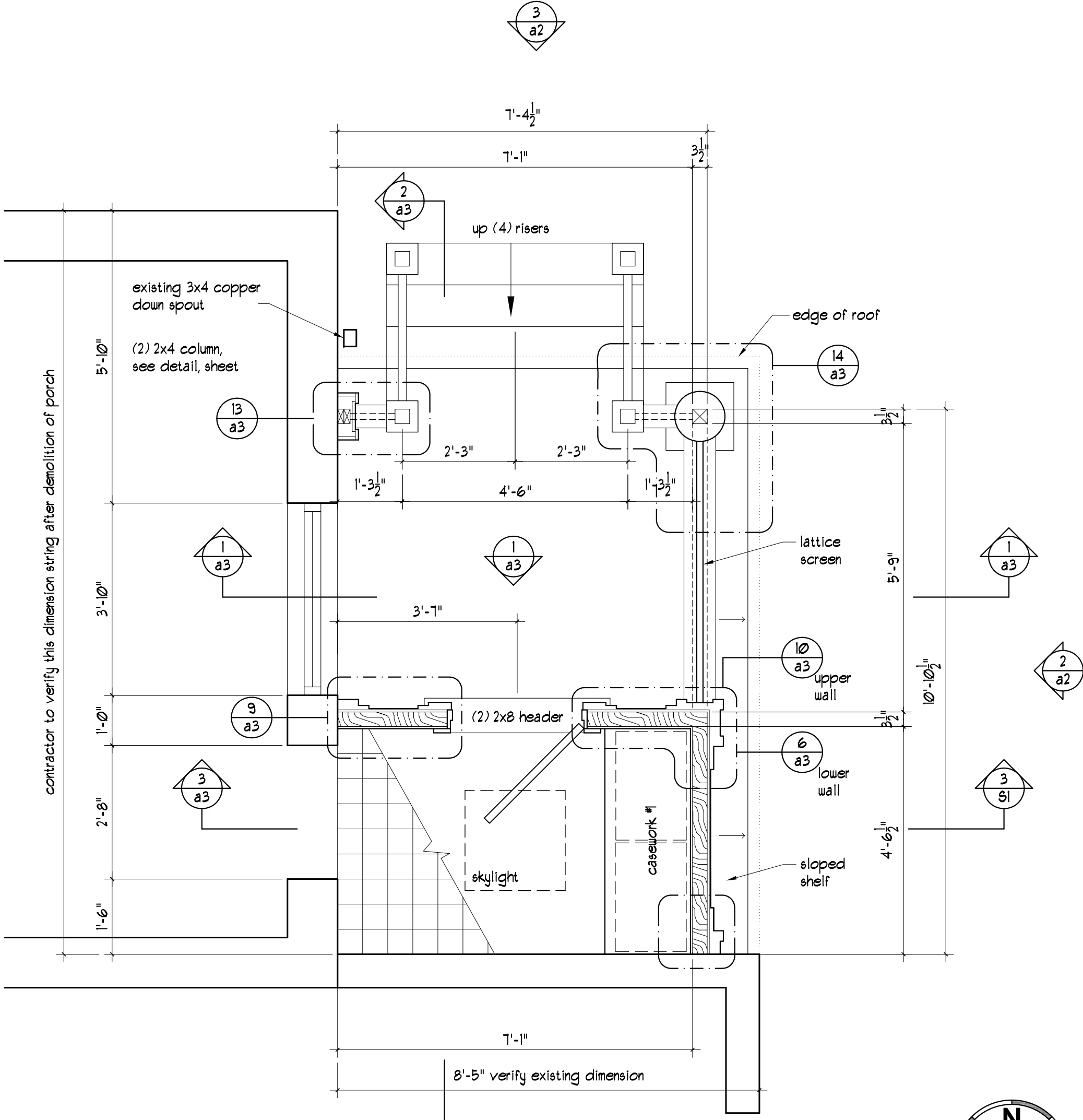
Date of these drawings:  
 August 20, 2009

**Kaplan & Johnson Residence**  
 98 Carroll Street  
 Portland, Maine

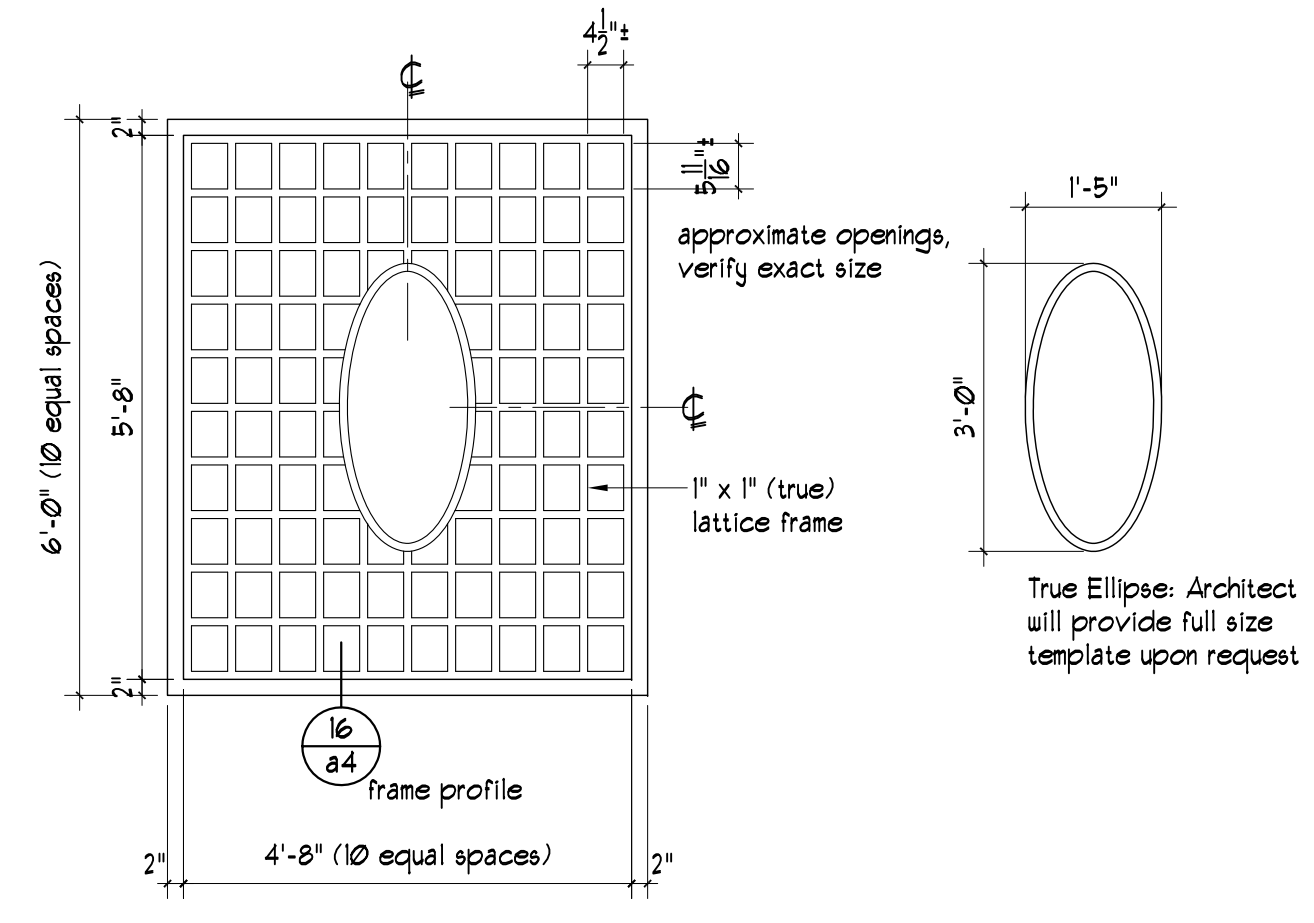
**demolition, brick patio,**  
 location, data



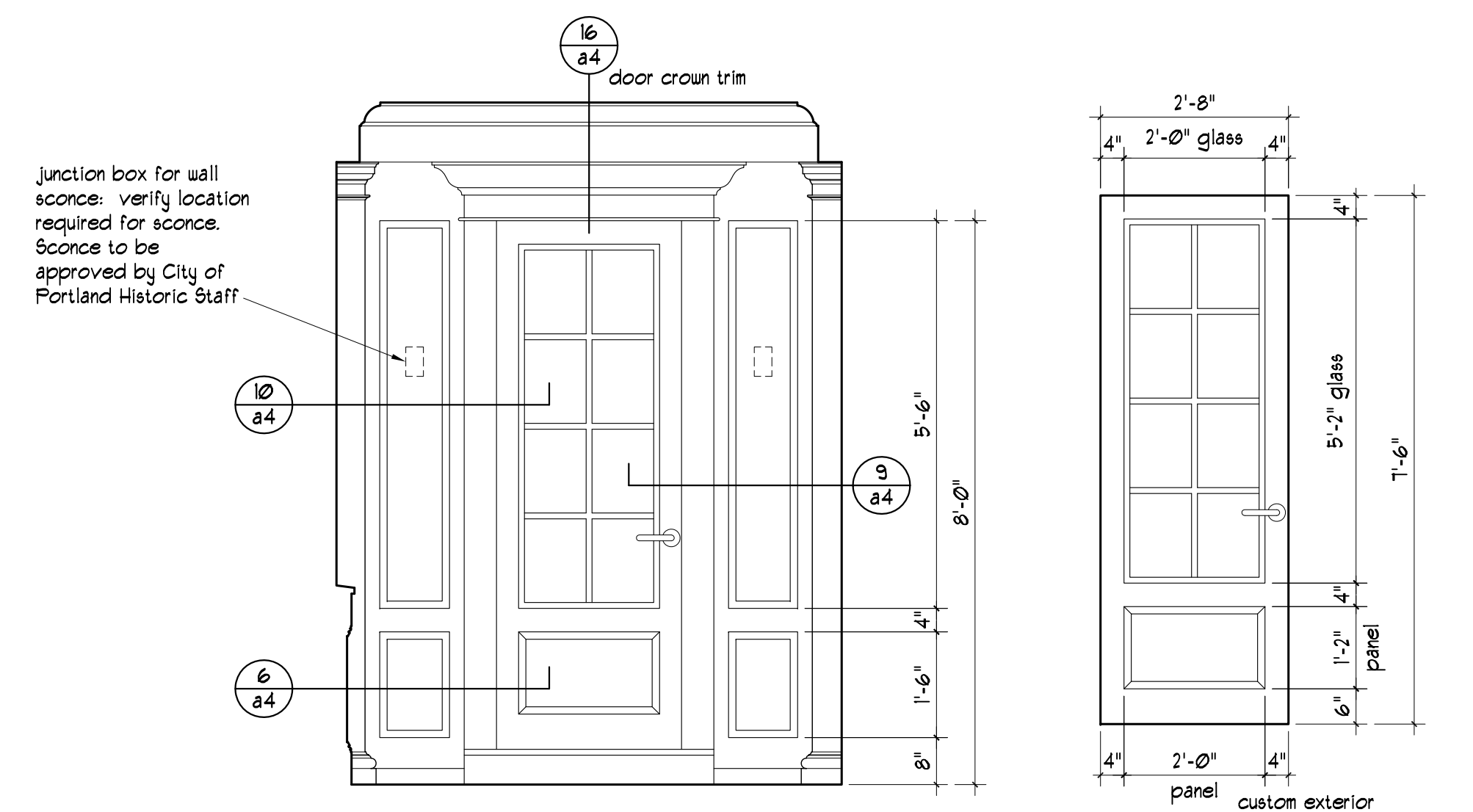
**5 roof plan**  
 1/4" = 1'-0"



**I floor plan**  
 1/2" = 1'-0"

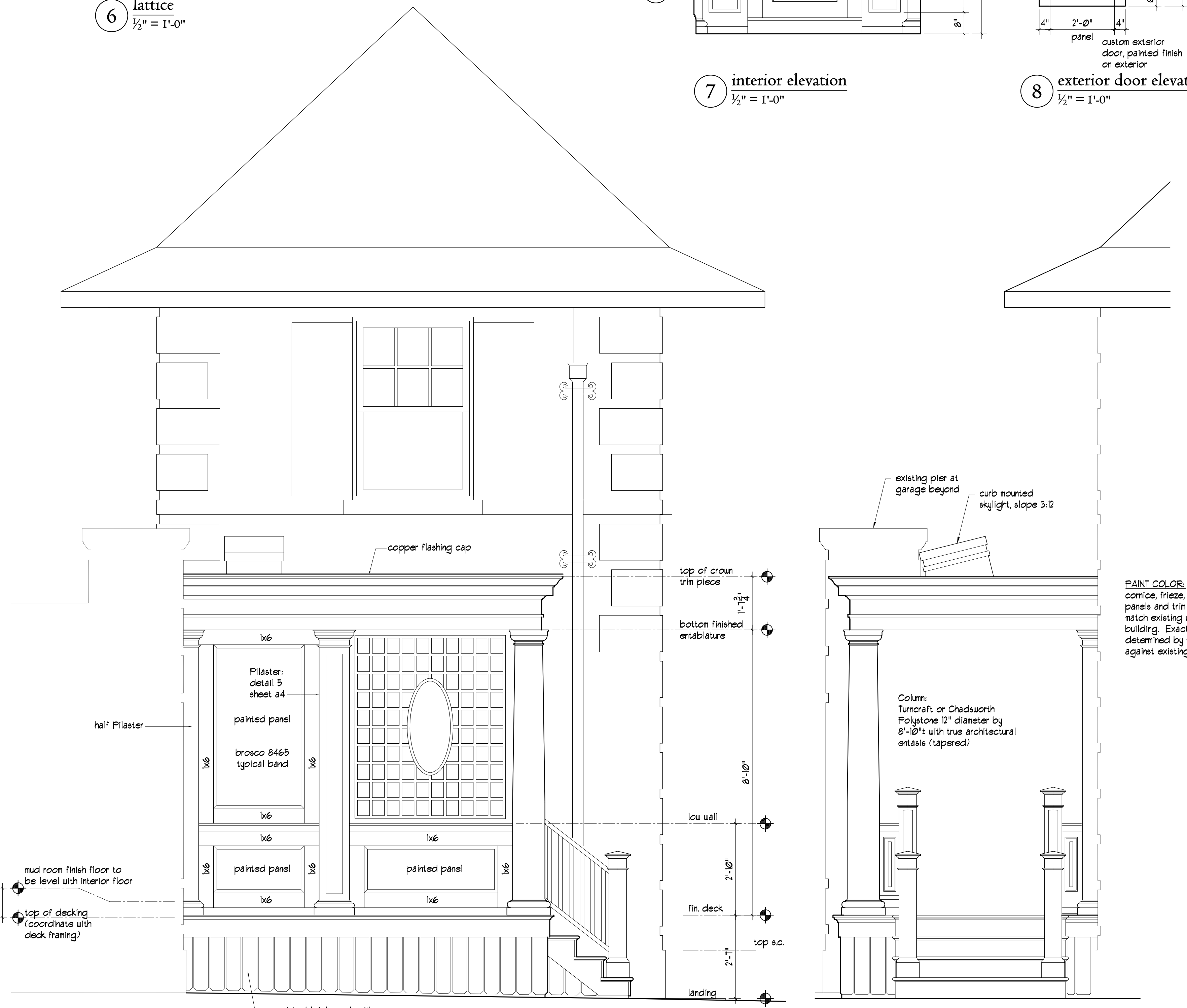


**6 lattice**  
 1/2" = 1'-0"



**7 interior elevation**  
 1/2" = 1'-0"

**8 exterior door elevation**  
 1/2" = 1'-0"



**2 East elevation**  
 1/2" = 1'-0"

**3 North Elevation**  
 1/2" = 1'-0"