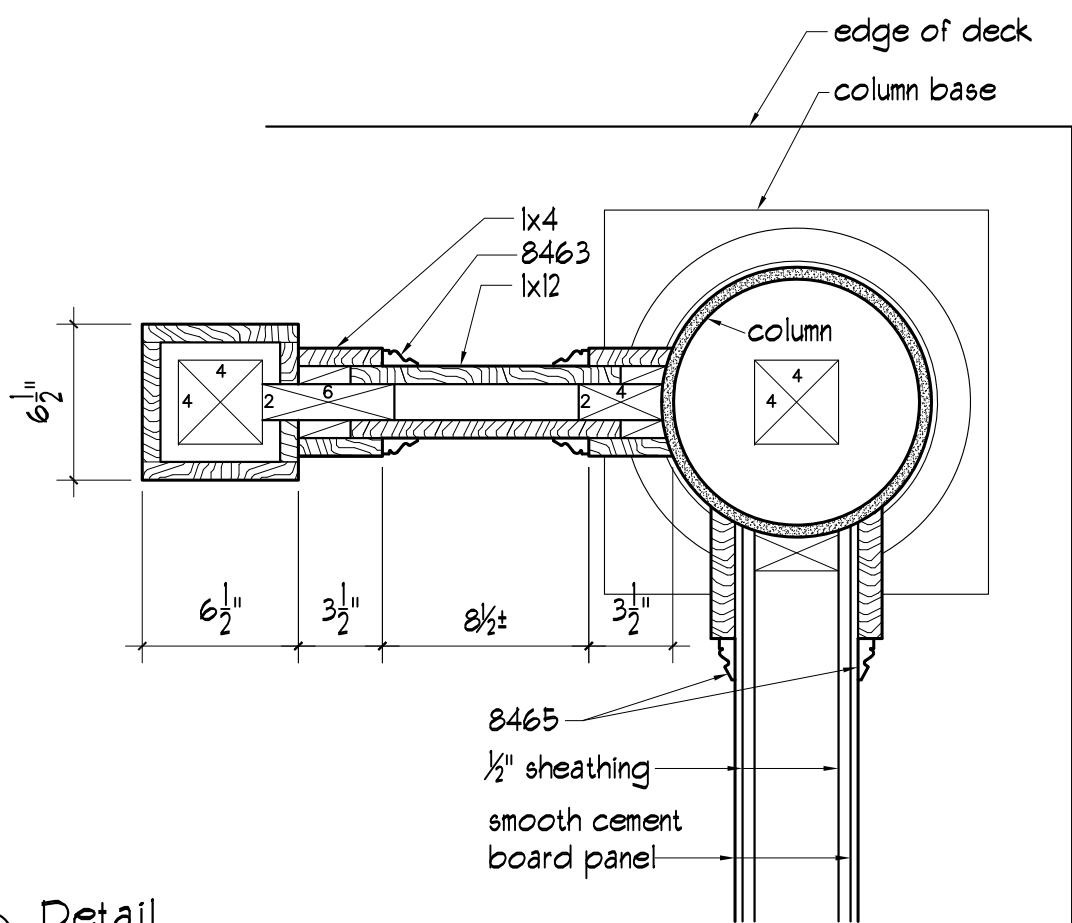
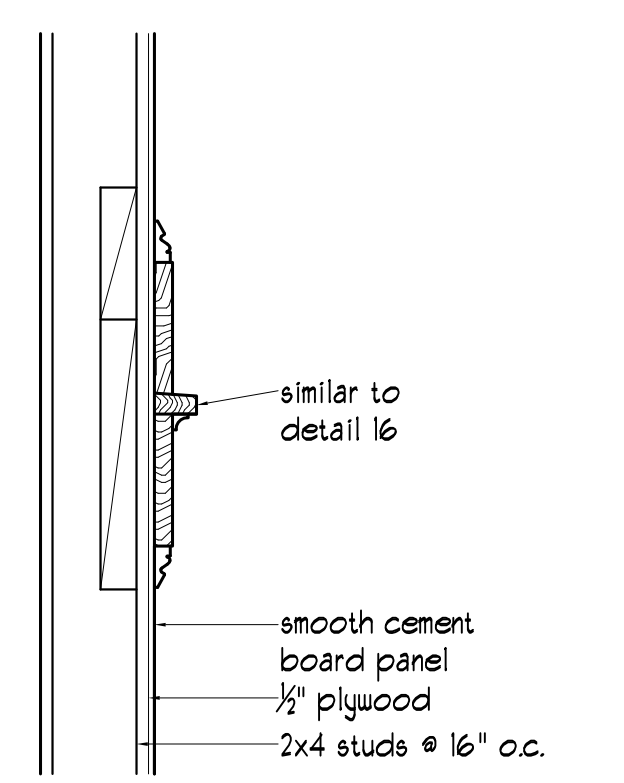


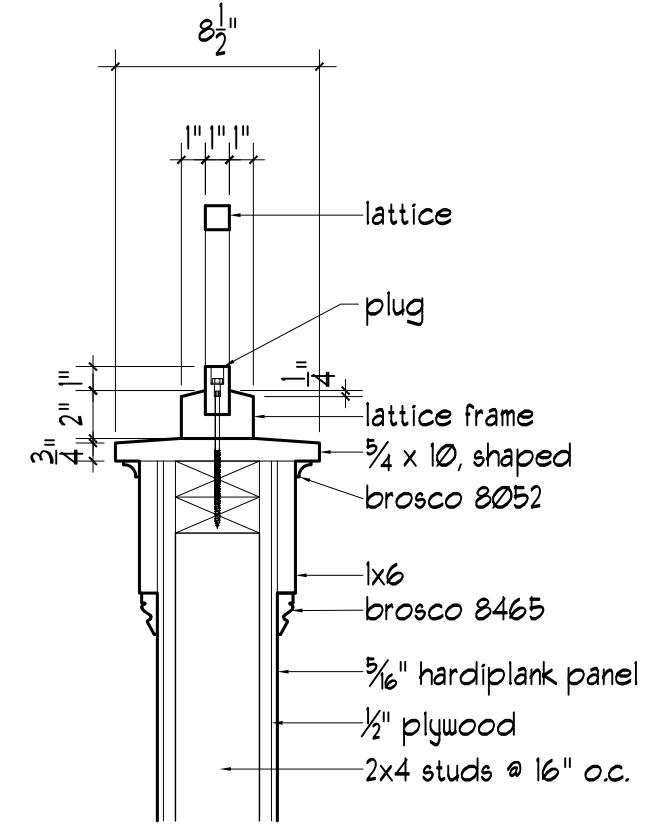
13 Detail  
 1/2" = 1'-0"



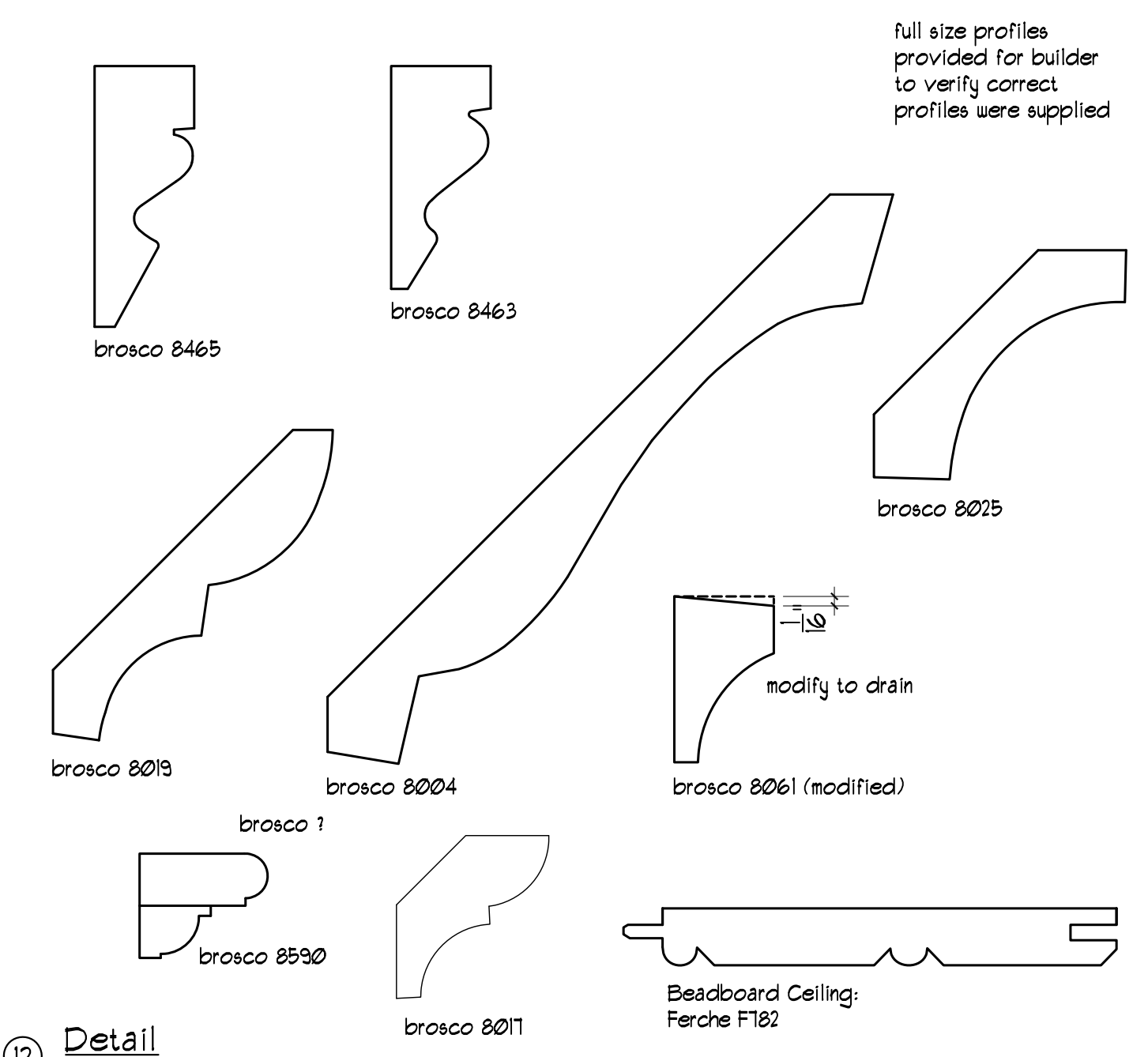
14 Detail  
 1/2" = 1'-0"



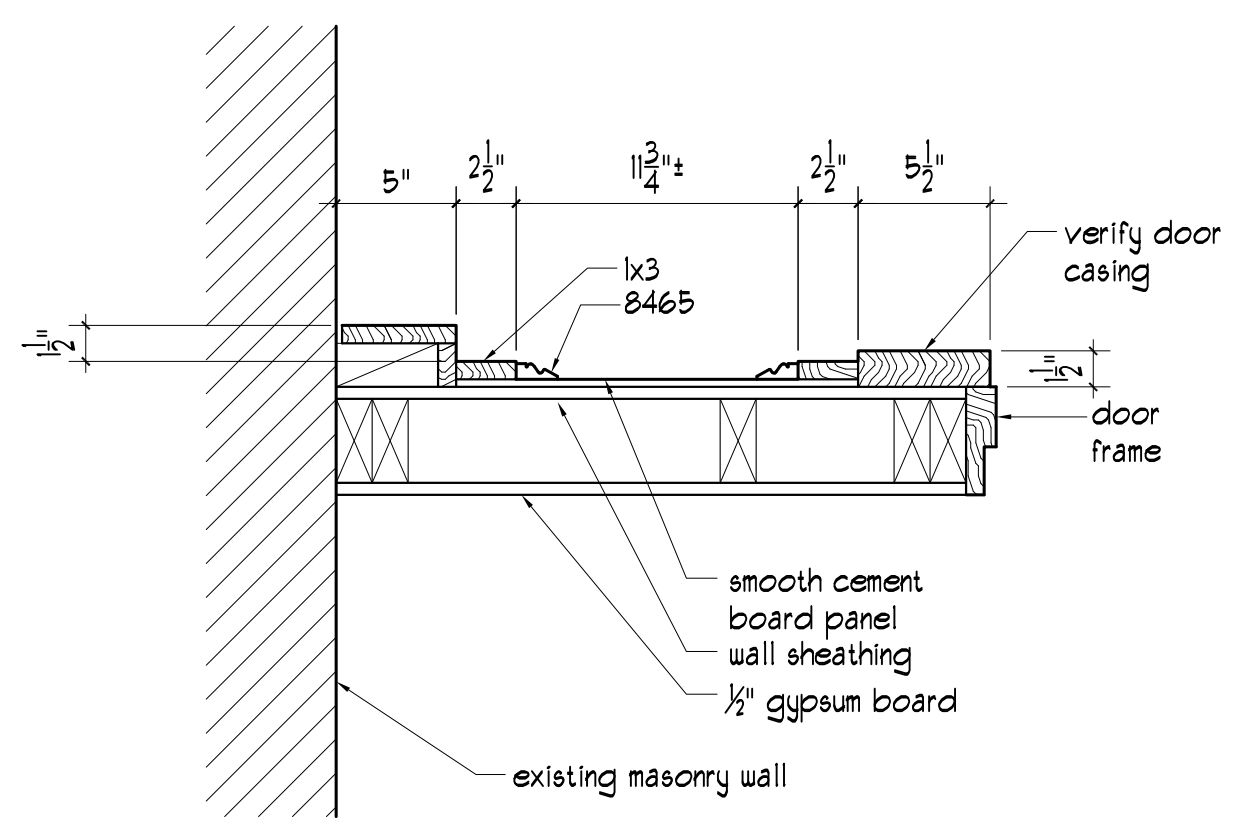
15 Detail  
 1/2" = 1'-0"



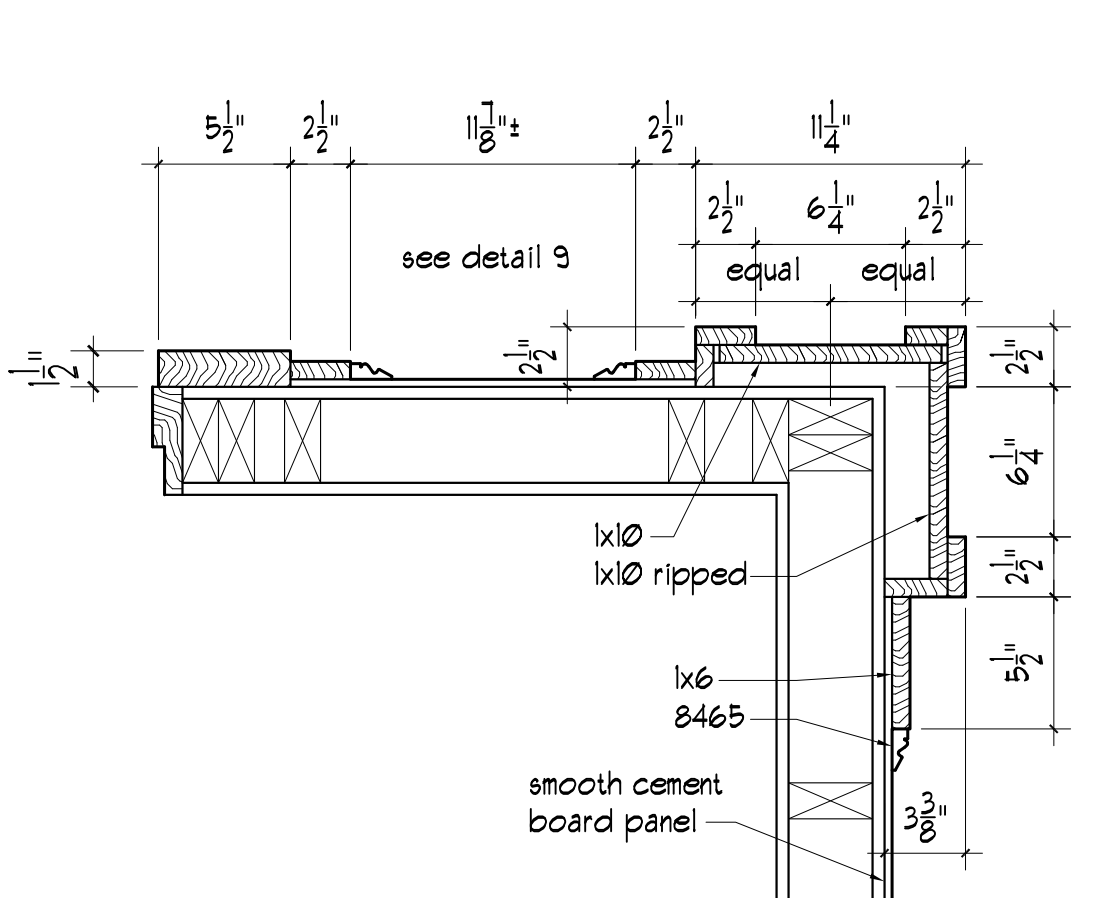
16 Detail  
 1/2" = 1'-0"



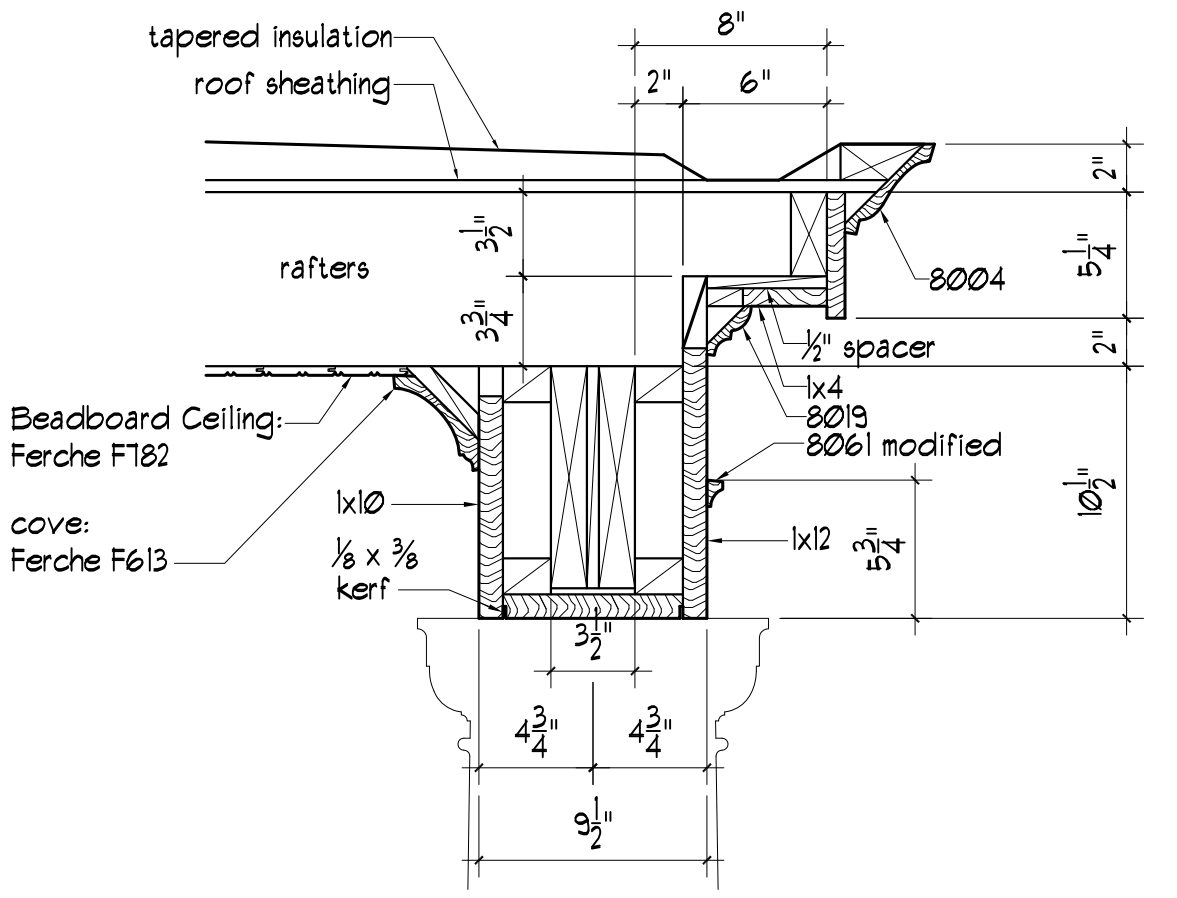
12 Detail  
 Full Size



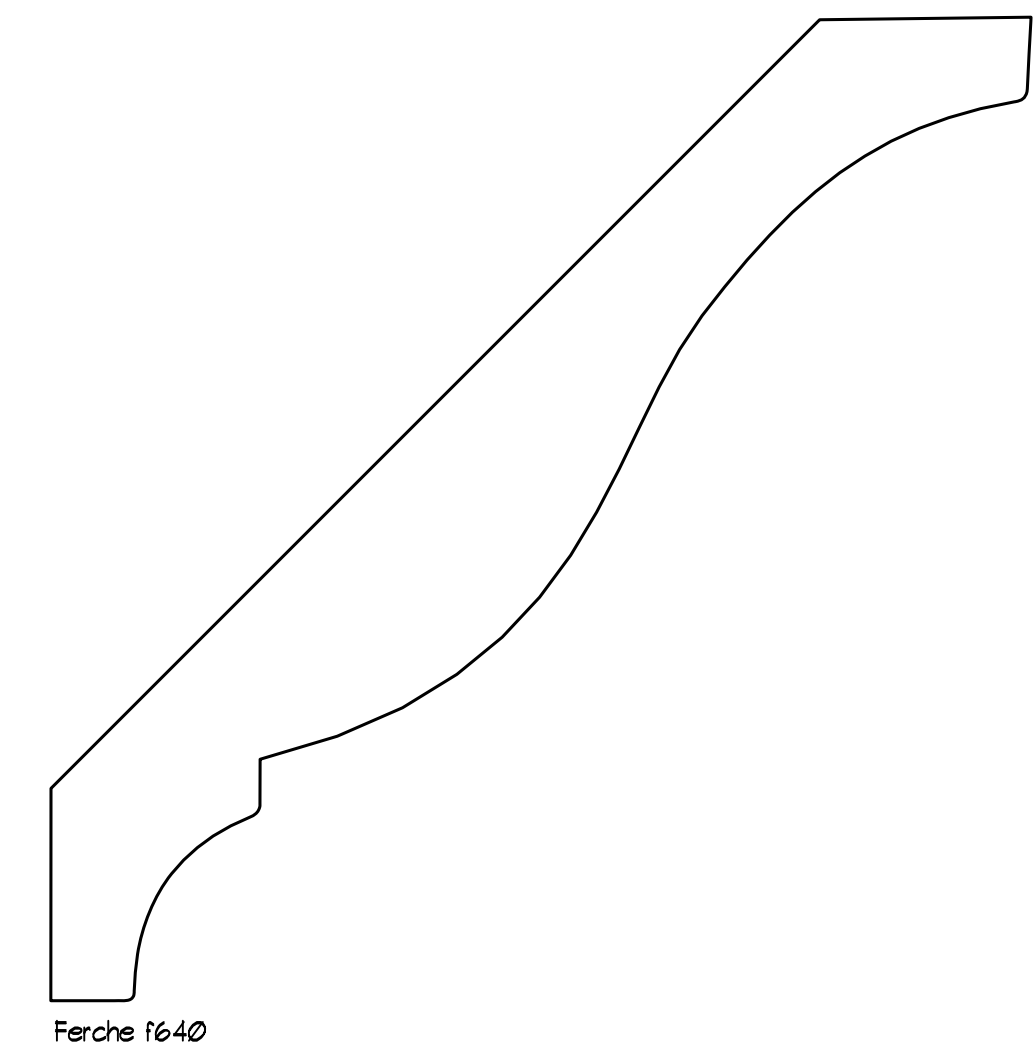
9 Detail  
 1/2" = 1'-0"



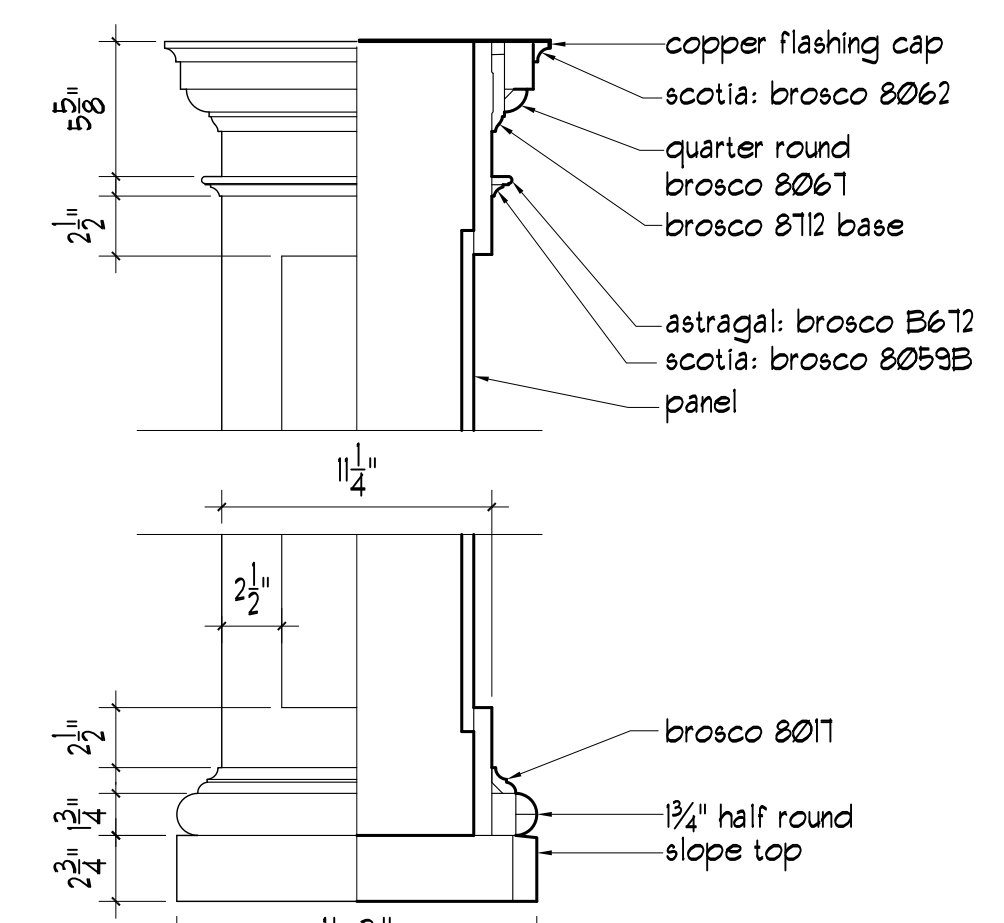
10 Detail (upper)  
 1/2" = 1'-0"



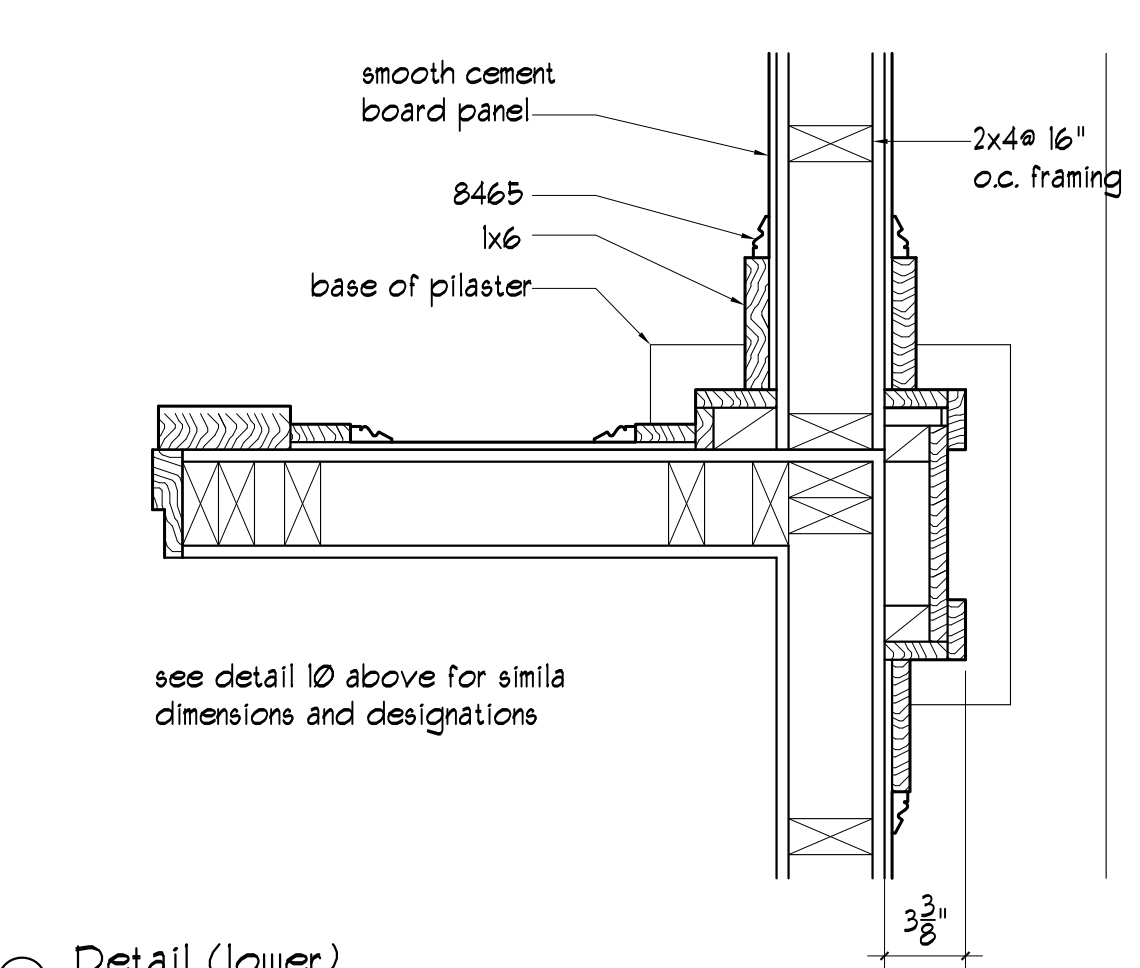
11 Detail  
 1/2" = 1'-0"



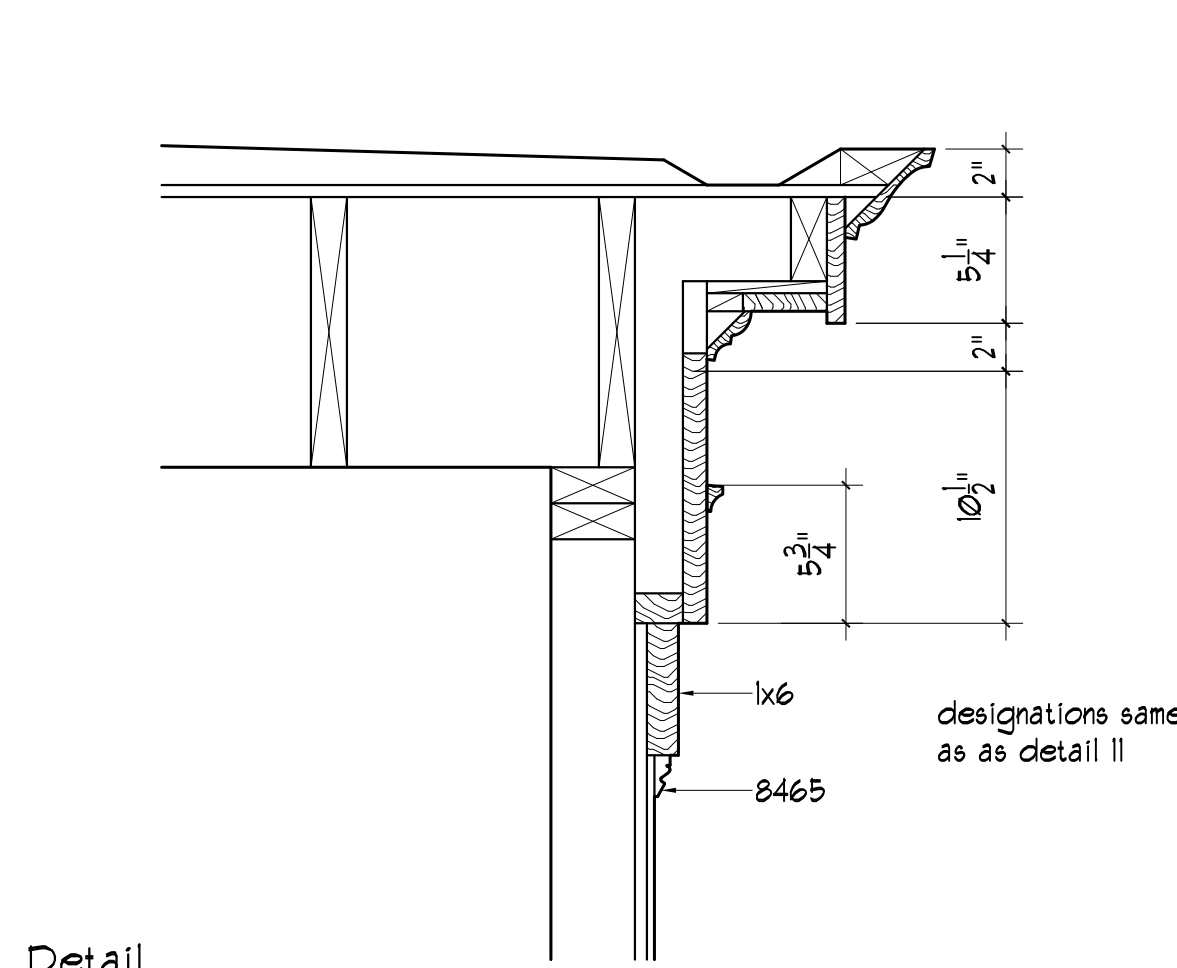
8 Detail  
 Full Size



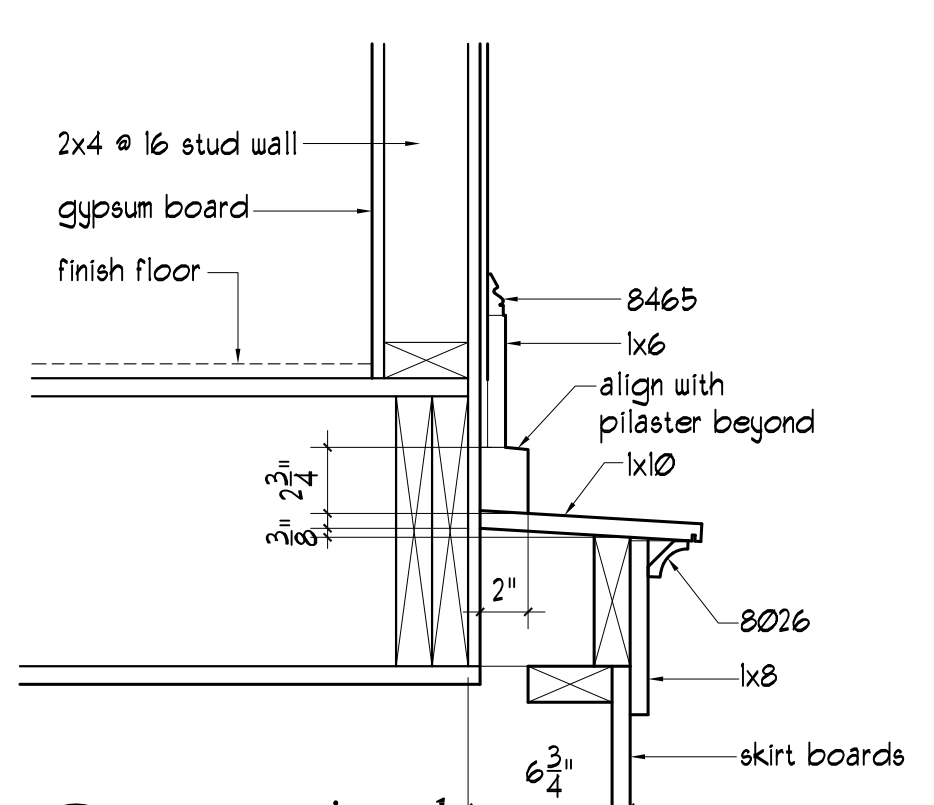
5 Detail @ Pilaster  
 1/2" = 1'-0"



6 Detail (lower)  
 1/2" = 1'-0"

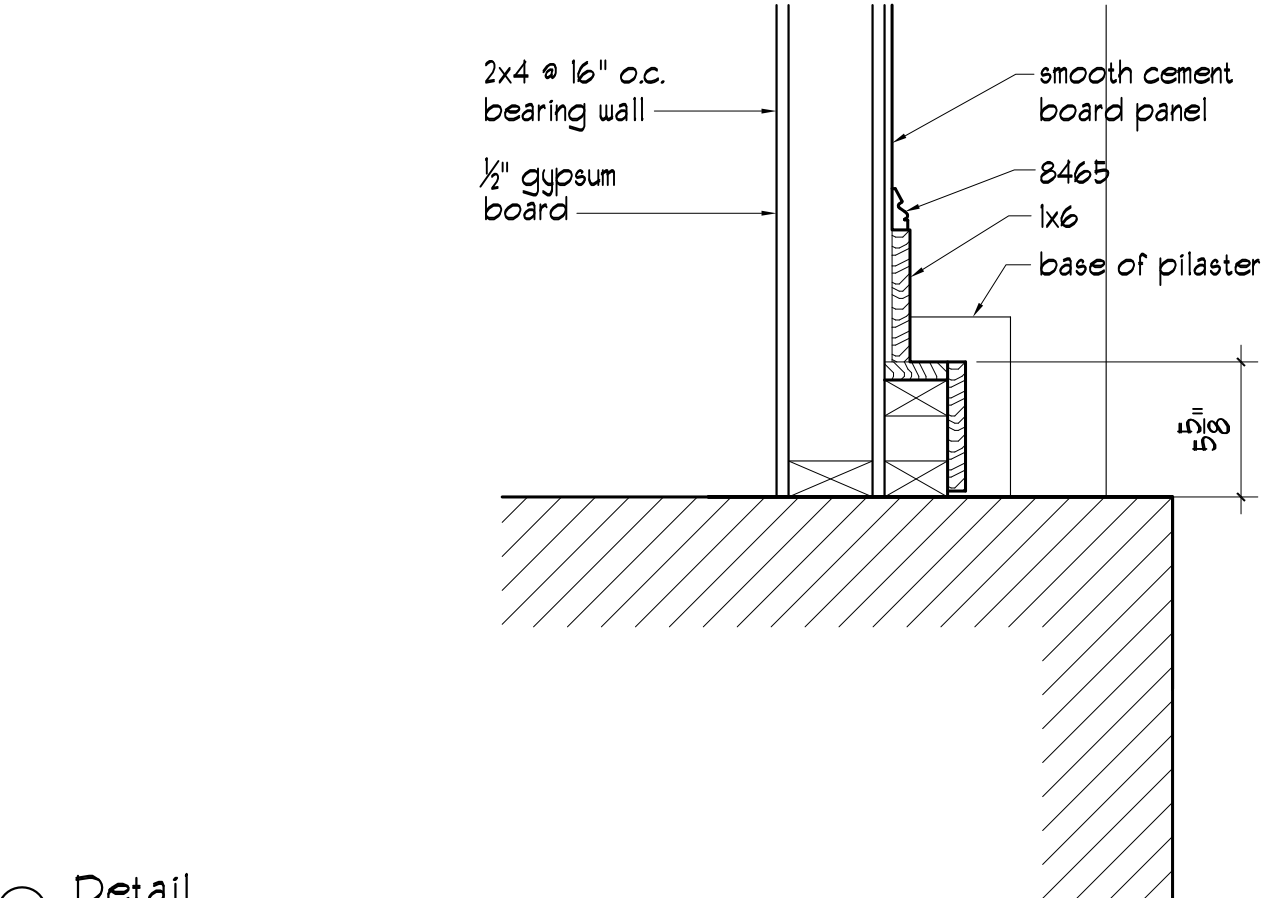


7 Detail  
 1/2" = 1'-0"

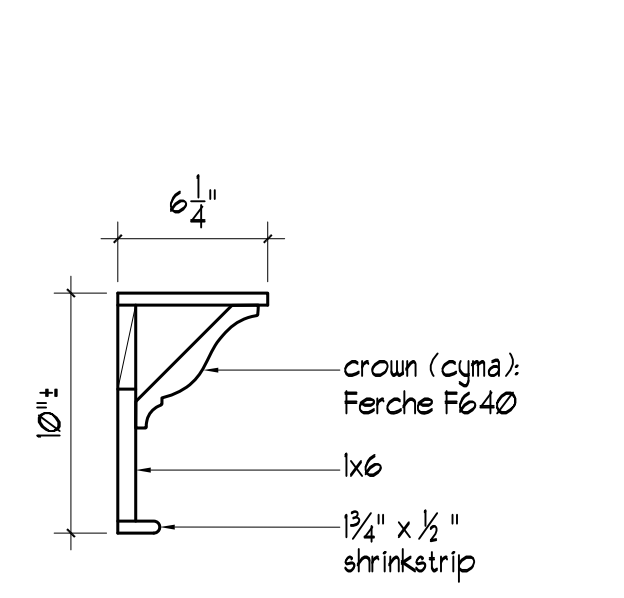


1 Detail  
 1/2" = 1'-0"

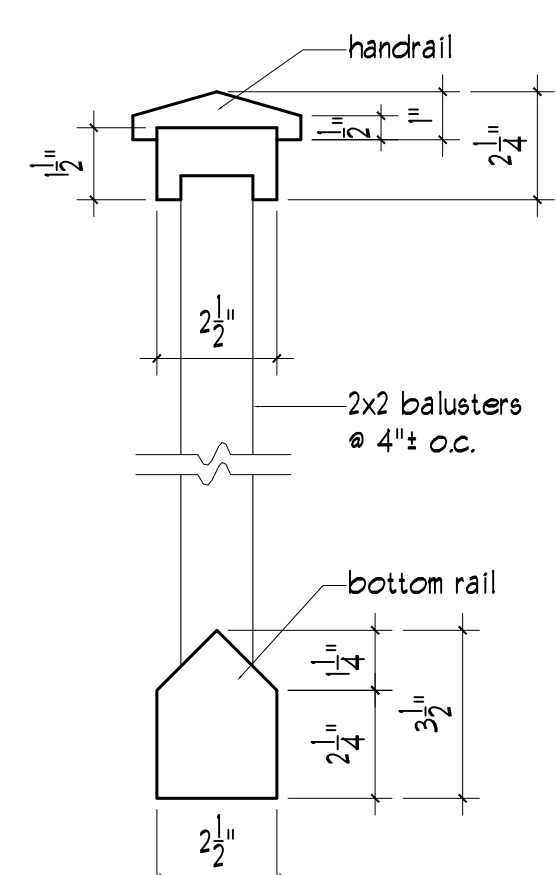
I cross section, short  
 1/2" = 1'-0"



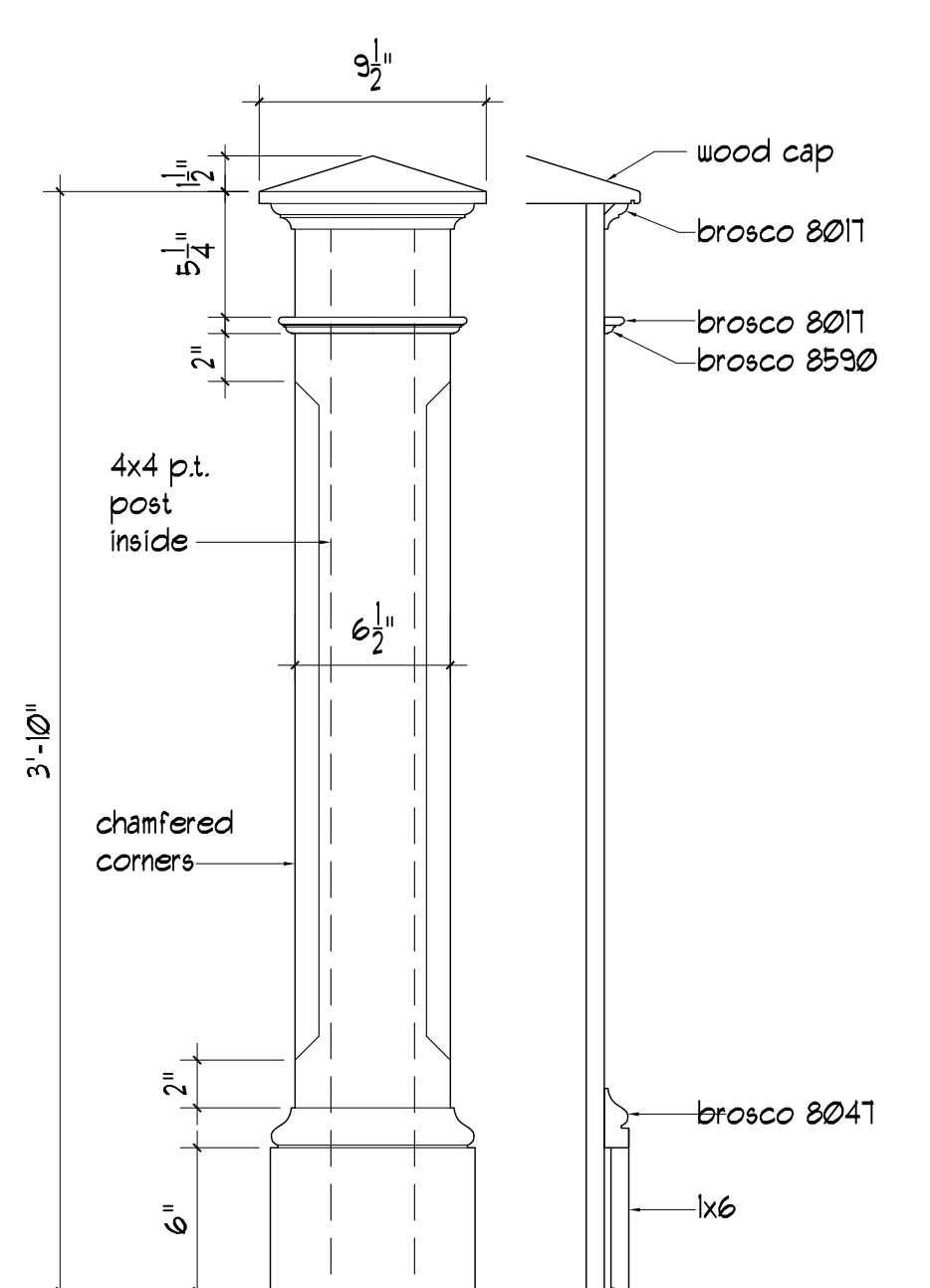
2 Detail  
 1/2" = 1'-0"



3 Detail  
 1/2" = 1'-0"



3a Detail  
 3" = 1'-0"



4 Detail  
 1/2" = 1'-0"