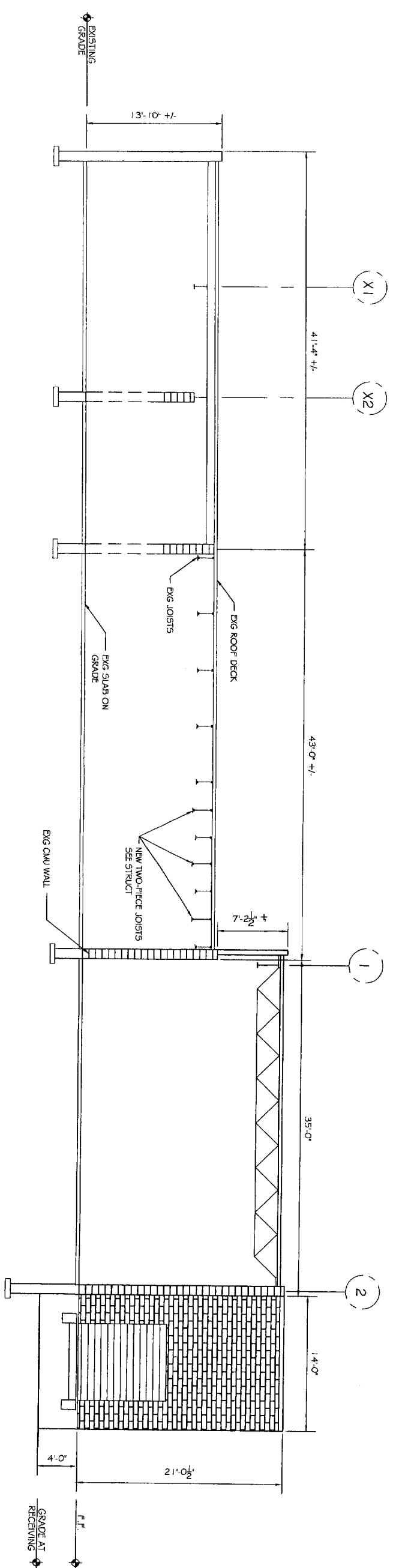


B1 SECTION THROUGH PROPOSED ADDITION
 A101 SCALE: 3/8" = 1'-0"



A1 SECTION THROUGH EXG. BLDG. & PROPOSED ADDITION
 A101 SCALE: 3/8" = 1'-0"

REVISIONS		
No.	BY	DATE

PROJECT: **SID HARVEY ADDITION**
160 ST. JOHN ST
 FOR: HARVEY ASSOCIATES

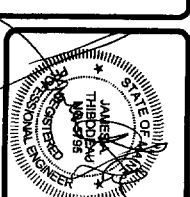
SHEET TITLE:
BUILDING SECTIONS
ISSUED FOR CONSTRUCTION

THIS DRAWING, DESIGN AND SPECIFICATIONS ARE THE PROPERTY OF ASSOCIATED DESIGN PARTNERS INC. THE REPRODUCTION, COPYING OR ANY MANNER WITHOUT WRITTEN CONSENT IS PROHIBITED.

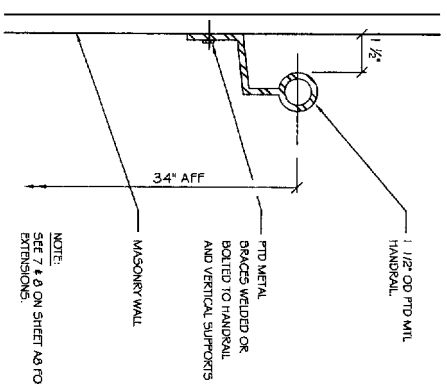
ASSOCIATED DESIGN PARTNERS INC.

80 Leighton Road
 Falmouth, Maine 04105

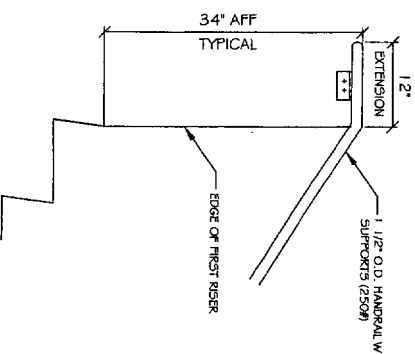
Office: (207) 878-1751
 Fax: (207) 878-1788
 E-Mail: odp@odpengineering.com



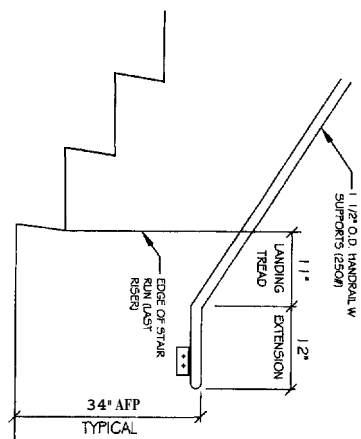
DATE: 09-07-2004
 SCALE: AS NOTED
 DESIGN BY: ASW
 DRAWN BY: NR
 FILE #: 04100_A501.DWG
 PROJECT NUMBER:
04100
 SHEET NO.
A501



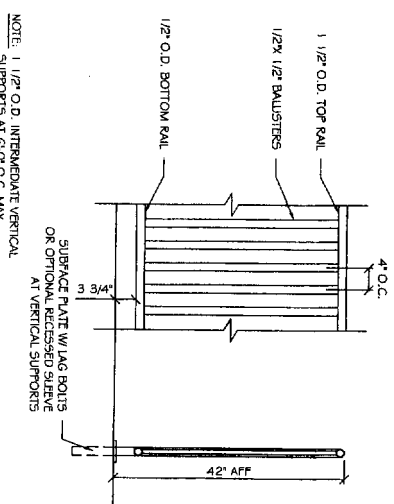
C4 HANDRAIL @ EXTERIOR WALL
NTS



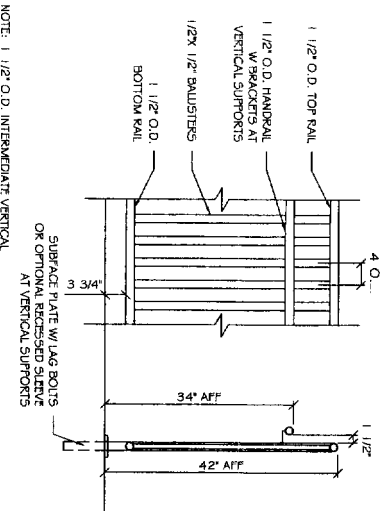
C3 HANDRAIL EXTENSION @ TOP
NTS



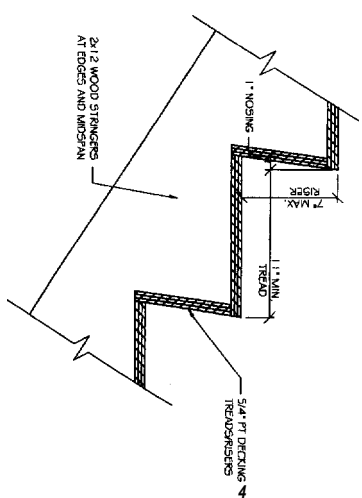
C2 HANDRAIL EXTENSION @ BOTTOM
NTS



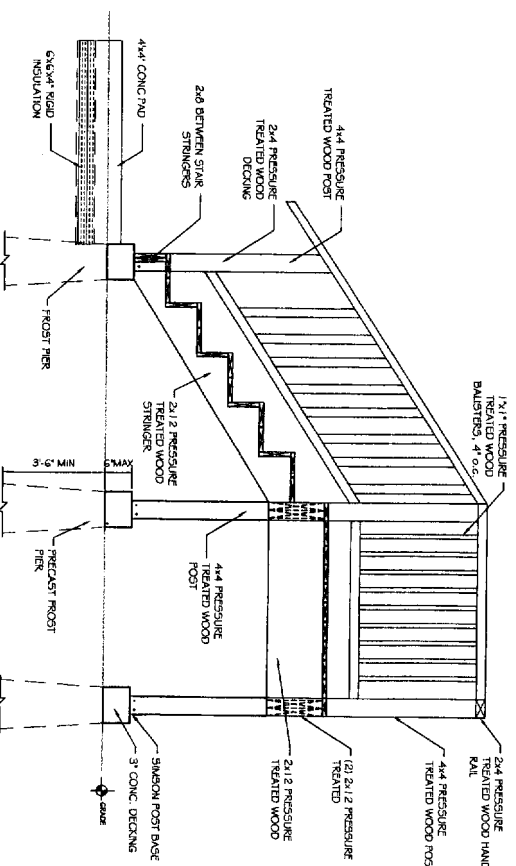
C1 TYPICAL EXTERIOR GUARDRAIL
NTS



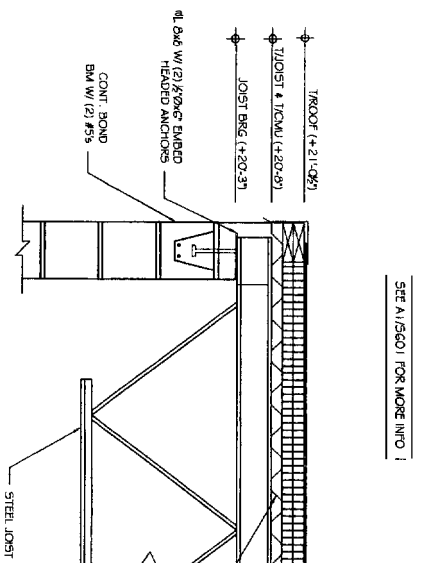
B3 EXTERIOR GUARDRAIL/HANDRAIL
NTS



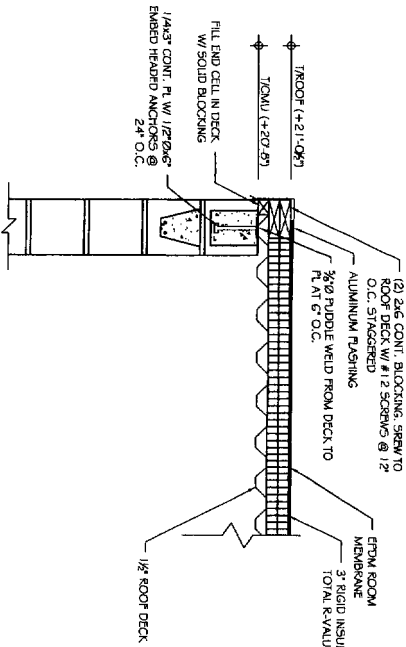
B2 TYPICAL STAIR TREADRISER
NTS



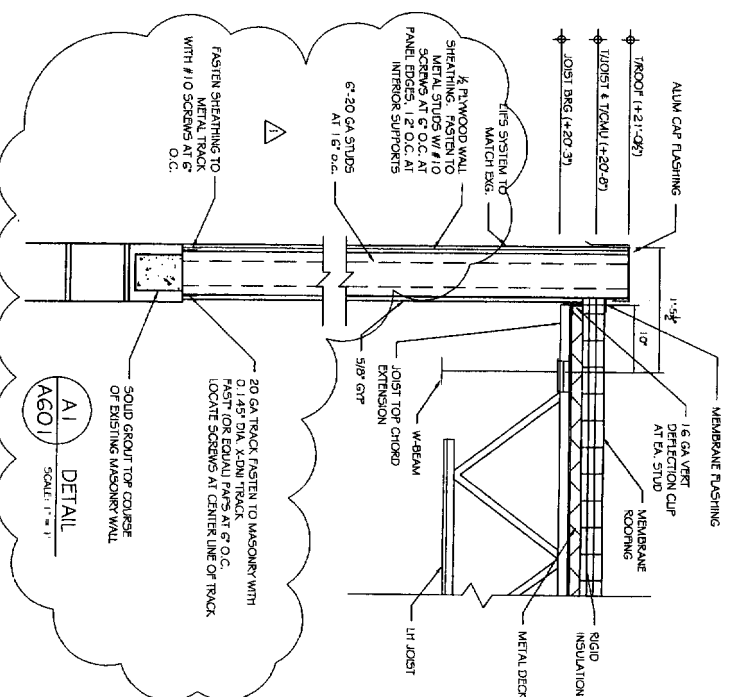
B1 ELEVATION AT STAIRS
NTS



A3 JOIST BEARING @ LINE 2
AG01 SCALE: 1" = 1'-0"



A2 SECTION AT LINE 2
AG01 SCALE: 1" = 1'-0"



A1 DETAIL
AG01 SCALE: 1" = 1'-0"

REVISIONS		
No.	BY	DATE
1	ASW	10/28/04
GENERAL REVISIONS		

SID HARVEY ADDITION
160 ST. JOHN ST
FOR HARVEY ASSOCIATES

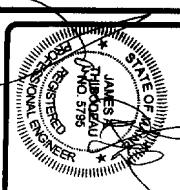
SHEET TITLE:
ARCHITECTURAL DETAILS
ISSUED FOR CONSTRUCTION

THIS DRAWING, DESIGN AND ELECTRONIC FILE ARE THE PROPERTY OF ASSOCIATED DESIGN PARTNERS, INC. NO PART OF THIS DRAWING OR ELECTRONIC FILE IS TO BE REPRODUCED OR TRANSMITTED IN ANY FORM OR BY ANY MEANS WITHOUT WRITTEN CONSENT OF ASSOCIATED DESIGN PARTNERS, INC.

ASSOCIATED DESIGN PARTNERS INC.

80 Leighton Road
Falmouth, Maine 04105

Office: (207) 878-1751
Fax: (207) 878-1788
E-Mail: odp@odpengineering.com



DATE: 09-07-2004
SCALE: 1/2" = 1'-0"
DESIGN BY: ASW
DRAWN BY: AL

PROJECT NUMBER:
04100

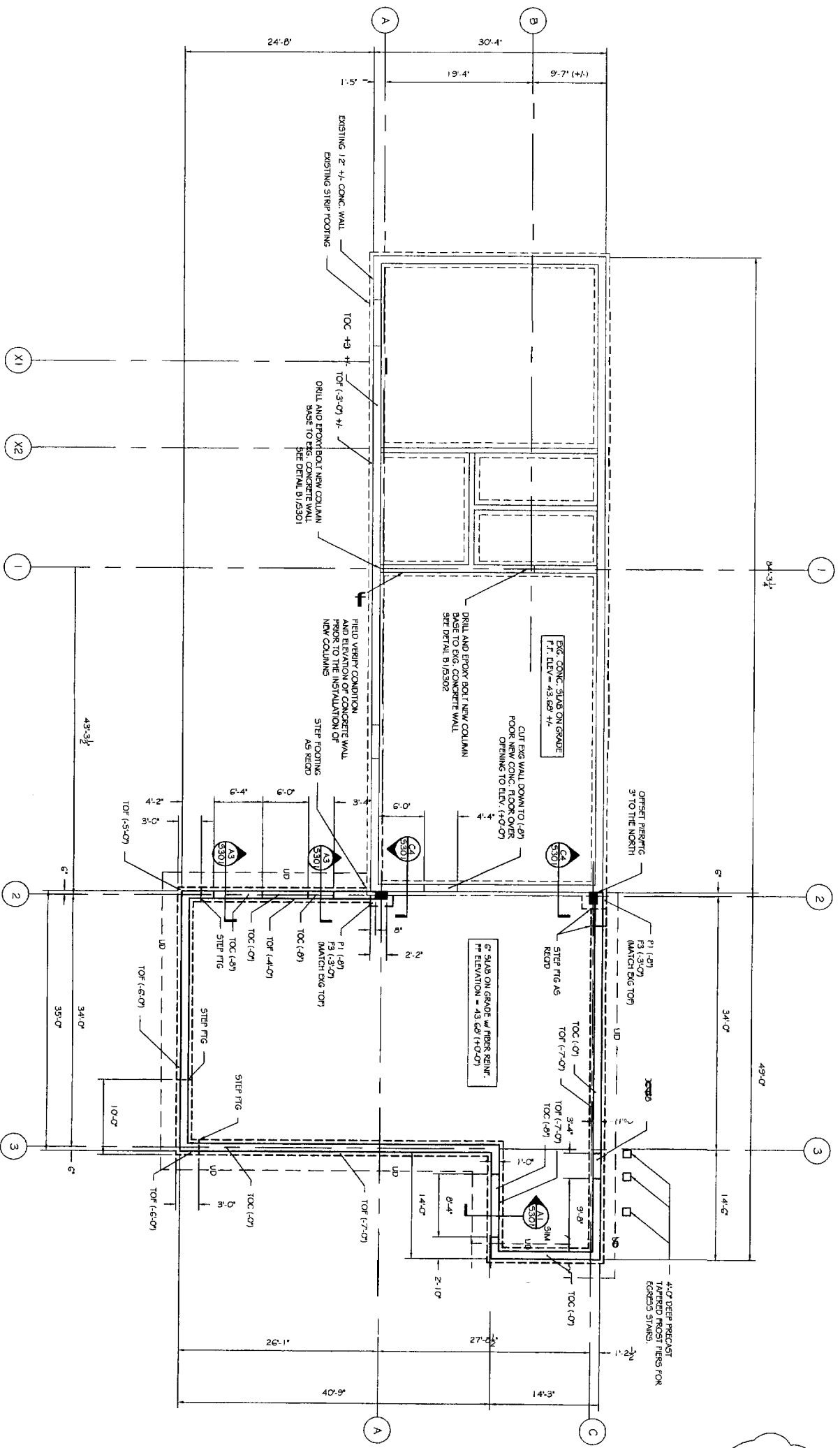
TITLE: 04100.ART.DWG

SHEET NO.:
A601



FOUNDATION SCHEDULE			
MARK	SIZE	REINFORCING	
F3	3'-0" x 3'-0" x 1'-0"	4 #4'S E.W.	

PIER SCHEDULE				
TYPE	SIZE	VERT	TIES	SHAPE
F1	12x18"	4#5'S	4#4'S AT 12" O.C.	[]



- NOTES:
1. F.F. ELEVATION = (43.69) = (+0-0) U.N. +/- FROM THIS ELEVATION.
 2. TOF INDICATES TOP OF FOOTING
 3. TOC INDICATES TOP OF CONCRETE
 4. — UD — INDICATES 4" UNDER DRAIN (SHOWN SCHEMATICALLY) COORDINATE WITH SITE PLAN.
 5. PIERS AND FOOTINGS ARE CENTERED ON COLUMN GRIDS UNLESS OTHERWISE NOTED.
 6. PRE-CAST/CAST-IN-PLACE FOOTINGS BY SUPERIOR CONCRETE (734-9144) GARDNER & SOHNS (800-339-3313), OR APPROVED EQUAL.
 7. FOUNDATION DESIGN BASED ON ALLOWABLE SOIL BEARING PRESSURE OF 2000 PSF. G.C. TO CONTACT ENGINEER TO INSPECT SOIL CONDITIONS PRIOR TO FOOTING INSTALLATION.

A1 PROPOSED ROOF FRAMING
S101 SCALE: 1/8" = 1'-0"

REVISIONS		
No.	BY	DESCRIPTION
1	ASW	GENERAL REVISIONS

PROJECT: **SID HARVEY ADDITION**
160 ST. JOHN ST
 FOR: HARVEY ASSOCIATES

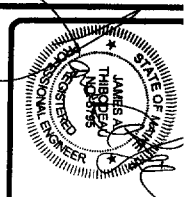
SHEET TITLE:
FOUNDATION PLAN
ISSUED FOR CONSTRUCTION

THIS DRAWING, EXCEPT AND NOTWITHSTANDING ANY NOTATION TO THE CONTRARY, IS THE PROPERTY OF ASSOCIATED DESIGN PARTNERS INC. AND IS NOT TO BE REPRODUCED OR TRANSMITTED IN ANY FORM OR BY ANY MEANS, ELECTRONIC OR MECHANICAL, WITHOUT WRITTEN CONSENT OF ASSOCIATED DESIGN PARTNERS INC.

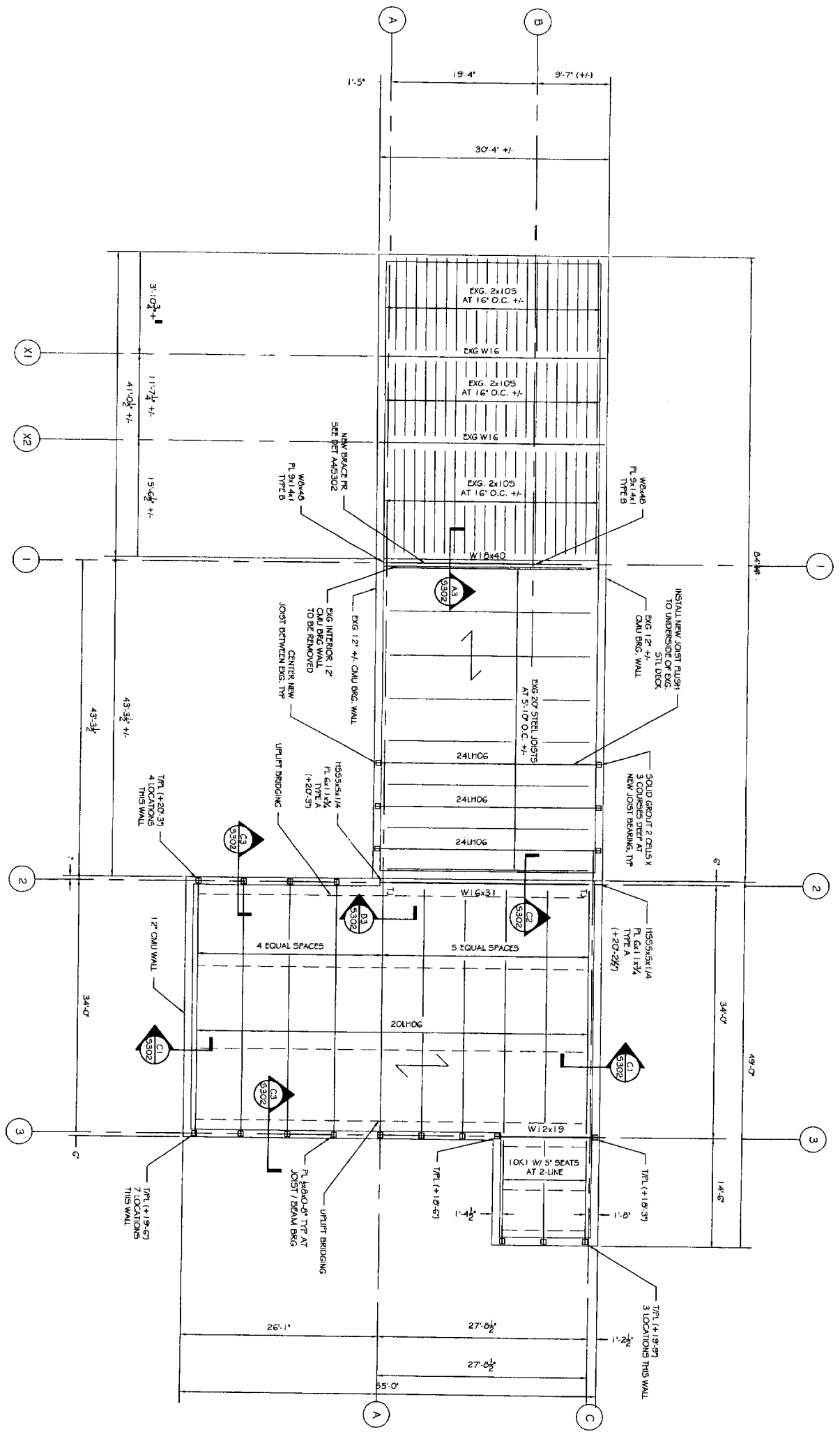
ASSOCIATED DESIGN PARTNERS INC.

80 Leighton Road Falmouth, Maine 04105

Office: (207) 878-1751
 Fax: (207) 878-1788
 E-Mail: adp@adpengineering.com



DATE: 09-07-2004
 SCALE: 1/8" = 1'-0"
 DESIGN BY: ASW
 DRAWN BY: NBR
 FILE # : 04100.STD/15MS
 PROJECT NUMBER:
04100
 SHEET NO:
S101



- NOTES:
1. TITL INDICATED (+X'-Y) REFERENCED FROM FIN. FLOOR ELEVATION 43.42' = (+0'-0')
 2. INDICATES SPAN UP 22GA TYPE B METAL ROOF FRG. SEE NOTES ON S303 FOR FASTENING.
 3. INDICATES 1/2" X 1/2" HORIZONTAL ANGLE JOIST BRIDGING.
 4. TI INDICATES ROATED TIE JOIST.

A1 PROPOSED ROOF FRAMING PLAN
 A101 SCALE: 1/8" = 1'-0"

REVISIONS		DATE
No.	DESCRIPTION	
1		
2		
3		
4		

PROJECT: **SID HARVEY ADDITION**
 160 ST. JOHN ST
 FOR: HARVEY ASSOCIATES

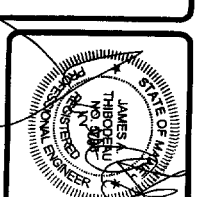
SHEET TITLE: **ROOF FRAMING PLAN**
 ISSUED FOR CONSTRUCTION

THIS DRAWING, SPECIFICATIONS AND EXHIBITS ARE THE PROPERTY OF ASSOCIATED DESIGN PARTNERS, INC. AND ARE NOT TO BE REPRODUCED OR TRANSMITTED IN ANY FORM OR BY ANY MEANS, ELECTRONIC OR MECHANICAL, WITHOUT WRITTEN CONSENT OF ASSOCIATED DESIGN PARTNERS, INC.

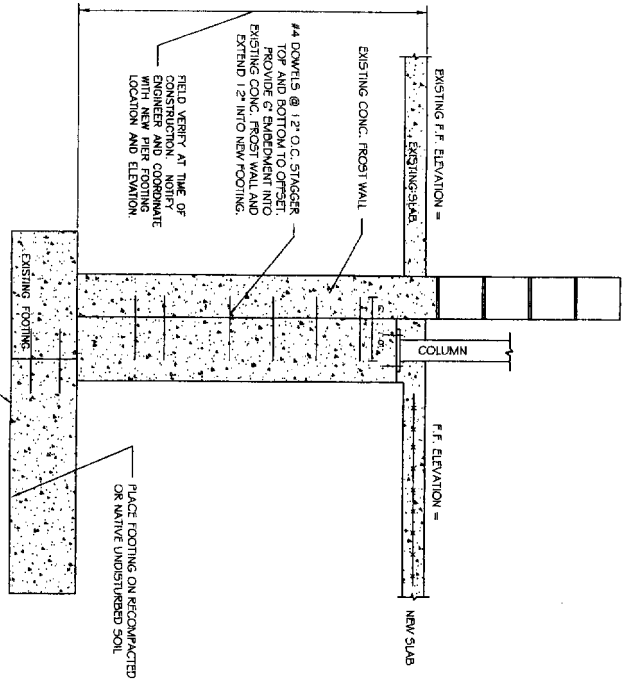
ASSOCIATED DESIGN PARTNERS INC.

80 Leighton Road
 Falmouth, Maine 04105

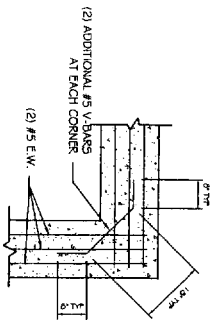
Office: (207) 878-1751
 Fax: (207) 878-1788
 E-Mail: adp@adpengineering.com



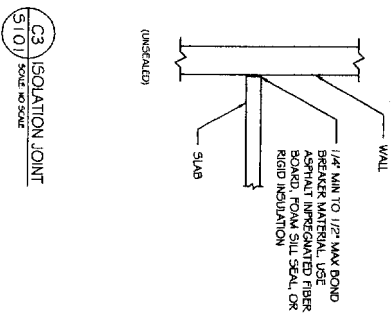
DATE: 09-07-2004
 SCALE: 1/8" = 1'-0"
 DESIGN BY: JSW
 DRAWN BY: NRR
 FILE # 04100.S101.DWG
 PROJECT NUMBER: **04100**
 SHEET NO.: **S201**



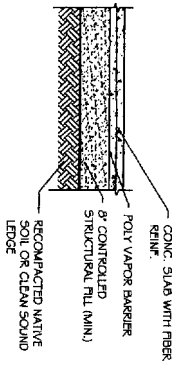
C4 NEW FOUND WALL TO EXG. WALL
S101 SCALE: 1/2\"/>



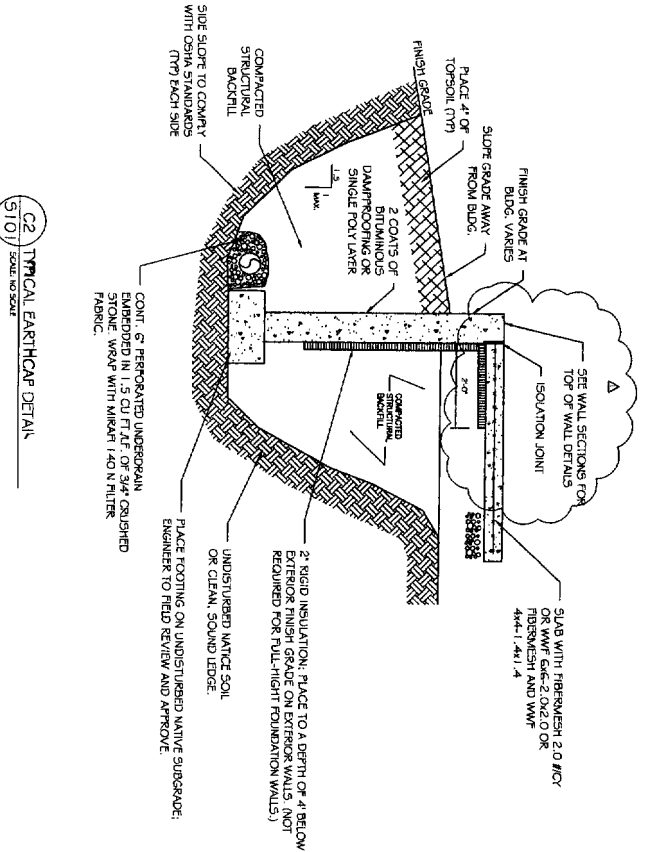
B4 CORNER REINFORCING IN FOOTING
S101 SCALE: 1/2\"/>



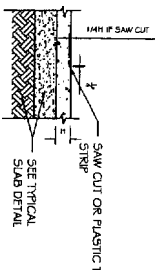
C3 ISOLATION JOINT
S101 SCALE: AS SHOWN



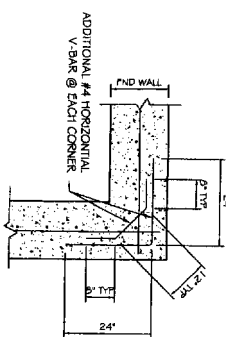
B3 TYPICAL SLAB DETAIL
S101 SCALE: 1/2\"/>



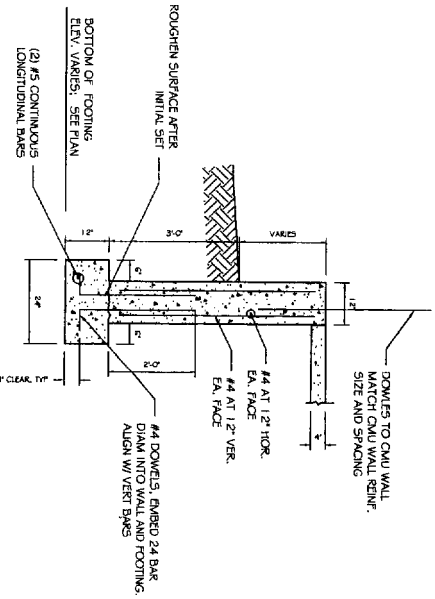
C2 TYPICAL EARTHCAK DETAIL
S101 SCALE: AS SHOWN



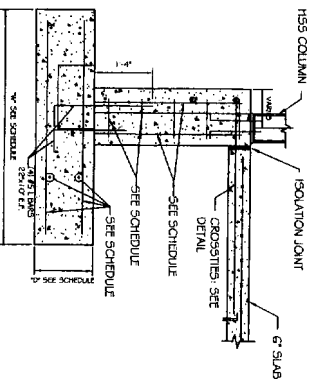
B2 TYPICAL SLAB CONTROL JOINT DETAIL
S101 SCALE: 1/2\"/>



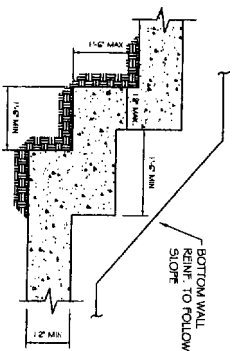
C1 CORNER REINFORCING IN FOUNDATION WALL
S101 SCALE: 1/2\"/>



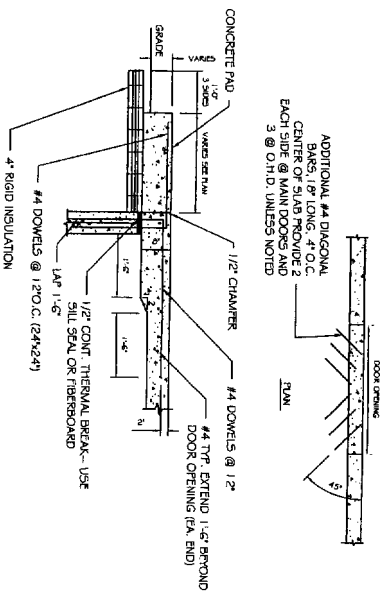
A3 TYPICAL 12\"/>



A2 PIER FOOTING SECTION
S101 SCALE: 1/2\"/>



B1 STEPPED FOOTING DETAIL
S101 SCALE: 1/2\"/>



A1 TYPICAL SLAB DETAIL @ DOOR OPENINGS
S101 SCALE: 1/2\"/>

REVISIONS		
No.	BY	DESCRIPTION
1	ASW	GENERAL REVISIONS
2		
3		
4		

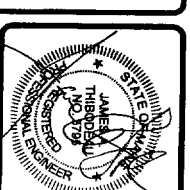
SID HARVEY ADDITION
160 ST. JOHN ST
FOR HARVN ASSOCIATES

SHEET TITLE
FOUNDATION NOTES AND DETAILS
ISSUED FOR CONSTRUCTION

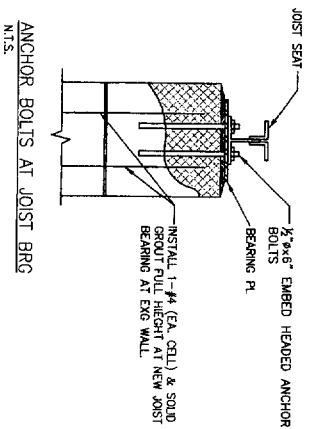
THIS DOCUMENT, DESIGN AND CALCULATIONS ARE THE PROPERTY OF ASSOCIATED DESIGN PARTNERS INC. NO PART OF THIS DOCUMENT SHALL BE REPRODUCED OR TRANSMITTED IN ANY FORM OR BY ANY MEANS WITHOUT THE WRITTEN CONSENT OF THE ENGINEER.

ASSOCIATED DESIGN PARTNERS INC.

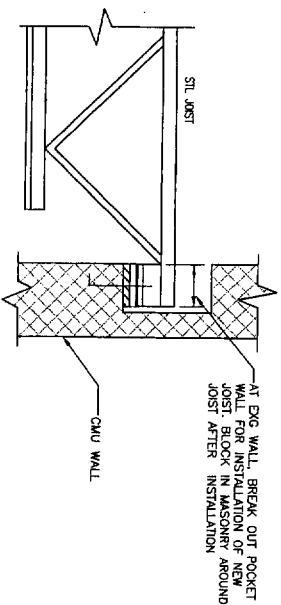
80 Leighton Road, Falmouth, Maine 04105
Office: (207) 878-1751
Fax: (207) 878-1788
E-Mail: adp@adpengineering.com



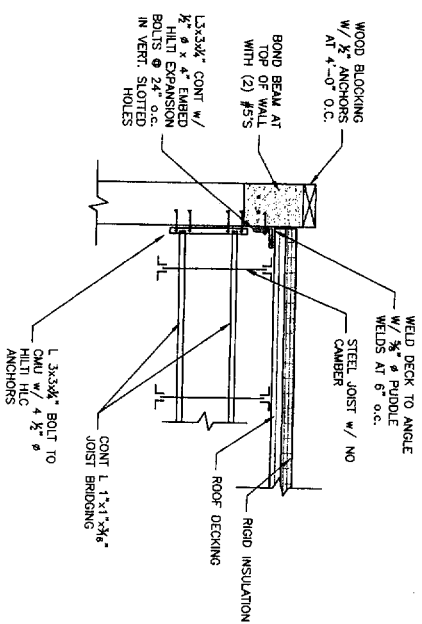
DATE: 09-07-2004
SCALE: AS NOTED
DESIGN BY: ASW
DRAWN BY: NSR
FILE # 041001-5301.DWG
PROJECT NUMBER:
04100
SHEET NO.:
S301



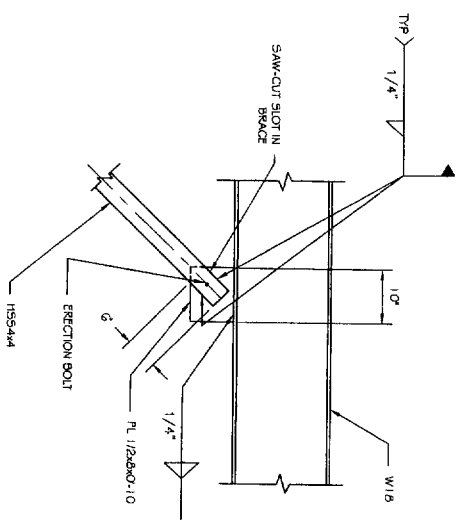
C1 JOIST BRG AT CMU WALL
SCALE: NO SCALE



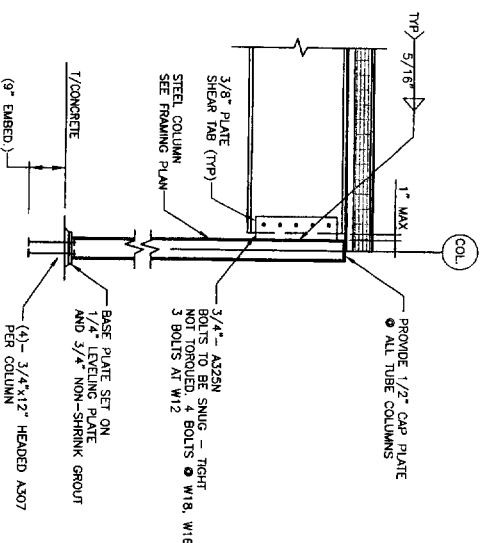
C2 TYPICAL STEEL ROOF JOIST ON BEAM DETAIL
SCALE: NO SCALE



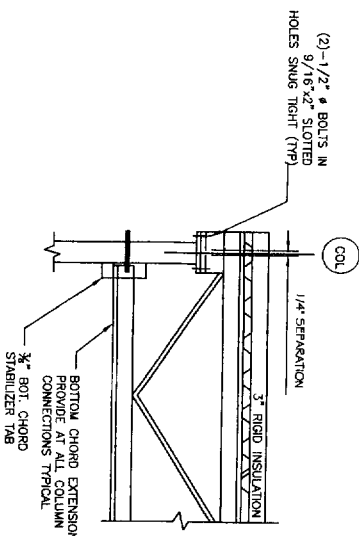
C3 TYP. JOIST PARALLEL TO CMU WALL
SCALE: NO SCALE



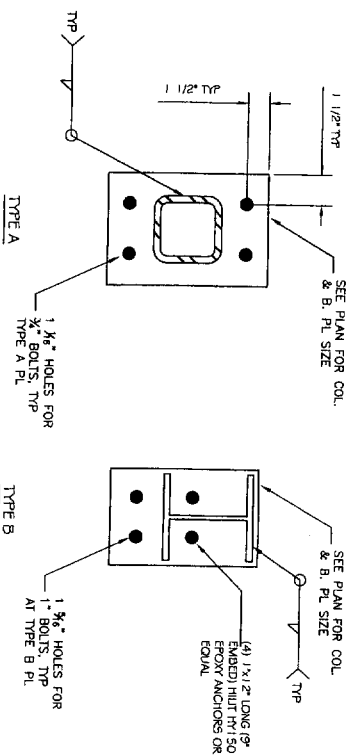
B4 BRACE FRAME CONNECTION
SCALE: 3/4\"/>



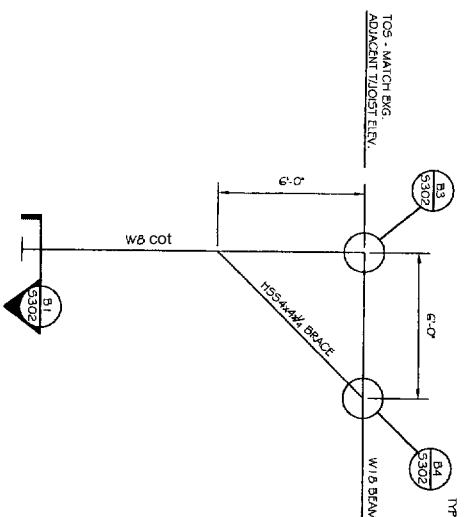
B3 TYPICAL COLUMN DETAIL
SCALE: NO SCALE



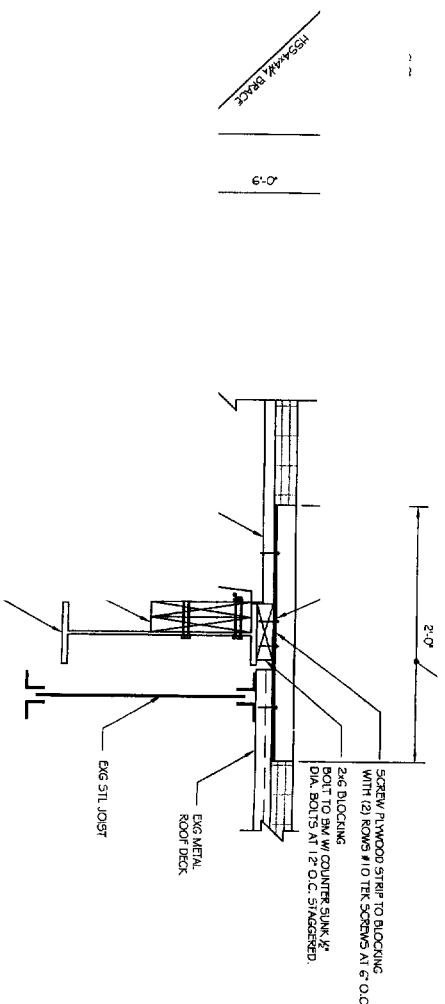
B2 TYPICAL STEEL ROOF JOIST ON COLUMN
SCALE: NO SCALE



B1 TYP COLUMN BASE PLATES
SCALE: NO SCALE



A4 BRACE FRAME AT LINE 1
SCALE: NO SCALE



A2 TYP. 12\"/>

- NOTES:
- BOTH CELLS @ INTERSECTION CORNERS TO BE REINF. W/ 1-#5
 - LOC. BOND BAR W/ 2-#5'S CONT. AT TOP OF ALL WALLS AND AT MID-HEIGHT OF WALL CORNERS AT ALL WINDOW/DOOR OPENINGS W/ 1-#6 FULL HEIGHT
 - REINFORCE JAMBS AT ALL MATCH SIZE AND SPACING OF WALL, REIN. EMBED 36 BAR DIA'S, TYP
 - REIN. 1-CELL FULL HEIGHT AT ALL WALL ENDS

- NOTES:
- HORIZONTAL JOINT REINF. TO BE CONT. THROUGH CONTROL JOINT.
 - DOWNHOLE BOND BEAMS AT CONTROL JOINT. BOND BEAM RE-BAR TO CONTINUE THROUGH JOINT.

REVISIONS		
No.	BY	DESCRIPTION
1	ASW	GENERAL REVISIONS
2		
3		
4		

PROJECT: **SID HARVEY ADDITION**
160 ST. JOHN ST
FOR: HARVEY ASSOCIATES

SHEET TITLE: **DETAILS**
ISSUED FOR CONSTRUCTION

THIS DRAWING, SPECIFICATIONS AND CONDITIONS ARE THE PROPERTY OF ASSOCIATED DESIGN PARTNERS, INC. NO PART OF THIS DRAWING OR ANY INFORMATION CONTAINED HEREIN IS TO BE REPRODUCED OR TRANSMITTED IN ANY FORM OR BY ANY MEANS, ELECTRONIC OR MECHANICAL, WITHOUT THE WRITTEN PERMISSION OF ASSOCIATED DESIGN PARTNERS, INC.

ASSOCIATED DESIGN PARTNERS INC.

80 Leighton Road Falmouth, Maine 04105 Office: (207) 878-1751 Fax: (207) 878-1788 E-Mail: adp@adpengineering.com

DATE: 08-07-2004
SCALE: 3/4\"/>

STRUCTURAL STEEL NOTES, CONT.

- 1. COORS
- CONCRETE WITH THE FOLLOWING LAYER ERRORS AND CORRECT AMENDMENTS:
 - 1.1. NO. 30 - SPECIFICATIONS FOR STRUCTURAL CONCRETE
 - 1.2. ACI 308 - TESTING CODE REQUIREMENTS FOR
 - 1.3. TEST METHODS FOR STRUCTURAL CONCRETE
 - 1.4. MANUAL OF QUALITY CONTROL FOR CONSTRUCTION OF STRUCTURAL CONCRETE
- 2. FINISH:
 - 2.1. LABORATORY TESTS - CONCRETE FINISH, FIELD
 - 2.2. FIELD TESTS - PROTECT FIELD TESTS FOR SLURRY, AIR
 - 2.3. COMPRESSION TESTING #1 AT 7 DAYS AND #2 AT 28
 - 2.4. TENSILE TESTING #1 AT 7 DAYS AND #2 AT 28
- 3. SUBMITTALS:
 - 3.1. TEST REPORTS - 10 COPIES EACH FOR ALL LABORATORIES AND FIELD TESTS COMPLETED
 - 3.2. CONCRETE REINFORCING SHOP DRAWINGS SHOWING BAR
 - 3.3. APPROVE EACH LAYOUTING PARTY SHOP DRAWING
- 4. MATERIALS:
 - 4.1. REINFORCING STEEL GRADE EQ. ASTM A615, NEW
 - 4.2. REINFORCING FOR SLABS, EQUAL TO PREVIOUS, 1.5
 - 4.3. REINFORCING SHALL BE APPROVED BY THE ARCHITECT BEFORE ANY CONCRETE OR REINFORCING STEEL
- 5. CONCRETE:
 - 5.1. SLABS:
 - 5.1.1. CONCRETE SHALL BE ASTM 150, TYPE II PORTLAND CEMENT
 - 5.1.2. 28 DAY COMPRESSIVE STRENGTH - 4000 PSI
 - 5.1.3. MAX. W/C RATIO - 0.45
 - 5.1.4. MAX. FREE WATER - 18% BY VOLUME
 - 5.1.5. MAX. AGGREGATE SHALL CONFORM TO ASTM C33
 - 5.2. WALLS AND FOOTINGS:
 - 5.2.1. MAX. W/C RATIO - 0.45
 - 5.2.2. MAX. FREE WATER - 18% BY VOLUME
 - 5.2.3. MAX. AGGREGATE SHALL CONFORM TO ASTM C33
 - 5.3. JOINTS:
 - 5.3.1. REINFORCE JOINTS WHICH ARE CRITICAL TO THE STRUCTURE SHALL BE CONCRETE WITH A MINIMUM OF 40% MORE PORTLAND CEMENT CONTENT THAN THE SURROUNDING CONCRETE
 - 5.3.2. HIGH BINDER WHITE REDUCES SLIPPER
 - 5.3.3. ACCELERATORS - EQUAL TO MARKET BY W.R. GRACE & CO., ASTM C-404 TYPE C OR E
 - 5.3.4. GRACE & CO., ASTM C-404 TYPE C OR E
 - 5.3.5. GRACE & CO., ASTM C-404 TYPE C OR E
 - 5.3.6. GRACE & CO., ASTM C-404 TYPE C OR E

STRUCTURAL STEEL NOTES

- 6.3 CHANGES
CONTRACTOR SHALL PROTECT EXISTING STRUCTURE FROM DAMAGE OR DISRUPTION OF SERVICE THROUGHOUT.
- 6.4 JOINTS:
 - 6.4.1. CONNECTIONS SHALL BE MADE ACCORDING TO THE PROVISIONS OF THE AISC CONNECTION MANUAL
 - 6.4.2. CONNECTIONS SHALL BE MADE ACCORDING TO THE PROVISIONS OF THE AISC CONNECTION MANUAL
 - 6.4.3. CONNECTIONS SHALL BE MADE ACCORDING TO THE PROVISIONS OF THE AISC CONNECTION MANUAL
 - 6.4.4. CONNECTIONS SHALL BE MADE ACCORDING TO THE PROVISIONS OF THE AISC CONNECTION MANUAL
- 6.5 CONCRETE WORK:
 - 6.5.1. REINFORCING CONCRETE SHALL BE WELDED AND PLACED IN ACCORDANCE WITH THE PROVISIONS OF THE AISC CONNECTION MANUAL
 - 6.5.2. ALL CONCRETE SHALL BE WELDED WITH THREE IS A MINIMUM DISTRIBUTION OF THE MATERIALS CONTAINED THEREIN AFTER THE WATER HAS BEEN ADDED TO THE MIX IN THE TRUCK. IN THE TRUCK MORE THAN 30 MINUTES AFTER THE WATER HAS BEEN ADDED.
 - 6.5.3. MAXIMUM W/C RATIO SHALL BE 0.45
 - 6.5.4. MAXIMUM FREE WATER SHALL BE 18% BY VOLUME
- 6.6 CONCRETE PLACEMENT:
 - 6.6.1. REINFORCING CONCRETE SHALL BE PLACED IN ACCORDANCE WITH THE PROVISIONS OF THE AISC CONNECTION MANUAL
 - 6.6.2. REINFORCING CONCRETE SHALL BE PLACED IN ACCORDANCE WITH THE PROVISIONS OF THE AISC CONNECTION MANUAL
 - 6.6.3. REINFORCING CONCRETE SHALL BE PLACED IN ACCORDANCE WITH THE PROVISIONS OF THE AISC CONNECTION MANUAL
 - 6.6.4. REINFORCING CONCRETE SHALL BE PLACED IN ACCORDANCE WITH THE PROVISIONS OF THE AISC CONNECTION MANUAL
- 6.7 CONCRETE CURING:
 - 6.7.1. SLABS - USE ACCELERATED CURE FOR SLABS
 - 6.7.2. WALLS AND FOOTINGS - USE ACCELERATED CURE FOR WALLS AND FOOTINGS

GENERAL STRUCTURAL NOTES

- 1.00 STANDARD SPECIFICATIONS
A. FABRICATION, ERECTION, AND MAINTENANCE IN ACCORDANCE WITH THE PROVISIONS OF THE AISC CONNECTION MANUAL
- 1.01 PRODUCT HANDLING
A. STORE STRUCTURAL STEEL MEMBERS AT THE PROJECT SITE ABOVE GROUND ON PLATFORMS, SKIDS, OR OTHER SUPPORTS.
- 1.02 FABRICATION:
 - 1.02.1. FABRICATION:
 - A. FABRICATE STRUCTURAL STEEL IN ACCORDANCE WITH THE PROVISIONS OF THE AISC CONNECTION MANUAL
 - A. FABRICATE STRUCTURAL STEEL IN ACCORDANCE WITH THE PROVISIONS OF THE AISC CONNECTION MANUAL
 - 1.02.2. FABRICATION:
 - A. FABRICATE STRUCTURAL STEEL IN ACCORDANCE WITH THE PROVISIONS OF THE AISC CONNECTION MANUAL
 - A. FABRICATE STRUCTURAL STEEL IN ACCORDANCE WITH THE PROVISIONS OF THE AISC CONNECTION MANUAL

GENERAL STRUCTURAL NOTES

- 2.01 MATERIALS:
 - A. STRUCTURAL STEEL BEAMS, CHANNELS, AND SHAPES
 - B. ASTM A572, GRADE 50 OR A572, GRADE 50
 - C. STRUCTURAL TUBES AND COILINGS - ASTM A513, GRADE B
 - D. STRUCTURAL PLATE - ASTM A572, GRADE 50
 - E. HIGH STRENGTH BOLTS - ASTM A325, TYPE 1, OR 2
 - F. ANCHOR BOLTS - ASTM A490, GRADE 4
 - G. WELDING SHALL BE PERFORMED WITH E6010 OR E6011
- 2.02 FABRICATION:
 - A. FABRICATE STRUCTURAL STEEL IN ACCORDANCE WITH THE PROVISIONS OF THE AISC CONNECTION MANUAL
 - A. FABRICATE STRUCTURAL STEEL IN ACCORDANCE WITH THE PROVISIONS OF THE AISC CONNECTION MANUAL

MASONRY NOTES CONTINUED:

- 3.00 DECORATION:
 - 3.00.1. DECORATION:
 - A. FABRICATE STRUCTURAL STEEL IN ACCORDANCE WITH THE PROVISIONS OF THE AISC CONNECTION MANUAL
 - A. FABRICATE STRUCTURAL STEEL IN ACCORDANCE WITH THE PROVISIONS OF THE AISC CONNECTION MANUAL
- 3.01 FABRICATION:
 - A. FABRICATE STRUCTURAL STEEL IN ACCORDANCE WITH THE PROVISIONS OF THE AISC CONNECTION MANUAL
 - A. FABRICATE STRUCTURAL STEEL IN ACCORDANCE WITH THE PROVISIONS OF THE AISC CONNECTION MANUAL

MASONRY NOTES

- 3.02 CONSTRUCTION TOLERANCES:
 - 3.02.1. CONSTRUCTION TOLERANCES:
 - A. FABRICATE STRUCTURAL STEEL IN ACCORDANCE WITH THE PROVISIONS OF THE AISC CONNECTION MANUAL
 - A. FABRICATE STRUCTURAL STEEL IN ACCORDANCE WITH THE PROVISIONS OF THE AISC CONNECTION MANUAL
- 3.03 CONSTRUCTION TOLERANCES:
 - 3.03.1. CONSTRUCTION TOLERANCES:
 - A. FABRICATE STRUCTURAL STEEL IN ACCORDANCE WITH THE PROVISIONS OF THE AISC CONNECTION MANUAL
 - A. FABRICATE STRUCTURAL STEEL IN ACCORDANCE WITH THE PROVISIONS OF THE AISC CONNECTION MANUAL

STEEL JOIST NOTES

- 1. MATERIALS AND FABRICATION:
 - A. CONFORM TO THE STANDARD OF THE STEEL JOIST INSTITUTE
 - A. CONFORM TO THE STANDARD OF THE STEEL JOIST INSTITUTE
- 2. REVISIONS:
 - 2.1. REVISIONS:
 - A. FABRICATE STRUCTURAL STEEL IN ACCORDANCE WITH THE PROVISIONS OF THE AISC CONNECTION MANUAL
 - A. FABRICATE STRUCTURAL STEEL IN ACCORDANCE WITH THE PROVISIONS OF THE AISC CONNECTION MANUAL

METAL DECK NOTES

- 1. ALL WELDING SHALL BE WITH F80T ELECTRODES
- 2. ALL WELDING SHALL BE WITH F80T ELECTRODES
- 3. ALL WELDING SHALL BE WITH F80T ELECTRODES
- 4. ALL WELDING SHALL BE WITH F80T ELECTRODES

LIGHT GAGE STEEL FRAMING

- 1. ALL STEEL STUDS, JOISTS AND ACCESSORIES SHALL BE MADE ACCORDING TO THE PROVISIONS OF THE AISC CONNECTION MANUAL
- 2. ALL STEEL STUDS, JOISTS AND ACCESSORIES SHALL BE MADE ACCORDING TO THE PROVISIONS OF THE AISC CONNECTION MANUAL
- 3. ALL STEEL STUDS, JOISTS AND ACCESSORIES SHALL BE MADE ACCORDING TO THE PROVISIONS OF THE AISC CONNECTION MANUAL
- 4. ALL STEEL STUDS, JOISTS AND ACCESSORIES SHALL BE MADE ACCORDING TO THE PROVISIONS OF THE AISC CONNECTION MANUAL

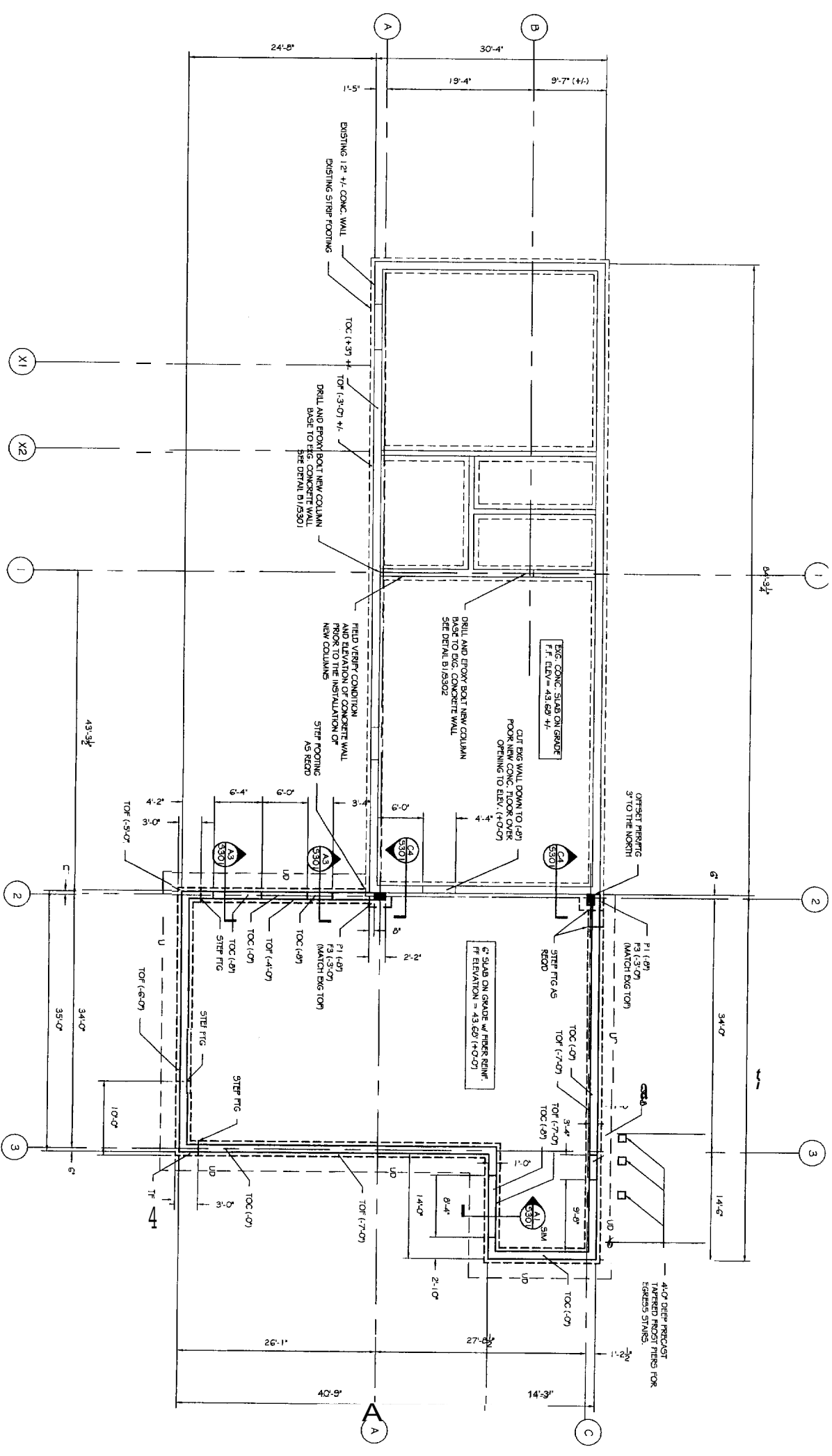
ASSOCIATED DESIGN PARTNERS INC.
80 Leighton Road
Falmouth, Maine 04105
Office: (207) 878-1751
Fax: (207) 878-1788
E-Mail: adp@adpengineering.com

PROJECT: **SID HARVEY ADDITION**
160 ST. JOHN ST
FOR: HARVEY ASSOCIATES

SHEET TITLE: **NOTES AND SPECIFICATIONS ISSUED FOR CONSTRUCTION**

REVISIONS		DATE
No.	DESCRIPTION	DATE

DATE: 08-07-2004
SCALE: 3/4" = 1'-0"
DESIGN BY: ASW
DRAWN BY: NBR
FILE #19101.331116
PROJECT NUMBER: **04100**
SHEET NO: **S303**



FOUNDATION SCHEDULE

MARK	SIZE	REINFORCING
F3	3'-0"x3'-0"x1'-0"	4 #4'S E.W.

PIER SCHEDULE

TYPE	SIZE	VERT	TIES	SHAPE
P1	12x16"	4-#3'S	#4'S AT 12" O.C.	[]

- NOTES:
1. F.F. ELEVATION = (43.60') = (+0'-0") U.N. +/- FROM THIS ELEVATION.
 2. TOF INDICATES TOP OF FOOTING
 3. TOC INDICATES TOP OF CONCRETE
 4. —ud— INDICATES 4" UNDER DRAIN (SHOWN SCHEMATICALLY) COORDINATE WITH SITE PLAN.
 5. PIERS AND FOOTINGS ARE CENTERED ON COLUMN GRIDS UNLESS OTHERWISE NOTED.
 6. PRE-CAST TAPERED FROST PIERS BY SUPERROCK CONCRETE (784-91441), GAGNE AND SONS (800-339-3313), OR APPROVED EQUAL.

A1 PROPOSED ROOF FRAMING PLAN
 S101 SCALE: 1/8" = 1'-0"

REVISIONS		
No.	BY	DATE

PROJECT: **SID HARVEY ADDITION**
 160 ST. JOHN ST
 FOR HARVEY ASSOCIATES

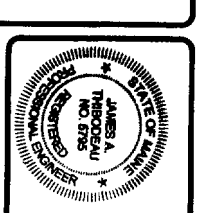
SHEET TITLE: **FOUNDATION PLAN**
 ISSUED FOR CONSTRUCTION

THIS DRAWING, DESIGN AND CALCULATIONS ARE THE PROPERTY OF ASSOCIATED DESIGN PARTNERS, INC. AND SHALL REMAIN THE PROPERTY OF THIS COMPANY UNLESS OTHERWISE INDICATED BY A WRITTEN CONSENT IN WRITING.

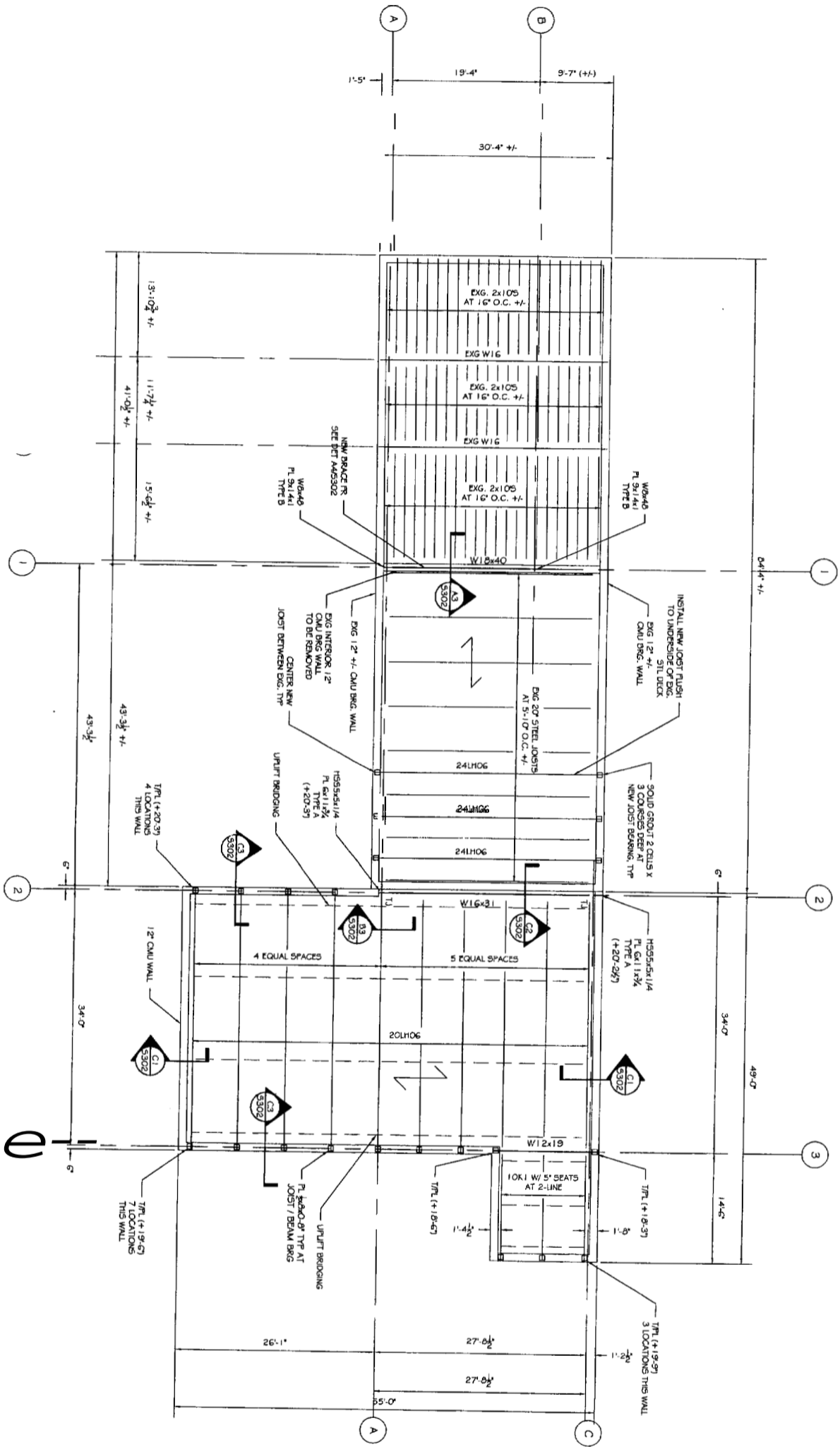
ASSOCIATED DESIGN PARTNERS INC.

90 Leighton Road
 Falmouth, Maine 04105

Office: (207) 878-1751
 Fax: (207) 878-1788
 E-Mail: odp@adpengineering.com



DATE: 09-07-2004
 SCALE: 1/8" = 1'-0"
 DESIGN BY: ASW
 DRAWN BY: NNR
 FILE # 04100.S101.DWG
 PROJECT NUMBER: **04100**
 SHEET NO: **S101**



- NOTES:
1. TITL INDICATED (+X'-Y') REFERENCED FROM FIN. FLOOR ELEVATION 43.69' = (+0'-0')
 2. INDICATES 9MM 1/2" 22GA TYPE B METAL ROOF DECK. SEE NOTES ON 5859 FOR FINISHING.
 3. --- INDICATES 1/2" 1/2" HORIZONTAL ANGLE JOIST BRACING.
 4. T.I. INDICATES BOULTED TIE JOIST.

A1 PROPOSED ROOF FRAMING PLAN
 SCALE: 1/8" = 1'-0"

No.	BY	DESCRIPTION	DATE

PROJECT: **SID HARVEY ADDITION**
 160 ST. JOHN ST
 FOR: HARVEY ASSOCIATES

SHEET TIT F

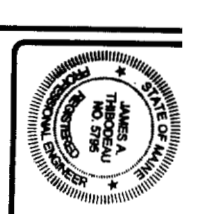
ROOF FRAMING PLAN
 ISSUED FOR CONSTRUCTION

THIS DRAWING, DESIGN AND SPECIFICATIONS ARE THE PROPERTY OF ASSOCIATED DESIGN PARTNERS INC. NO PART OF THIS DOCUMENT MAY BE REPRODUCED OR TRANSMITTED IN ANY FORM OR BY ANY MEANS, ELECTRONIC OR MECHANICAL, WITHOUT PERMISSION IN WRITING FROM ASSOCIATED DESIGN PARTNERS INC.

ASSOCIATED DESIGN PARTNERS INC.

ou Leight
 B01mawhjoMabaxD4105

Office: (207) 878-1751
 Fax: 20 878-1788
 E-Mail: adp0dpengeenring.com



DATE: 09-07-2004
 SCALE: 1/8" = 1'-0"
 DESIGN BY: ASW
 DRAWN BY: NBR
 FILE # 04100.SVD.LWG
 PROJECT NUMBER:
04100
 SHEET NO:
S201