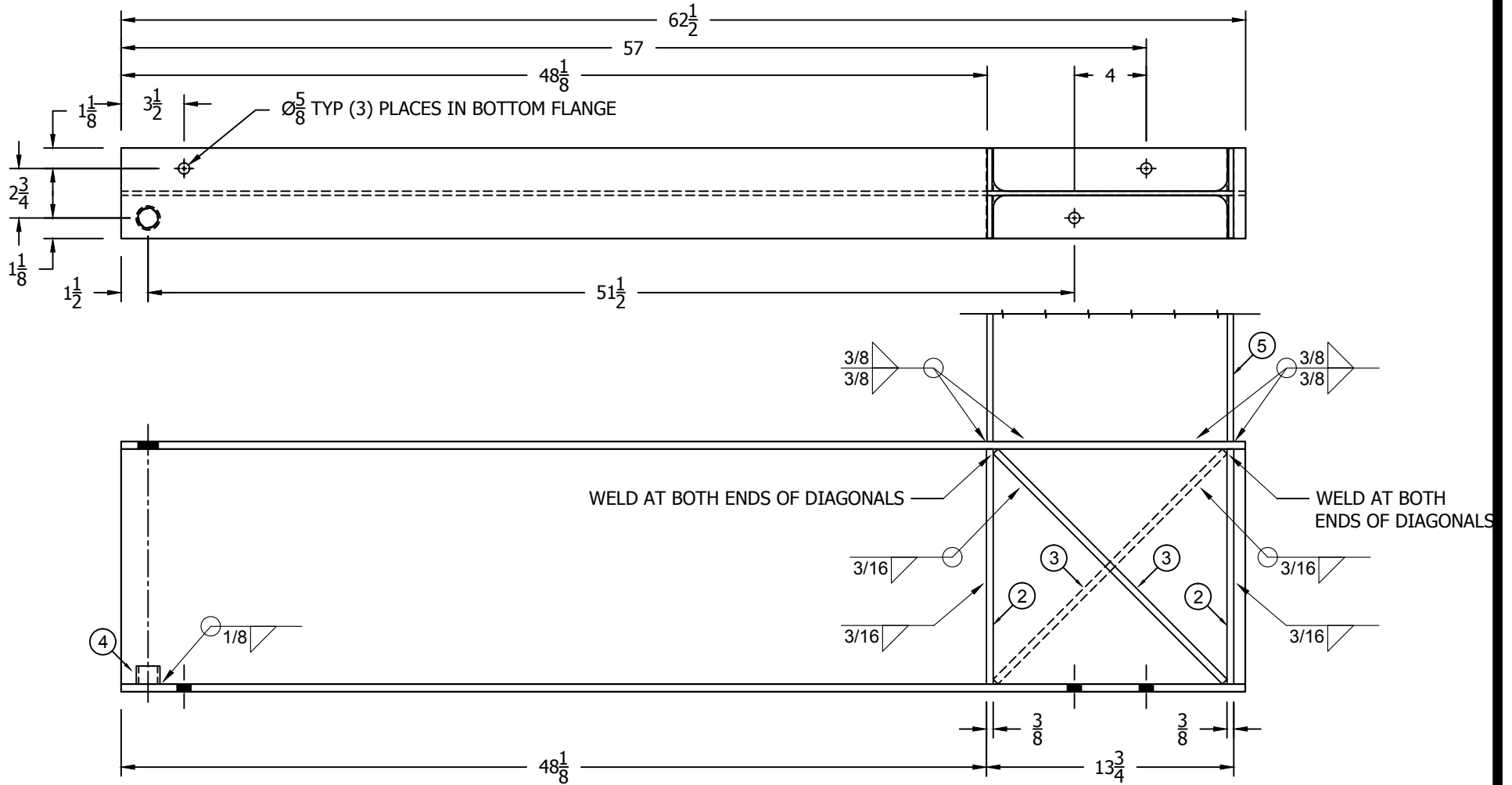


BILL OF MATERIALS

ITEM	QTY.	DESCRIPTION	DRAWING NO	WT. #
1	1	W14 X 26# @ 62-1/2" (50 KSI)		139.48
2	4	PLT: 3/8" X 2-3/8" @ 13" LG (50 KSI)	SF200630	3.38
3	2	PLT: 3/8" X 2-3/8" @ 18" LG. (50 KSI)		4.68
4	1	1" DIA. SCH. 40 PIPE @ 1" LG		.14
5	1	W14 X 22# @ 228" (50 KSI)	X-Y-TOWER-W14X22X228	536.98
TOTAL WEIGHT				699.48



REV. DATE BY DESCRIPTION 10/18/2016 4:18:56 PM REVISION INFORMATION				STANDARD TOLERANCES FEET +/- 1/8" INCHES +/- 1/32" DECIMALS +/- .001 ANGLES +/- 1.0°		FOR: 1118 W. SPRING STREET MONROE, GA 30655 DESCRIPTION: W14 X 22# X 48" SINGLE SIDED WELDED CANTILEVER BASE SCALE: 1-1/2" = 1' DRAWN BY: MDH DATE: 6/24/16 CHK BY:		FILE NAME: X-Y-WELDED-BASE-W14X26X48.dwg DRAWING NO. X-Y-BASE-W14X26X48 REV. #	
--	--	--	--	--	--	---	--	---	--