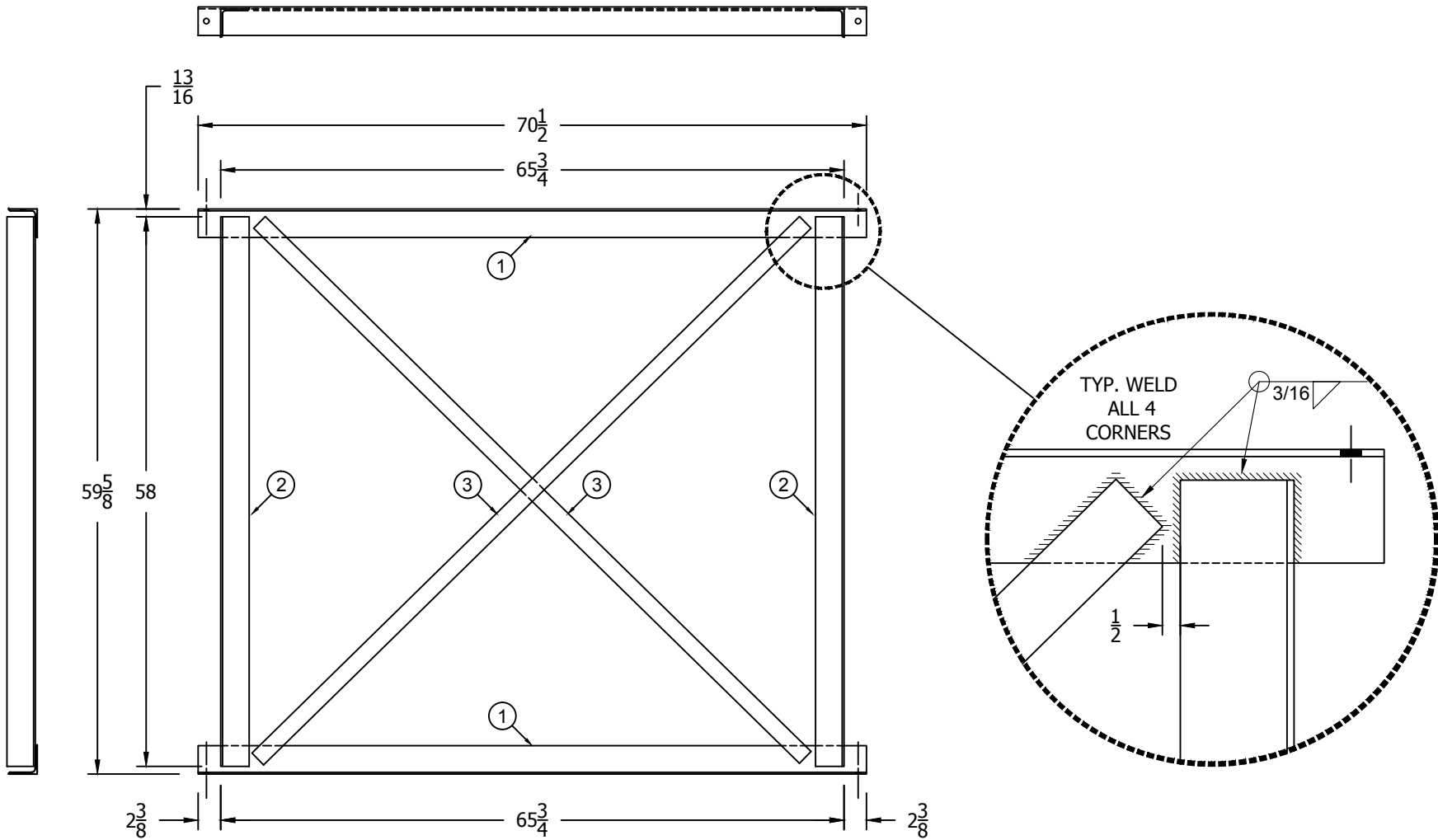


### BILL OF MATERIALS

ITEM	QTY.	DESCRIPTION	DRAWING NO	WT. #
1	2	L3 X 3 X 3/16" @ 70-1/2" LG.	X-Y-HORIZONTAL X 72-HD	22.45
2	2	L3 X 3 X 3/16" @ 58" LG.		18.47
3	2	FLAT BAR: 3/16" X 1-3/4" @ 80-7/8" LG		7.76
TOTAL WEIGHT				97.36



FOR:	FERGUSON	DESCRIPTION:	WELDED "X" BRACE FOR CANTILEVER TOWERS
SCALE:	1" = 1'	FILE NAME:	X-Y-WELDED X-BRACE-72-SPL.dwg
DRAWN BY:	MDH	DRAWING NO.	
DATE:	10/12/16		
CHK BY:			

REV.	DATE	BY	DESCRIPTION
			REVISION INFORMATION

The information contained in this drawing is considered proprietary to Elite Storage Solutions, LLC. Disclosure of the drawing to any other party without prior written permission of Elite Storage Solutions, LLC. The inclusion of non-proprietary information (e.g. Building codes or other industry standards) shall not be considered as cause for disavowing this statement. The sole purpose of this drawing is informational for the customer.

STANDARD TOLERANCES		
FEET	+/-	1/8"
INCHES	+/-	1/32"
DECIMALS	+/-	.001
ANGLES	+/-	1.0°

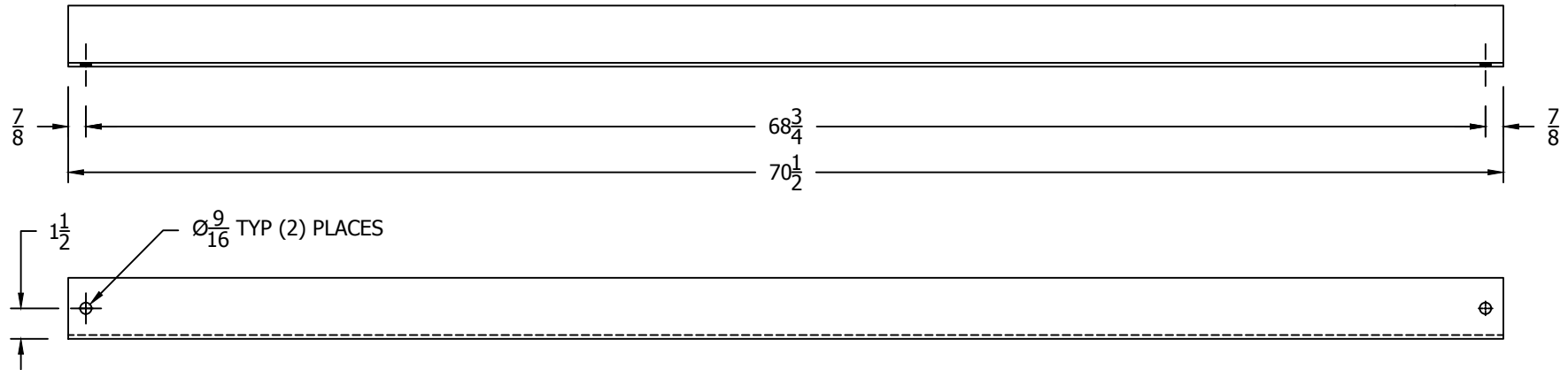


1118 W. SPRING STREET  
MONROE, GA 30655

REV. #	

## BILL OF MATERIALS

ITEM	QTY.	DESCRIPTION	DRAWING NO	WT. #
1	2	L3 X 3 X 3/16" @ 70-1/2" LG.	X-Y-HORIZONTAL X 72-HD	22.45



FOR: FERGUSON	DESCRIPTION: WELDED "X" BRACE HORIZONTAL MEMBER FOR CANTILEVER TOWERS
---------------	---

The information contained in this drawing is considered proprietary to Elite Storage Solutions, LLC. Permission of the drawing is not a license to distribute this information to any other party without prior written permission of Elite Storage Solutions, LLC. The inclusion of non-proprietary information (ie. Building components or other hardware) shall not be considered as cause for disallowing this statement. The sole purpose of this drawing is informational for the customer.

STANDARD TOLERANCES		
FEET	+/-	1/8"
INCHES	+/-	1/32"
DECIMALS	+/-	.001
ANGLES	+/-	1.0°



1118 W. SPRING STREET MONROE, GA 30655

SCALE: 1" = 1'	FILE NAME: X-Y-WELDED X-BRACE-72-SPL.dwg
DRAWN BY: MDH	DRAWING NO.
DATE: 10/12/16	X-Y-HORIZONTAL X 72-HD
CHK BY:	REV. #

REV.	DATE	BY	DESCRIPTION
	10/18/2016 4:47:58 PM		REVISION INFORMATION