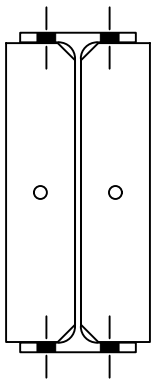
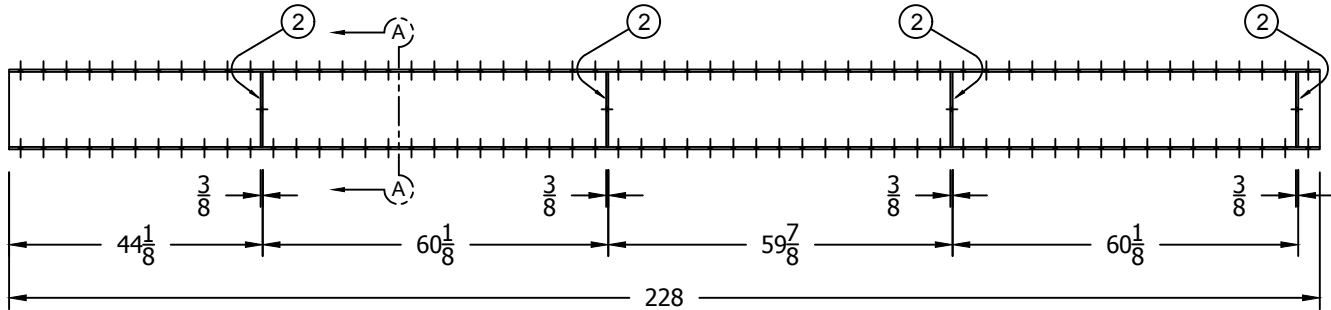
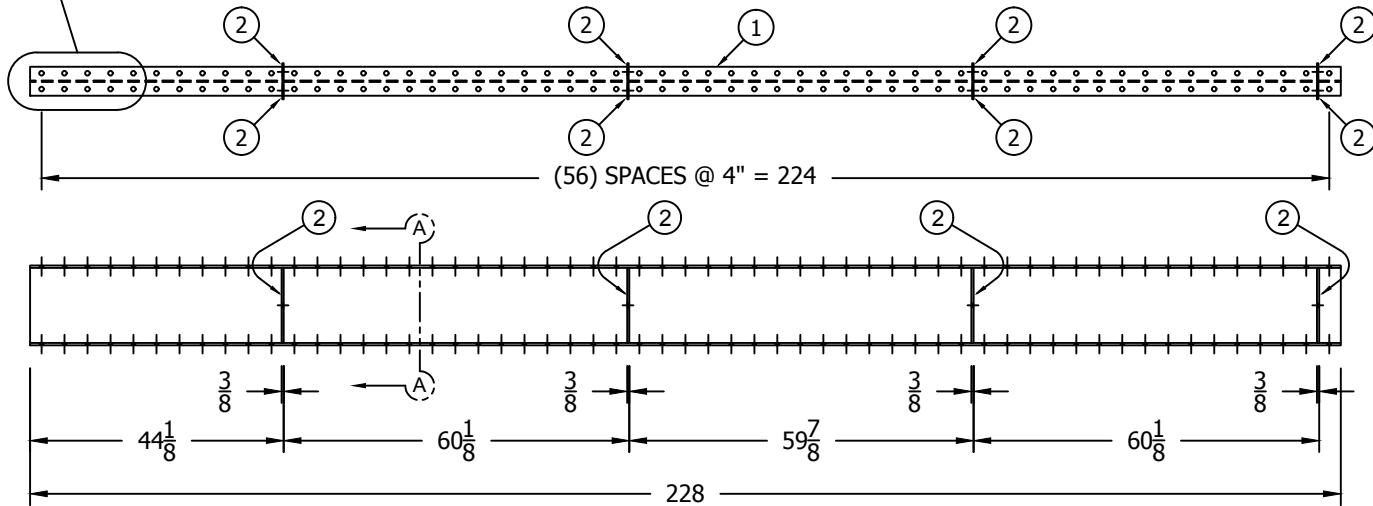
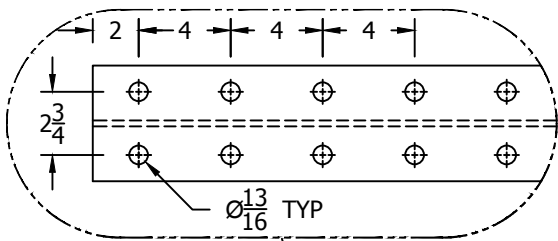


BILL OF MATERIALS

ITEM	QTY.	DESCRIPTION	DRAWING NO	WT. #
1	1	W14 X 26# @ 228" LG.		502.82
2	8	PLT: 1/2" X 3" @ 13" LG.	SF200629	4.27
TOTAL WEIGHT				536.98



SECTION A-A

The information contained in this drawing is considered proprietary to Elite Storage Solutions, LLC. Permission of the drawing is not a license to distribute this information to any other party without prior written permission of Elite Storage Solutions, LLC. The inclusion of non-proprietary information (ie. Building components or other building's) shall not be considered as cause for disallowing this statement. The sole purpose of this drawing is informational for the customer.

STANDARD TOLERANCES

FEET	+/-	1/8"
INCHES	+/-	1/32"
DECIMALS	+/-	.001
ANGLES	+/-	1.0°



FOR:	DESCRIPTION:	W14 X 26# CANTILEVER TOWER 228" TALL	
SCALE: 3/8" = 1'	FILE NAME:	X-Y-TOWER-W14X26X228.dwg	
DRAWN BY: MDH	DRAWING NO.		
DATE: 10/6/14		X-Y-TOWER-W14X26X228	
CHK BY:			REV. #

REV.	DATE	BY	DESCRIPTION

10/14/2016 10:43:15 AM

REVISION INFORMATION

1118 W. SPRING STREET MONROE, GA 30655