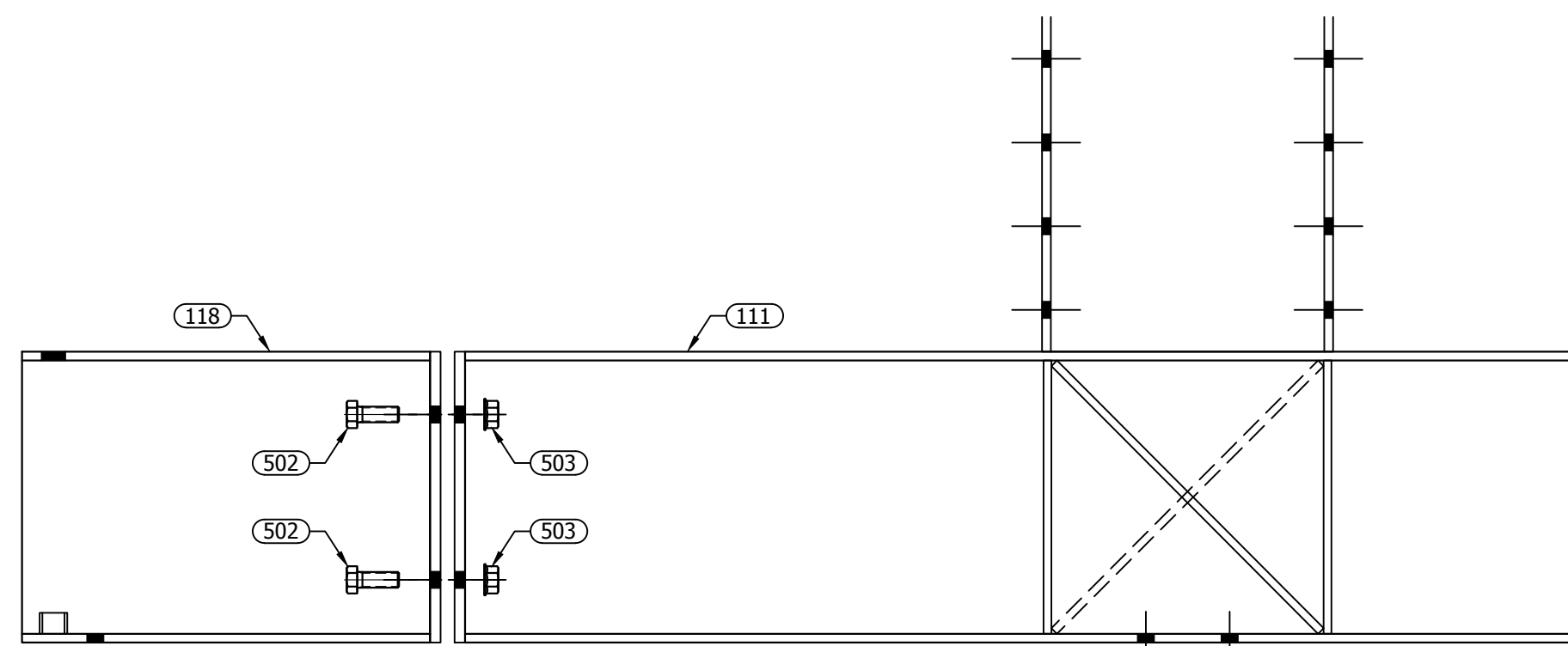
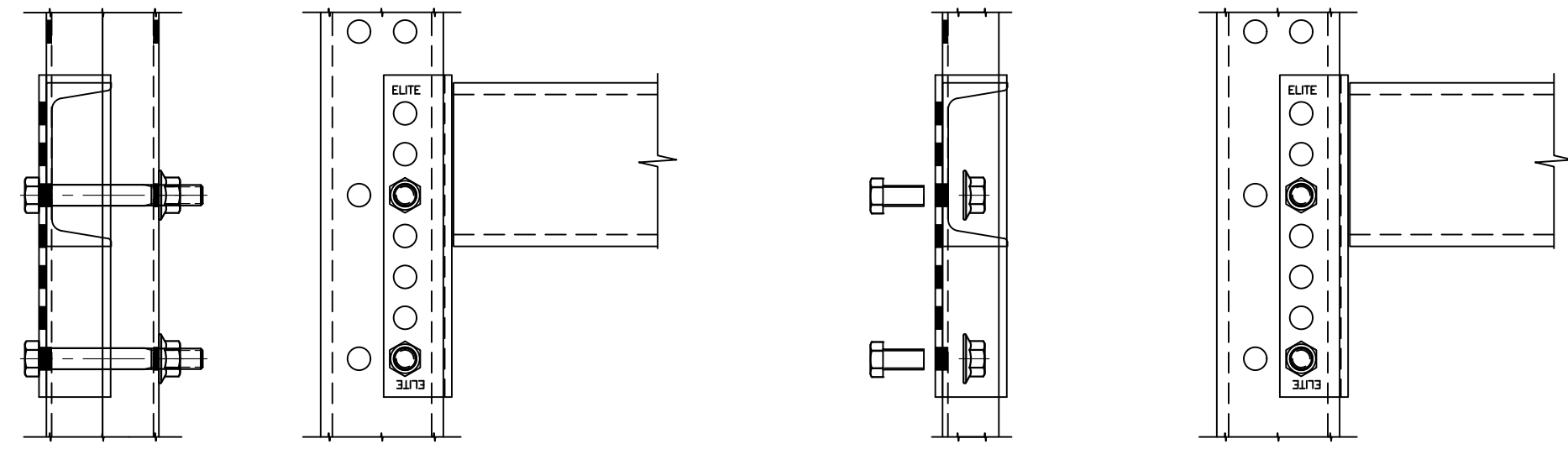
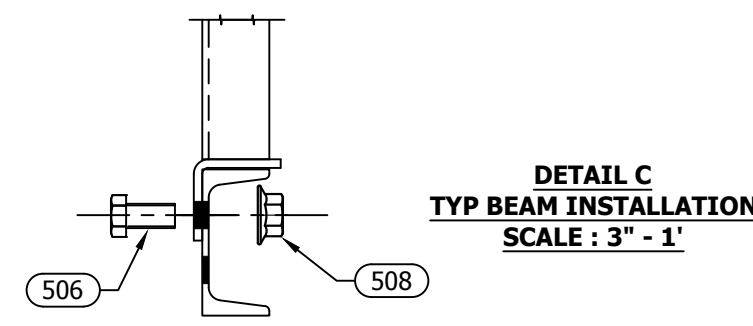
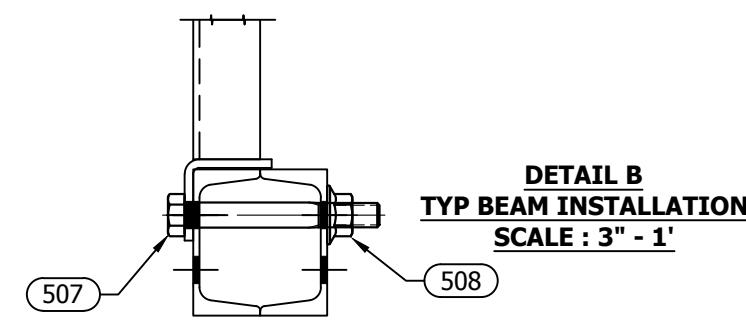
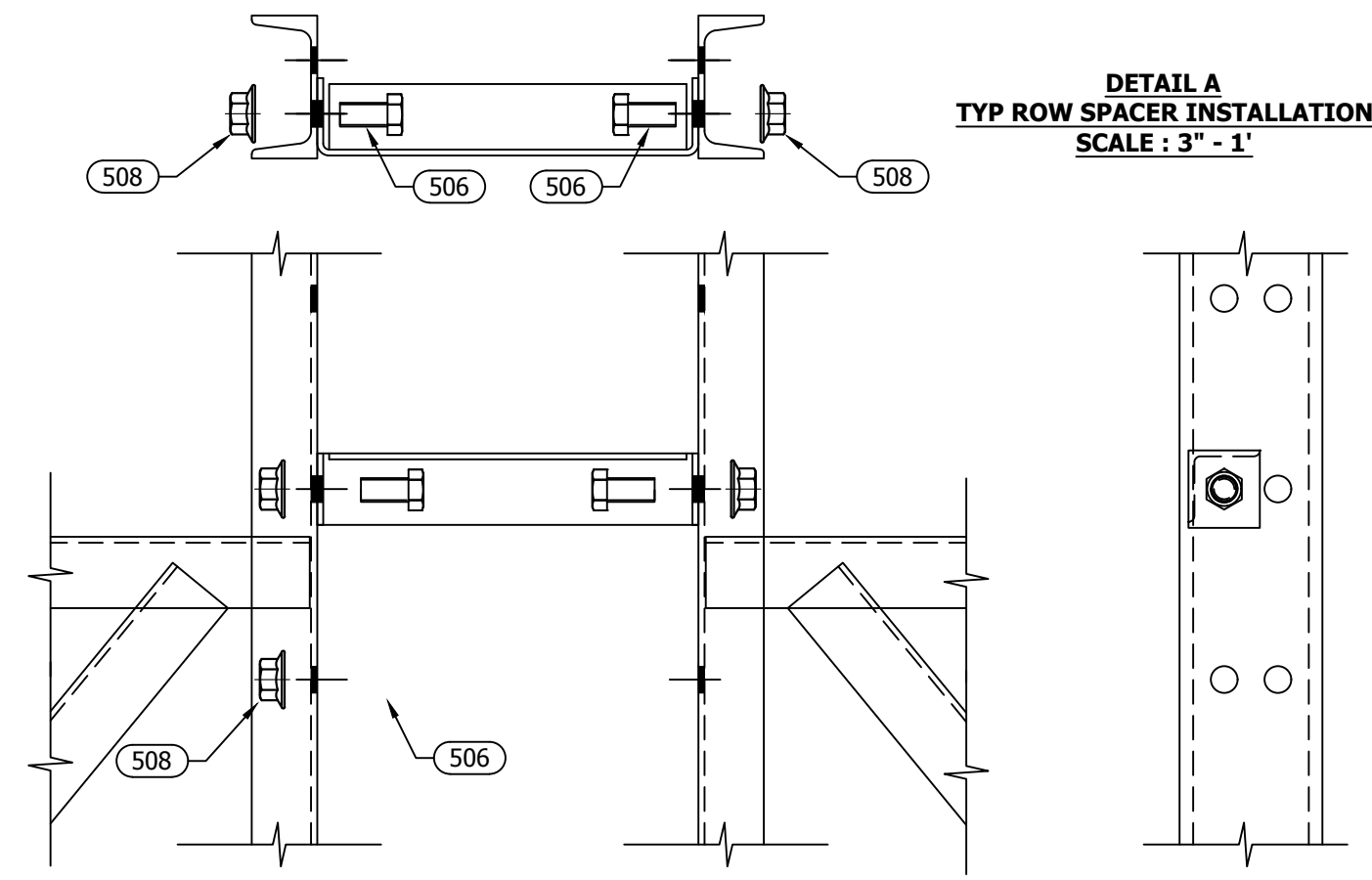
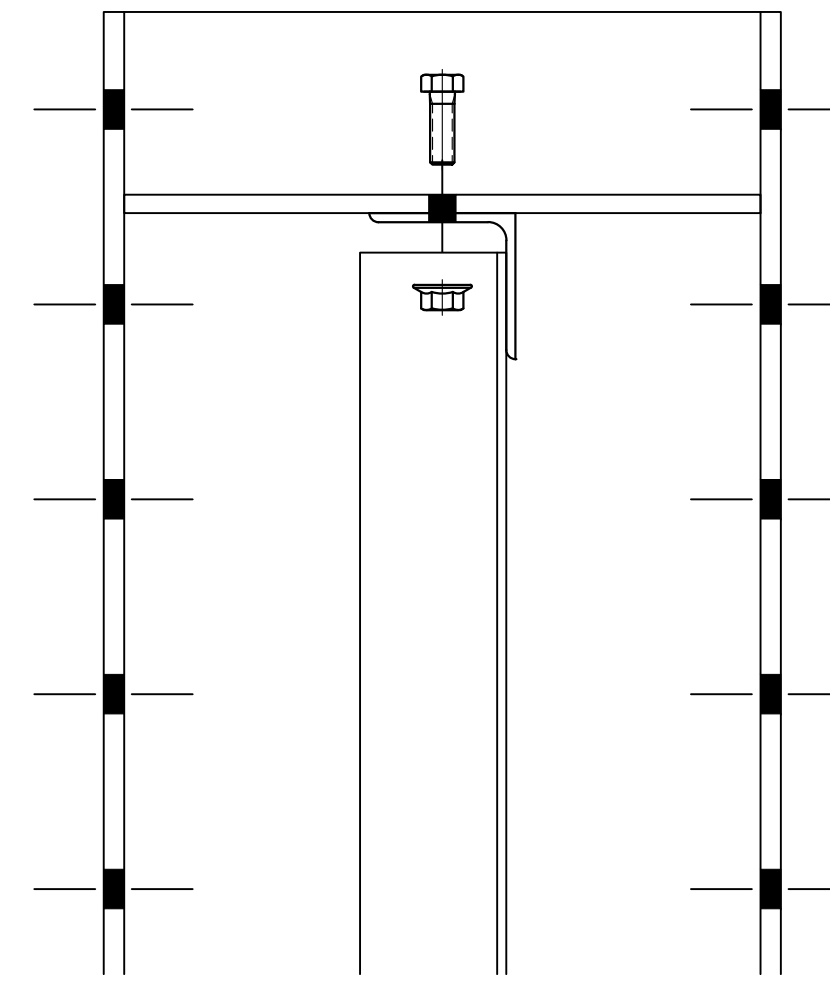
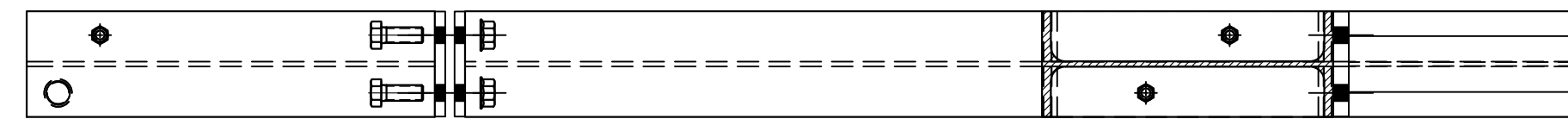


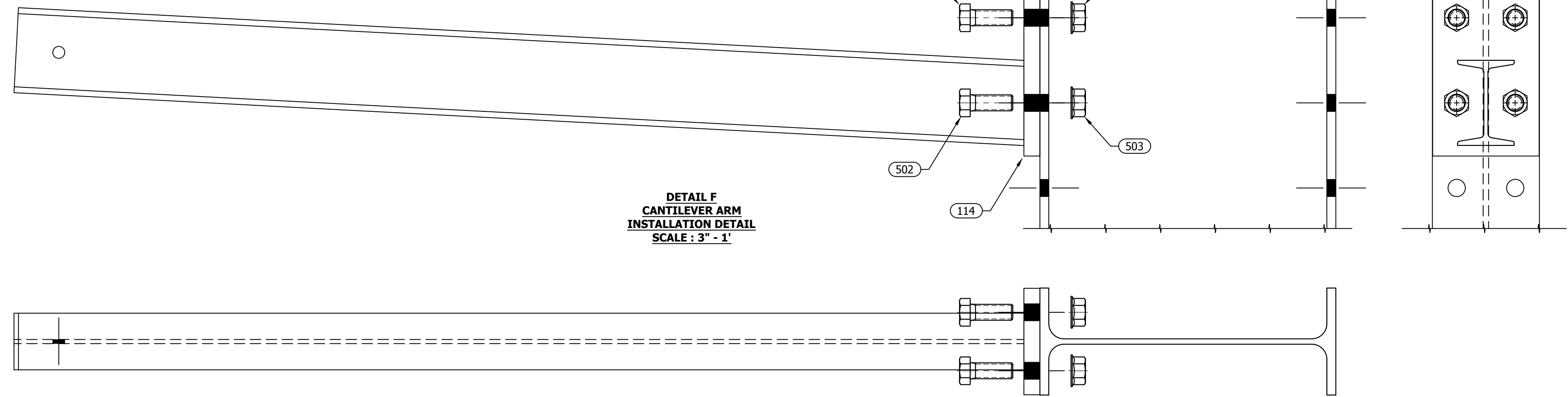
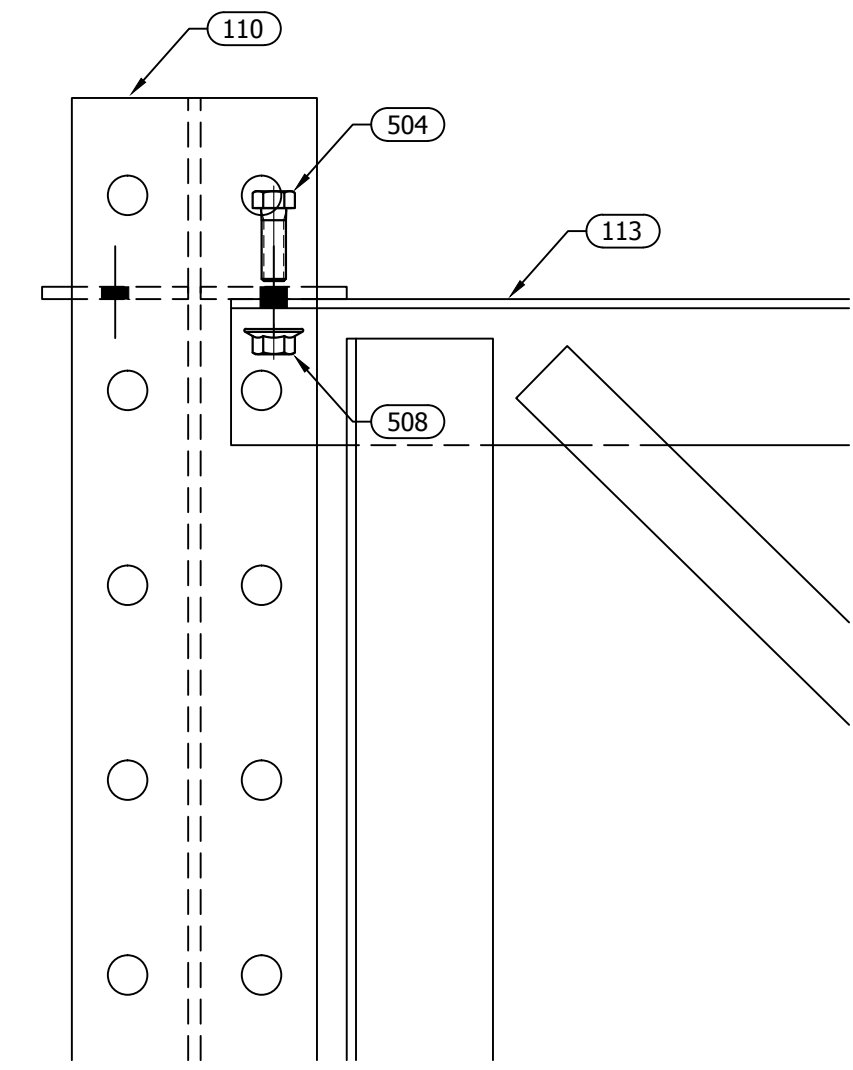
**DETAIL A**  
TYP ROW SPACER INSTALLATION  
SCALE:  $\frac{3}{4}$ " = 1'



**DETAIL D**  
DOUBLE SIDED CANTILEVER  
BASE EXTENSION  
SCALE:  $1 \frac{1}{2}$ " = 1'



**DETAIL E**  
CANTILEVER "X" BRACE  
INSTALLATION DETAIL  
SCALE: 3" = 1'



**DETAIL F**  
CANTILEVER ARM  
INSTALLATION DETAIL  
SCALE: 3" = 1'

**USE & MAINTENANCE:**  
 1.) INSTRUCT ALL HANDLING AND EQUIPMENT OPERATORS IN THE CORRECT USE OF THE HANDLING EQUIPMENT.  
 2.) CONDUCT REGULAR STORAGE RACK INSPECTIONS FOR:  
 A.) CORRECT APPLICATION AND USE.  
 B.) LOAD WEIGHT, SIZE, AND STACKING WITHIN PERMISSIBLE SAFE LIMITS.  
 C.) INCIDENTAL DAMAGE TO OR DISLODGEEMENT OF STORAGE RACK COMPONENTS.

**CONFIGURATION CHANGES:**  
 1.) THIS SET OF ELITE DRAWINGS SHOWS ALL OF THE PERMISSIBLE CONFIGURATIONS OF THESE COMPONENTS. OTHER CONFIGURATIONS MAY BE PERMITTED UPON REVIEW BY A ELITE ENGINEERING REPRESENTATIVE AND REVISION OF THESE DRAWINGS.  
 2.) ARRANGEMENT OF THESE COMPONENTS, OTHER THAN SHOWN, IS NOT PERMITTED. ARRANGEMENT OF THE COMPONENTS, OTHER THAN AS SHOWN, WILL HAVE AN EFFECT UPON THE SAFE CARRYING CAPACITY OF ONE OR ALL OF THE COMPONENTS.

The information contained in this drawing is considered proprietary to Elite Storage Solutions, LLC. Permission of this drawing is not a license to distribute the information to any other party without prior written permission of Elite Storage Solutions, LLC. The inclusion of any proprietary information (including parameters or safety factors) shall not be construed as a license for duplicating the information. The sole purpose of this drawing is informational for the customer.

FOR: FERGUSON ENTERPRISES 172 SAINT JOHN STREET PORTLAND, ME 04102		DESCRIPTION: DETAILS	
SCALE:	NOTED	FILE NAME:	JN42946-LO1
DRAWN BY:	MDH	DRAWING NO.:	JN42946-LO1
DATE:	10/20/16	SHEET NO.:	D010
CHK BY:			



1118 W. SPRING STREET MONROE, GA 30655

REV.	DATE	BY	DESCRIPTION
REVISION INFORMATION			