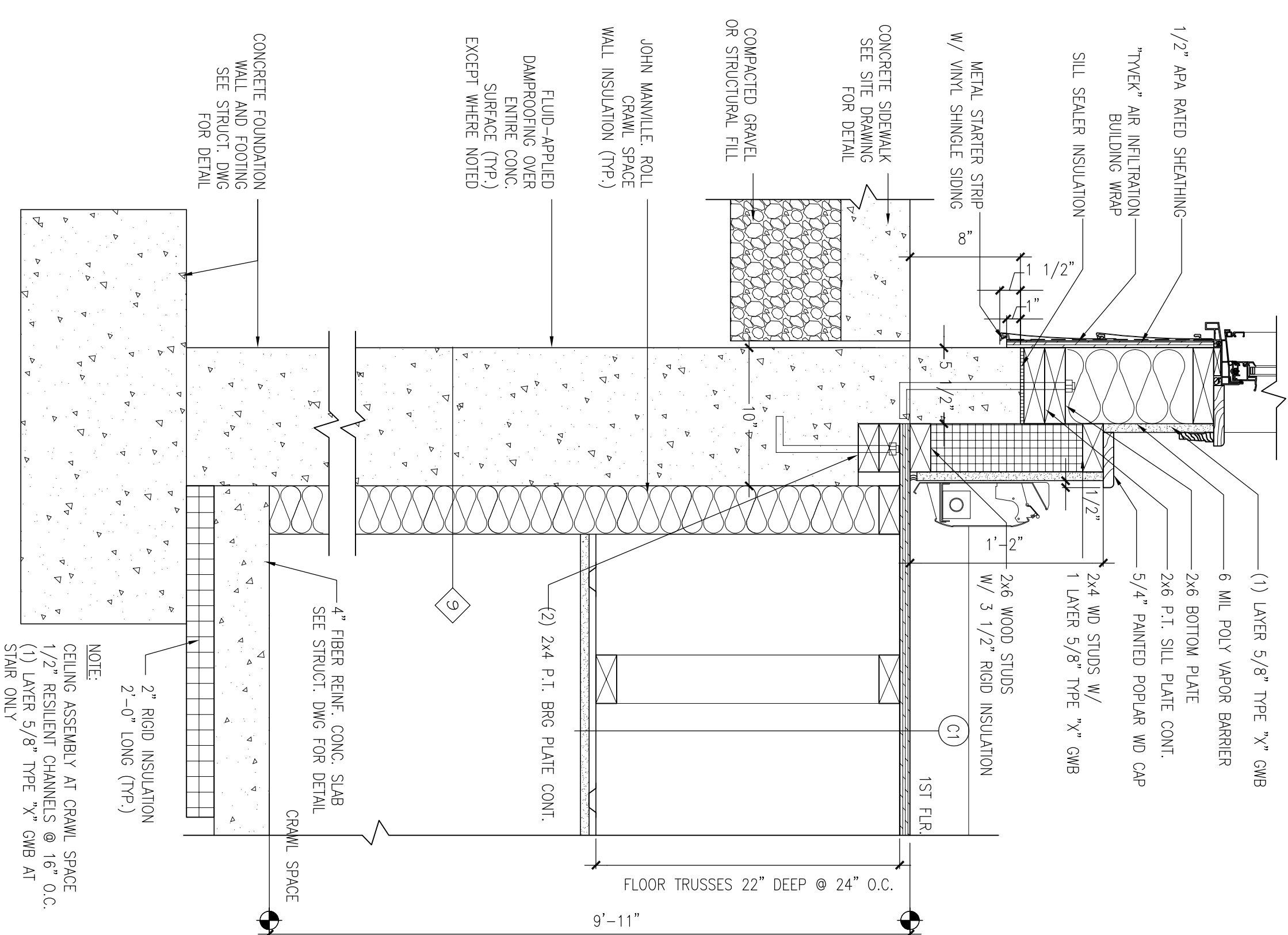
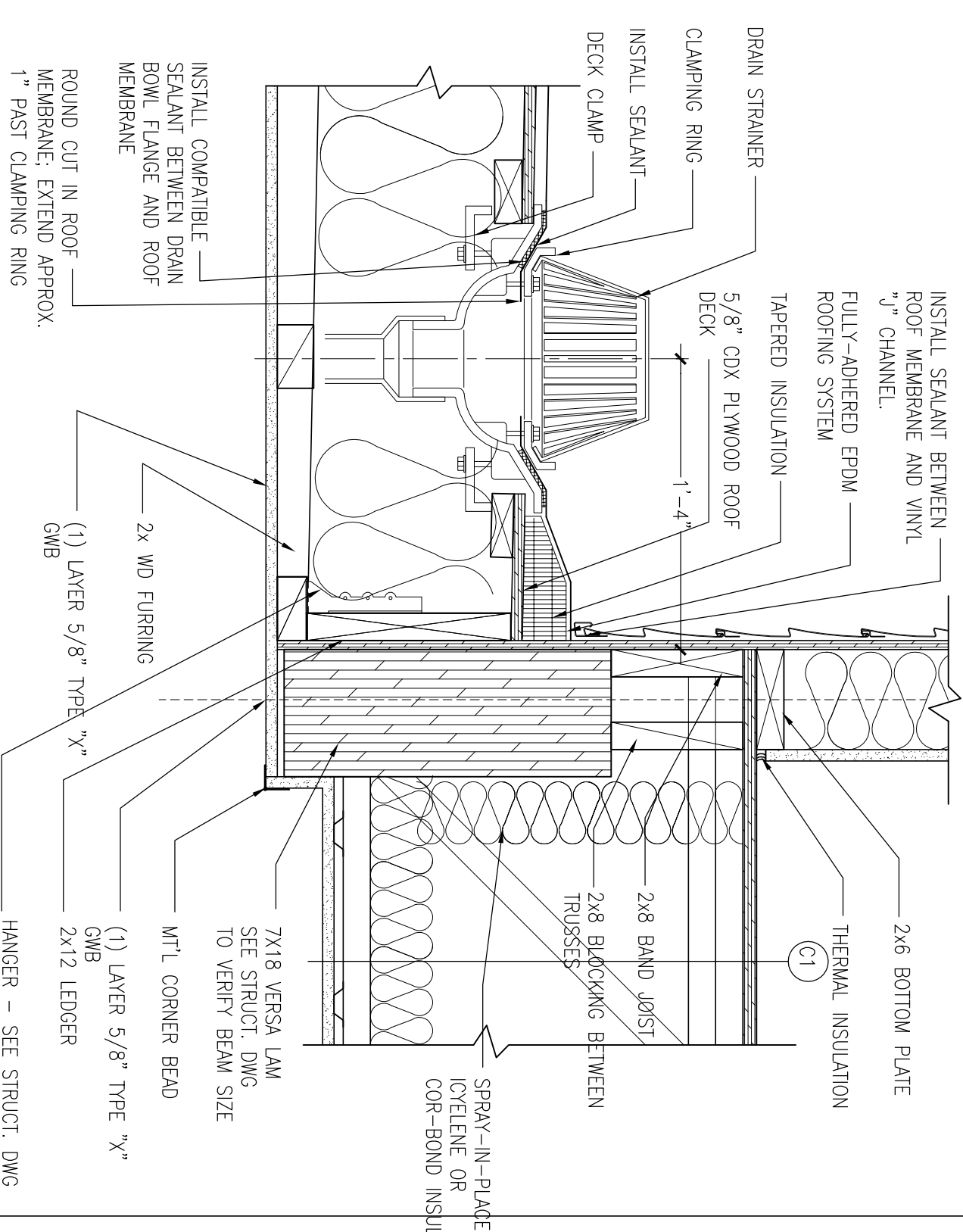


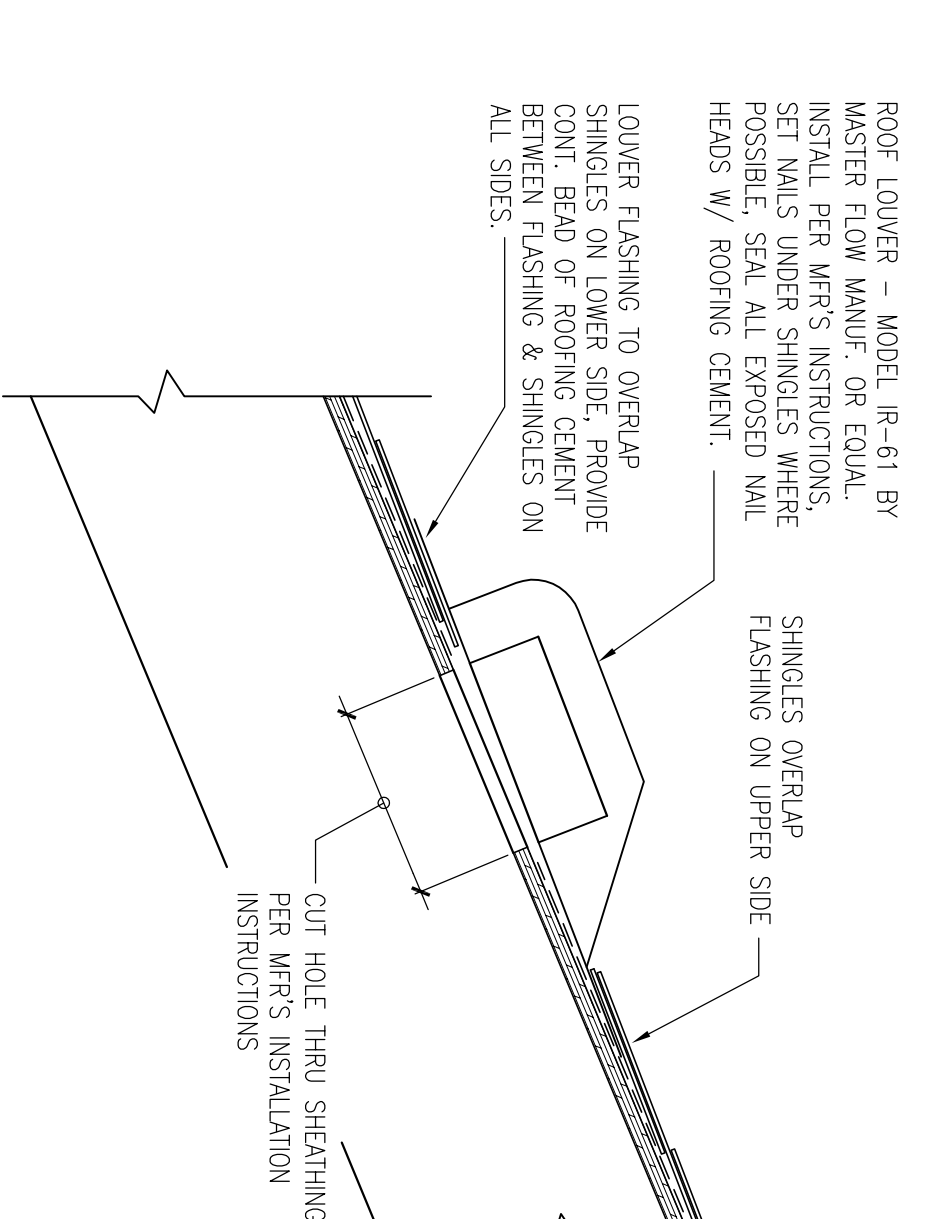
1 **DETAIL @ INT. NON BEARING WALL**
 REFERENCED FROM: SCALE: 1/2" = 1'-0"



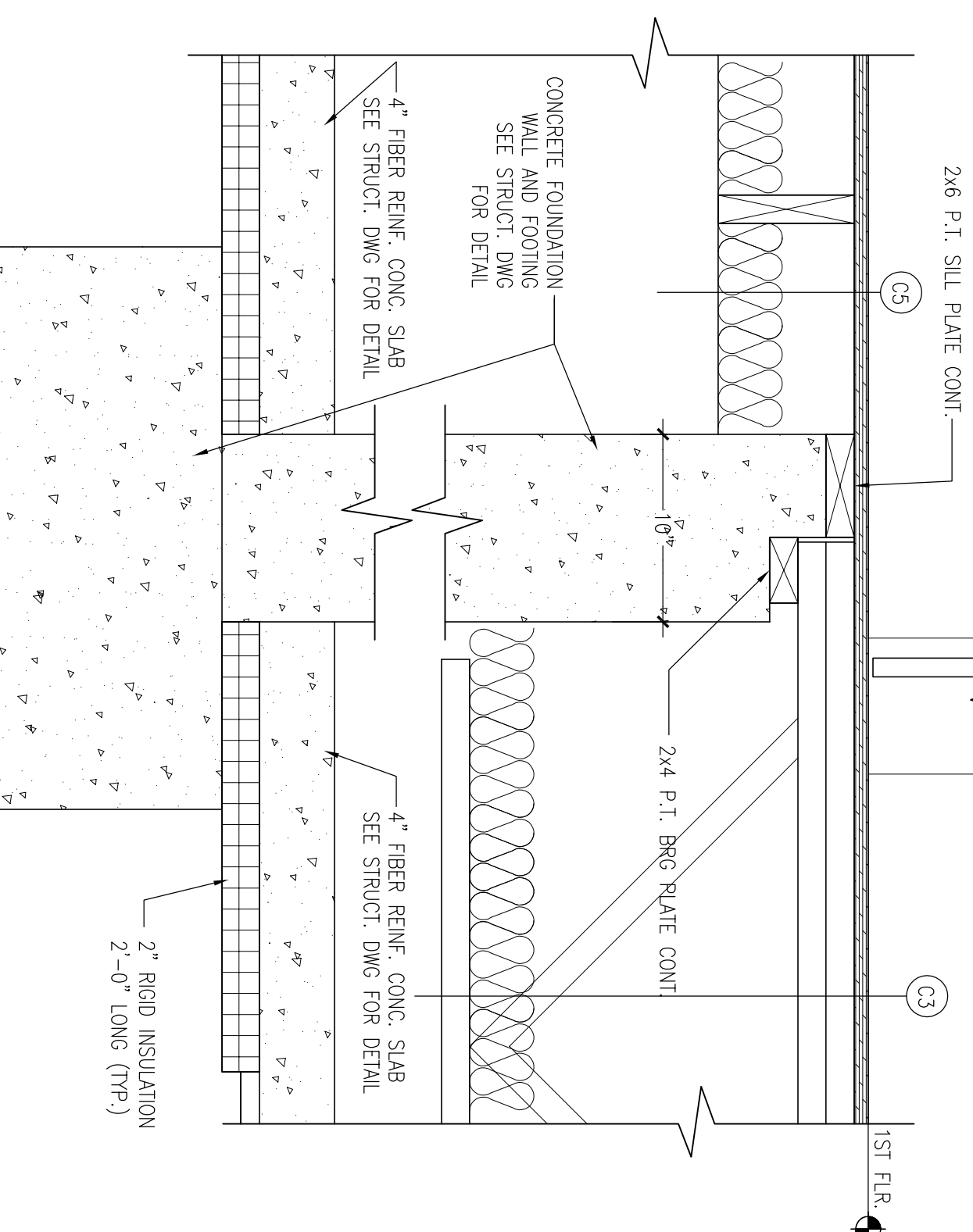
2 **DETAIL AT EXTERIOR WALL AT MECH. ROOM**
 REFERENCED FROM: SCALE: 1/2" = 1'-0"



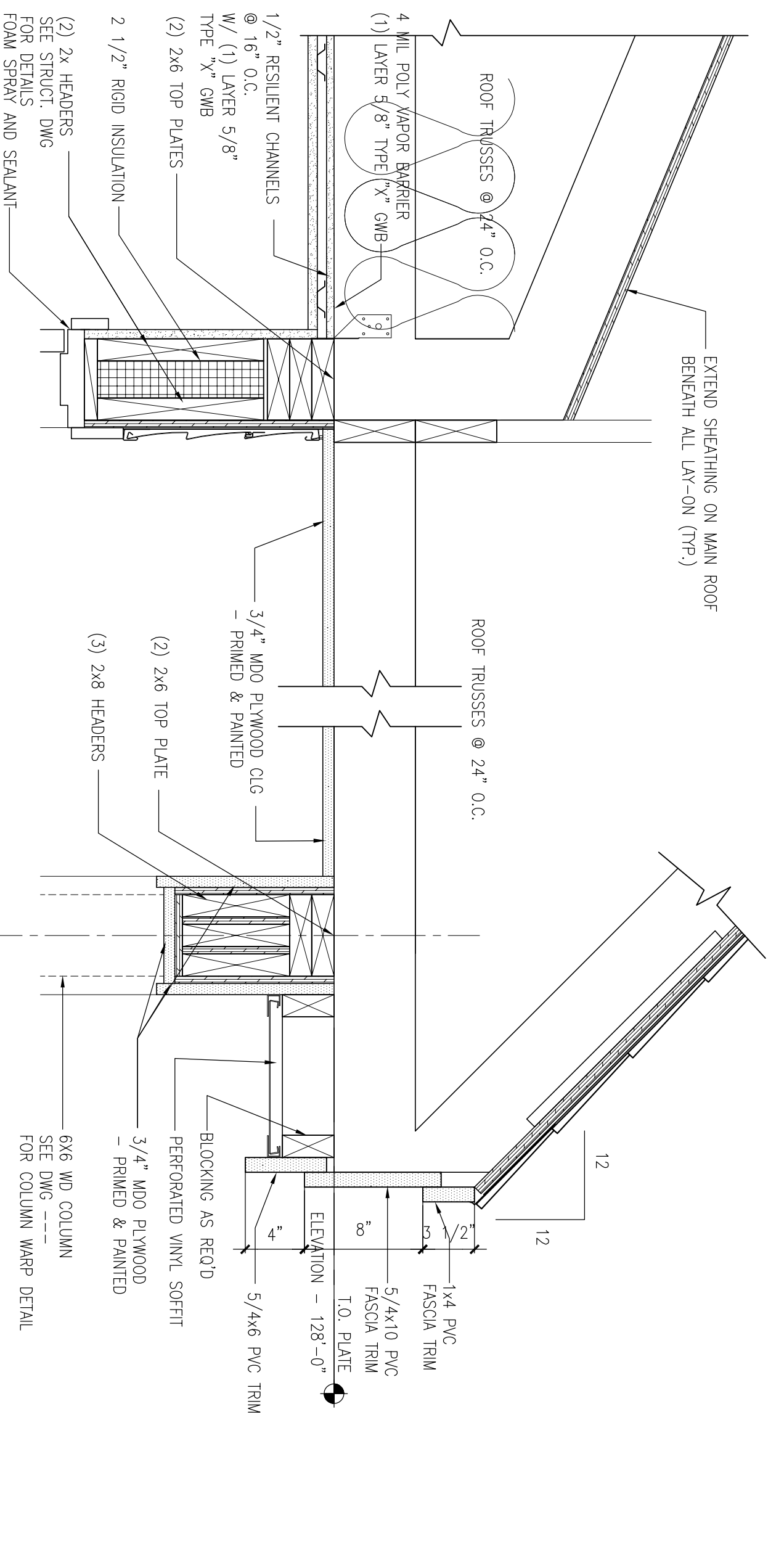
3 **DETAIL AT LOBBY/VESTIBULE**
 REFERENCED FROM: SCALE: 1/2" = 1'-0"



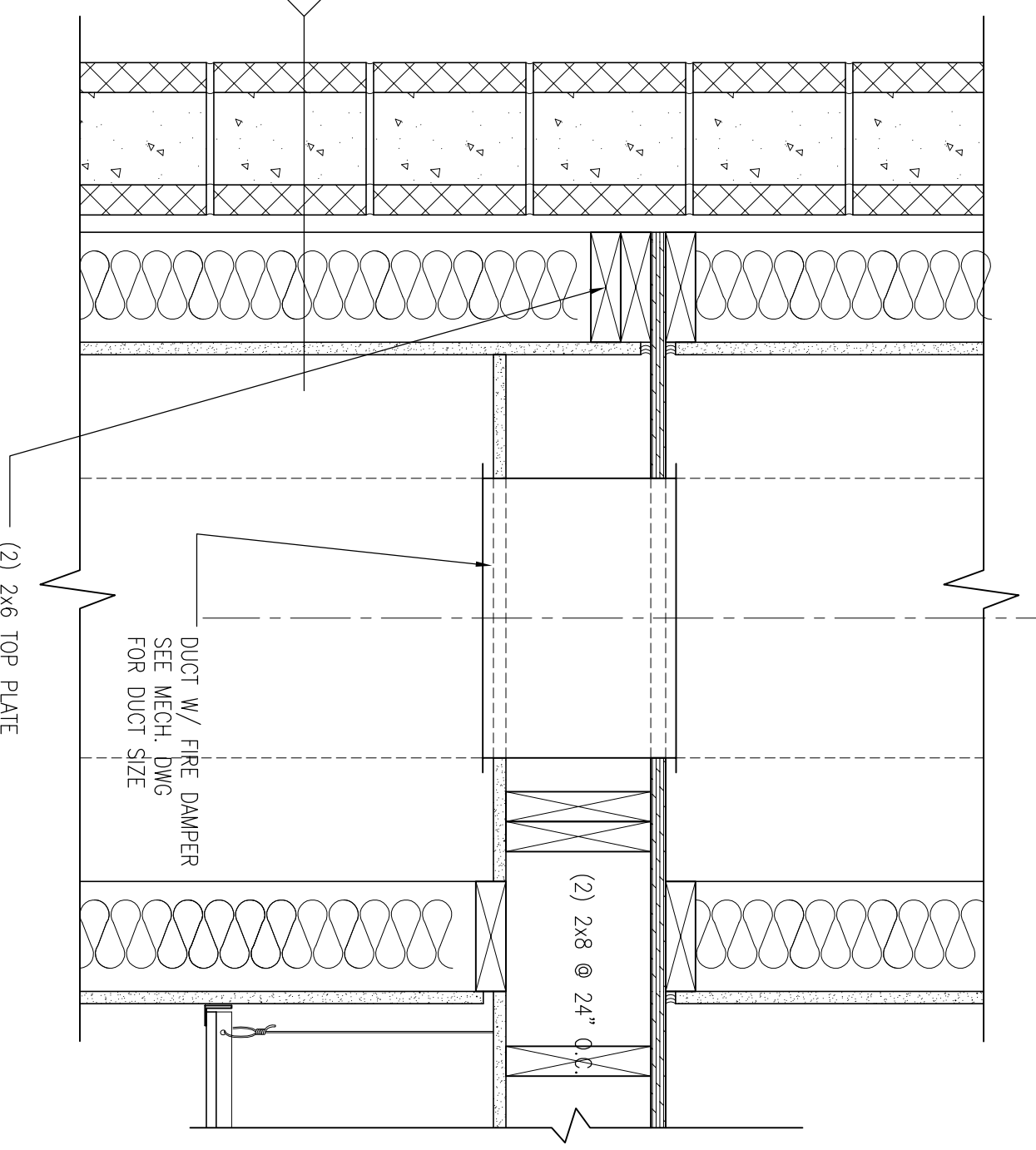
4 **DETAIL AT ROOF LOUVER**
 REFERENCED FROM: SCALE: 1/2" = 1'-0"



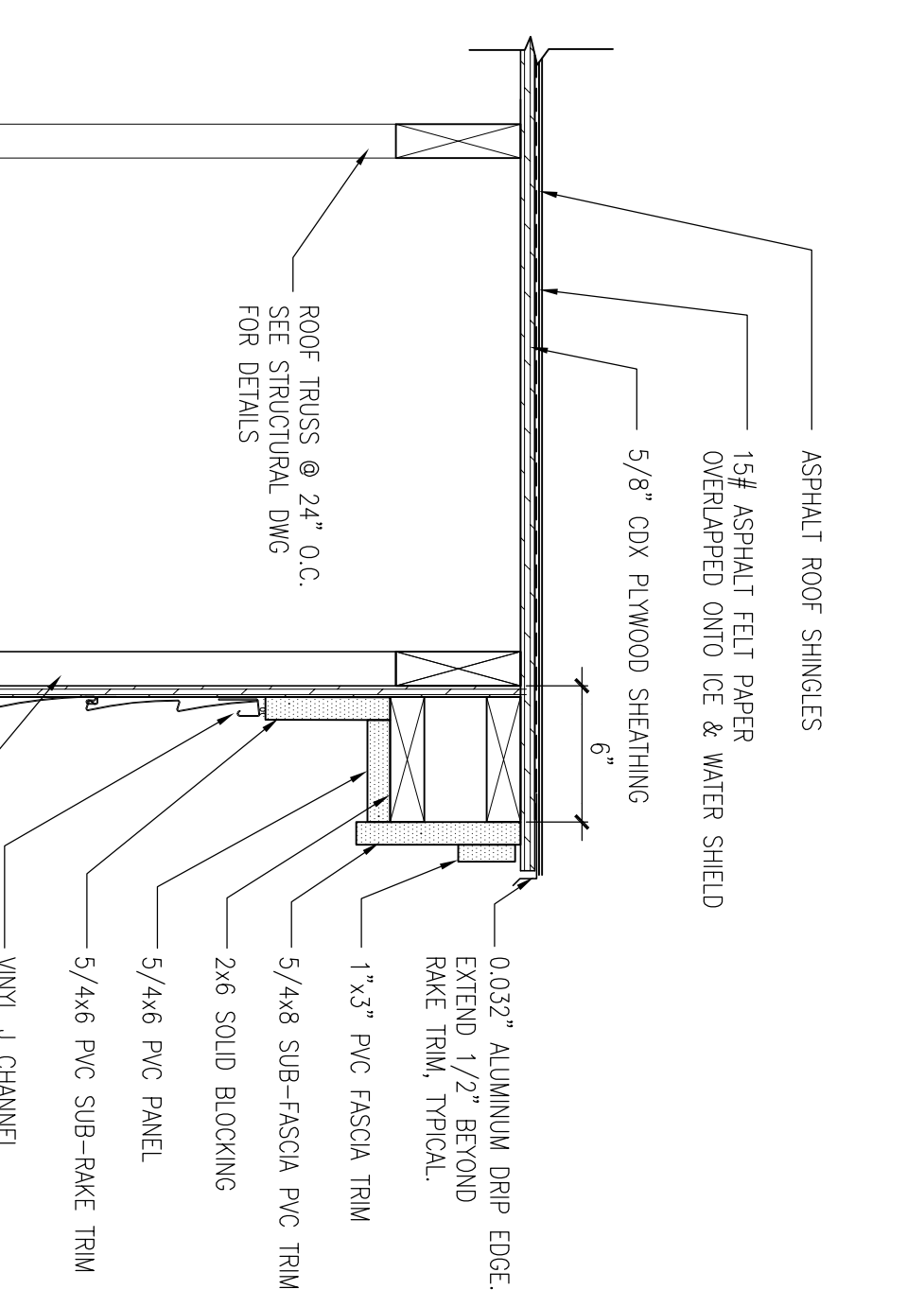
5 **DETAIL AT BEARING WALL**
 REFERENCED FROM: SCALE: 1/2" = 1'-0"



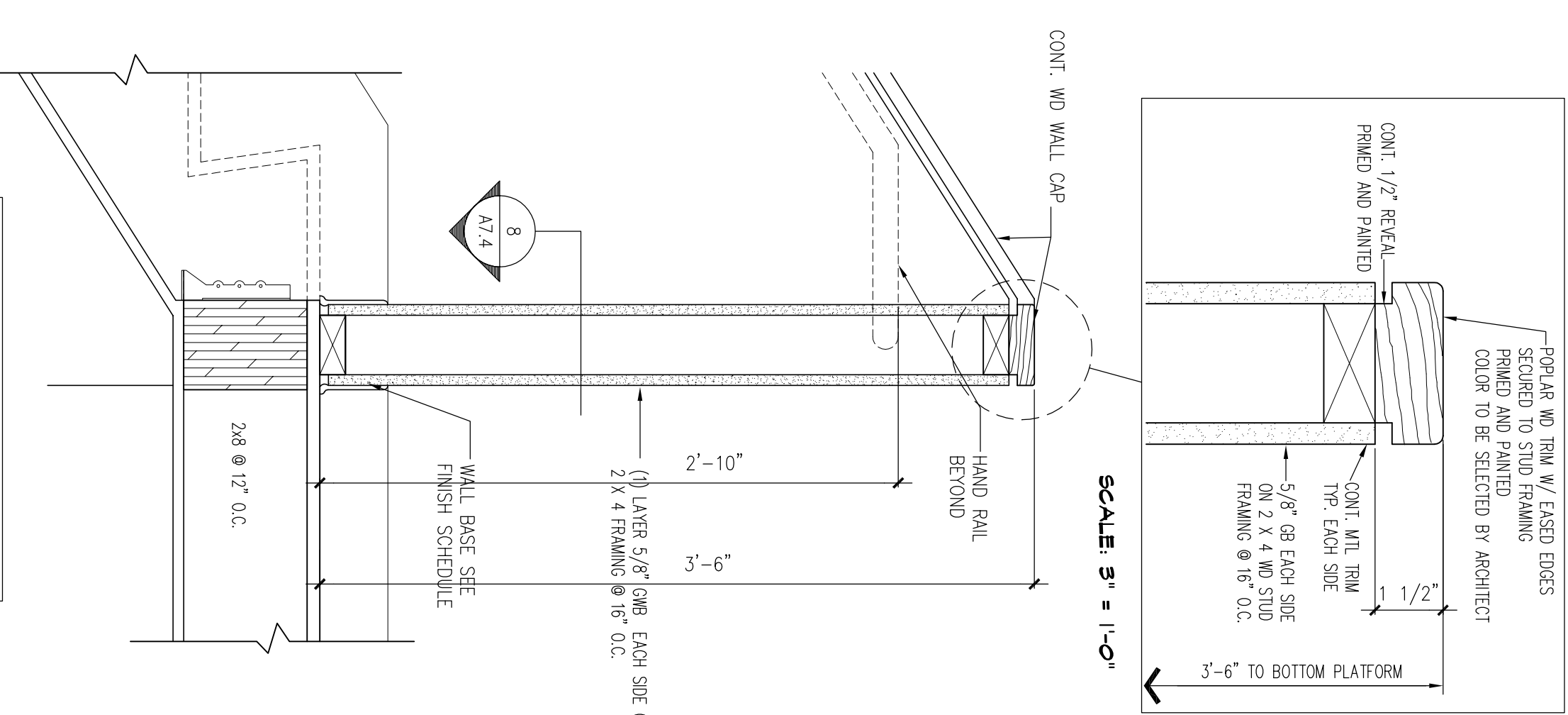
6 **DETAIL AT DECK ROOF**
 REFERENCED FROM: SCALE: 1/2" = 1'-0"



7 **BOX OUT DUCT**
 REFERENCED FROM: SCALE: 1/2" = 1'-0"



9 **RAKE PVC TRIM DETAIL**
 REFERENCED FROM: SCALE: 1/2" = 1'-0"



8 **DETAIL AT STAIR WALL**
 REFERENCED FROM: SCALE: 3/8" = 1'-0"

CWS Architects
 Architectural
 Space Planning
 Value Design

434 Cumberland Avenue
 Portland, ME 04101
 Phone: (207)774-4411
 Fax: (207)774-4016
www.CWSarch.com

FORE RIVER HOUSING LP
 C/O MESTRA
 307 CUMBERLAND AVE
 PORTLAND, MAINE 04101

Owner
 Client

FORE RIVER APARTMENTS
 63 Frederic Street
 Portland, Maine

Project No: 0446 FRA
 Drawing Title: DETAILS

Scale: 1/2" = 1'-0"
 Date: 2/21/2005
 Revisions:

Drawing Number: **A7.4**