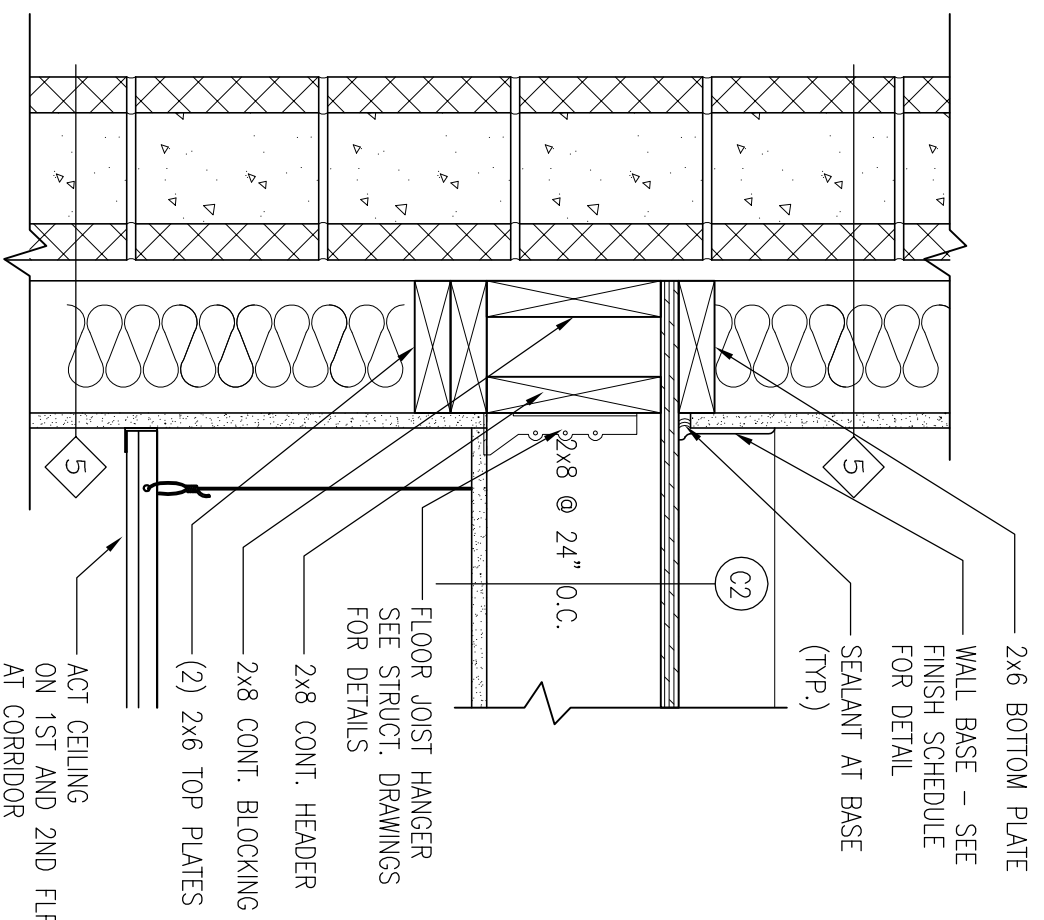
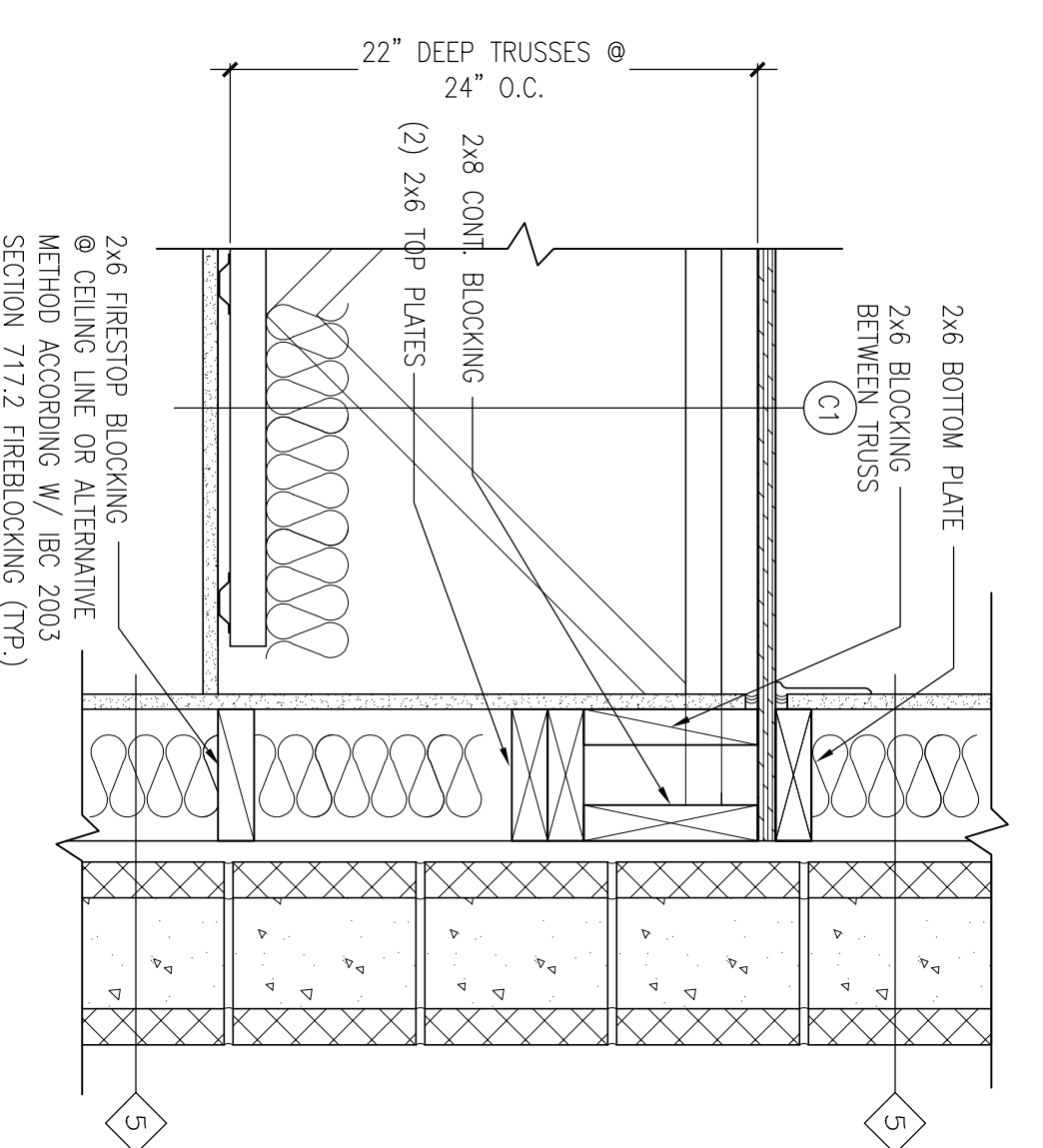


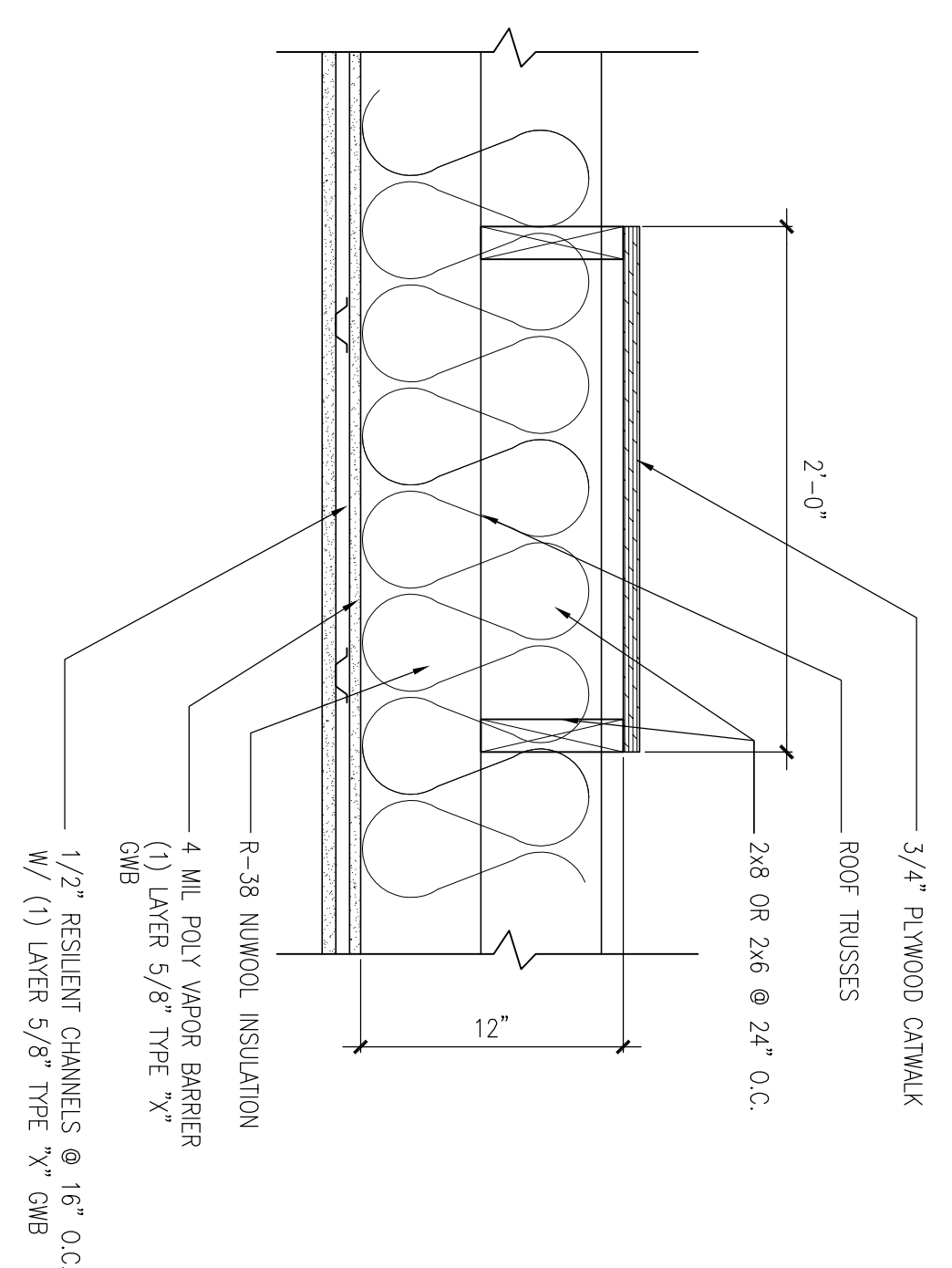
**1** **DETAIL @ RIDGE BOARD**  
SCALE: 1/2" = 1'-0"



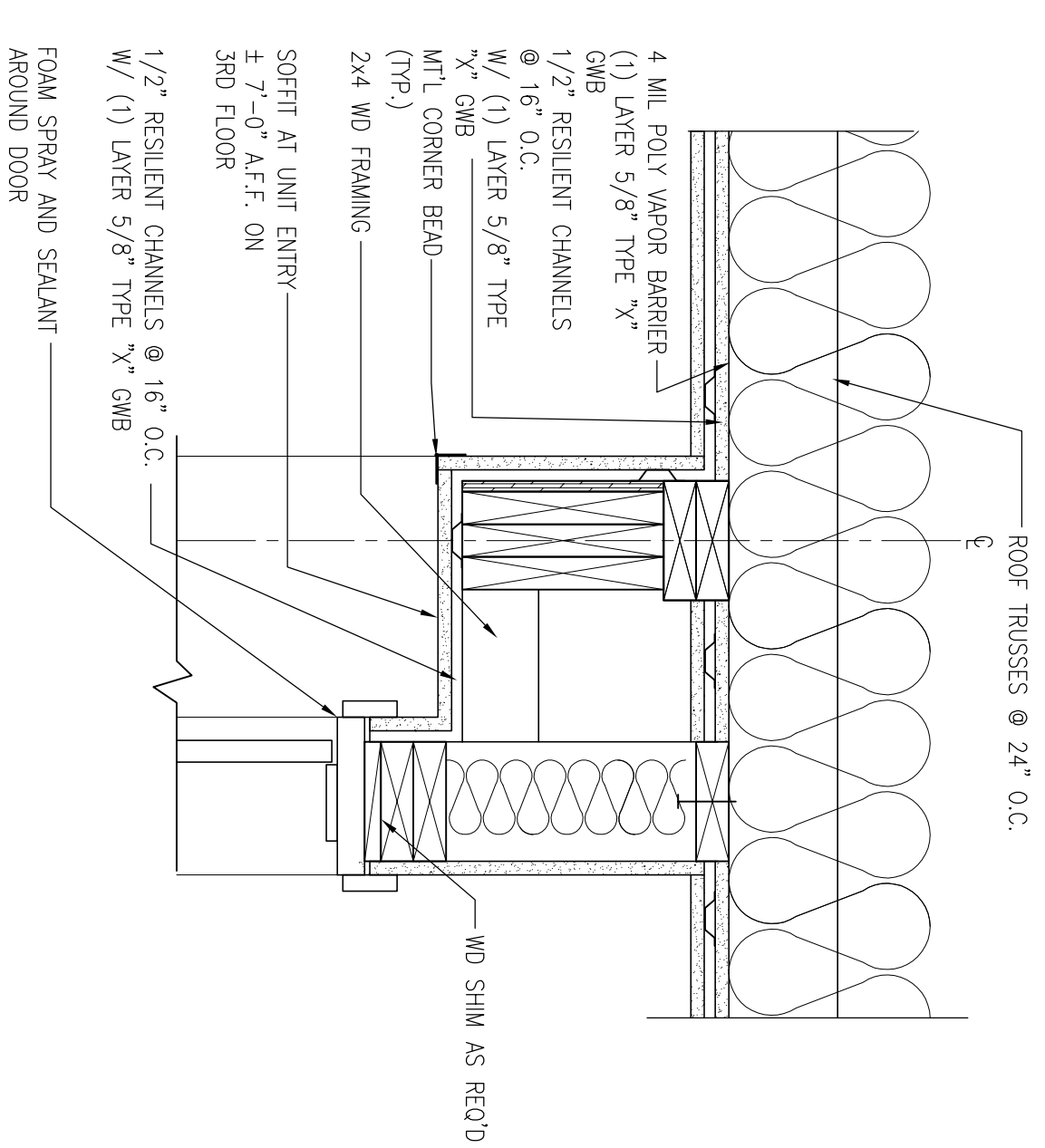
**4** **DETAIL @ ELEVATOR WALL/CORRIDOR**  
SCALE: 1/2" = 1'-0"



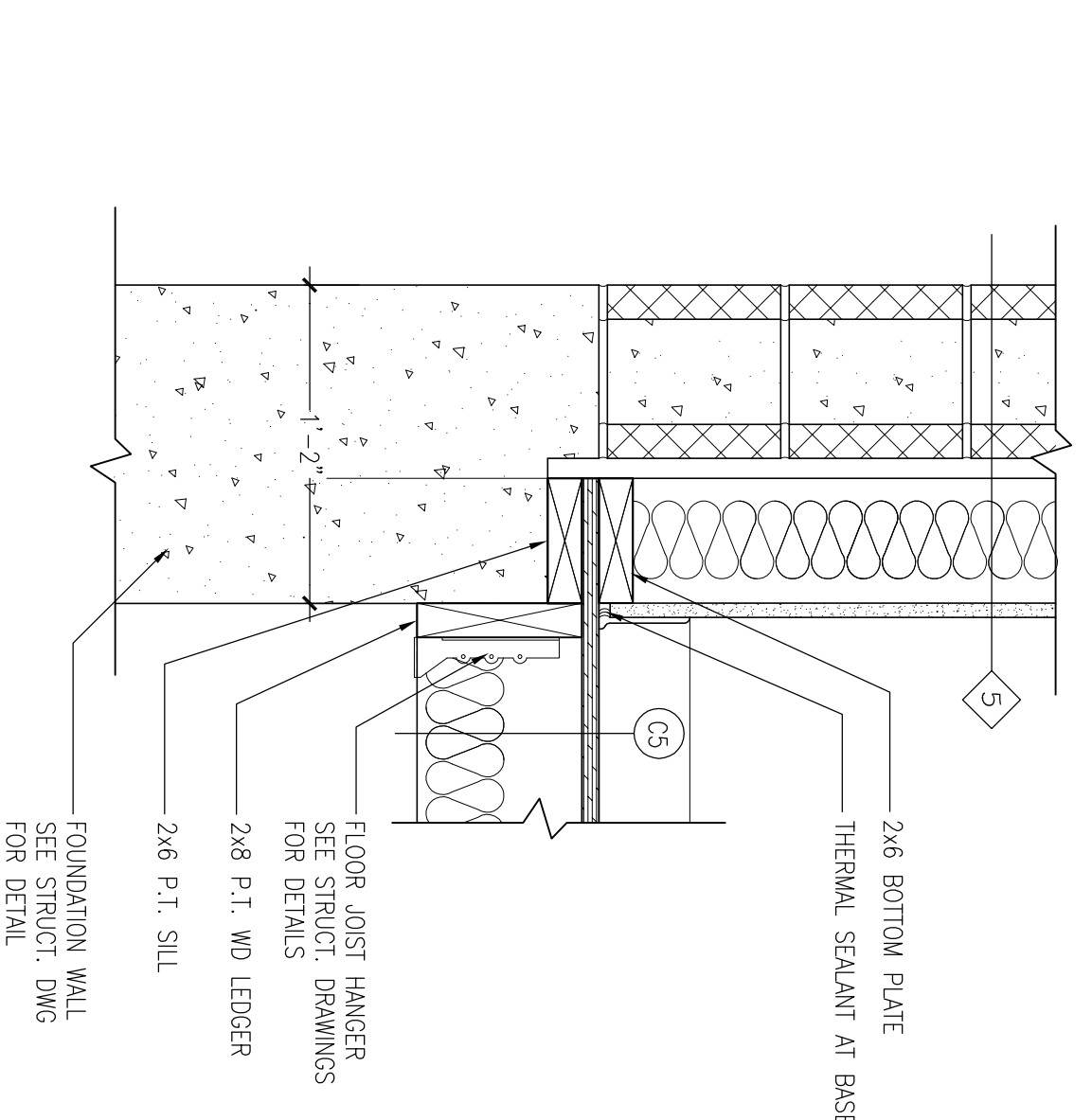
**7** **DETAIL @ ELEVATOR WALL**  
SCALE: 1/2" = 1'-0"



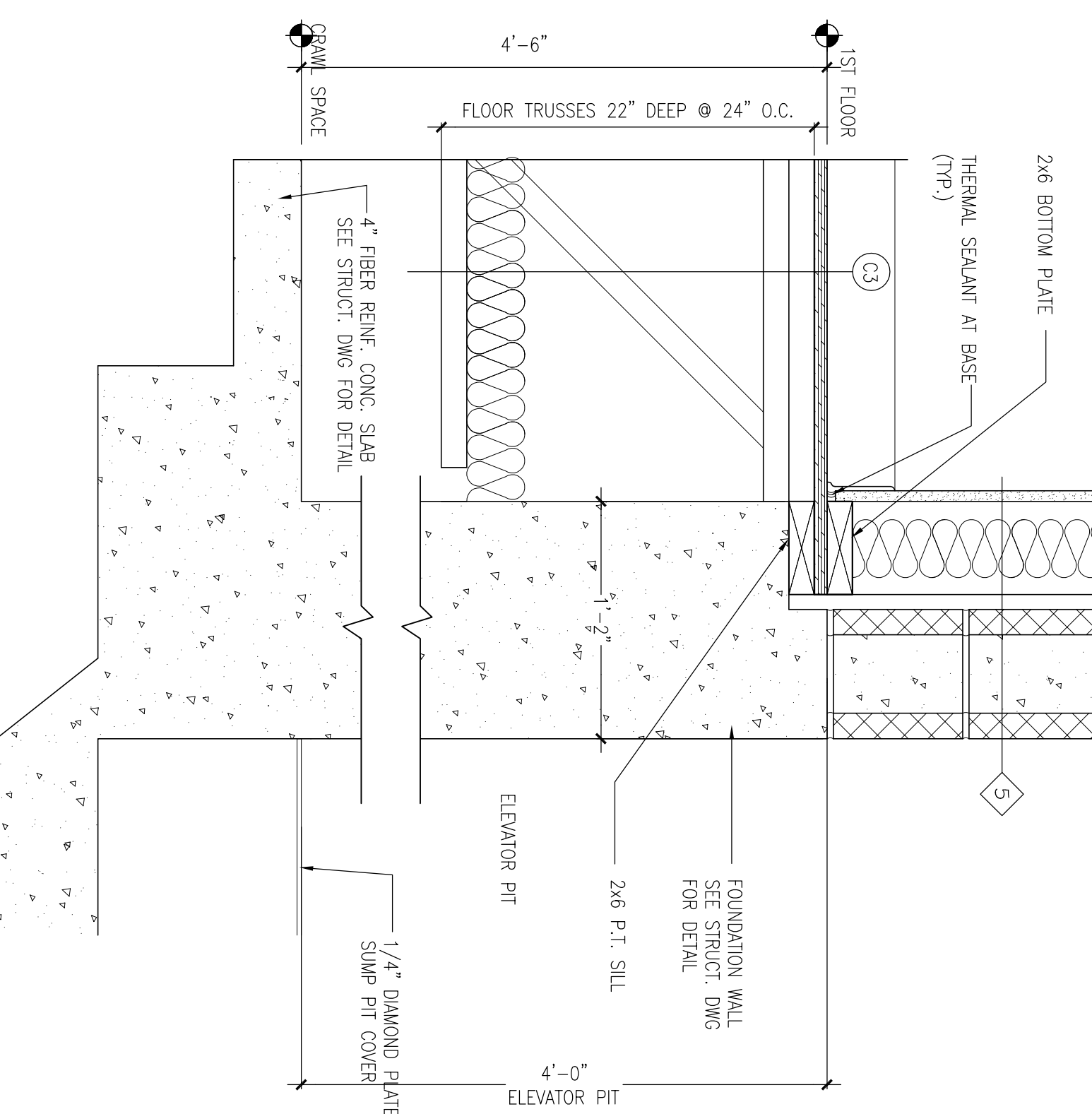
**10** **CATWALK DETAIL AT ATTIC**  
SCALE: 1/2" = 1'-0"



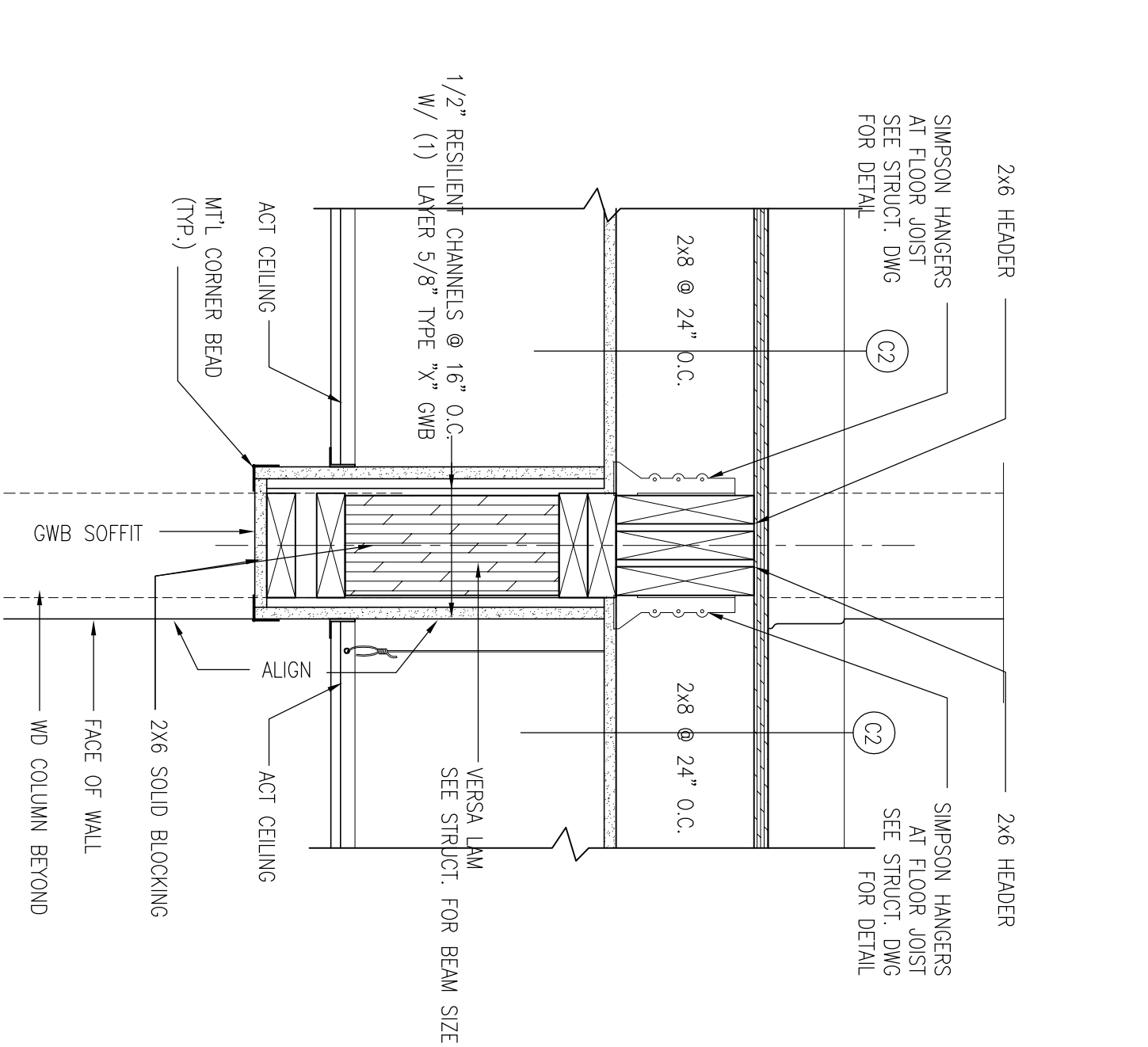
**2** **DETAIL @ 3RD FLR. UNIT ENTRY SOFFIT**  
SCALE: 1/2" = 1'-0"



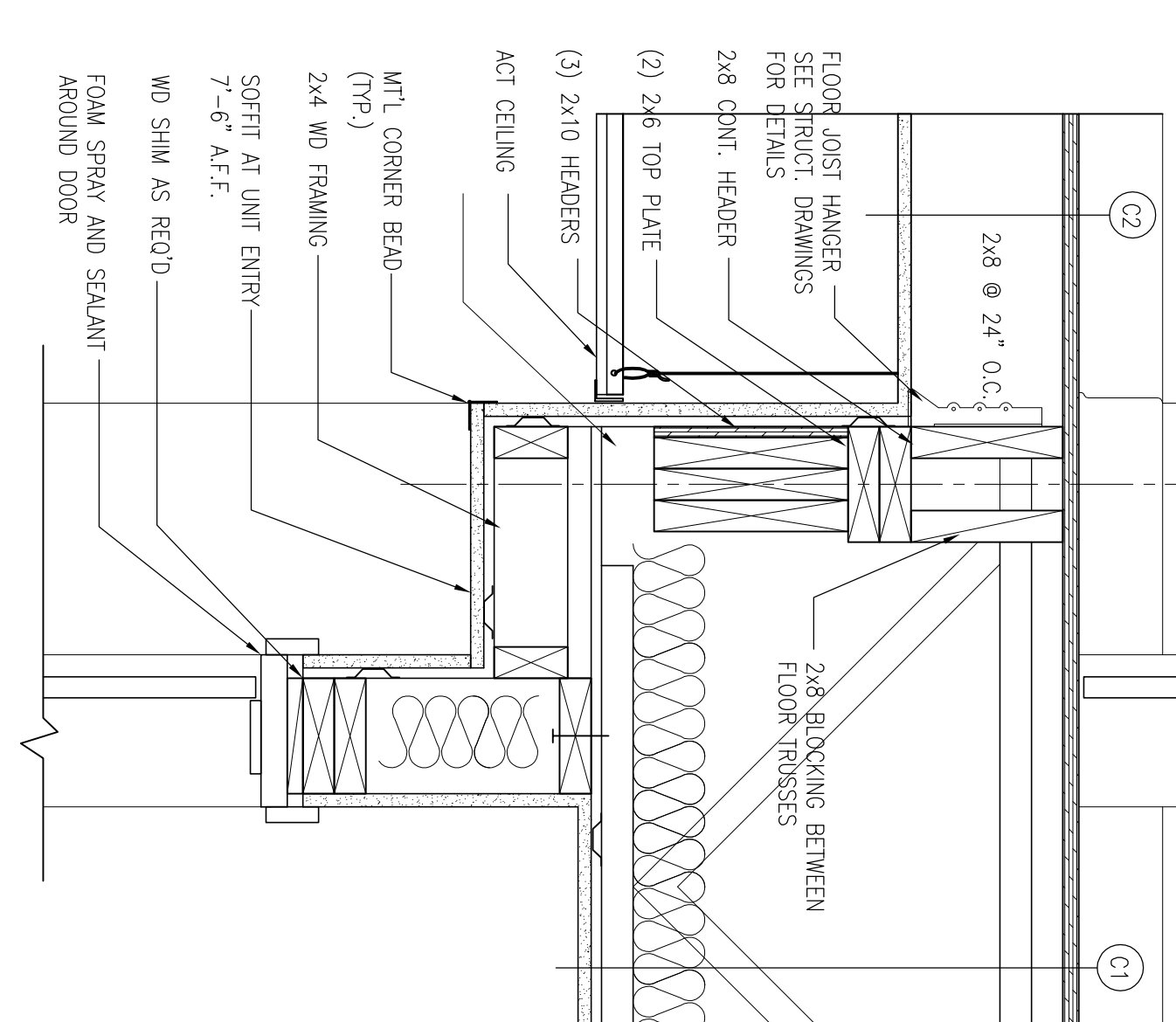
**5** **DETAIL @ ELEVATOR AT CRAW SPACE**  
SCALE: 1/2" = 1'-0"



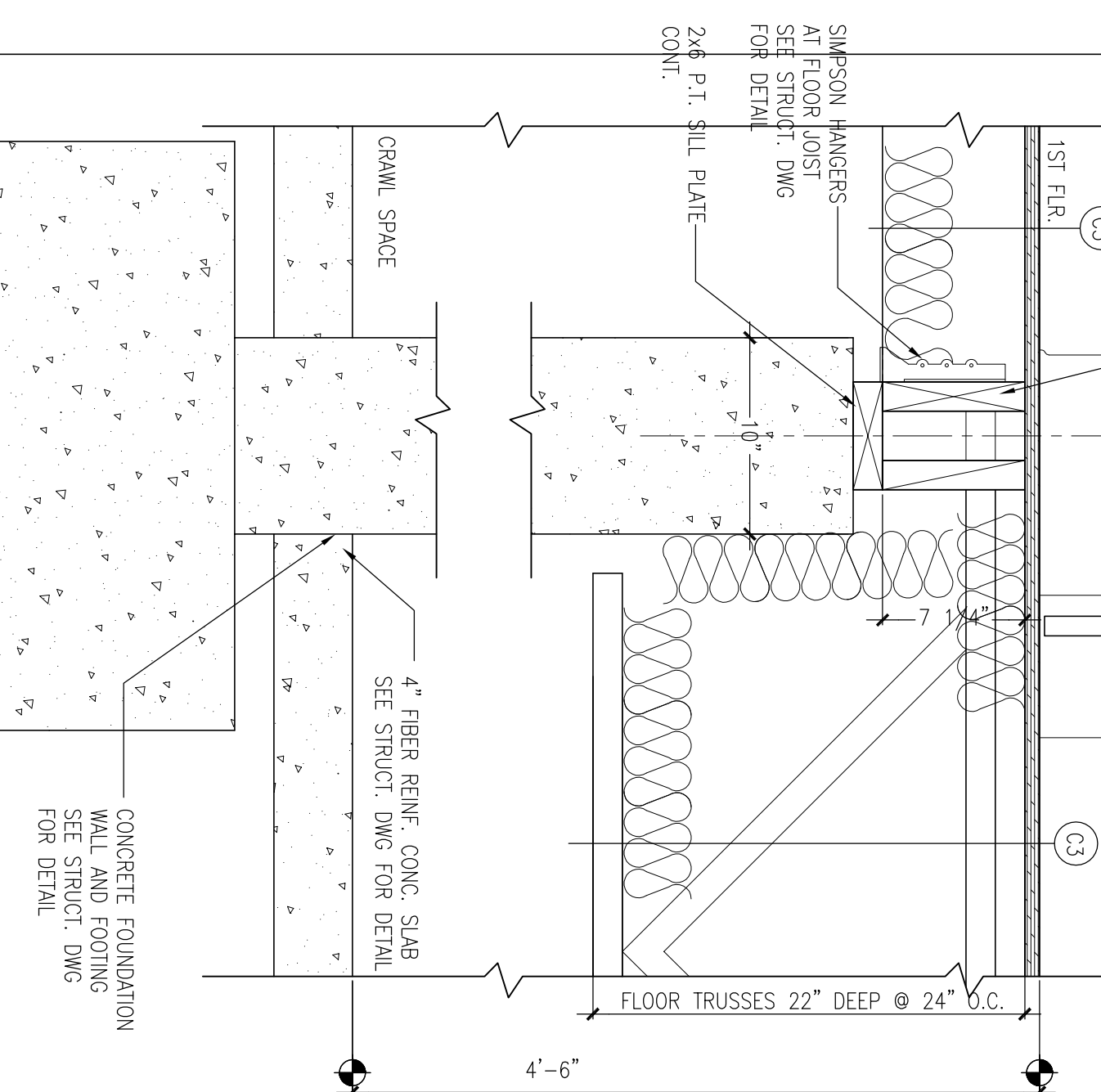
**8** **DETAIL @ ELEVATOR WALL/PIT**  
SCALE: 1/2" = 1'-0"



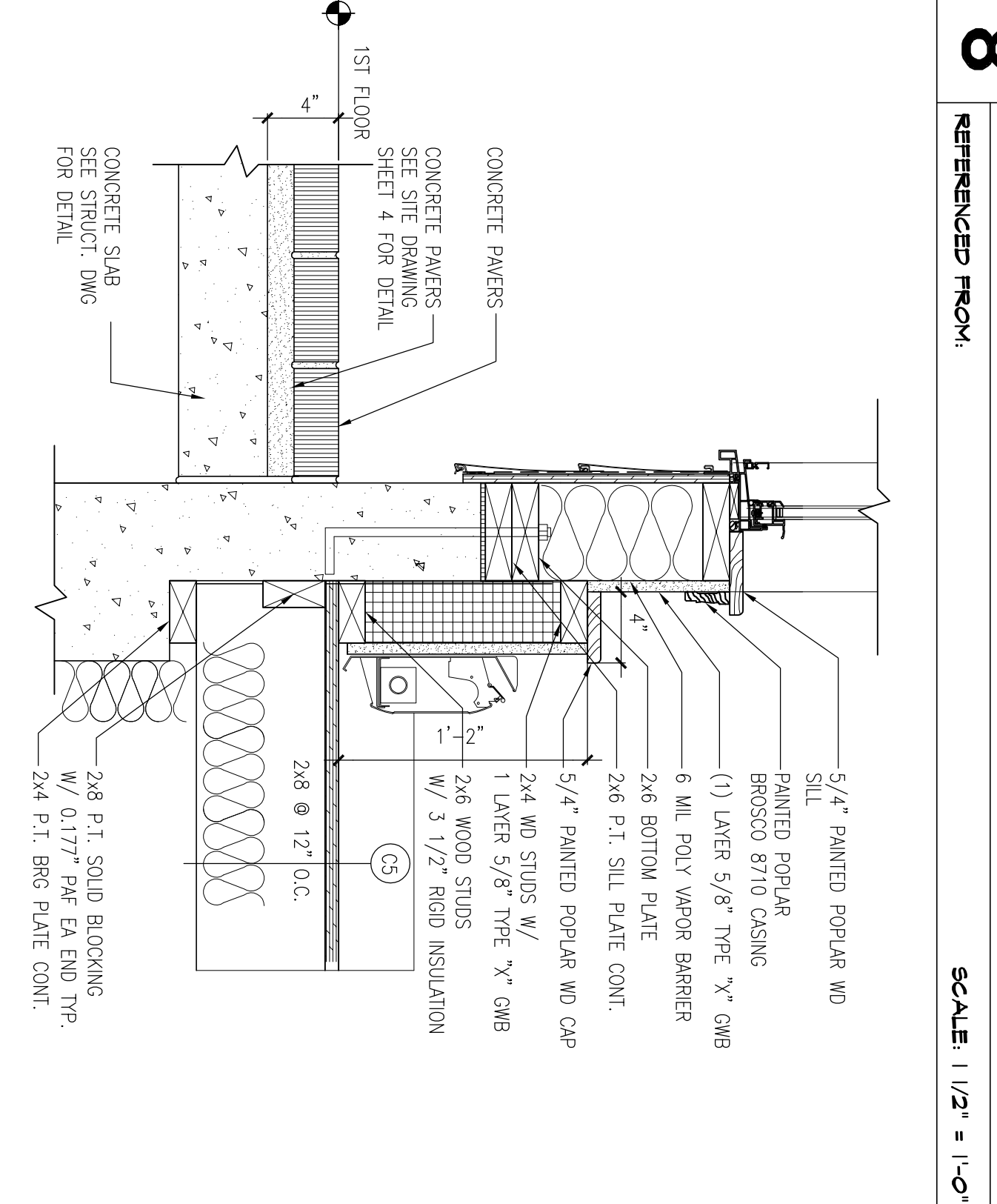
**11** **DETAIL @ CORRIDOR/ ELEVATOR LOBBY**  
SCALE: 1/2" = 1'-0"



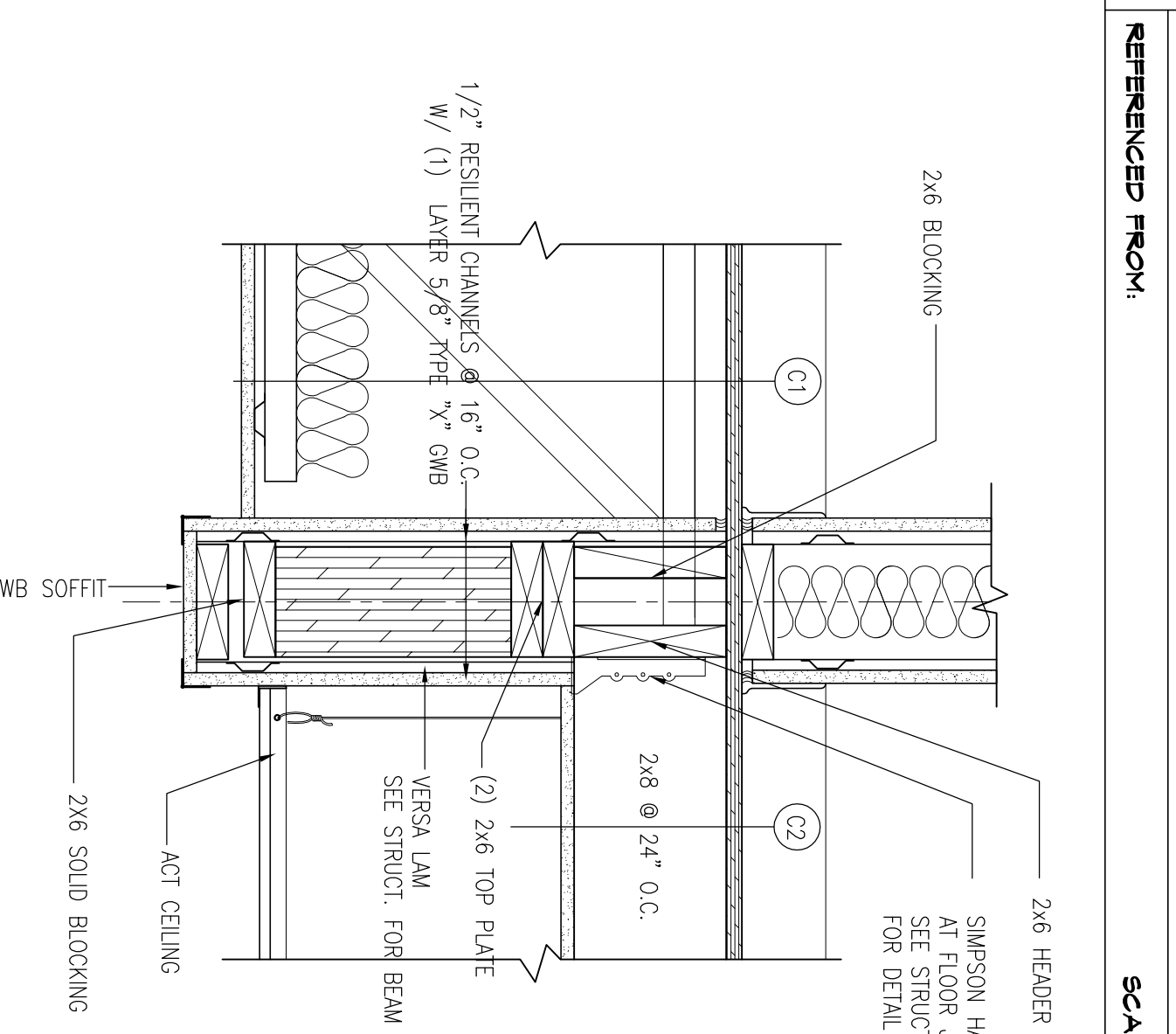
**3** **DETAIL AT UNIT ENTRY SOFFIT**  
SCALE: 1/2" = 1'-0"



**6** **DETAIL AT INT. BEARING WALL/DOOR**  
SCALE: 1/2" = 1'-0"



**9** **DETAIL AT EXT. BEARING WALL AT FRONT VEST.**  
SCALE: 1/2" = 1'-0"



**12** **DETAIL @ CORRIDOR/ ELEVATOR LOBBY**  
SCALE: 1/2" = 1'-0"