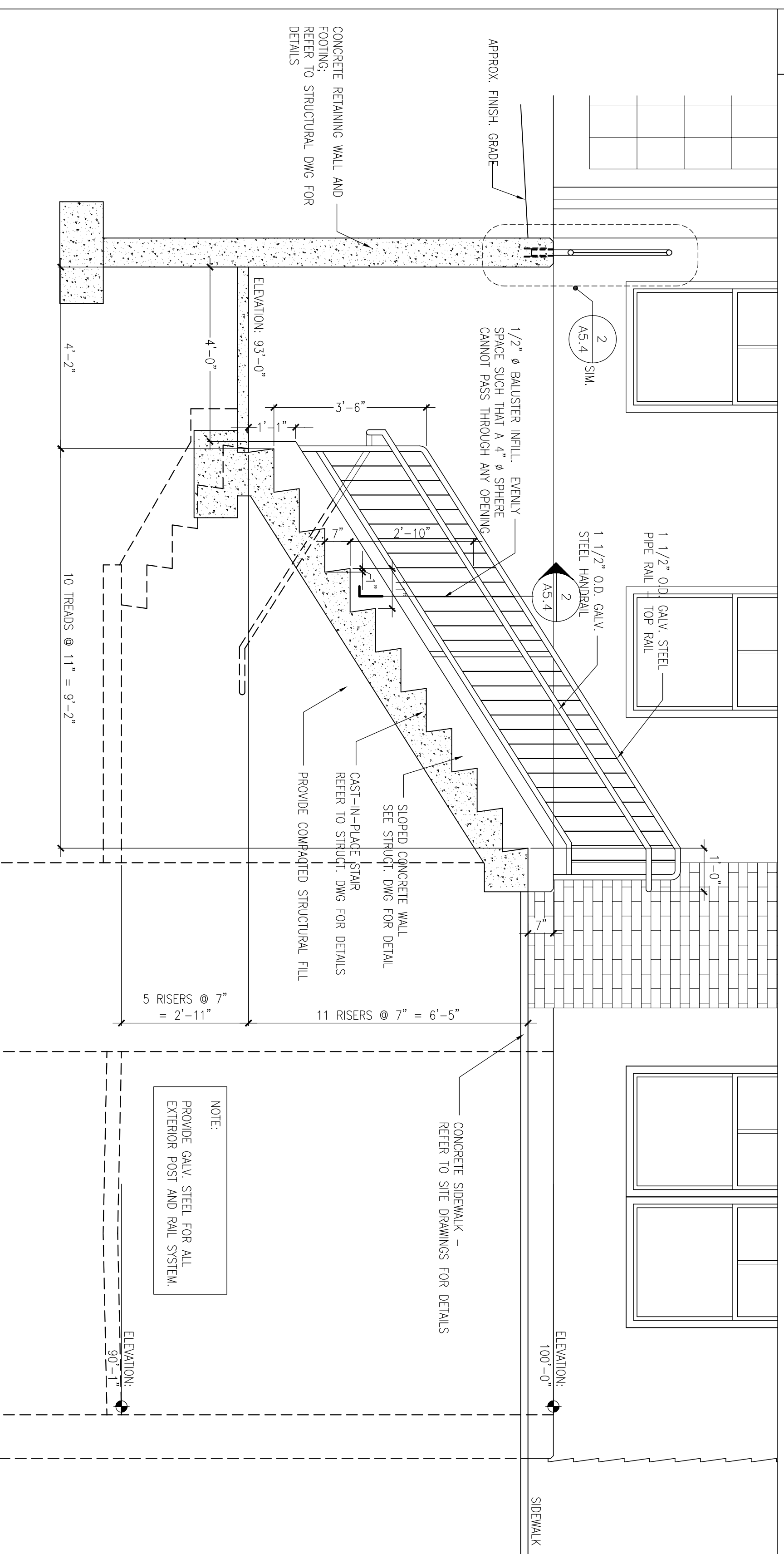


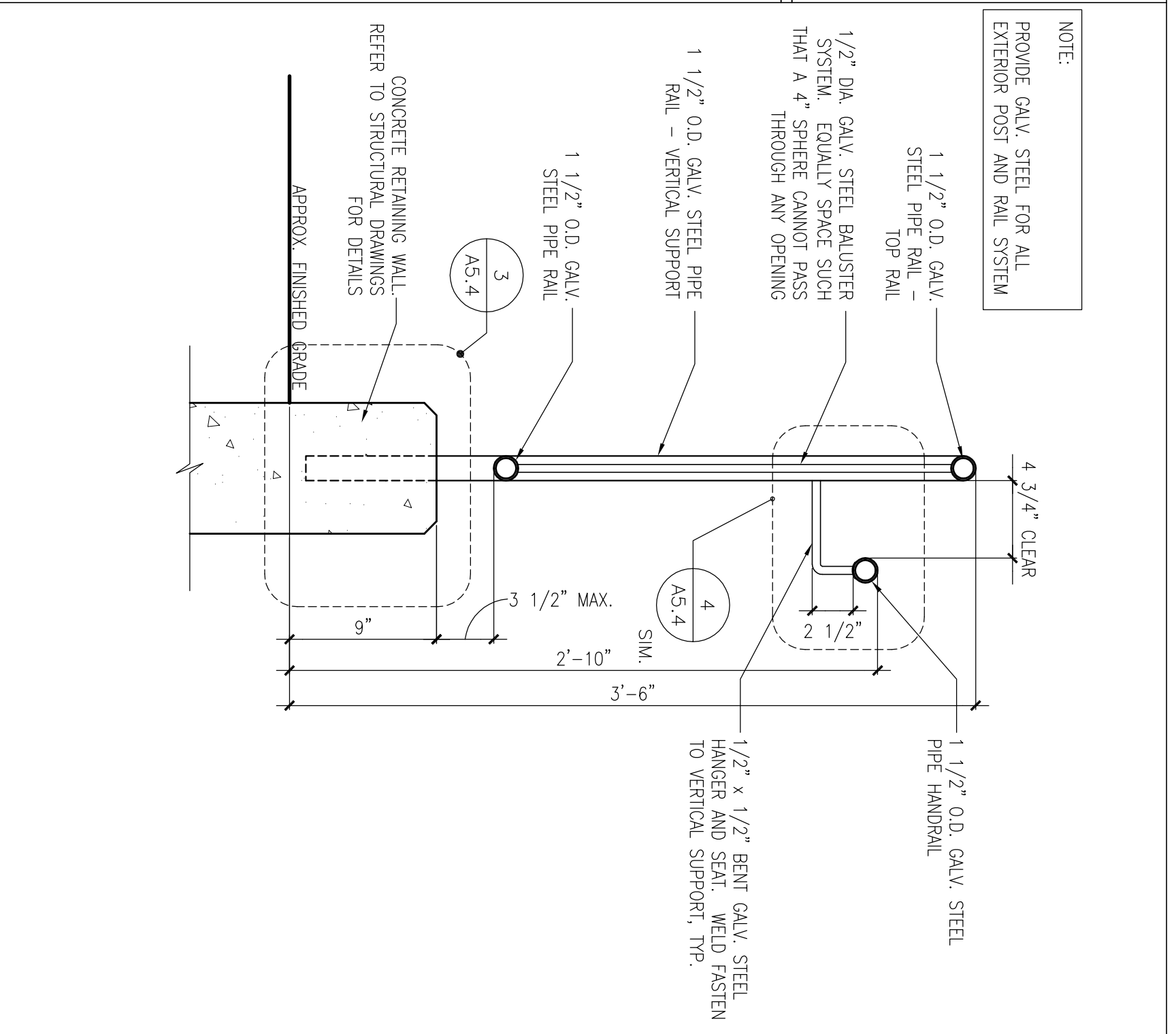
**E BUILDING SECTION**  
REFERENCED FROM:

SCALE: 1/4" = 1'-0"



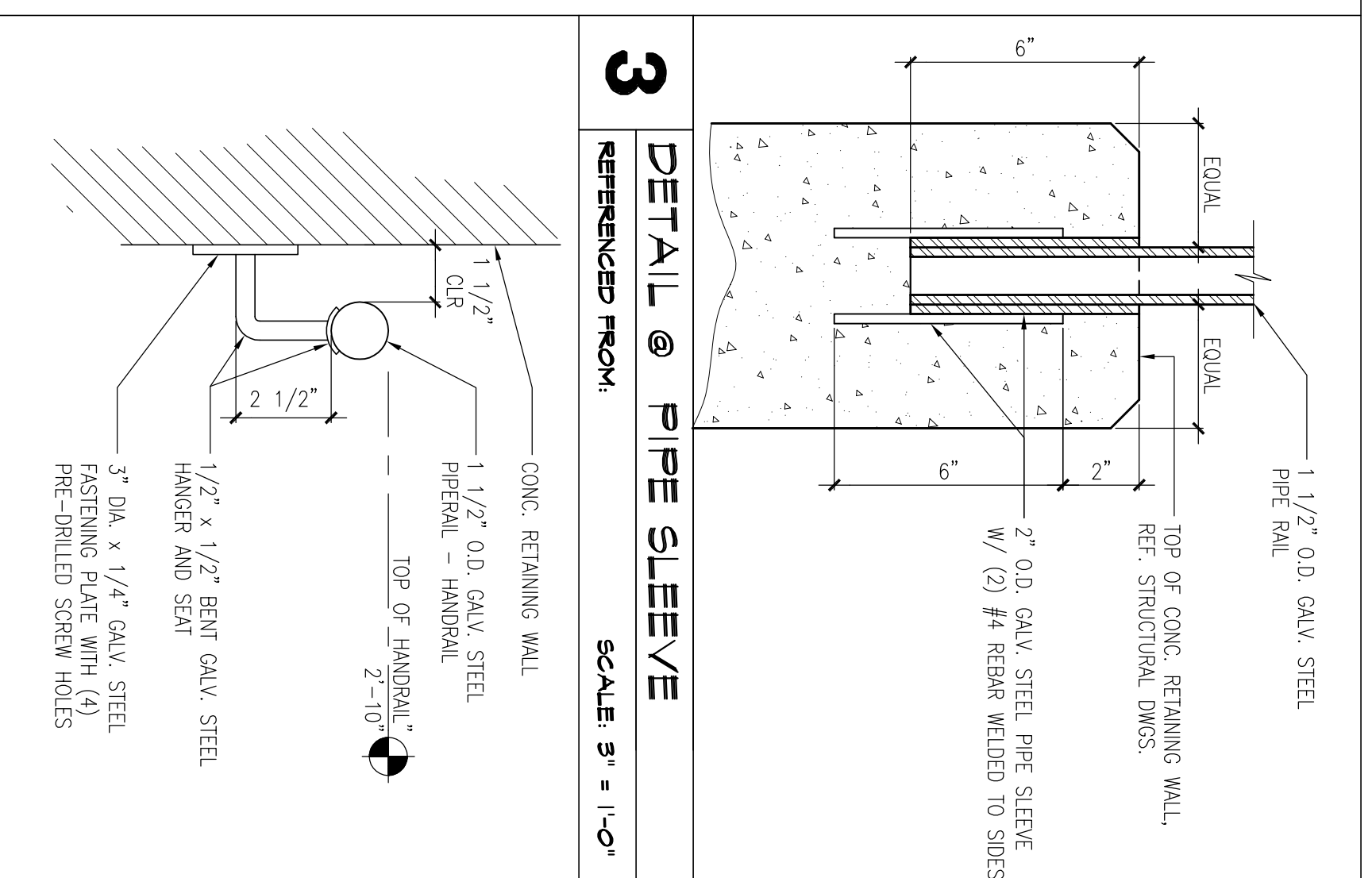
**1 EXTERIOR STAIR SECTION**  
REFERENCED FROM:

SCALE: 1/2" = 1'-0"



**2 DETAIL @ GUARDRAIL W/ HANDRAIL**  
REFERENCED FROM:

SCALE: 1/2" = 1'-0"



**4 HANDRAIL DETAIL**  
REFERENCED FROM:

SCALE: 3/8" = 1'-0"

**3 DETAIL @ PIPE SLEEVE**  
REFERENCED FROM:

SCALE: 3/8" = 1'-0"

**AS NOTED**  
Date: 2/21/2005  
Revisions:

- △
- △
- △
- △
- △
- △
- △
- △
- △
- △

Project No: 0446 FRA  
Drawing Title: **BUILDING SECTION AND DETAILS**

**FORE RIVER APARTMENTS**  
63 Frederic Street  
Portland, Maine

**CWS Architects**  
Architect  
Space Planning  
Value Design

434 Cumberland Avenue  
Portland, ME 04101  
Phone: (207)774-4411  
Fax: (207)774-4016  
[www.CWSarch.com](http://www.CWSarch.com)

**FORE RIVER HOUSING LP**  
C/O MESTRA  
307 CUMBERLAND AVE  
PORTLAND, MAINE 04101

Owner: \_\_\_\_\_  
Client: \_\_\_\_\_

**AS5.4**  
Drawing Numbers