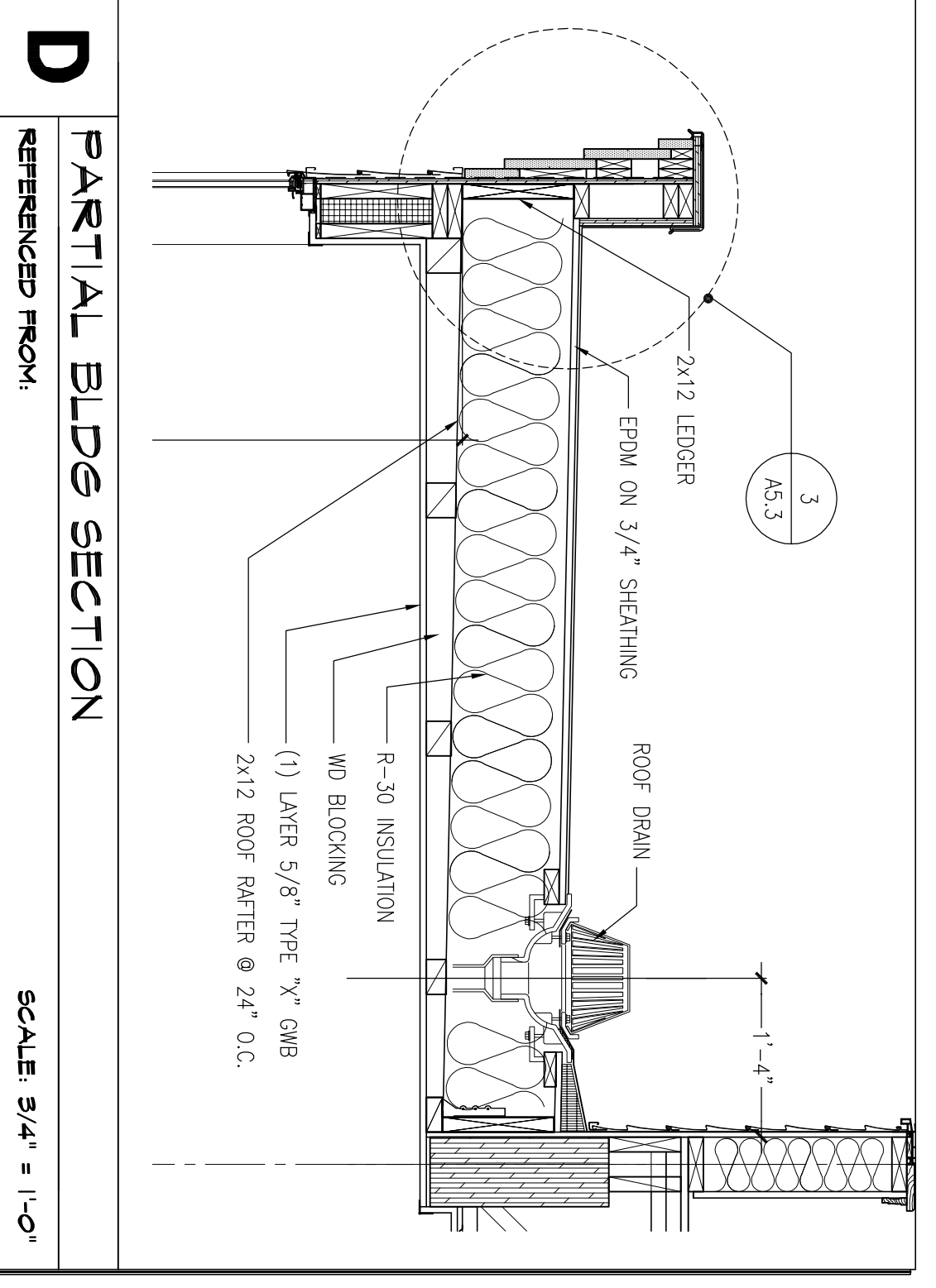


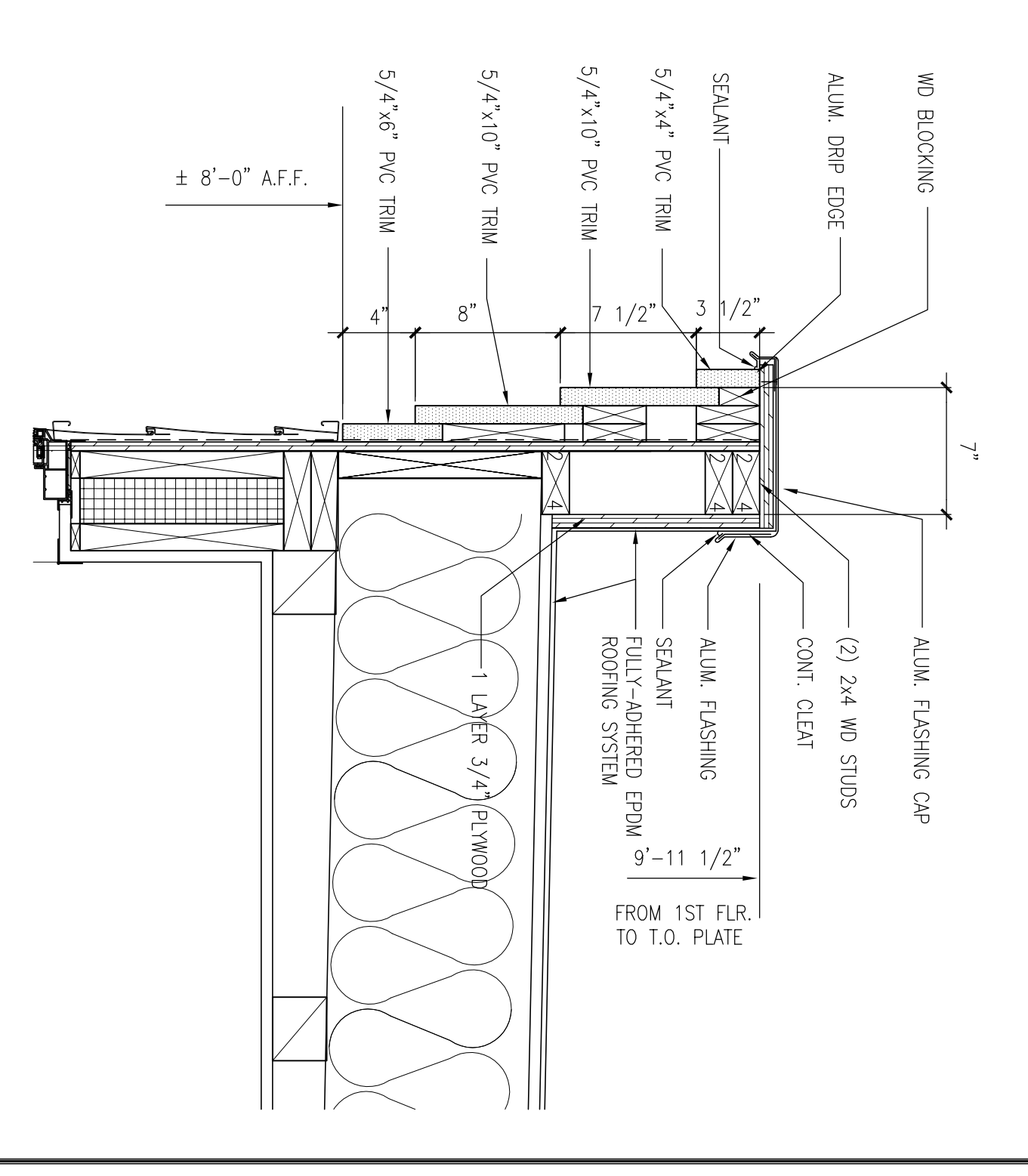
**C BUILDING SECTION**  
 REFERENCED FROM:

SCALE: 1/4" = 1'-0"



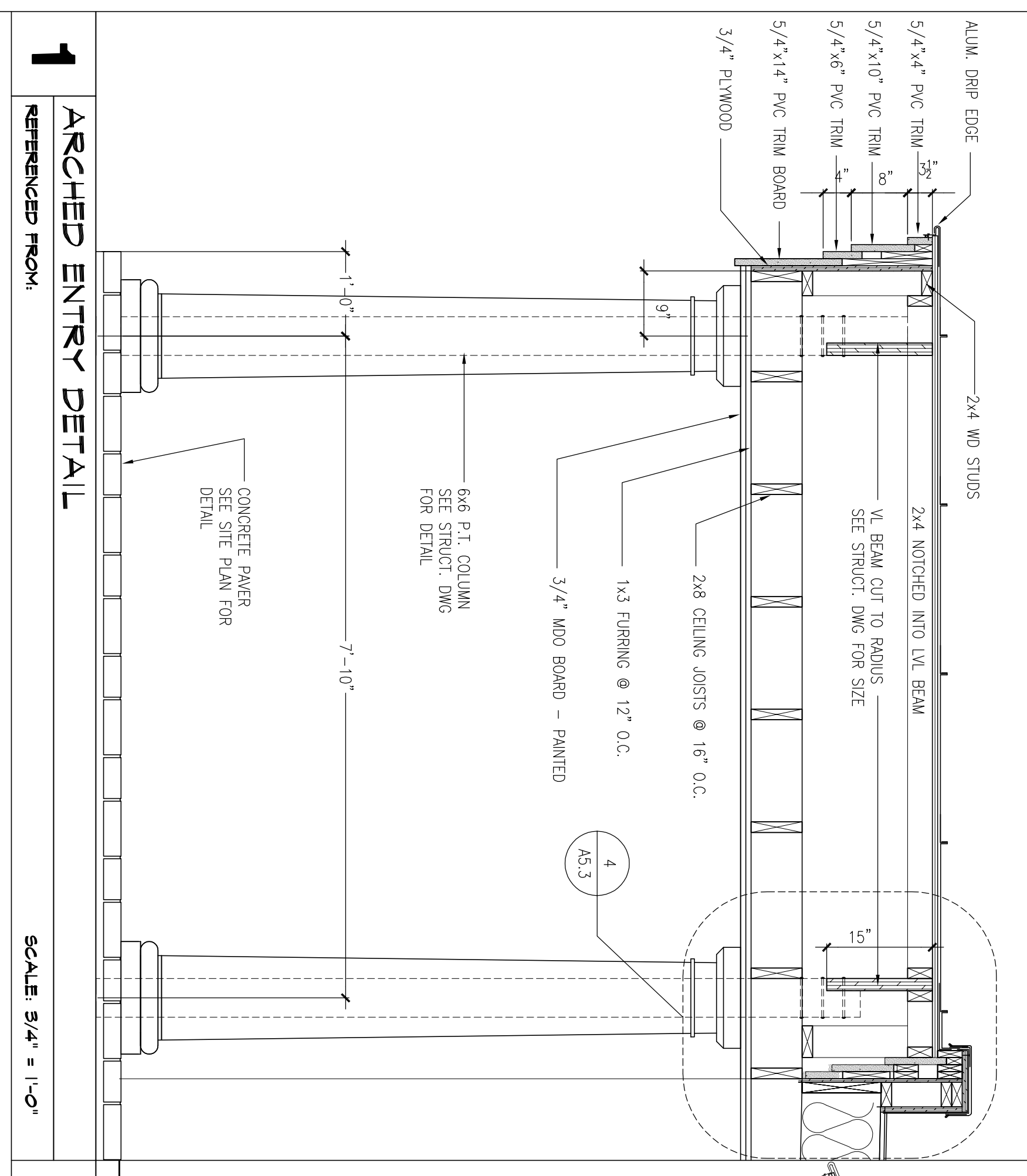
**D PARTIAL BLADE SECTION**  
 REFERENCED FROM:

SCALE: 3/4" = 1'-0"



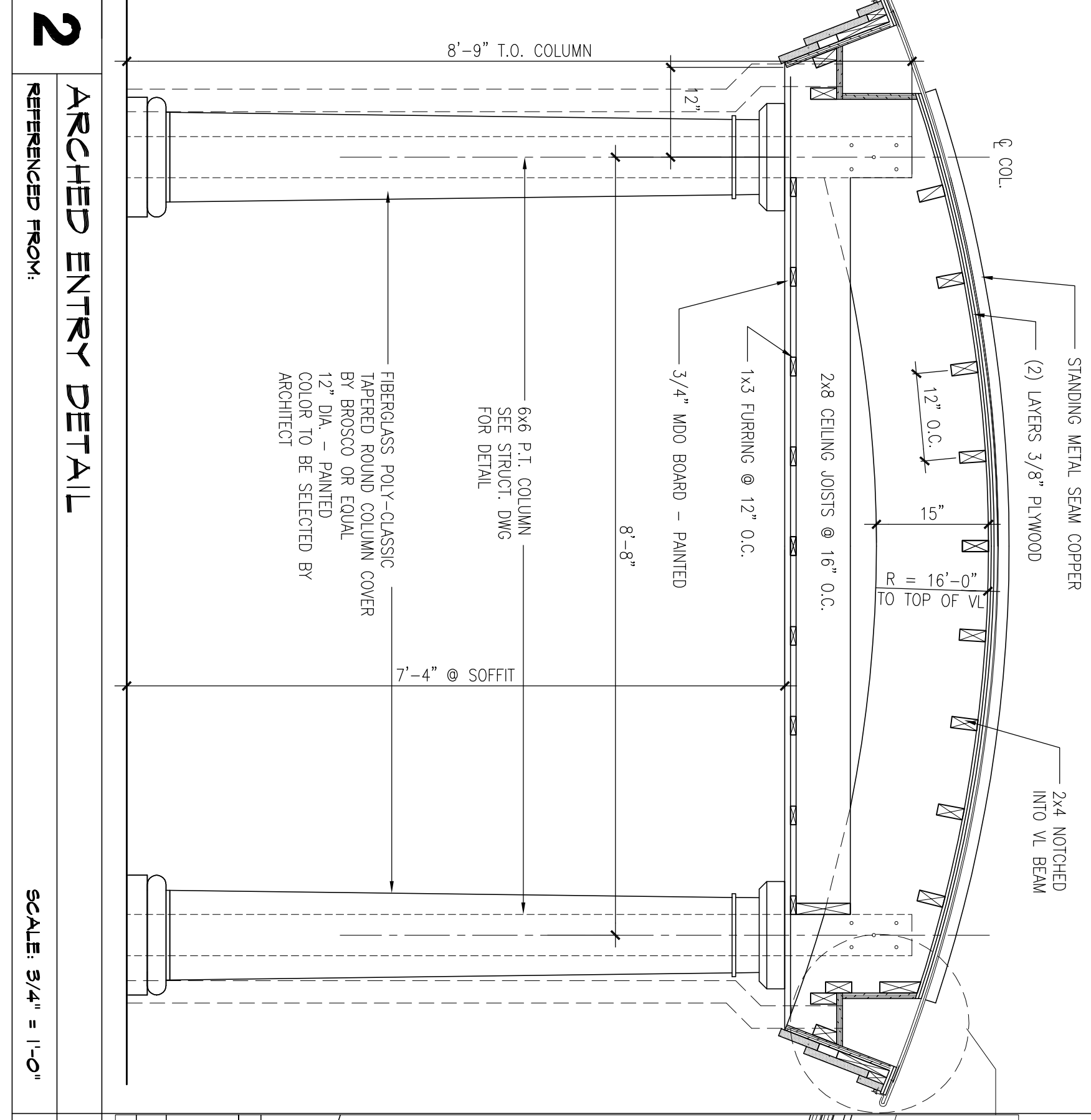
**3 FLAT ROOF DETAIL**  
 REFERENCED FROM:

SCALE: 1 1/2" = 1'-0"



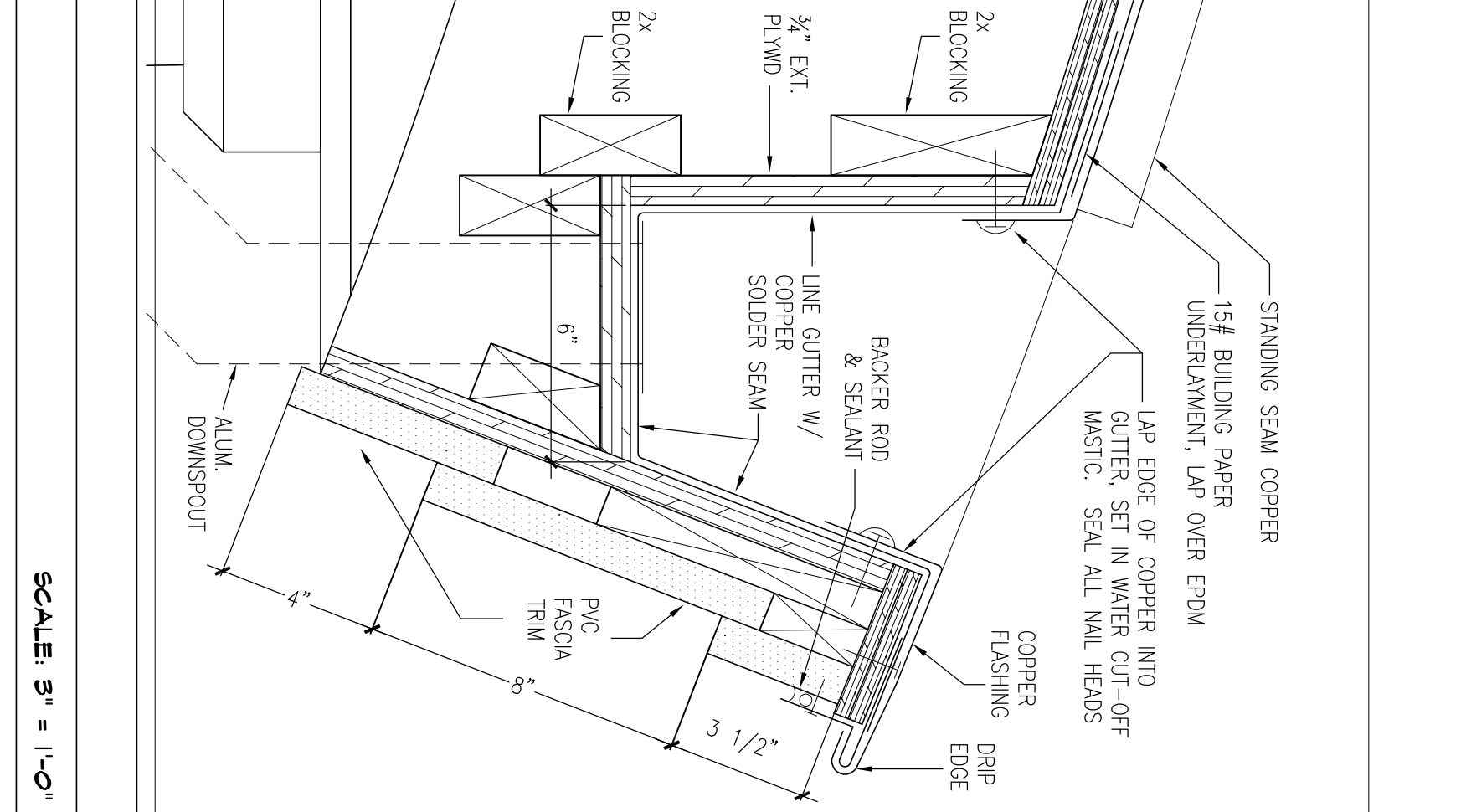
**1 ARCHED ENTRY DETAIL**  
 REFERENCED FROM:

SCALE: 3/4" = 1'-0"

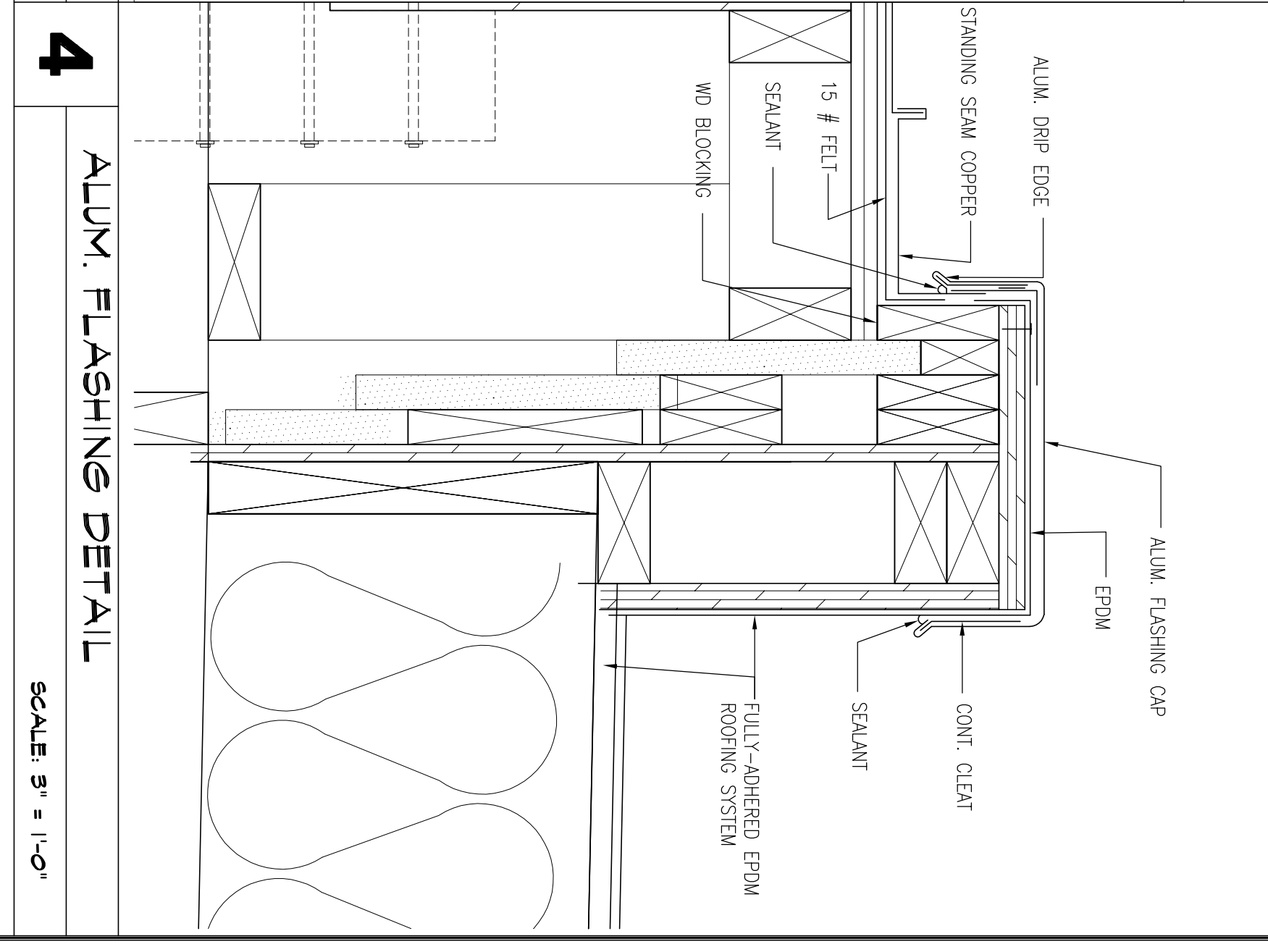


**2 ARCHED ENTRY DETAIL**  
 REFERENCED FROM:

SCALE: 3/4" = 1'-0"



SCALE: 3" = 1'-0"



**4 ALUM. FLASHING DETAIL**  
 REFERENCED FROM:

SCALE: 3" = 1'-0"

**CWS Architects**  
 Architect  
 Space Planning  
 Value Design  
 434 Cumberland Avenue  
 Portland, ME 04101  
 Phone: (207)774-4411  
 Fax: (207)774-4016  
 www.CWSarch.com

**FORE RIVER HOUSING LP**  
 C/O MESTA  
 307 CUMBERLAND AVE  
 PORTLAND, MAINE 04101  
 Owner  
 Client

**FORE RIVER APARTMENTS**  
 63 Frederic Street  
 Portland, Maine  
 Project No: 04416 FRA  
 Drawing Title: BUILDING SECTIONS AND DETAILS  
 Scale: AS NOTED  
 Date: 2/21/2005  
 Revisions:  
 Drawing Numbers  
**A5.3**