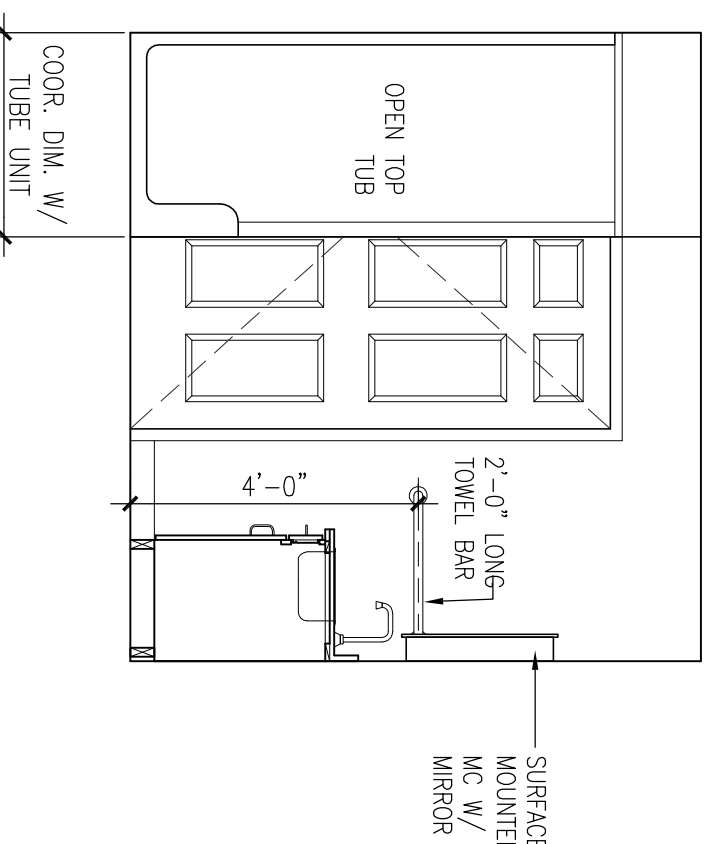
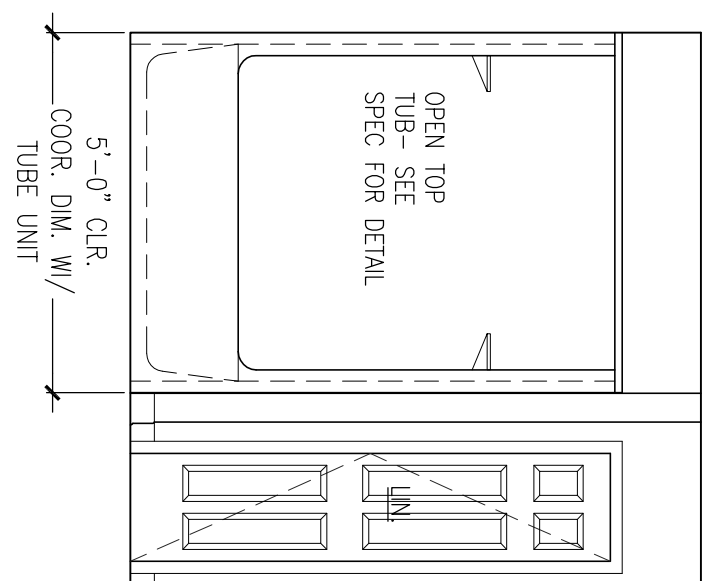
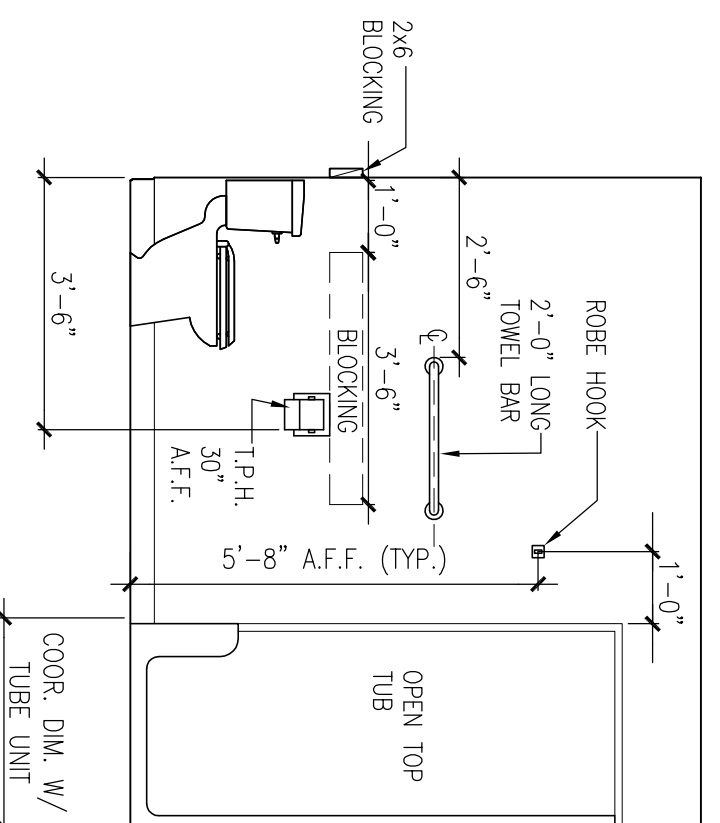
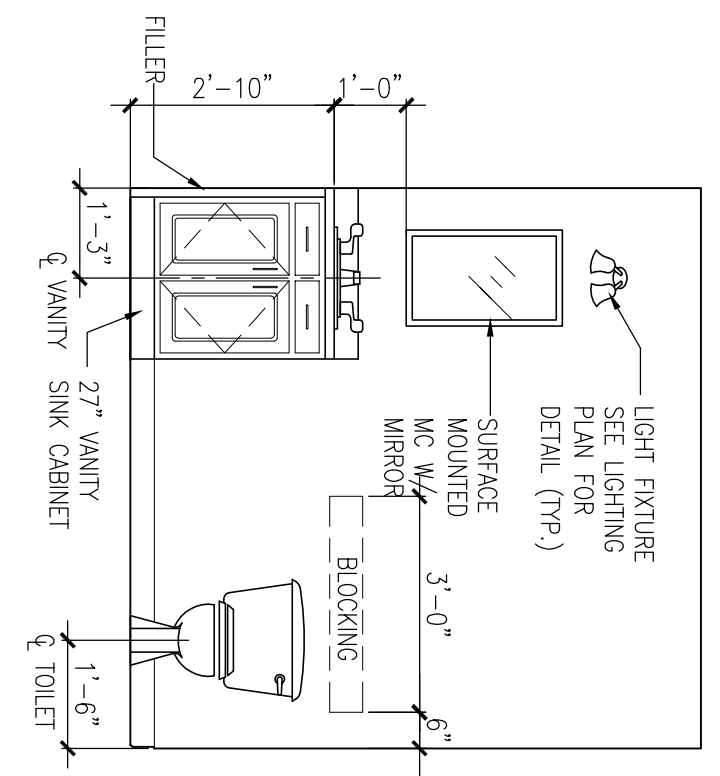


1 INTERIOR ELEVATION - BATHROOM TYPE "A" & "D"

REFERENCED FROM:

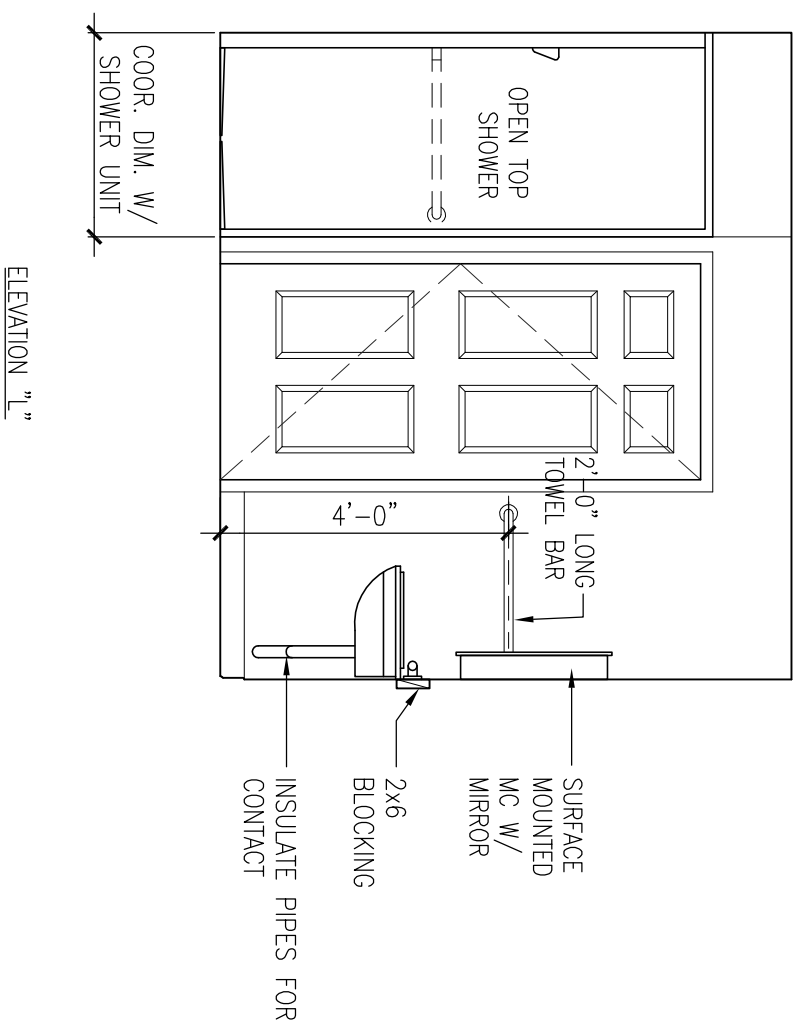
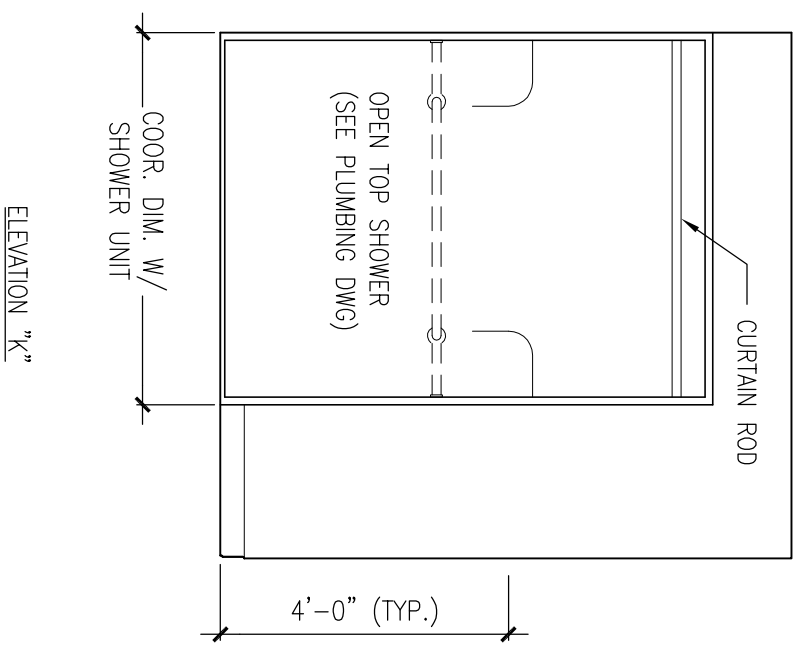
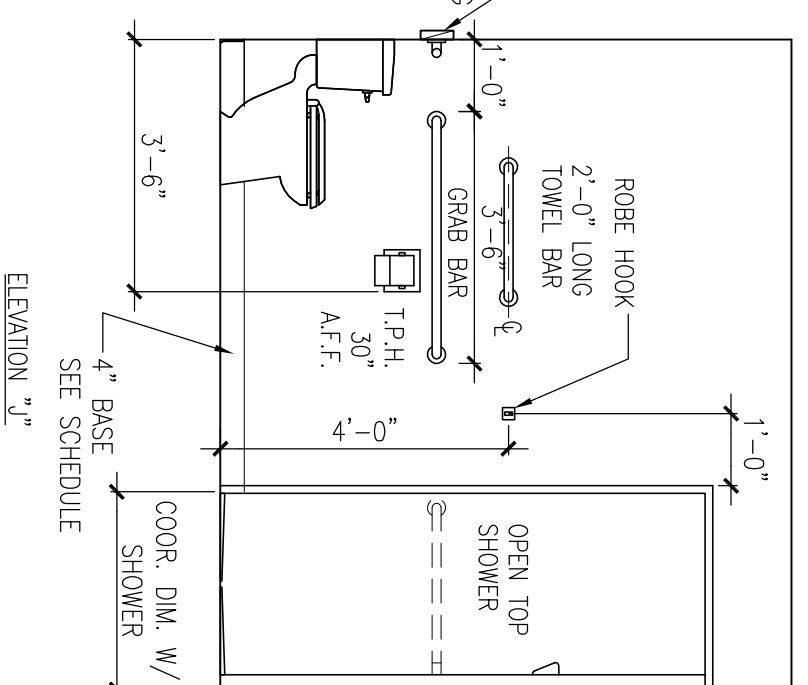
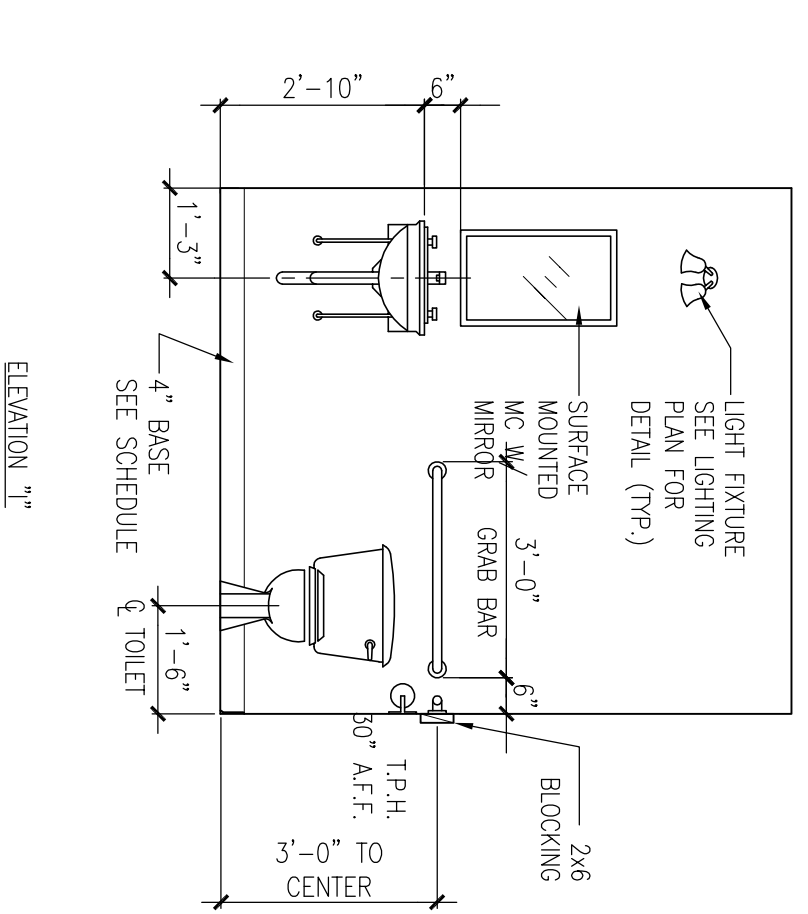
SCALE: 3/8" = 1'-0"



2 INTERIOR ELEVATION - BATHROOM TYPE "B"

REFERENCED FROM:

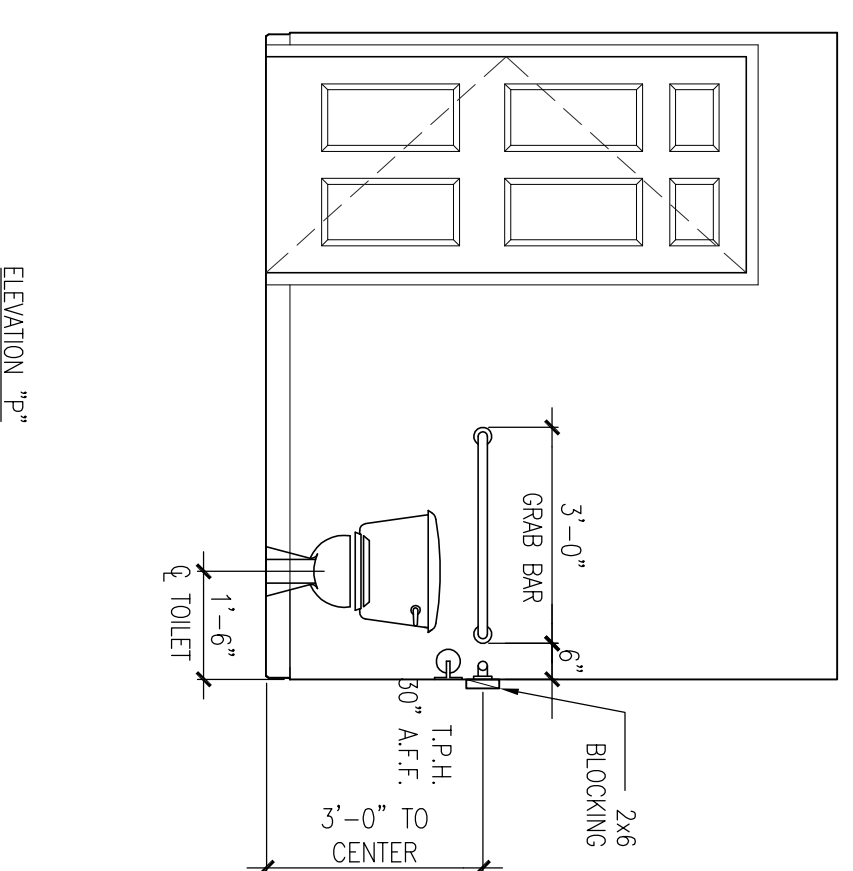
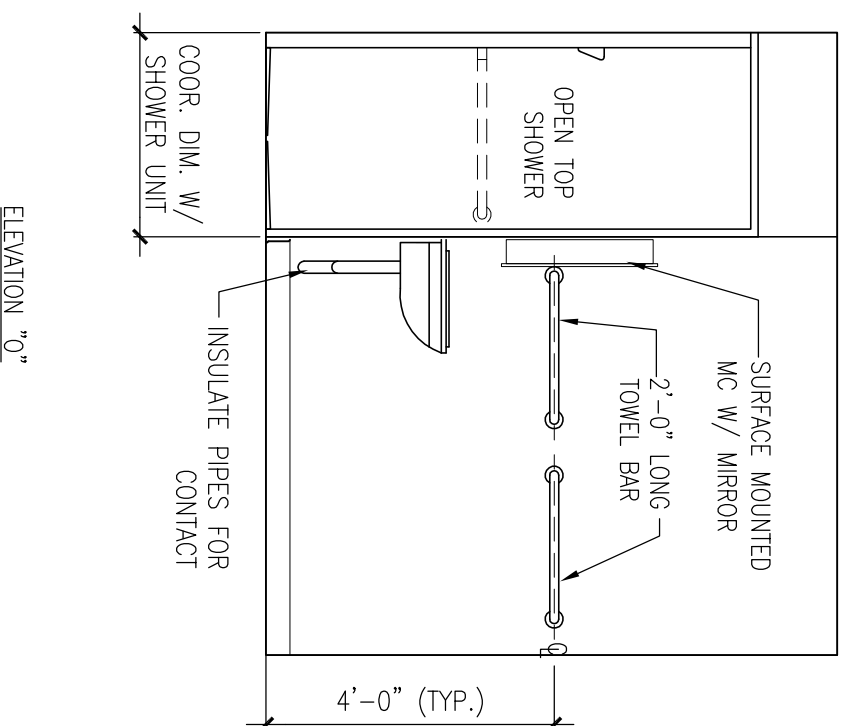
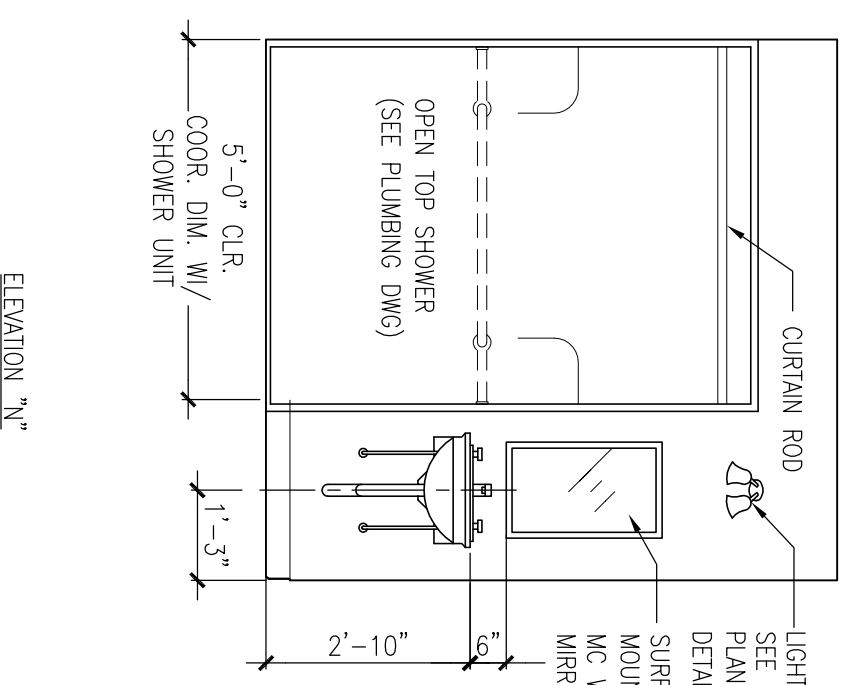
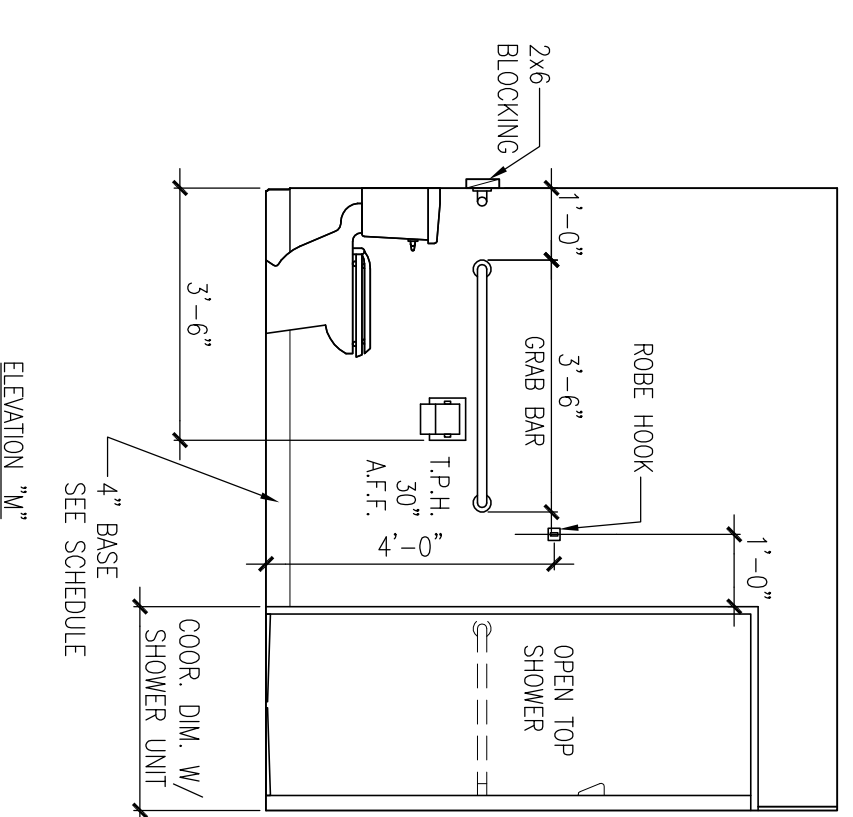
SCALE: 3/8" = 1'-0"



3 INTERIOR ELEVATION - H.C. BATHROOM TYPE "C"

REFERENCED FROM:

SCALE: 3/8" = 1'-0"



4 INTERIOR ELEVATION - H.C. BATHROOM TYPE "E"

REFERENCED FROM:

SCALE: 3/8" = 1'-0"



CWS Architects
 Architectural
 Space Planning
 Value Design
 434 Cumberland Avenue
 Portland, ME 04101
 Phone: (207)774-4441
 Fax: (207)774-4018
 www.CWSarch.com

Owner:
FORE RIVER HOUSING LP
 C/O MESTIA
 307 CUMBERLAND AVE
 PORTLAND, MAINE 04101

Project No: 04416 FRA
 Drawing Title:
INTERIOR ELEVATION BATHROOMS

Scale: AS NOTED
 Date: 2/21/2005
 Revisions:

Drawing Numbers:
A4.2