

Safety Devices

- Flame rod detects flame failure; results in auto shutdown to prevent escape of gas
- Bi-metal switch, thermal fuse, and thermistor detect overheat condition; results in auto shutdown
- 3 amp fuse protects against power surge; results in auto shutdown
- Abnormal spark at time of ignition results in auto shutdown
- Combustion fan purges any gas from the combustion chamber before ignition
- Convection fan continues to run after burner shutdown to cool internal parts
- Child lock prevents inadvertent operation
- Appliance shuts down if room reaches 104° F (40° C)

Venting

concentric; 3 1/8 inch (80 mm) wall hole

Maximum Vent Length

13 feet (4 m) with a maximum of 2 bends; maximum 10 feet (3 m) vertically

Wall Thickness and Flue Manifold Kits

(the "A" vent kit is included with the appliance)

Name	Kit No.	fits walls
S Vent Kit	FOT-150	3 - 4 1/2 in (75 - 115 mm)
A Vent Kit	FOT-151	4 1/2 - 9 1/2 in (115 - 240 mm)
B Vent Kit	FOT-152	9 1/2 - 15 3/4 in (240 - 400mm)
C Vent Kit	FOT-153	15 3/4 - 23 5/8 in (400 - 600 mm)
D Vent Kit	FOT-154	23 5/8 - 31 1/2 in (600 - 800 mm)

Warranty

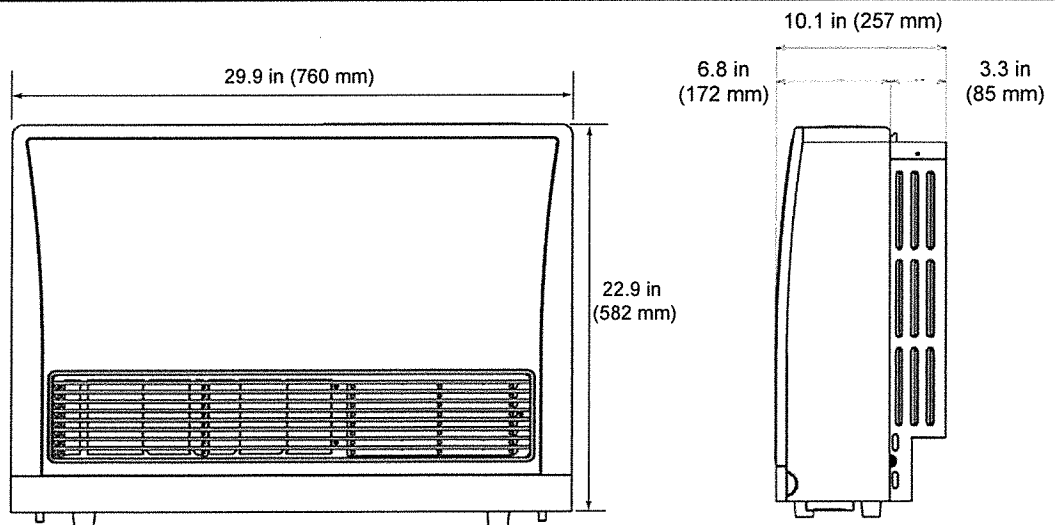
Labor: 2 years; Parts: 5 years; Heat Exchanger: 10 years

Conversion Kit

To natural gas: 204000036 To propane gas: 204000040

Rinnai is continually updating and improving products; therefore, specifications are subject to change without prior notice. Local, state, provincial and federal codes must be adhered to prior to installation.

DIMENSIONS



Type of Appliance	Direct vent wall furnace suitable for homes, apartments, and condominiums, residential or commercial setting; modular/mobile home approved; forced combustion, forced convection	
Rinnai Model Number	RHFE-559FTA-A-N (Natural gas) RHFE-559FTA-A-P (Propane)	
Gas Rate Input (BTU/hour)	Low - 8,200 High - 21,500	Low - 8,200 High - 20,700
Gas Rate Output (BTU/hour)	Low - 6,560 High - 17,200	Low - 6,560 High - 16,560
AFUE Rating	81%	82%
Minimum Gas Supply Pressure	3.5 in (89 mm) W.C.	8 in (203 mm) W.C.
Maximum Gas Supply Pressure	10.5 in (267 mm) W.C	13 in (330 mm) W.C.
Electrical Connection	AC 120V, 60 Hz, 56 watts	
Gas Connection	1/2 inch NPT	
Combustion System	Stainless steel Bunsen burners	
Ignition System	Electronic spark ignition	
Fan CFM Output	Low: 110.5	High: 162.7
Temperature Settings	Low (LO): minimum combustion 60° - 80° F in 2° increments High (HI): maximum combustion	
Temperature Control	<ul style="list-style-type: none"> • Electronic thermostat • Temperature limiting program to comply with Inside Design Temperature limits 	
Humidifier Tray	Enameled tray with capacity of 2.1 pints (1000 cc)	
Weight	Approximately 57 lbs (26 kg)	
Clearance from Combustibles	Side: 2 inches (50 mm), Top: 0 inches (0 mm), Front: 40 inches (1 m)	
Noise Level	33 - 42 dB(A)	
Warm Air Outlet	Bottom front louvers	

FEATURES

Restart capability:	restarts automatically when ignition or combustion fails
Timer Settings:	starts and turns off the heater at 2 timer settings
Seven-stage modulating gas valve:	provides precise gas flow by operating from one to seven stages
Negative coefficient thermistor:	detects temperature change in 1/2 of a degree
Variable speed inducer motor with pressure switch:	monitors and controls combustion fan and allows the appliance to overcome winds of up to 40 mph
Self diagnostic electronics:	continually monitors functions; provides auto shutdown codes; indicates when air filter needs cleaning
Quiet operation:	reduces noise through use of swept blades in convection fan; quiet expansion / contraction of parts due to temperature changes