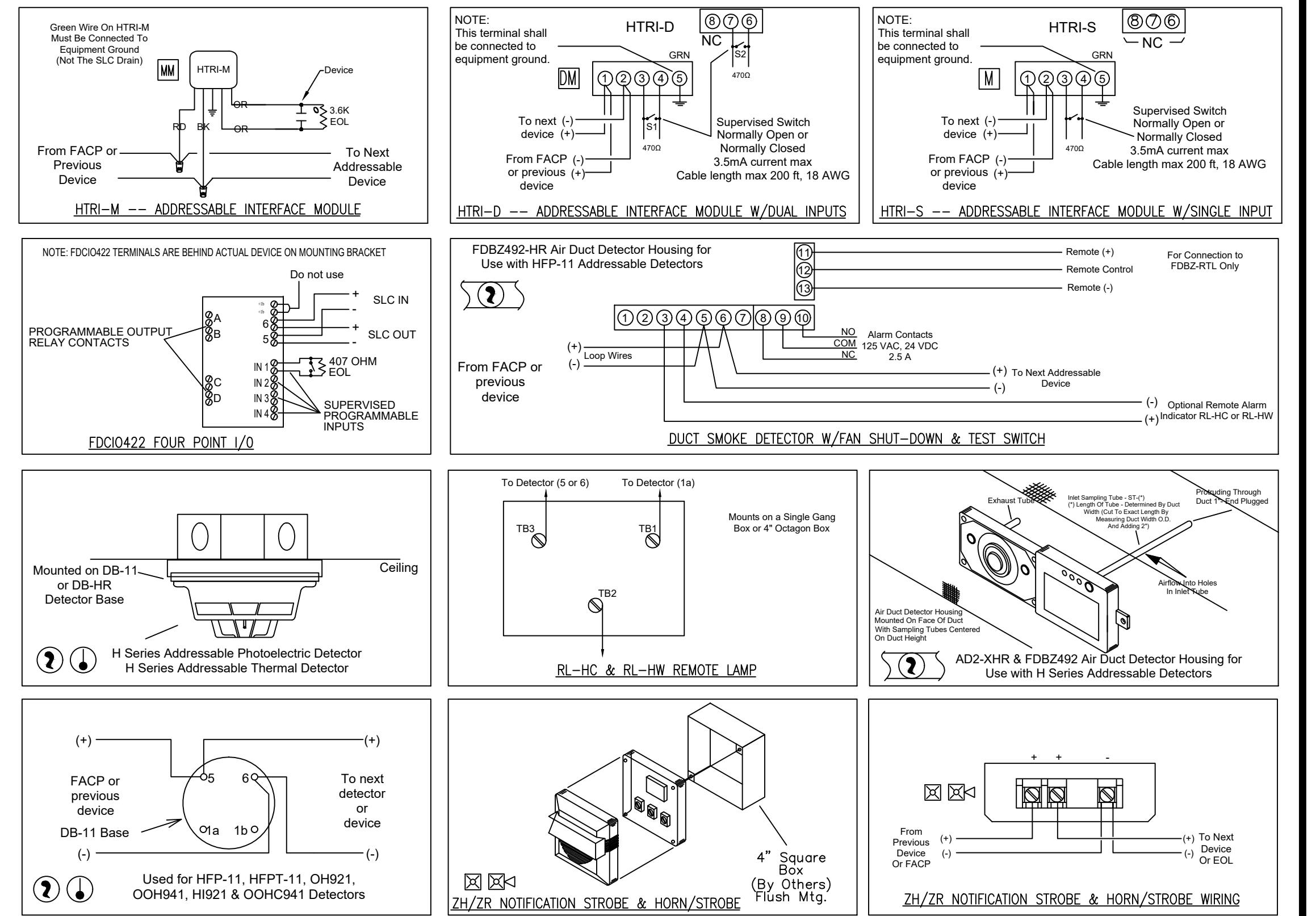
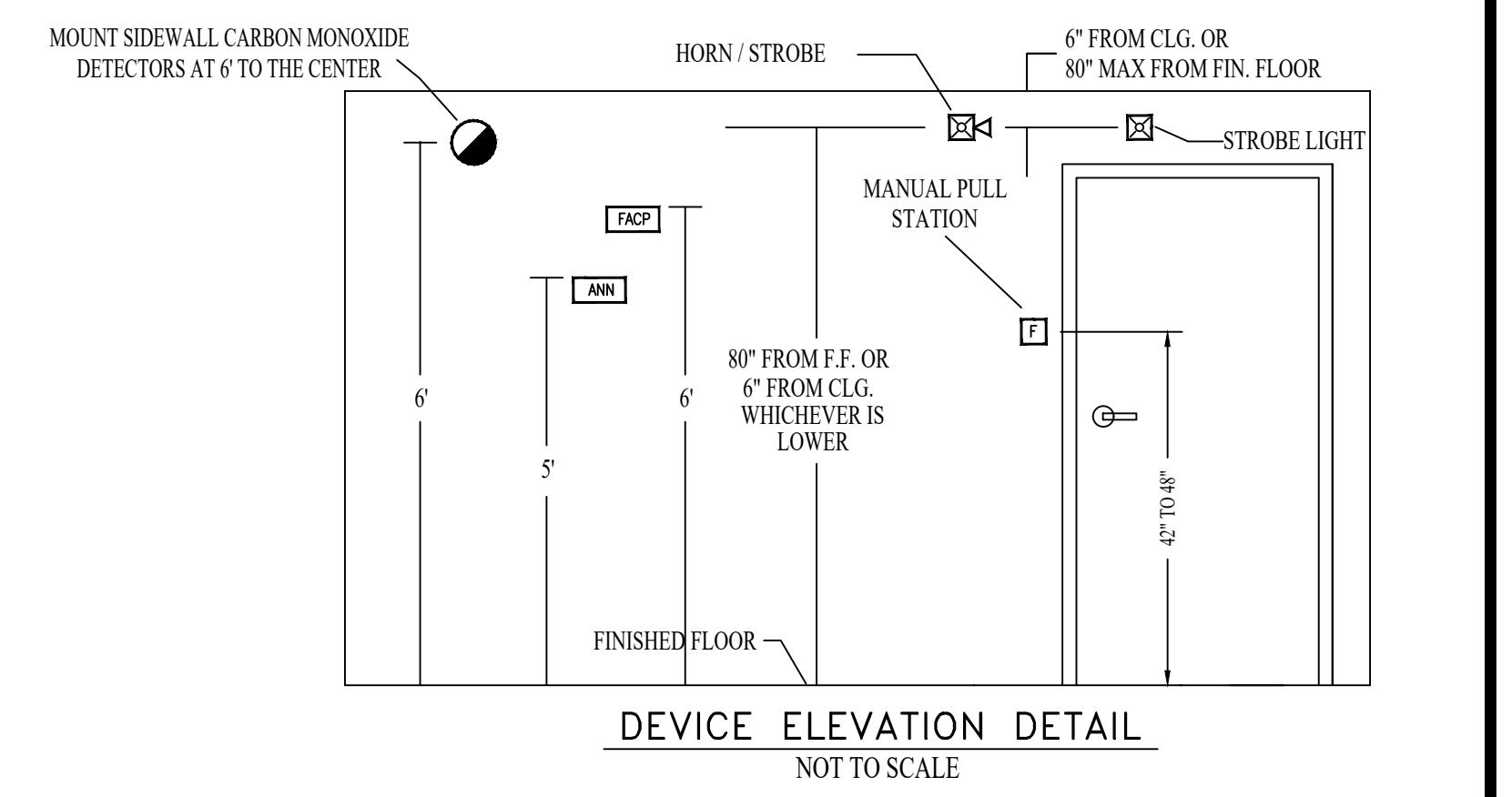


SYMBOL LEGEND			
ITEM NO.	SYMBOL	QTY. TOTAL	DESCRIPTION
1	○	10	STANDARD BASE (DB-11) - OCTAGON BOX
2	⦿	1	HEAT DETECTOR (H921) - MOUNTS ON DB-11
3	□	3	LINE ISOLATOR (HUM) - 4" SQUARE
4	DM	1	DUAL MONITOR MODULE (HTRI-D) - 4" SQUARE
5	M	3	MONITOR MODULE (HTRI-S) - 4" SQUARE
6	P	9	PULL STATION (MSM-KD/HTRI-M) - SINGLE GANG
7	RM	4	INPUT/OUTPUT MODULE (HTRI-R) - 4" SQUARE
8	⊗	9	SMOKE DETECTOR (OH921) - MOUNTS ON DB-11
9	XX	53	HORN/STROBE (2H-MC-R) - SINGLE GANG OR 4" SQUARE
10	XX	88	STROBE (2R-MC-R) - SINGLE GANG OR 4" SQUARE
11	ANN	1	ANNUNCIATOR (FT-2015)
12	FACP	1	FIRE ALARM CONTROL PANEL (FC-922)
13	NAC	3	NAC PANEL (PAD-4)



DEVICE WIRING DETAIL  
SCALE: N.T.S.



DEVICE ELEVATION DETAIL  
NOT TO SCALE

FIRE ALARM RISER DIAGRAM  
SCALE: N.T.S.

DATE	REVISIONS	REQUIRED APPROVALS	<b>MAINE EYE CARE</b> 15 LOWELL ST PORTLAND, ME 04102 CONTRACT WITH: DEBLOIS ELECTRIC <b>EASTERN FIRE</b> <small>FIRE PROTECTION CONTRACTORS AND ENGINEERS</small> Home Office: 170 Exchange Ave., Auburn, ME 04210-1390 Satellite Office: 400 Barlow St., Bangor, ME 04401-207-842-8014	FIRE ALARM SYSTEM
		OWNER / ARCHITECT STATE FIRE MARSHAL LOCAL FIRE MARSHAL OWNERS INSURANCE CO.		PLANS & DETAILS
		DRAWN BY CRM		DWG. NO. FA-1
		CHECKED BY		JOB NUMBER 1-0583-FA-17
		CONTRACTOR LICENSE #	SCALE AS NOTED	DATE 8/24/17