

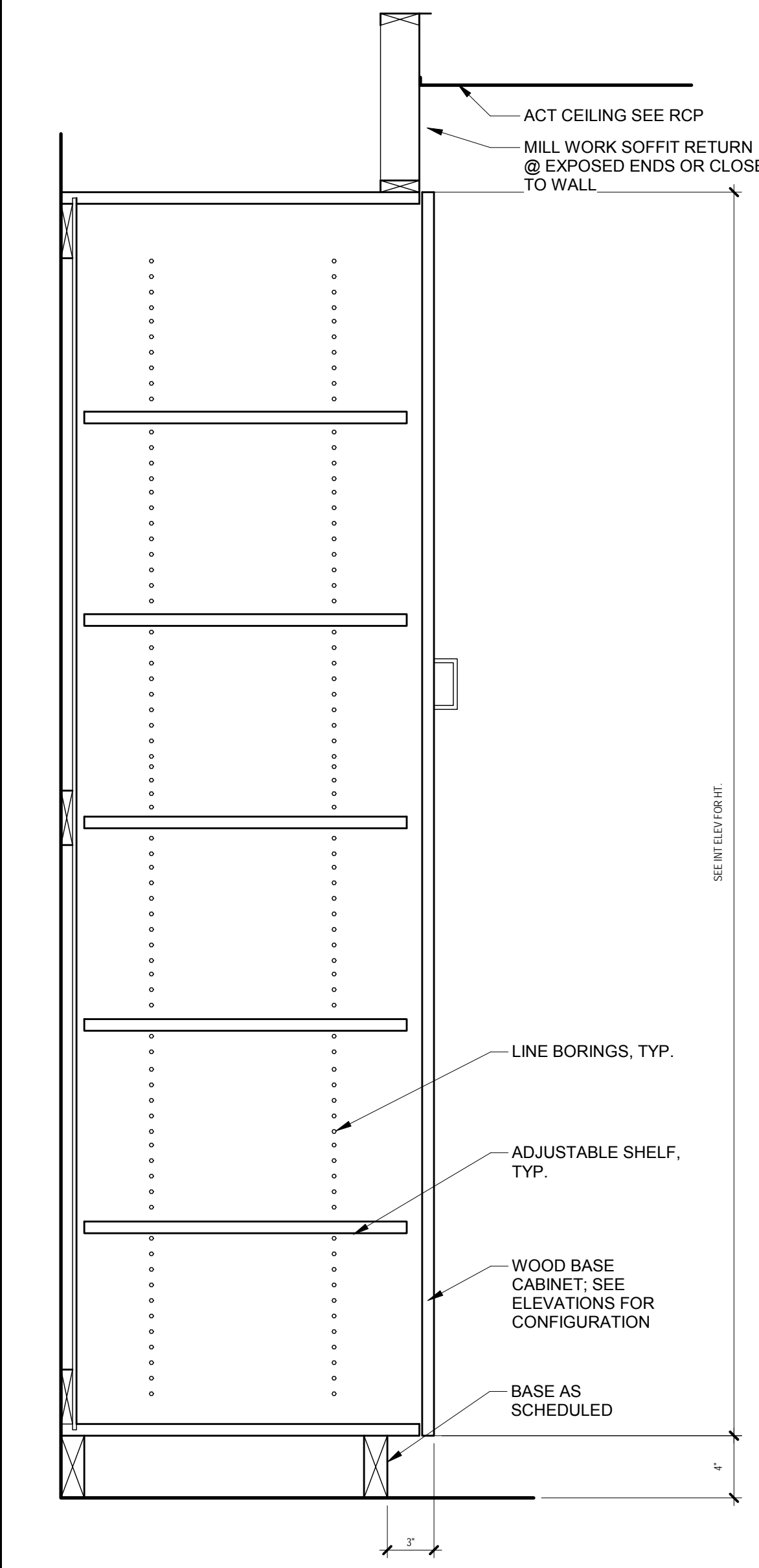
E

D

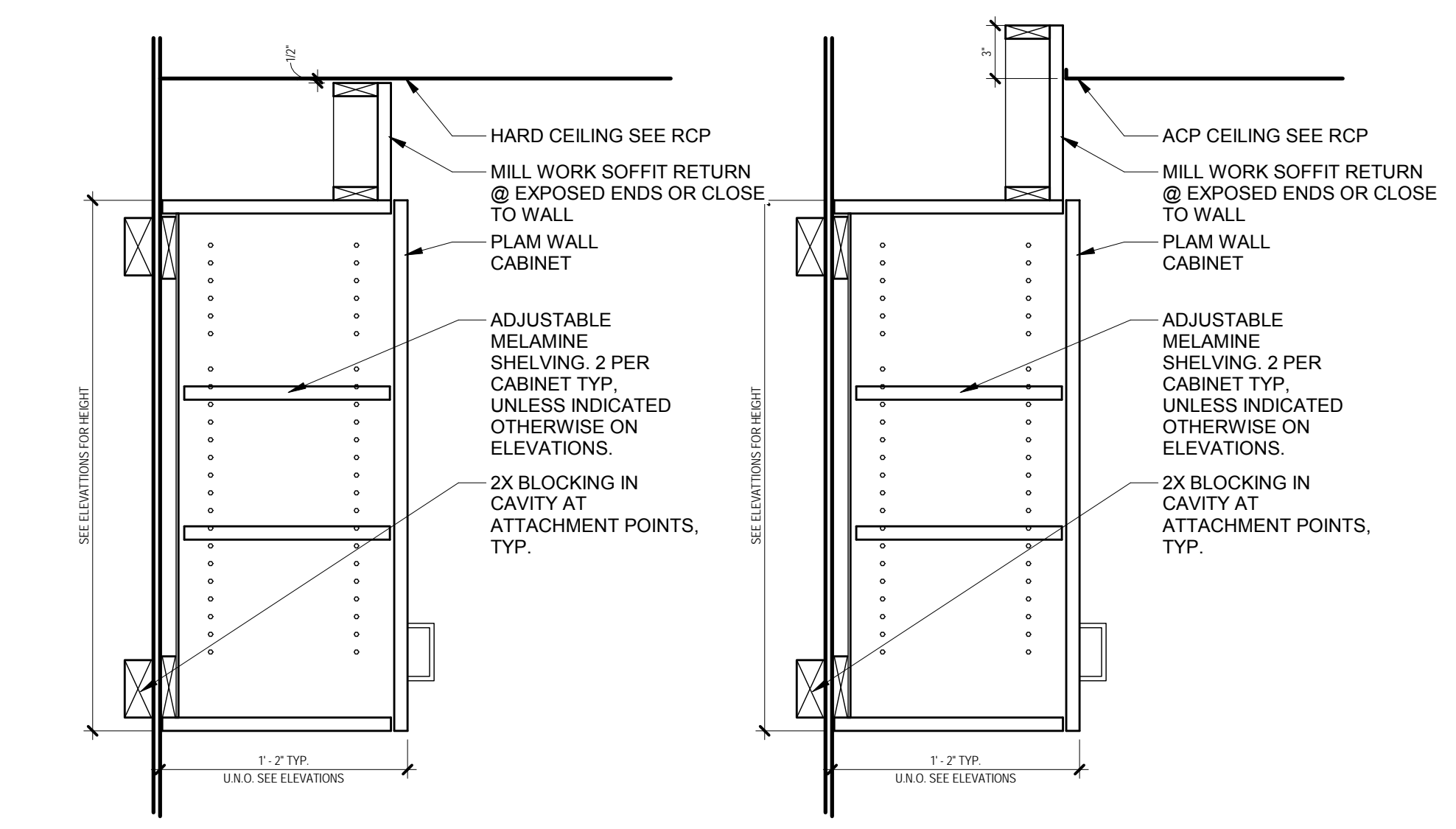
C

A

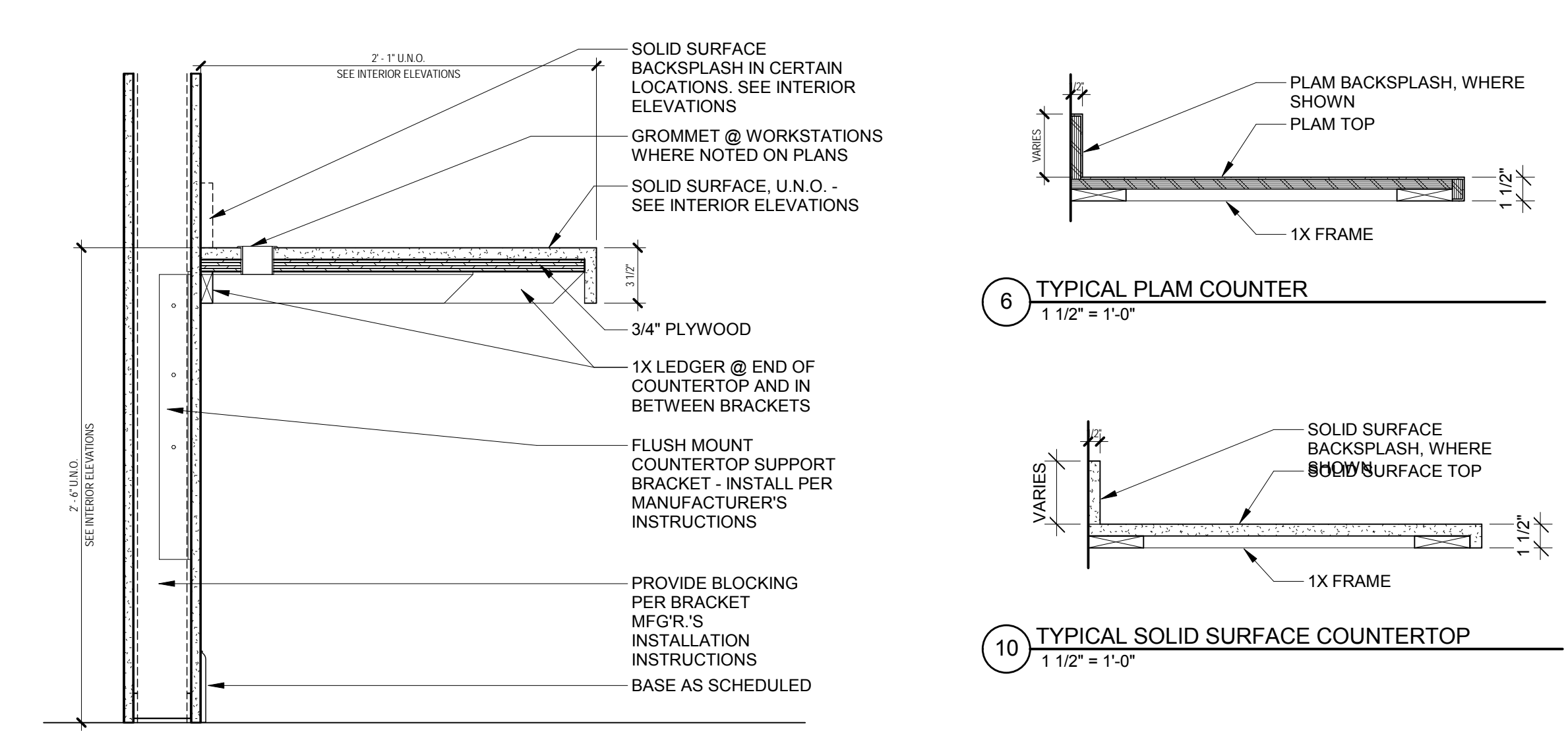
2



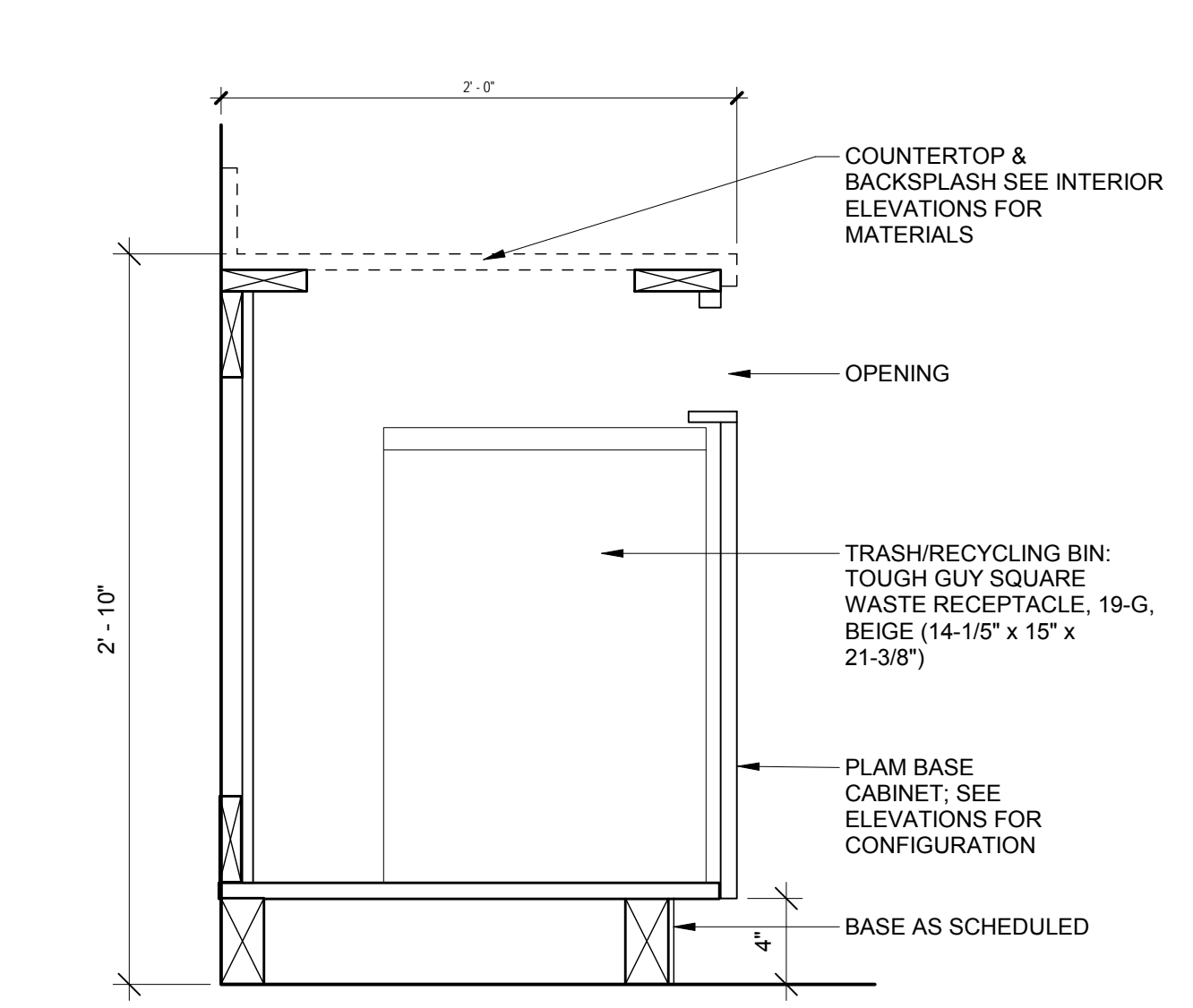
2 FULL HEIGHT CABINET
1 1/2" = 1'-0"



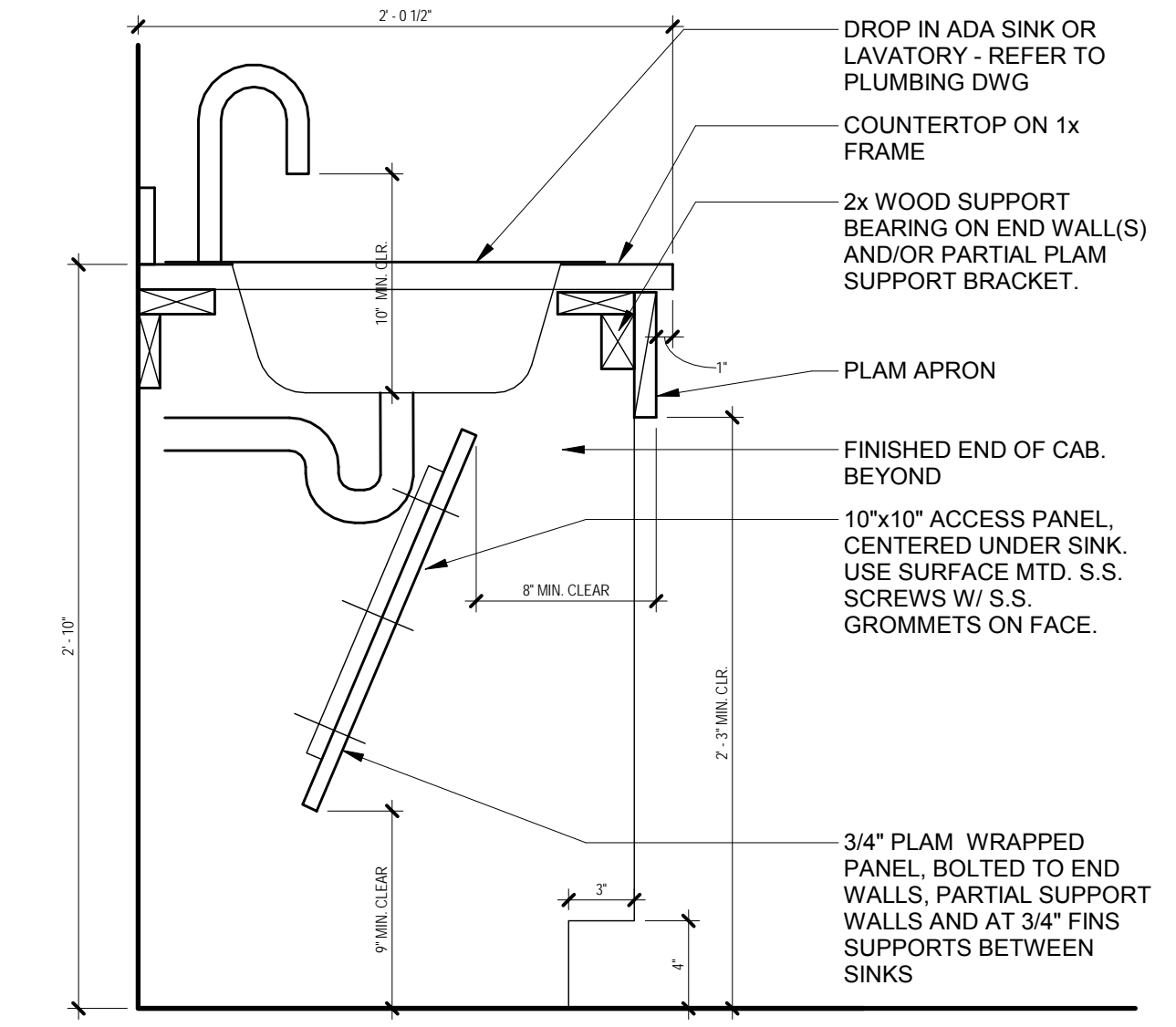
5 UPPER CABINET
1 1/2" = 1'-0"



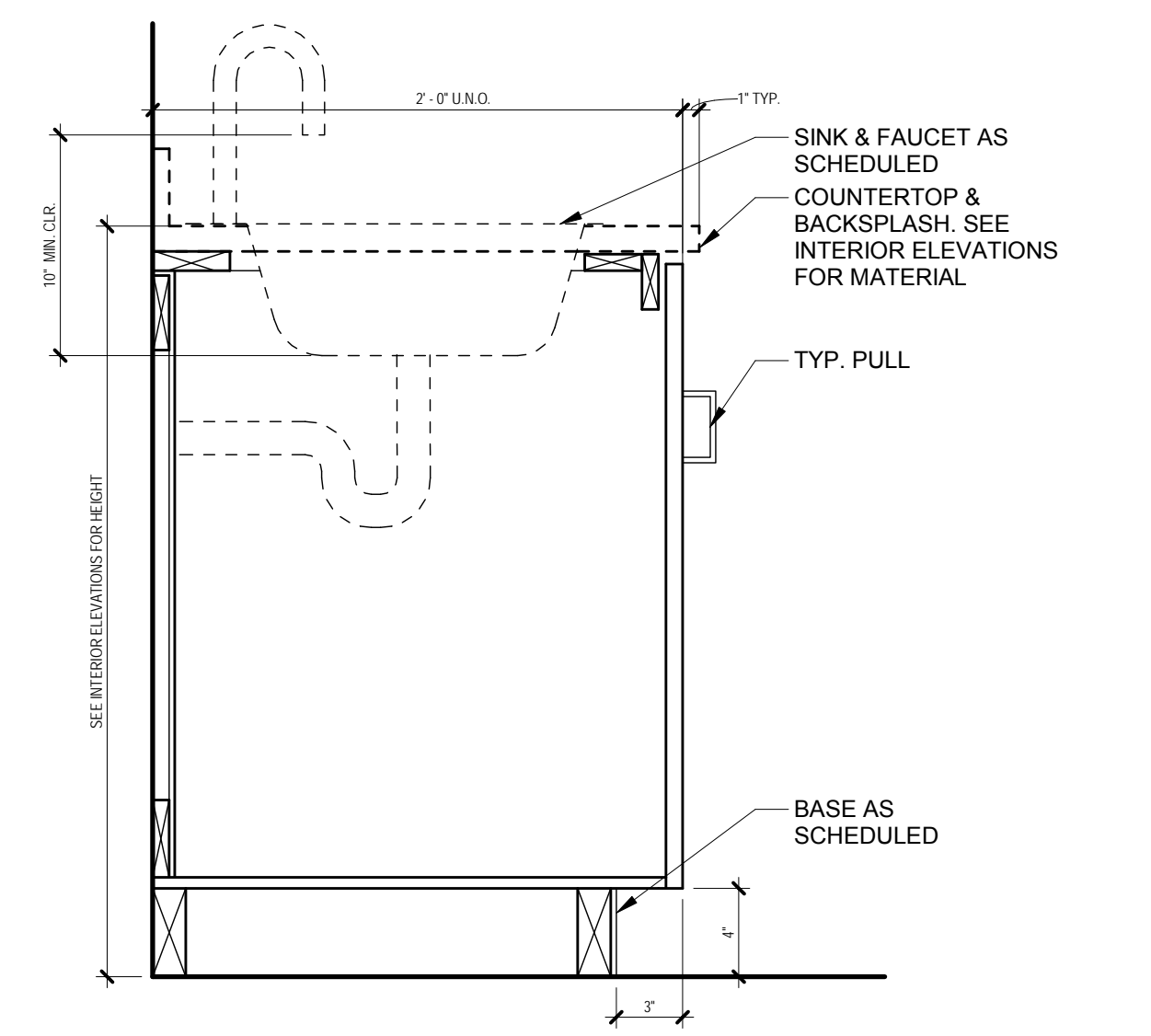
9 TYPICAL COUNTER
1 1/2" = 1'-0"



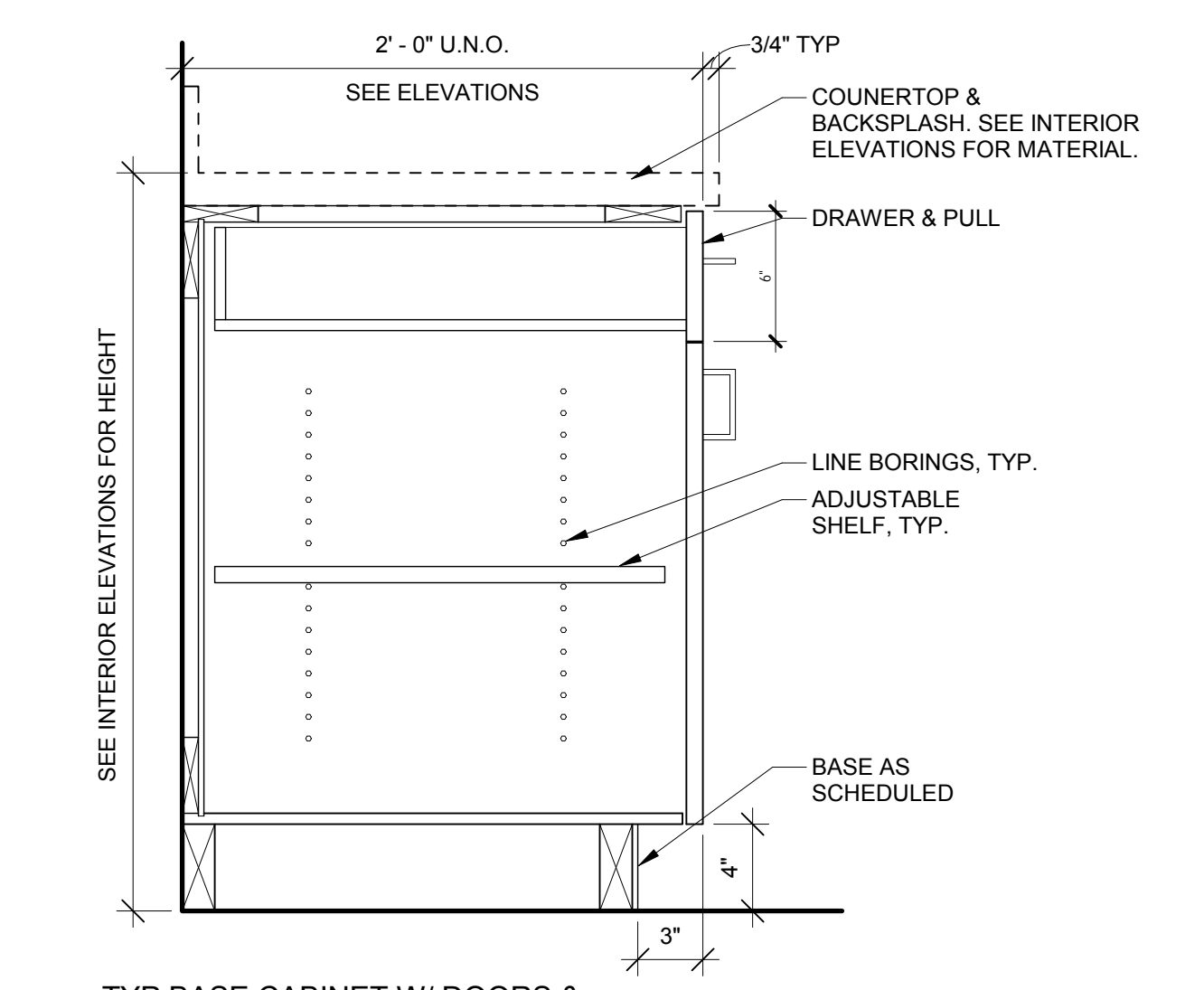
1 BASE CABINET - TRASH/RECYCLING
1 1/2" = 1'-0"



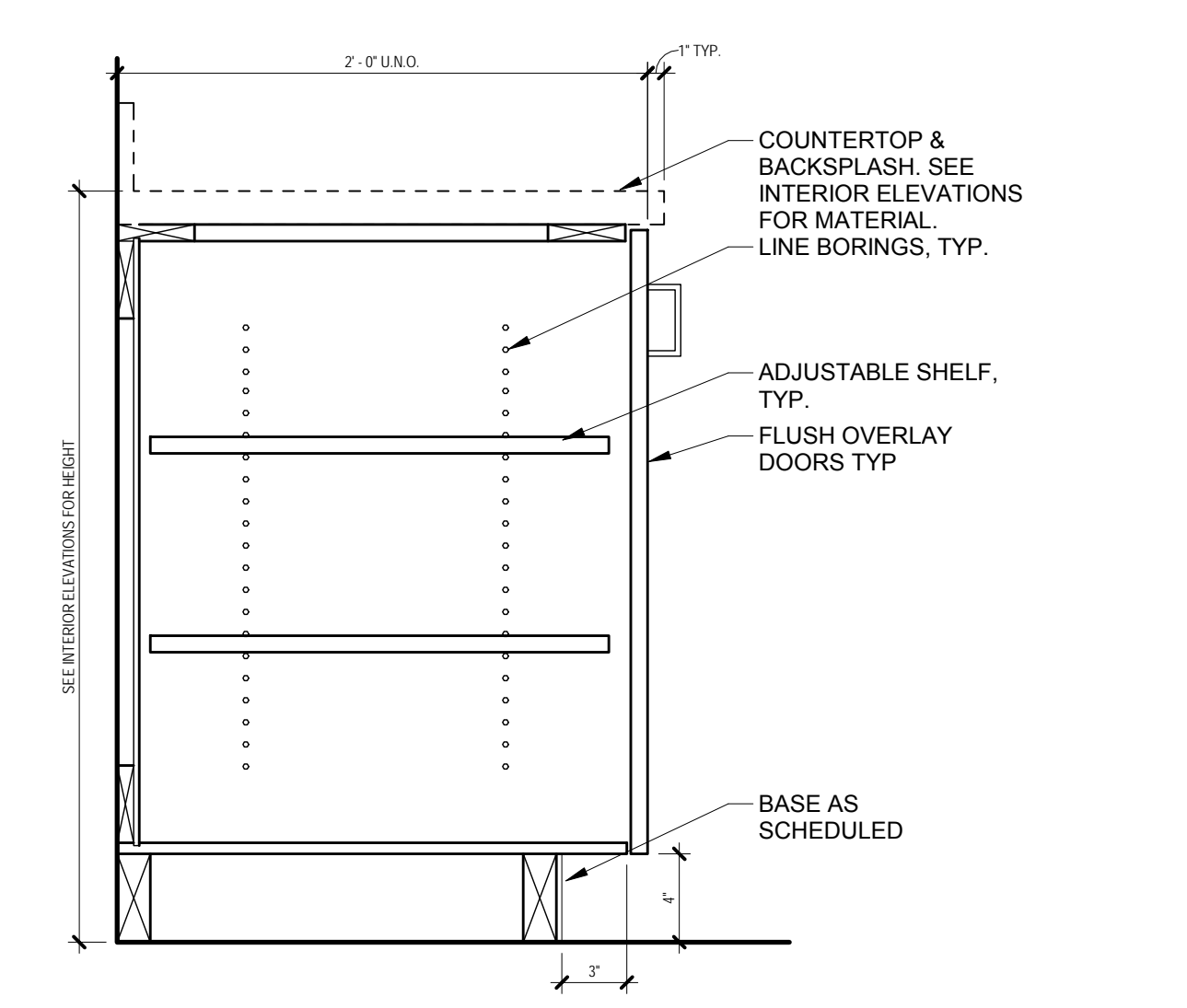
11 ACCESSIBLE SINK DETAIL
1 1/2" = 1'-0"



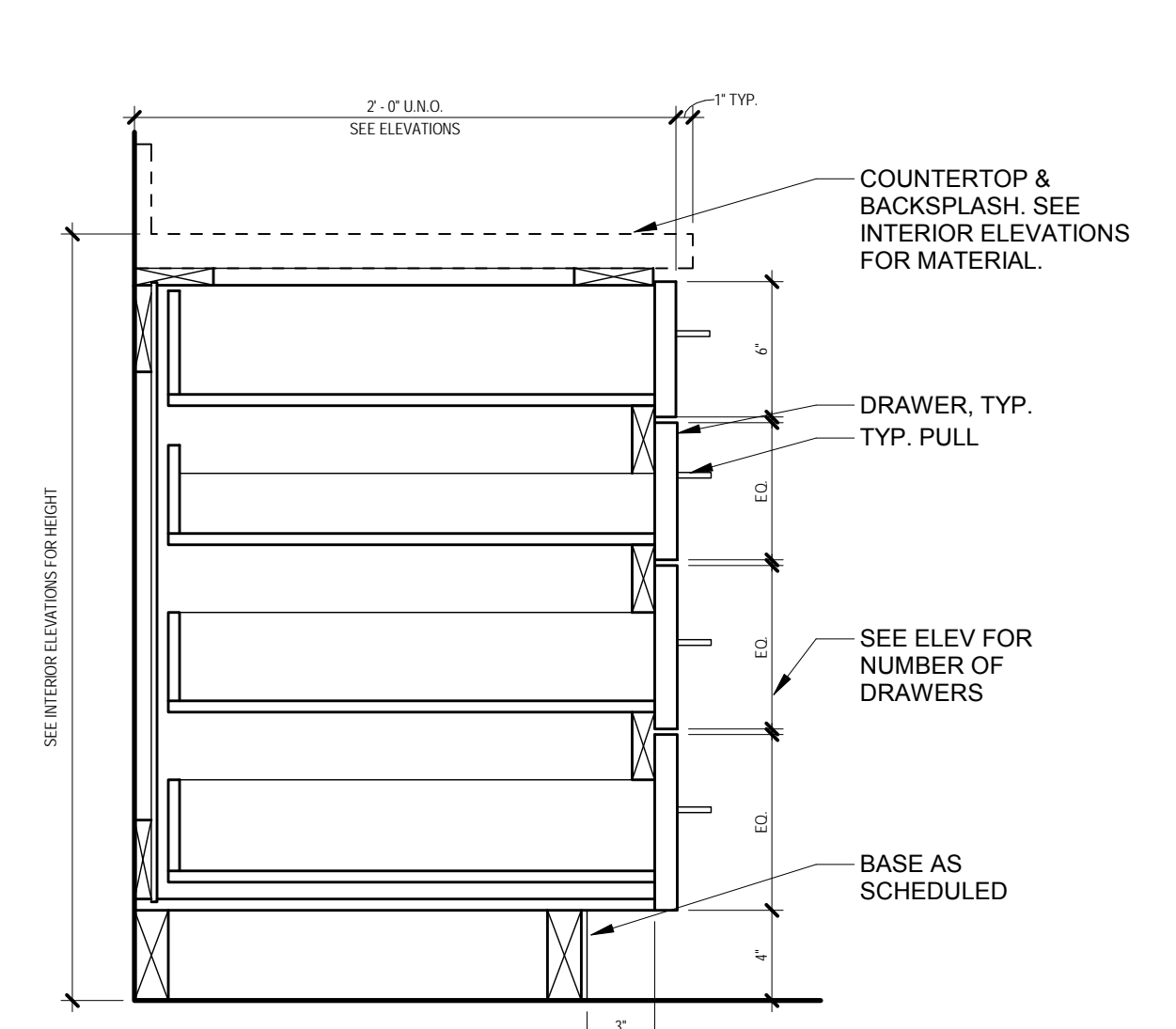
3 SINK BASE CABINET
1 1/2" = 1'-0"



8 TYP BASE CABINET W/ DOORS & DRAWER
1 1/2" = 1'-0"

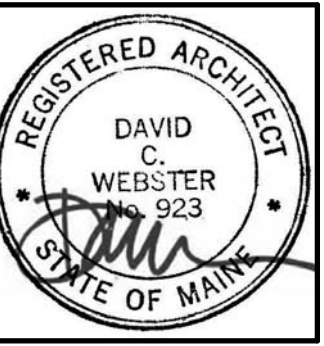


4 TYP BASE CABINET
1 1/2" = 1'-0"



7 TYP BASE CABINET WITH DRAWERS
1 1/2" = 1'-0"

#	Date	Description
Revision Schedule		



JOB NO.
16064

DRWN: CHK
Author Checker

SCALE:

ISSUE:
Permit Set

September 7, 2017

TITLE:
Typical Casework
Details

SHEET

A700