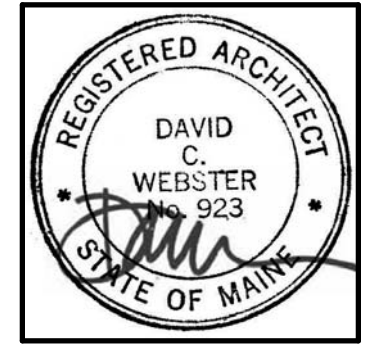


#	Date	Description
		Revision Schedule



JOB NO.  
16064

DRWN: CHK  
Author Checker

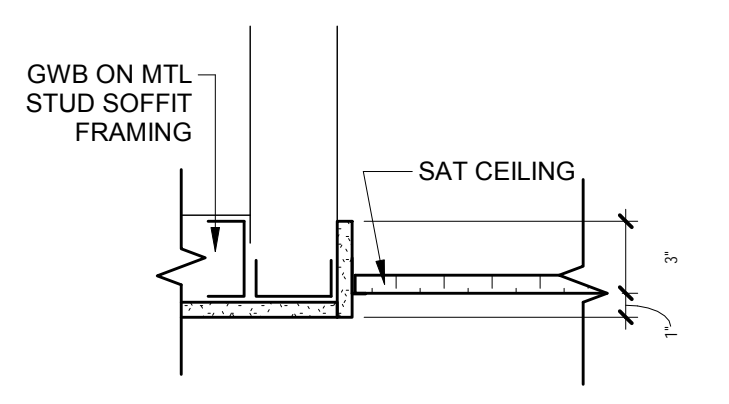
SCALE:

ISSUE:  
Permit Set

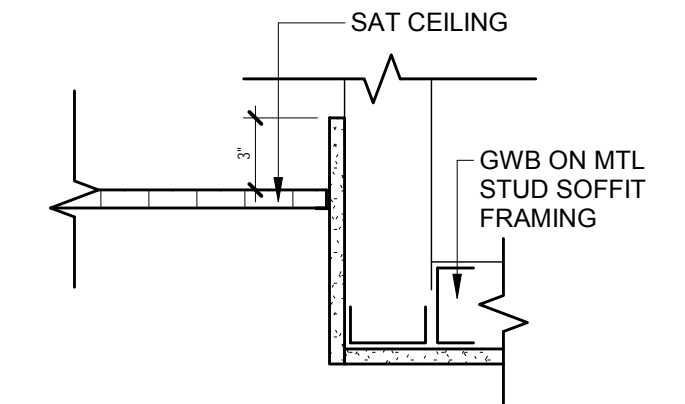
September 7, 2017

TITLE:  
Typical Interior  
Details

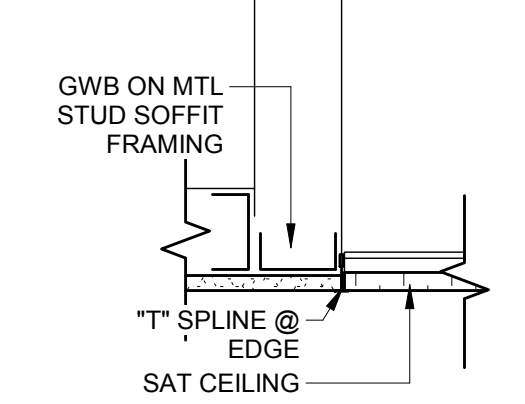
SHEET  
**A500**



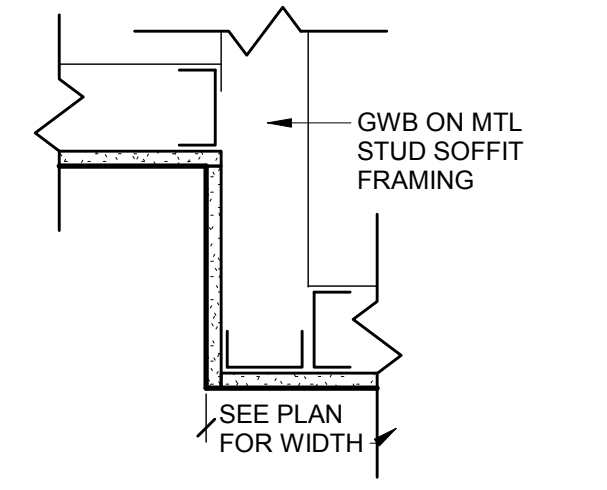
2 CEILING DETAIL - LOW SAT TO GWB  
1 1/2" = 1'-0"



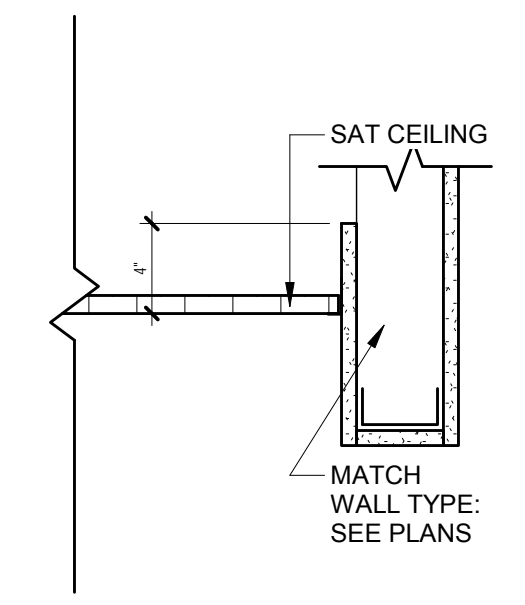
3 CEILING DETAIL - SAT TO GWB  
1 1/2" = 1'-0"



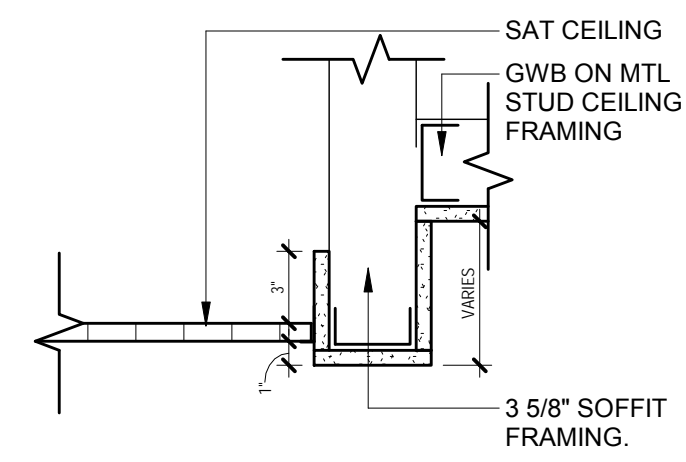
4 CEILING DETAIL - SAT TO GWB ALIGNED  
1 1/2" = 1'-0"



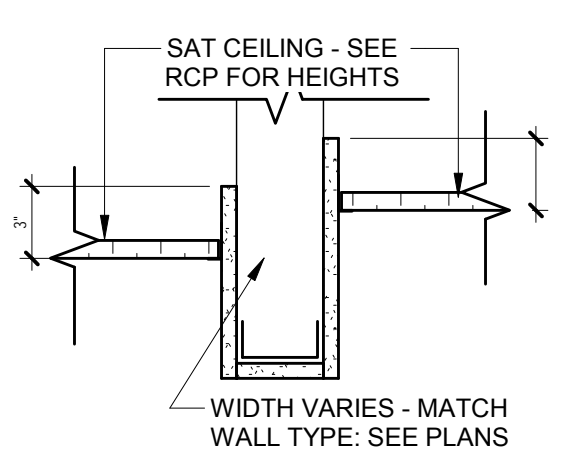
1 CEILING DETAIL - GWB TRANSITION  
1 1/2" = 1'-0"



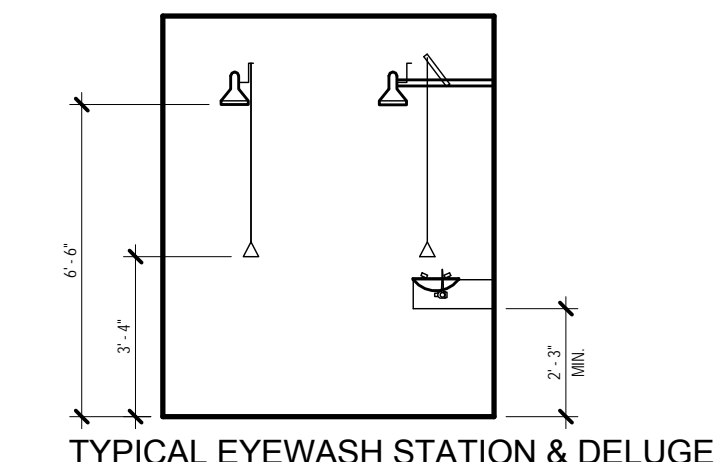
5 CEILING DETAIL - SAT TO GWB SOFFIT  
1 1/2" = 1'-0"



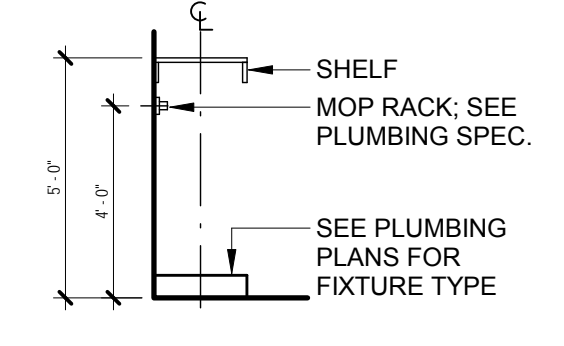
6 CEILING DETAIL - SAT TO GWB W/  
SOFFIT  
1 1/2" = 1'-0"



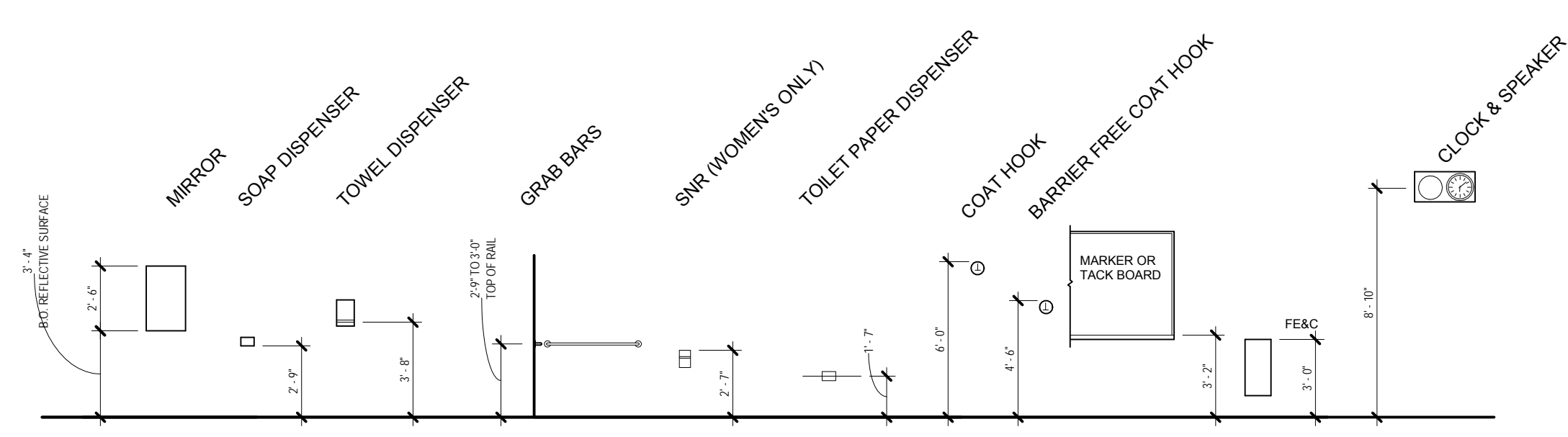
7 CEILING DETAIL - SAT W/ GWB SOFFIT  
1 1/2" = 1'-0"



13 TYPICAL EYEWASH STATION & DELUGE  
SHOWER  
1/4" = 1'-0"



14 TYPICAL JANITOR'S CLOSET ASSEMBLY  
ELEVATION  
1/4" = 1'-0"



8 TYPICAL MOUNTING HEIGHTS  
3/16" = 1'-0"

- MOUNTING HEIGHT GENERAL NOTES:**
- SEE MECHANICAL, ELECTRICAL, AND TECHNOLOGY DRAWINGS FOR SPECIFIC FIXTURE OR DEVICE LOCATION AND DESIGNATION AND ADDITIONAL MOUNTING REQUIREMENTS.
  - COORDINATE LOCATION OF ALL RECEPTACLES, FIXTURES OR DEVICES WITH INTERIOR ELEVATIONS AND CASEWORK LOCATIONS.
  - REFER TO MANUFACTURERS INSTRUCTIONS FOR SPECIFIC ADA REQUIRED MOUNTING HEIGHTS AS APPLICABLE.