

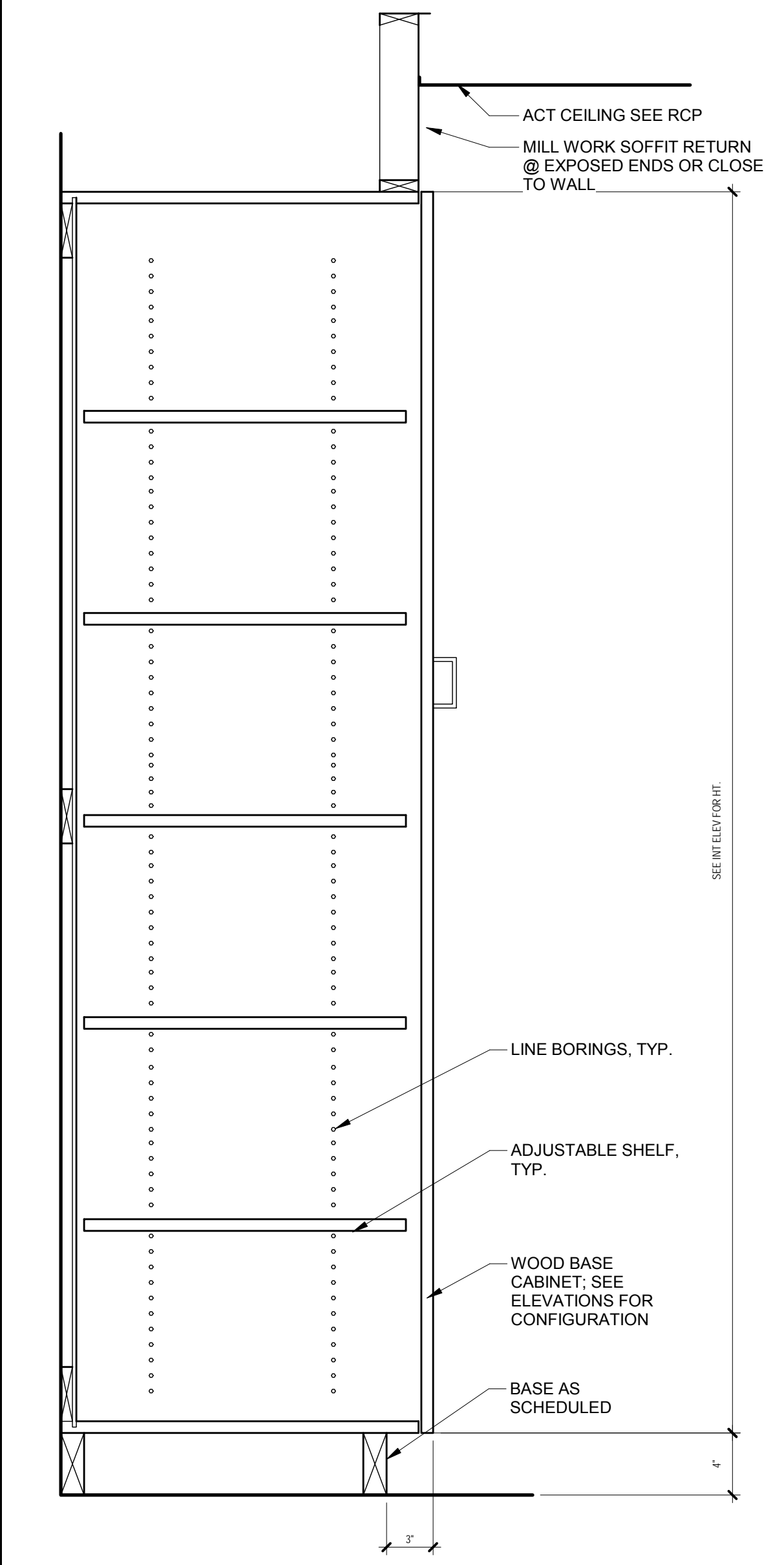
E

D

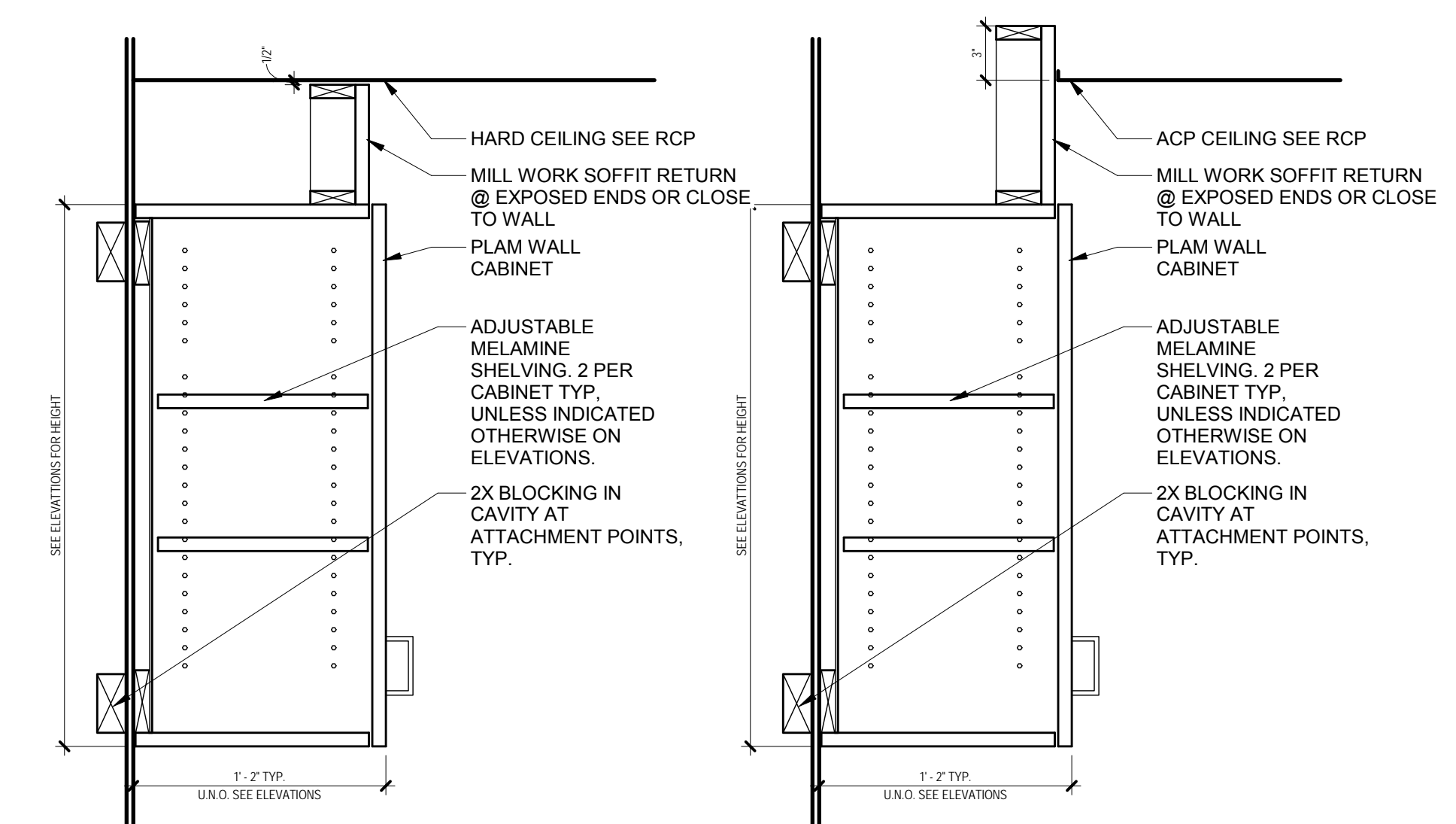
C

A

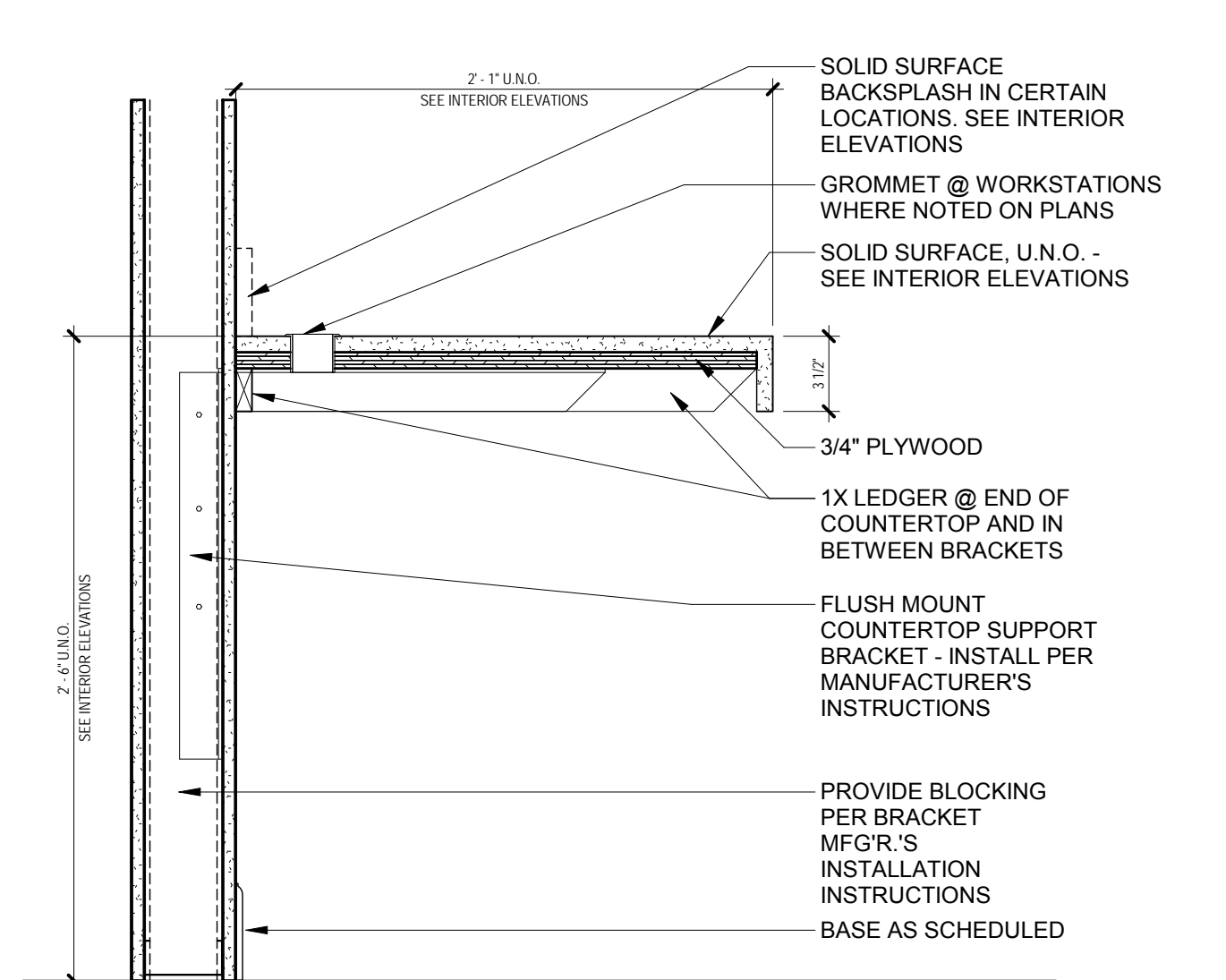
2



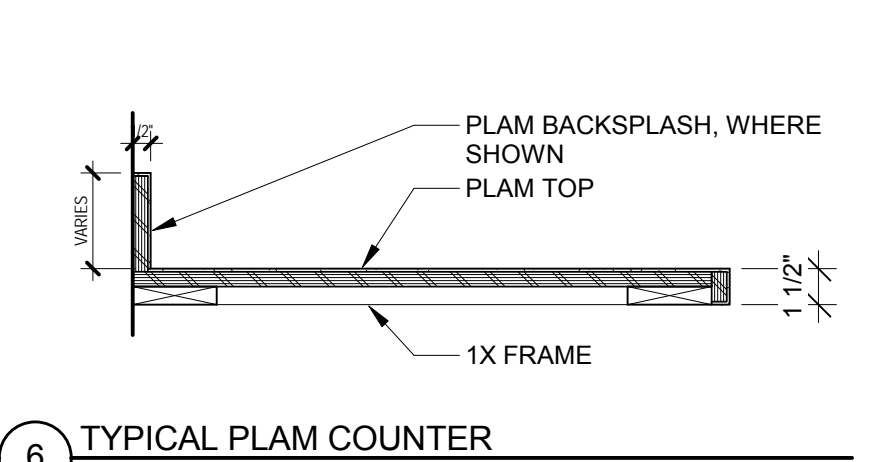
2 FULL HEIGHT CABINET
1 1/2" = 1'-0"



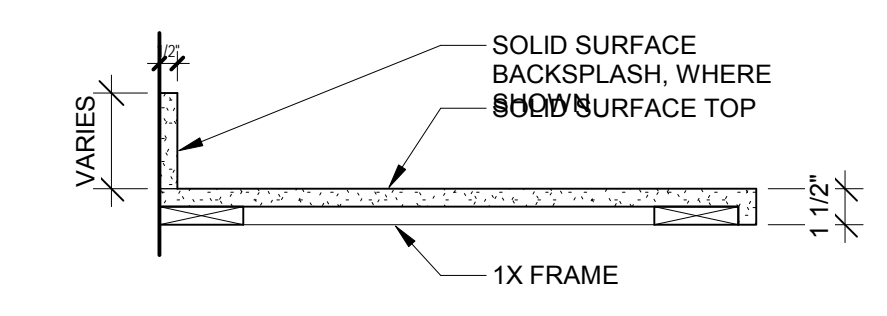
5 UPPER CABINET
1 1/2" = 1'-0"



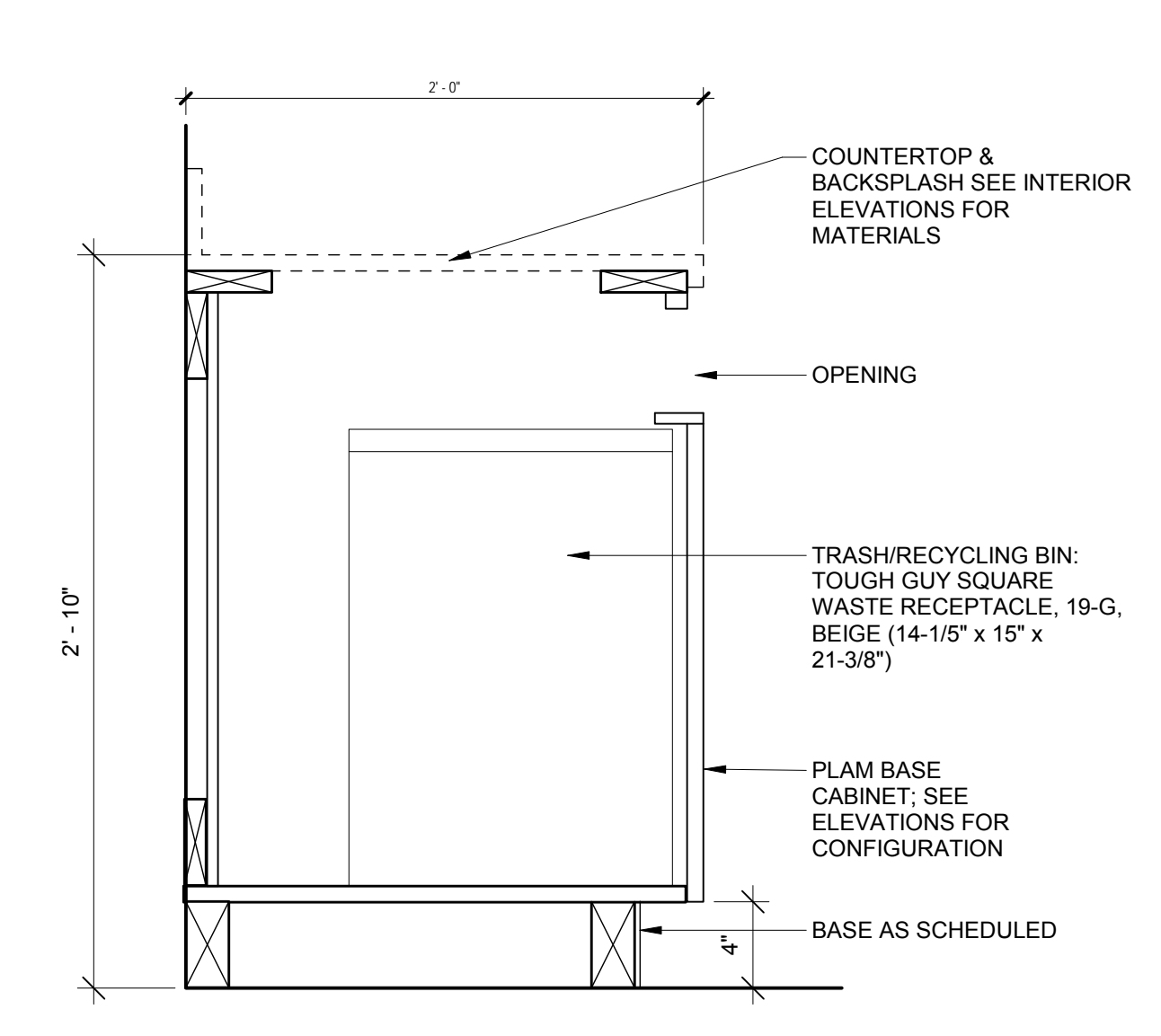
9 TYPICAL COUNTER
1 1/2" = 1'-0"



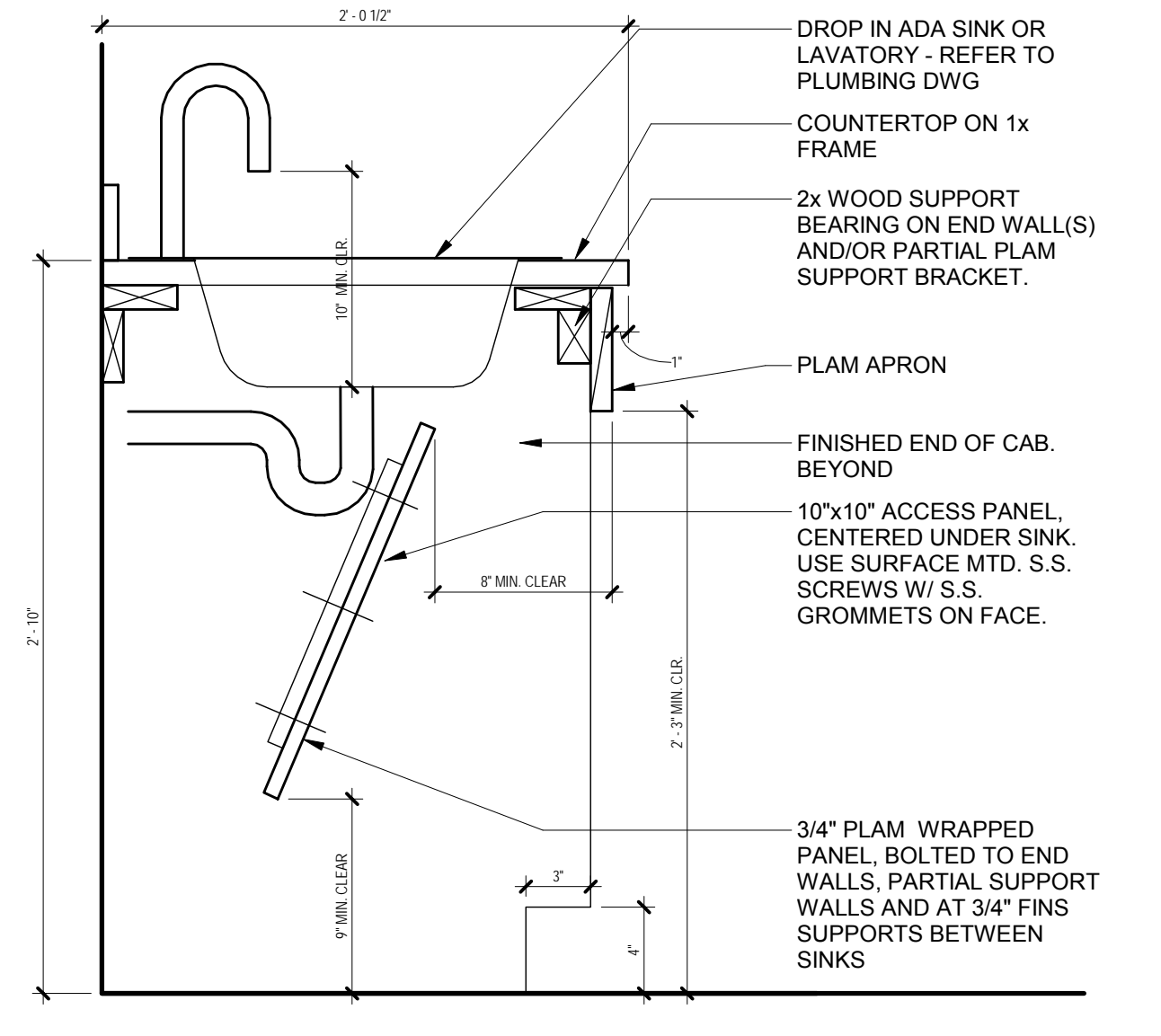
6 TYPICAL PLAM COUNTER
1 1/2" = 1'-0"



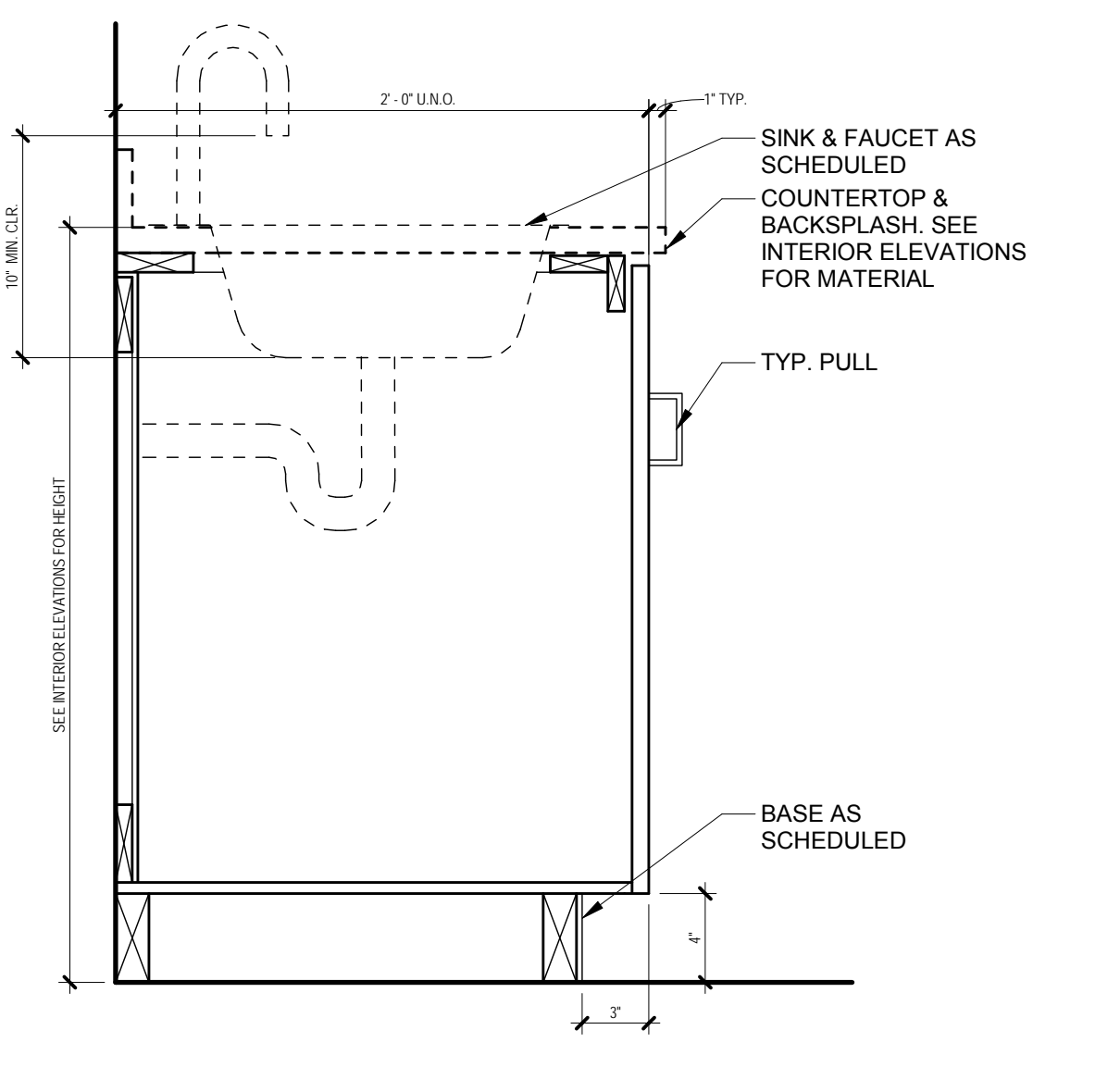
10 TYPICAL SOLID SURFACE COUNTERTOP
1 1/2" = 1'-0"



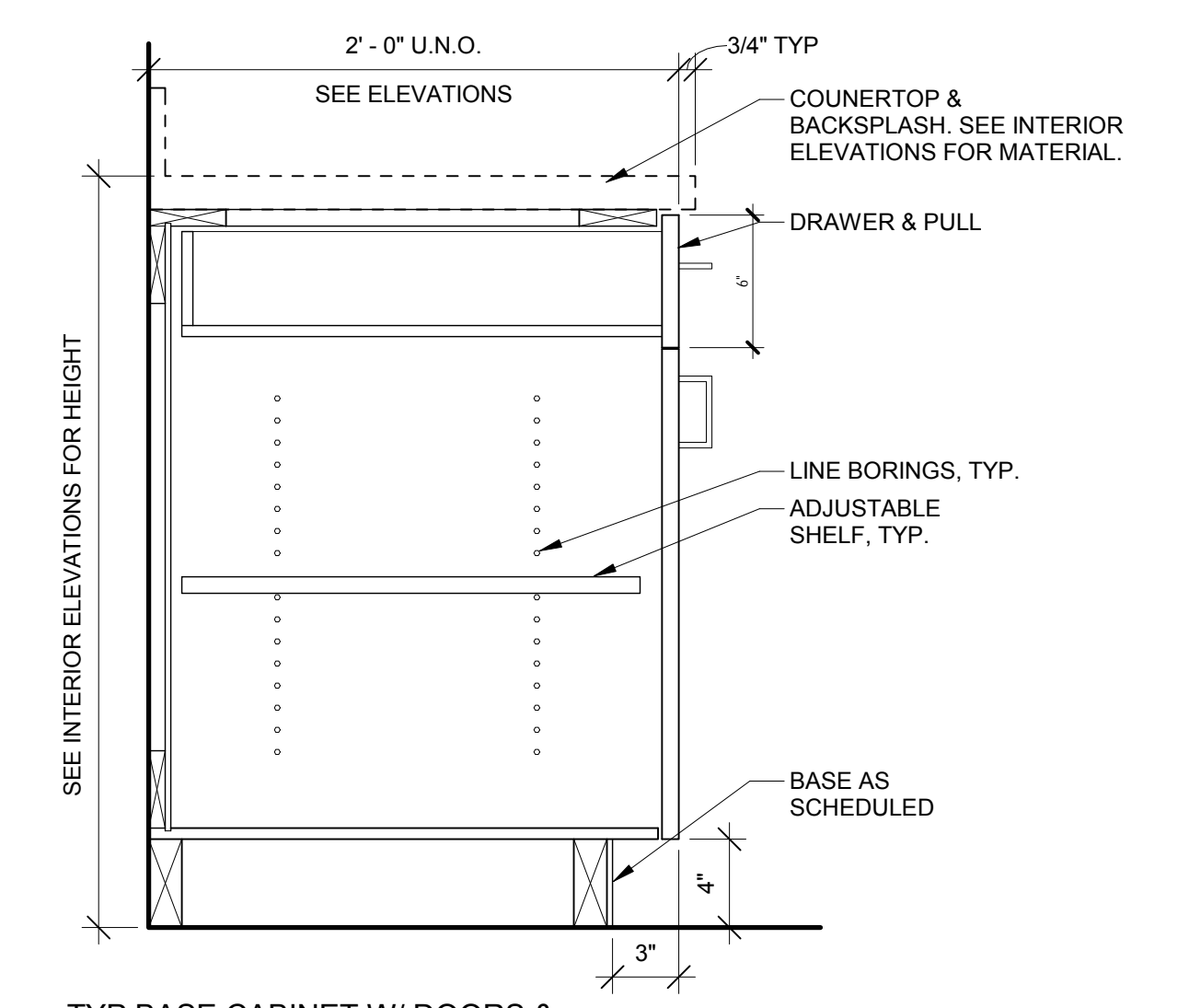
1 BASE CABINET - TRASH/RECYCLING
1 1/2" = 1'-0"



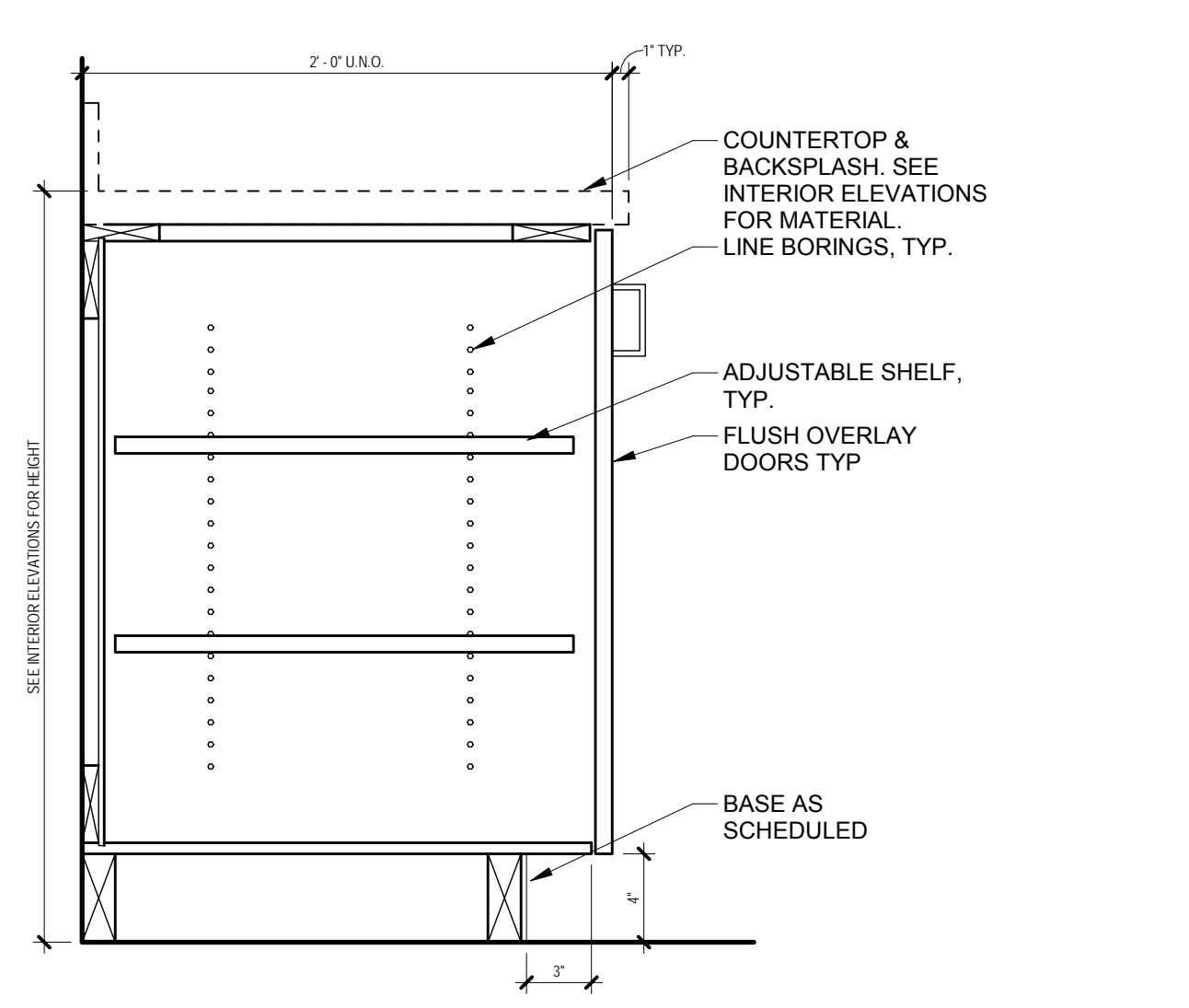
11 ACCESSIBLE SINK DETAIL
1 1/2" = 1'-0"



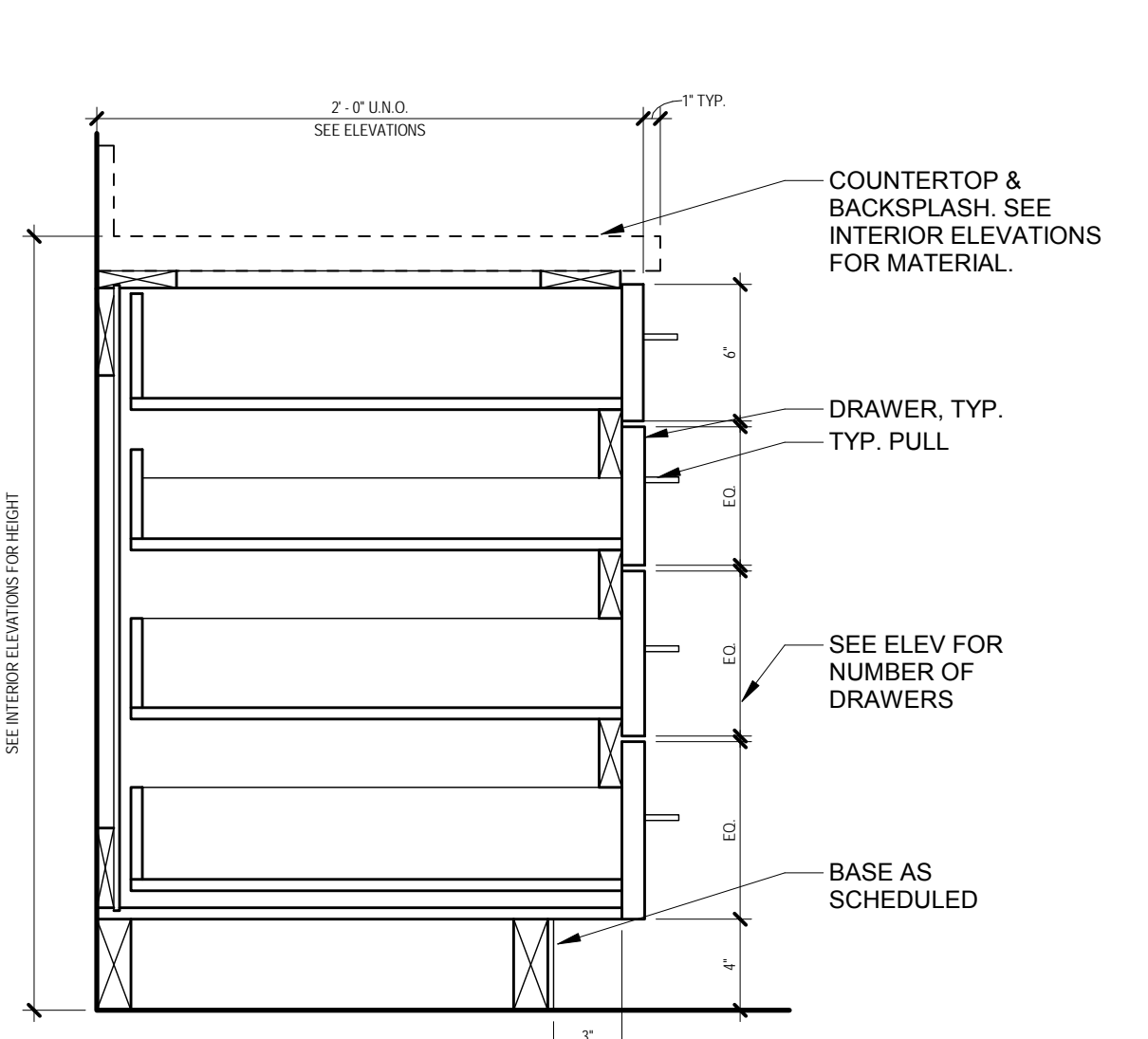
3 SINK BASE CABINET
1 1/2" = 1'-0"



8 TYP BASE CABINET W/ DOORS & DRAWER
1 1/2" = 1'-0"



4 TYP BASE CABINET
1 1/2" = 1'-0"



7 TYP BASE CABINET WITH DRAWERS
1 1/2" = 1'-0"

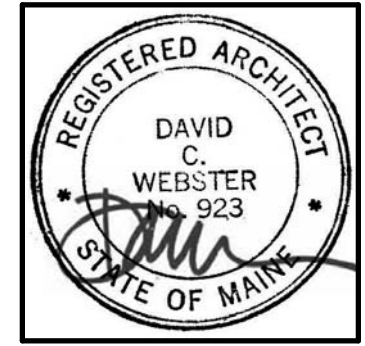


49 DARTMOUTH STREET
PORTLAND, MAINE 04101
207-775-1059
www.pdtarchts.com

COPYRIGHT
PDT Architects
Reproduction or reproduction of the contents of this document is not permitted without written permission of PDT Architects.

Lowell Street 3rd & 4th Floor Renovations
15 Lowell Street, Portland, Maine 04101

#	Date	Description
		Revision Schedule



JOB NO.
16064

DRWN: CHK
Author Checker

SCALE:

ISSUE:
Permit Set

June 16, 2017

TITLE:
Typical Casework Details

SHEET

A700