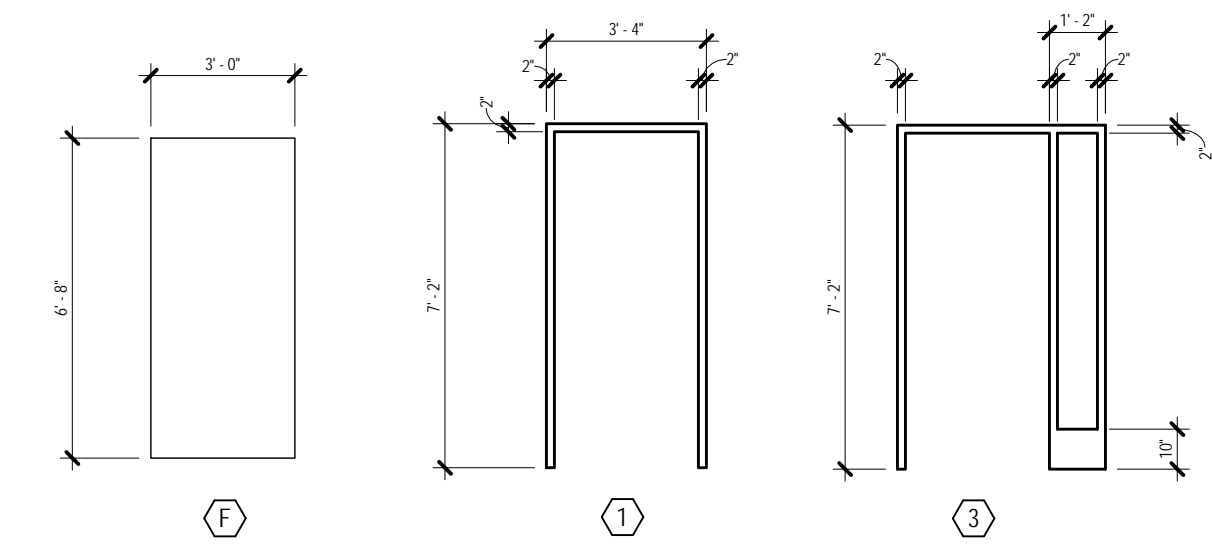
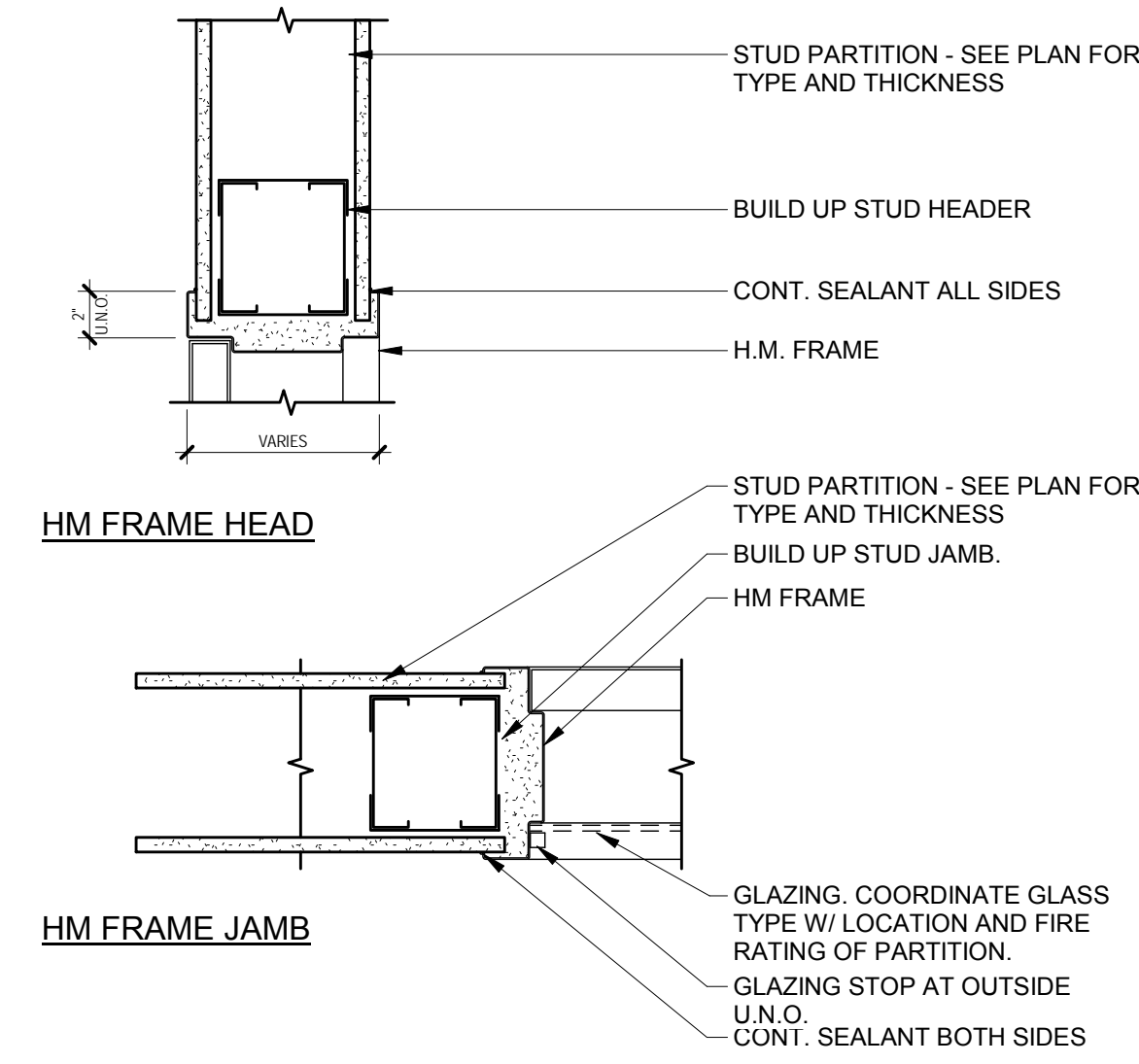


Fourth Floor Door & Frame Schedule																		
LOCATION			DOOR						FRAME									
MARK	ROOM NO.	ROOM NAME	OPERATION	OPENING			R.O. HGT	TYPE	PANEL			FRAME		RATING	HDWR	COMMENTS	Level	Phase Created
				WIDTH	HEIGHT	WID			THICK	CONFIG	PANEL WIDTH	TYPE	MATL					
310.2	310A	Visual Field 1	Single - Hinged	3'-0"	7'-0"	3'-4"	7'-2"	F	1.34"	SINGLE	3'-0"						3rd FLOOR	New Construction
310.1	310B	Visual Field 2	Single - Hinged	3'-0"	7'-0"	3'-4"	7'-2"	F	1.34"	SINGLE	3'-0"						3rd FLOOR	New Construction
332	332	Office	Single - Hinged	3'-0"	7'-0"	3'-4"	7'-2"	F	1.34"	SINGLE	3'-0"						3rd FLOOR	New Construction
C320.5	349	Cirrus OCT	Single - Hinged	3'-0"	7'-0"	3'-4"	7'-2"	F	1.34"	SINGLE	3'-0"						3rd FLOOR	New Construction
350	350	Spectrales	Single - Hinged	3'-0"	7'-0"	3'-4"	7'-2"	F	1.34"	SINGLE	3'-0"						3rd FLOOR	New Construction
C410	403	Waiting Room	Single - Hinged	3'-0"	7'-0"	3'-4"	7'-2"	F	1.34"	SINGLE	3'-0"						4th FLOOR	New Construction
427.1	427	Expanded Kitchen/ Break	Single - Hinged	3'-0"	7'-0"	3'-4"	7'-2"	F	1.34"	SINGLE	3'-0"						4th FLOOR	New Construction
441.1	441	Tech	Door Opening-No Panel	3'-0"	7'-0"	3'-4"	7'-2"		1.34"	SINGLE	3'-0"						4th FLOOR	New Construction
441.2	441	Tech	Door Opening-No Panel	3'-0"	7'-0"	3'-4"	7'-2"		1.34"	SINGLE	3'-0"						4th FLOOR	New Construction
442	442	Soiled Processing	Single - Wall Slider	3'-6"	7'-0"	3'-0"	6'-8"	F	1.34"	SINGLE	3'-6"						4th FLOOR	New Construction
443	443	Minor Procedure	Single - Hinged	3'-0"	7'-0"	3'-4"	7'-2"	F	1.34"	SINGLE	3'-0"						4th FLOOR	New Construction
444	444	Testing	Door Opening-No Panel	3'-0"	7'-0"	3'-4"	7'-2"		1.34"	SINGLE	3'-0"						4th FLOOR	New Construction
447	447	Exam 6	Single - Hinged	3'-0"	7'-0"	3'-4"	7'-2"	F	1.34"	SINGLE	3'-0"						4th FLOOR	New Construction
450	450	Lab	Single - Wall Slider	3'-6"	7'-0"	3'-0"	6'-8"	F	1.34"	SINGLE	3'-6"						4th FLOOR	New Construction
451	451	Exam 3	Single - Wall Slider	3'-6"	7'-0"	3'-0"	6'-8"	F	1.34"	SINGLE	3'-6"						4th FLOOR	New Construction
421	C420	Corridor	Single - Wall Slider	3'-6"	7'-0"	3'-0"	6'-8"	F	1.34"	SINGLE	3'-6"						4th FLOOR	New Construction
441.1	C440	Corridor	Door Opening-No Panel	3'-0"	7'-0"	3'-4"	7'-2"		1.34"	SINGLE	3'-0"						4th FLOOR	New Construction

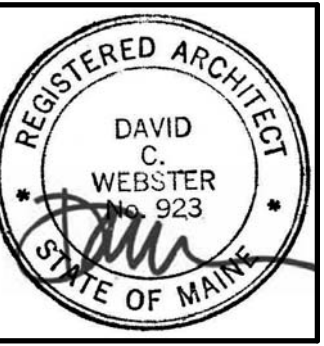


- DOOR AND WINDOW NOTES**
- AT EXTERIOR WALLS AND MASONRY WALLS, COAT THE INSIDE OF ALL HOLLOW METAL FRAMES WITH BITUMINOUS COATING.
 - FILL ALL INTERIOR HOLLOW METAL FRAMES ADJACENT TO MASONRY WITH MORTAR.
 - PACK MINERAL-FIBER INSULATION IN ALL INTERIOR HOLLOW METAL FRAMES IN STUD WALLS.
 - FILL ALL EXTERIOR METAL DOOR FRAMES WITH LOW-EXPANSION SPRAY-FOAM INSULATION.
 - REFER TO SPECIFICATIONS FOR LOCATIONS OF TEMPERED, LAMINATED, WIRED, AND INSULATING GLASS.
 - AT DOOR, WINDOW AND LOUVER OPENINGS IN EXTERIOR WALLS WITH MASONRY VENEER PROVIDE METAL PAN FLASHING AT HEADS UNLESS NOTED OTHERWISE.
 - PROVIDE METAL RAIN HOOD AT ALL EXTERIOR HOLLOW METAL FRAMES.
 - PROVIDE DOOR STOPS TO PROTECT WALLS AT ALL LOCATIONS WHERE A DOOR SWING WILL STRIKE THE WALL.
 - ALL EXTERIOR DOORS SHALL HAVE WEATHER STRIPPING, THRESHOLDS, AND SHALL BE INSTALLED WEATHERTIGHT.



1 HM FRAME DETAILS @ GWB
 1/12" = 1'-0"

#	Date	Description
Revision Schedule		



JOB NO.
16064

DRWN: CHK
Author Checker

SCALE:

ISSUE:
Permit Set

June 16, 2017

TITLE:
Schedules, Legends,
& Diagrams

SHEET

A600