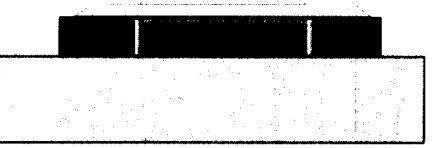
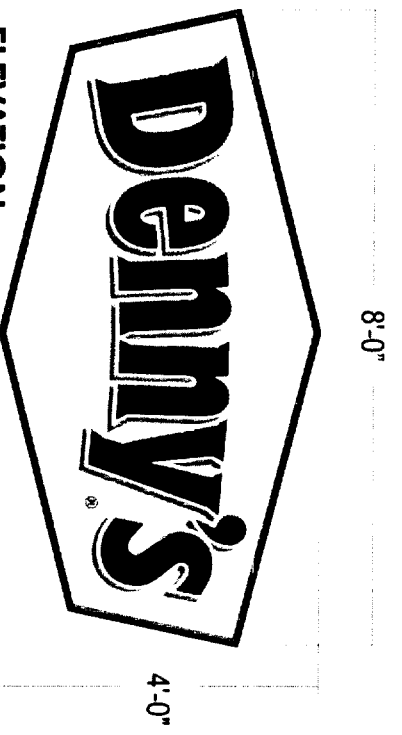
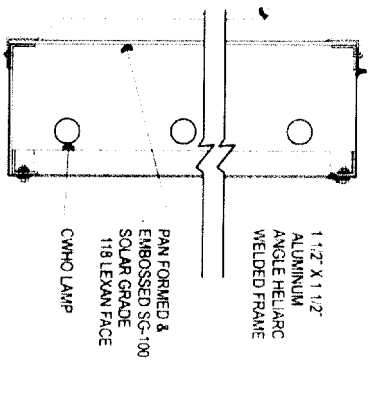


DENNY'S 2000 SIGN SPECIFICATIONS - MODEL 2K-D-24-SF (SINGLE FACE WALL MOUNT)

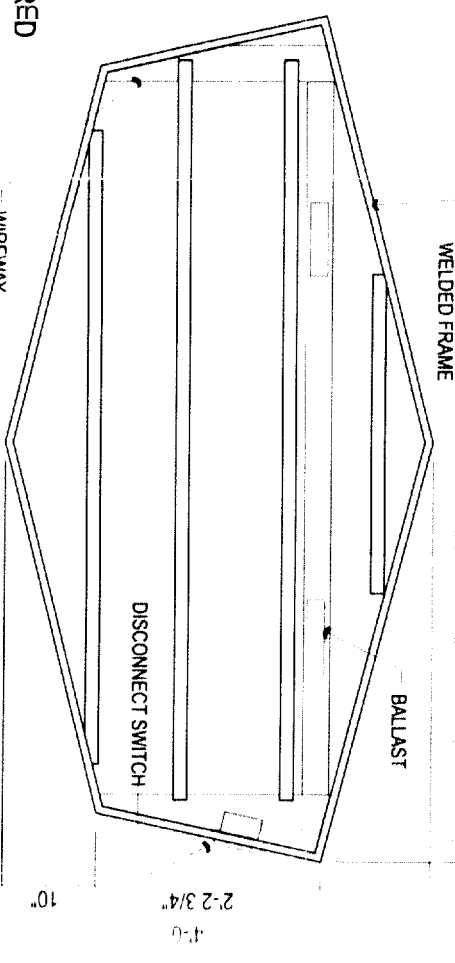


SPECIFICATIONS
 HELIARC WELDED ALUMINUM ANGLE FRAME
 W/ FABRICATED ALUMINUM CABINET &
 RETAINER ACRYLIC POLYURETHANE FINISH
 PAN FORMED .118 SG-100 SOLAR GRADE
 LEXAN W/ 3M VINYL 2ND SURFACE (6) COLOR
 GRAPHIC APPLICATION UL APPROVED

- 1 LETTER - RED
LACRYL LB 9145, SIGANTECH 3232, PMS 485
- 2 DARK RED DROP SHADOW
SIGANTECH CC-294, PMS 1807
- 3 OCHEE DROP SHADOW
SIGANTECH CC3-121, PMS 131
- 4 YELLOW BKGD
SIGANTECH 2037, PMS 116
- 5 ORANGE BARS & BORDER
SIGANTECH CX3-126, PMS 138
- 6 ORANGE CABINET
SW KEM 400 #F758KXX9957-4311, PMS 138




ELECTRICAL
 (2) F84-T12/CW/HO LAMPS
 (1) F72-T12/CW/HO LAMPS
 (1) F36-T12/CW/HO LAMPS
 (1) ASB-0412-12 BALLAST
 (1) ASB-0620-24 BALLAST
4.15 TOTAL AMPS
 (1) 15 AMP CIRCUIT REQUIRED



CONSTRUCTION DETAIL - 1/2" = 1'-0"

ELEVATION
 3/8" = 1'-0"
 TOTAL SQFT = 32.0
 ACTUAL SQFT = 23.5

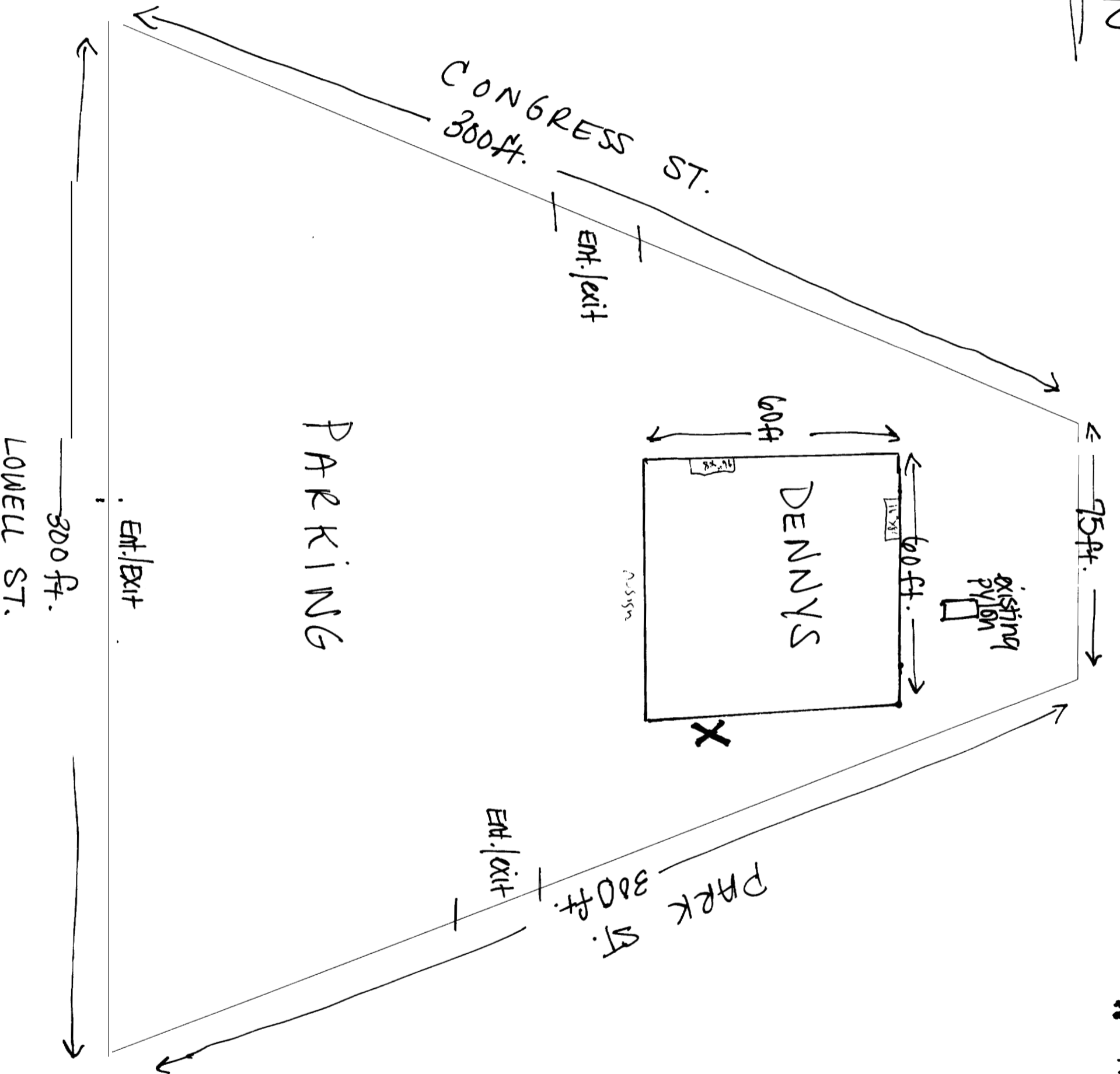


FRANCHISE SIGNS INT'L.

<p>CUSTOMER: Denny's</p> <p>LOCATION / PROJECT: Portland, ME</p> <p>ADDRESS: Congress Ave.</p> <p>DATE: 11.15.05</p>	<p>DRAWING NO.: DENNSB2.10.5</p> <p>DESIGNER: St.Claire</p> <p>ACCT. REP.: DT</p> <p>SCALE: 1" = 1'-0"</p>
<p>REVISION NO. / DATE: 1 - wall sign replaced 10.27.05</p> <p>2 - channel letters replaced 10.30.05</p>	<p>CUSTOMER APPROVAL:</p> <p>DATE:</p>

Mail: P.O. Box 41156 Phoenix, AZ 85080-1156 Physical: 1101-A-W, Melinda Ln Phoenix, AZ 85027 Ph: 623-792-3061 Fax 623-792-3063
 North Carolina Office: 2693 Glen Forest Drive Winston-Salem, NC 27103 Ph: 336-774-7986 Fax: 425-977-7512

SITE PLAN



X = New sign on building