



## 125 Class Strobe Beacons for NEMA 4X Applications

The Edwards 125 Class Strobe beacons are UL and cUL listed signaling devices, available in two versions, normal light output and high light output. Both versions feature a corrosion resistant Type 4X enclosure and can be panel or conduit mounted. The base is manufactured from a 33% glass filled nylon, providing high resistance to heat and high chemical resistivity. The lens is made of shatter resistant polycarbonate. Both the normal light output and high light output beacons are available with either a black or gray base, and amber, blue, clear, green or red lens.

The 125 Class Strobe beacons can be mounted on 1/2" or 3/4" NPT conduit using a 1/2" internal or 3/4" external conduit hub that comes with the unit. It can also be panel-mounted using the mounting gasket provided with the unit. When panel-mounting the 125 Class Strobe, the surface and construction details of the panel must be taken into consideration to ensure the integrity of the outdoor, NEMA 4X rating is fully maintained.

### 125 Class Strobe Features

- High Light Output available in 120V AC
- Normal Light Output available in 12-48V DC, 120V AC or 240V AC
- Available with gray or black base
- Option for panel or conduit mounting
- Available in High Light Output or Normal Light Output versions
- Available with amber, blue, clear, green or red lens
- -31°F to 150°F (-35°C to 66°C) operating temperature
- Protective wire guard available, Cat. No. 125GRD

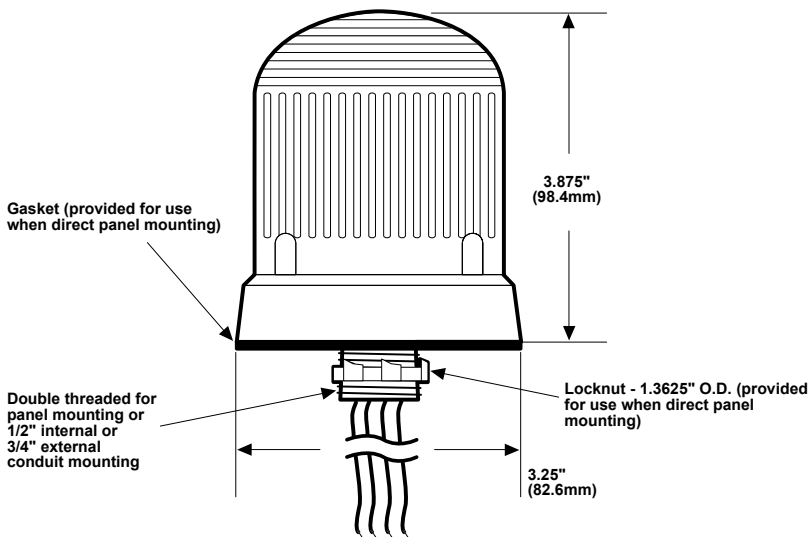
## 125 Class Strobe Beacons

Description	Strobe Output	Cat. No.	Base Color	Lens Colors	Operating Voltage	Current	Replacement Lens	Replacement Strobe Tube
Strobe Beacons in NEMA 4X Enclosure	High Output 300,000 peak candlepower**	125STRH*120A	Gray	Amber, Blue, Clear, Green, Red	120V AC 50/60 Hz	0.120 A	125L*	91B-ST
		125STRH*120AB	Black	Amber, Blue, Clear, Green, Red	120V AC 50/60 Hz	0.120 A	125L*	91B-ST
		125STRN*1248D	Gray	Amber, Blue, Clear, Green, Red	12-48V DC	0.350 A	125L*	114-ST
	Normal Output 175,000 peak candlepower**	125STRN*120A	Gray	Amber, Blue, Clear, Green, Red	120V AC 50/60 Hz	0.100 A	125L*	91B-ST
		125STRN*240A	Gray	Amber, Blue, Clear, Green, Red	240V AC 50/60 Hz	0.050 A	125L*	91B-ST
		125STRN*1248DB	Black	Amber, Blue, Clear, Green, Red	12-48V DC	0.350 A	125L*	114-ST
		125STRN*120AB	Black	Amber, Blue, Clear, Green, Red	120V AC 50/60 Hz	0.100 A	125L*	91B-ST
		125STRN*240AB	Black	Amber, Blue, Clear, Green, Red	240V AC 50/60 Hz	0.050 A	125L*	91B-ST

\*Letter in this position designates lens color: A - amber, B - blue, C - clear, G - green, or R - red

\*\*Maximum capacitor operating temperature (Tc) is 185°F (85°C).

## Dimensional Drawings



## Agency Approvals



1638 Listed



Listed  
NEMA 4X  
Enclosure



Listed



41 Woodford Avenue  
Plainville, CT 06062  
1.800.336.4206  
www.edwardssignaling.com  
© Copyright 2010 Edwards Signaling

Data Sheet ES001-0108 Issue 1  
Not to be used for installation purposes.  
Page 2 of 2