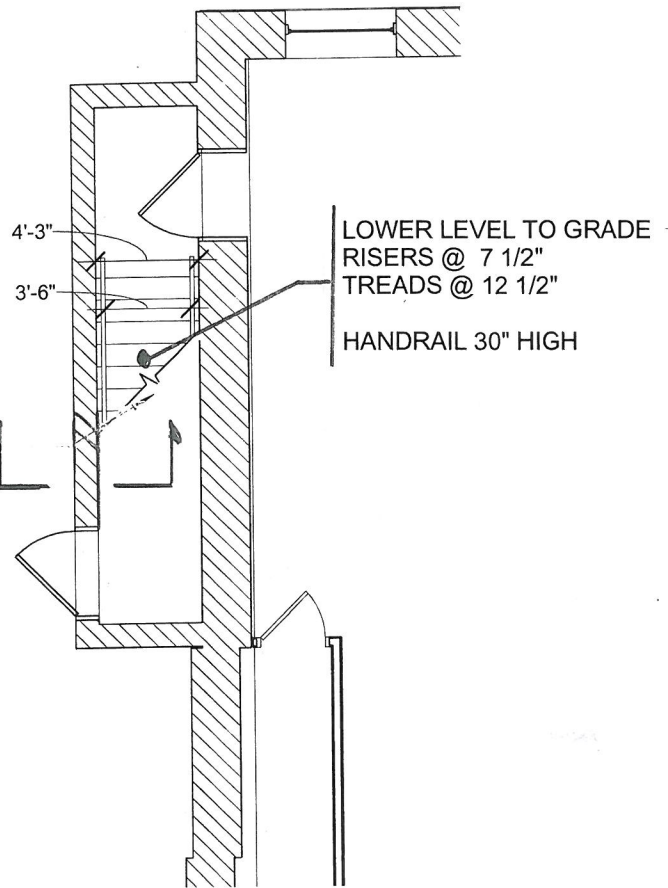
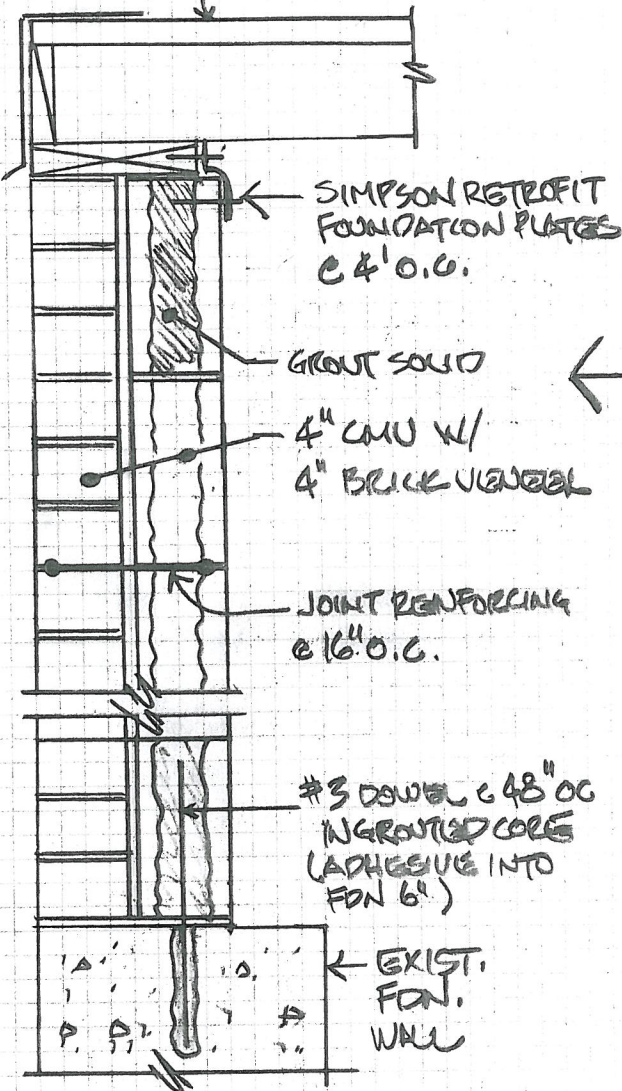
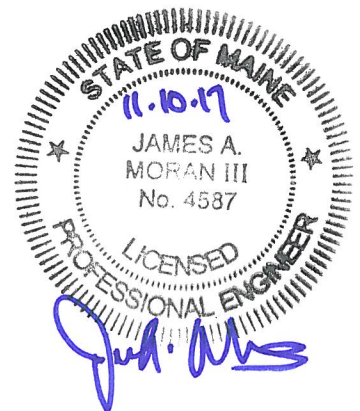


EXISTING ROOF
FRAMING



STAIR PLAN
(EXIST. STAIR - PATSON ST. SIDE)



NATHAN CLIFFORD RESIDENCES
STAIRWELL WALL REPAIR

DATE: 11.10.2017
DESIGN
PROJECT: 17374

SSK - 1