

Prepared For:
Developers Collaborative
 17 Chestnut Street
 Portland, ME 04101

Consultant:

Architect:
ARCHETYPE architects
 48 Union Wharf Portland, Maine 04101
 (207) 772-6022 ARCHETYPE@ARCHETYPEA.COM

Project:
NATHAN CLIFFORD SCHOOL REDEVELOPMENT
 180 Falmouth Street Portland, Maine

Revisions:

Scale: As indicated
DOOR SCHEDULE

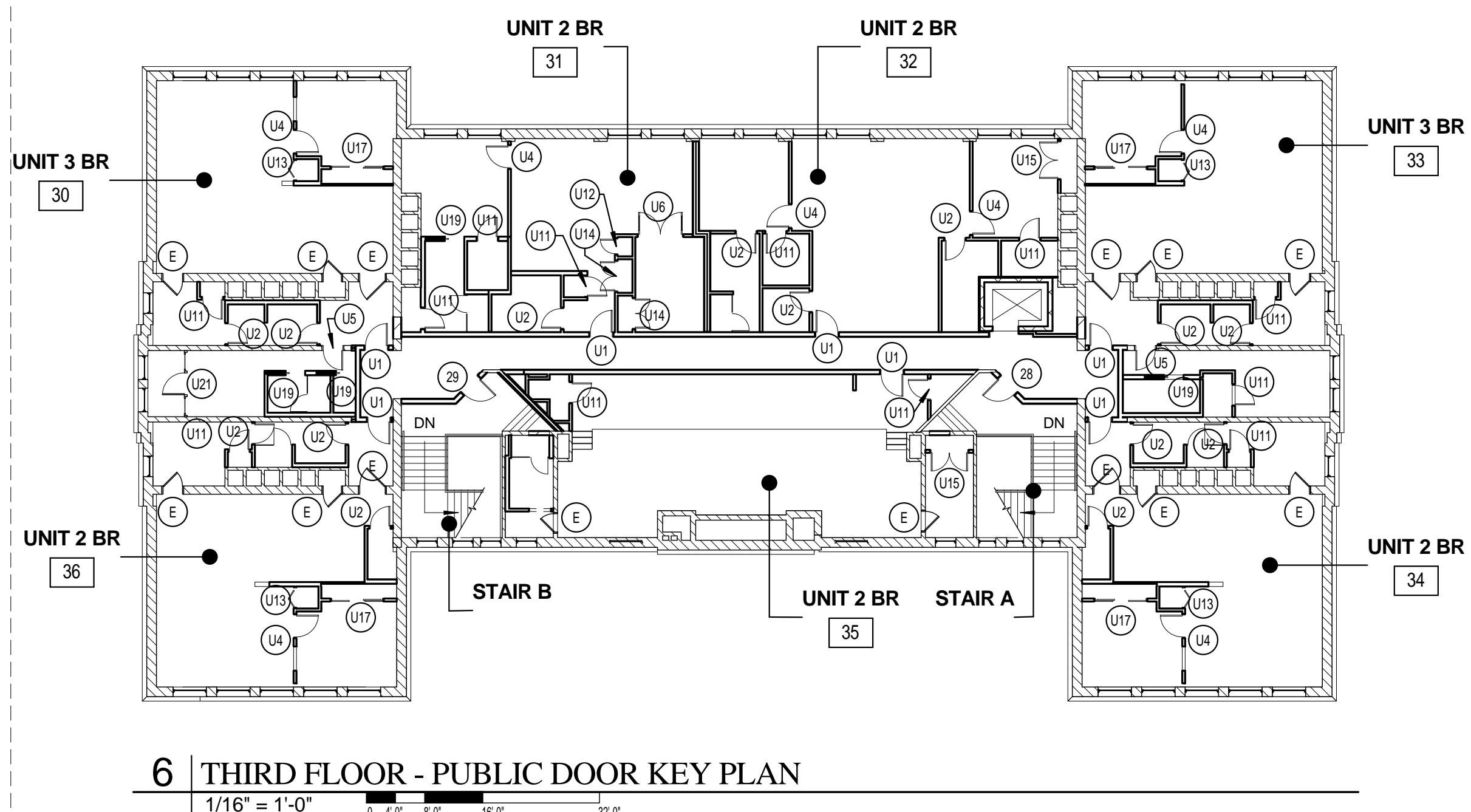
Date: 15 JAN 2014
A8.01

DOOR SCHEDULE - UNIT DOORS

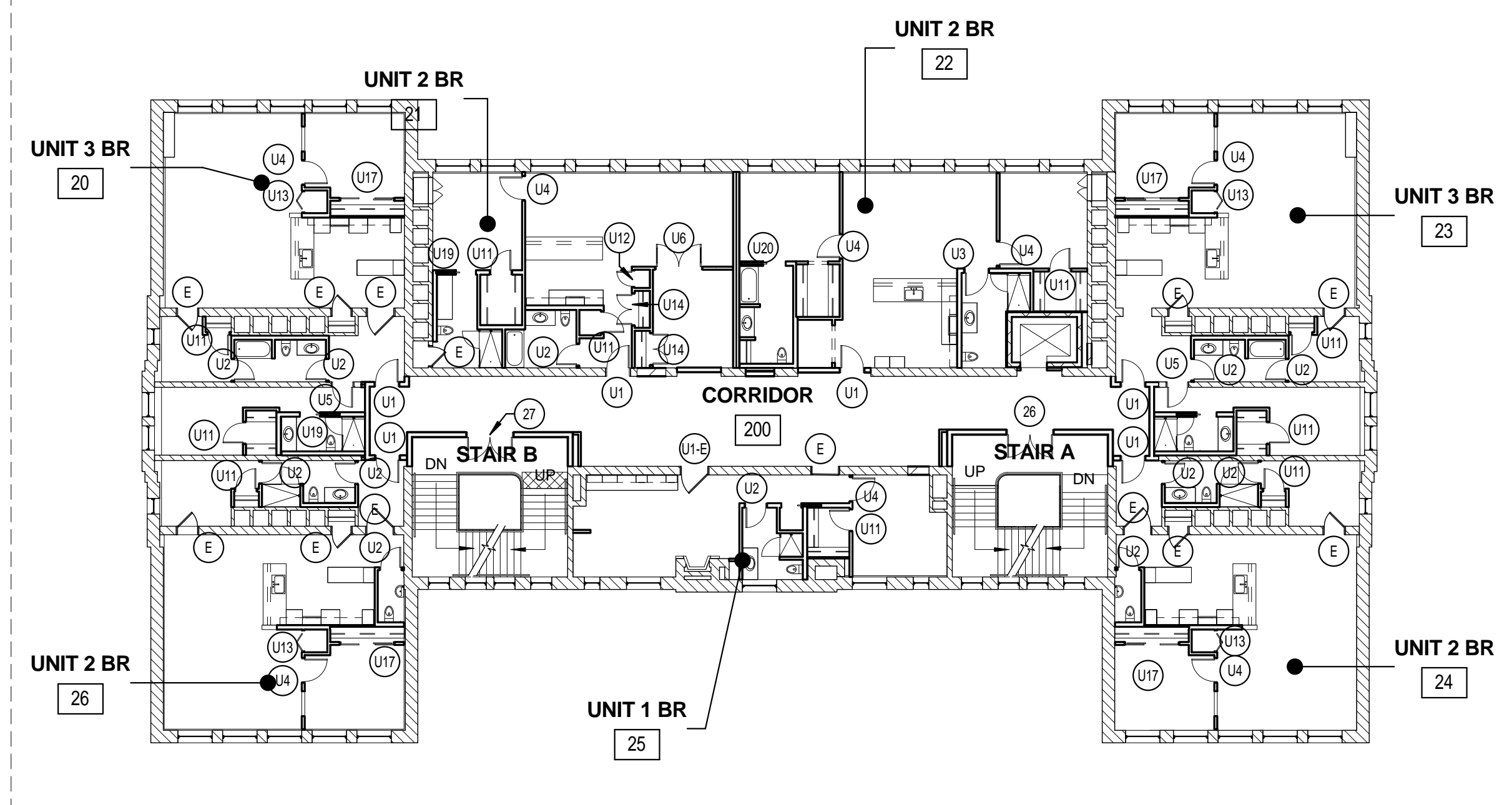
WT	DOOR	W	H	THCK	MATL	ELEV.	FRAME	JAMB	THRES	MATL	LABEL	OPER.	CL.	REMARKS
U1	3'-0"	7'-0"	1 3/4"	WD	A	-	-	-	WD	-	20 MINS	UNIT DOOR	Yes	UNIT DOOR - FOB ENTRY, SMOKE GASKET
U1-E	3'-6"	7'-0"	1 3/4"	WD	B	-	-	-	WD	-	-	UNIT DOOR	No	UNIT DOOR - EXISTING DOOR TO REMAIN, NEW HARDWARE
U2	2'-8"	7'-0"	1 3/4"	WD	B	-	-	-	WD	-	-	PRIVACY	No	BATHROOM DOOR
U2.1-E	3'-0"	7'-0"	1 3/4"	WD	B	-	-	-	WD	-	-	PRIVACY	No	BATHROOM DOOR
U2.2-E	2'-8"	7'-0"	1 3/4"	WD	B	-	-	-	WD	-	-	PRIVACY SET	No	BATHROOM DOOR
U3	3'-0"	7'-0"	1 3/4"	WD	B	-	-	-	WD	-	-	PRIVACY	No	BATHROOM DOOR - ADA
U4	3'-0"	7'-0"	1 3/4"	WD	B	-	-	-	WD	-	-	BEDROOM	No	BEDROOM DOOR
U5	2'-8"	7'-0"	1 3/4"	WD	B	-	-	-	WD	-	-	BEDROOM	No	BEDROOM DOOR
U6	6'-0"	7'-0"	1 3/4"	WD	B	-	-	-	WD	-	-	BEDROOM	No	BEDROOM FRENCH DOOR
U11	2'-8"	7'-0"	1 3/4"	WD	B	-	-	-	WD	-	-	PASSAGE	No	CLOSET
U12	2'-0"	7'-0"	1 3/4"	WD	B	-	-	-	WD	-	-	PASSAGE	No	CLOSET
U13	2'-8"	7'-0"	1 3/4"	WD	D	-	-	-	WD	-	-	PASSAGE	No	CLOSET - 2 BIFOLD LEAFS
U14	4'-0"	7'-0"	1 3/4"	WD	C	-	-	-	WD	-	-	PASSAGE	No	CLOSET - PAIR
U15	5'-0"	7'-0"	1 3/4"	WD	C	-	-	-	WD	-	-	PASSAGE	No	CLOSET - PAIR
U16	5'-0"	7'-0"	1 3/4"	WD	B	-	-	-	WD	-	-	PASSAGE	No	CLOSET - SLIDING DOOR 2 LEAFS
U17	7'-0"	7'-0"	1 3/4"	WD	B	-	-	-	WD	-	-	PASSAGE	No	CLOSET - SLIDING DOOR 3 LEAFS
U18	2'-6"	7'-0"	1 1/2"	WD	B	-	-	-	WD	-	-	PASSAGE	No	POCKET DOOR
U19	2'-8"	7'-0"	1 3/4"	WD	B	-	-	-	WD	-	-	PASSAGE	No	POCKET DOOR
U20	3'-0"	7'-0"	1 3/4"	WD	B	-	-	-	WD	-	-	PASSAGE	No	POCKET DOOR - ADA
U21	3'-0"	7'-0"	1 3/4"	WD	B	-	-	-	WD	-	-	PASSAGE	No	DOOR AT HISTORIC GLAZED WALL

DOOR SCHEDULE - PUBLIC DOORS

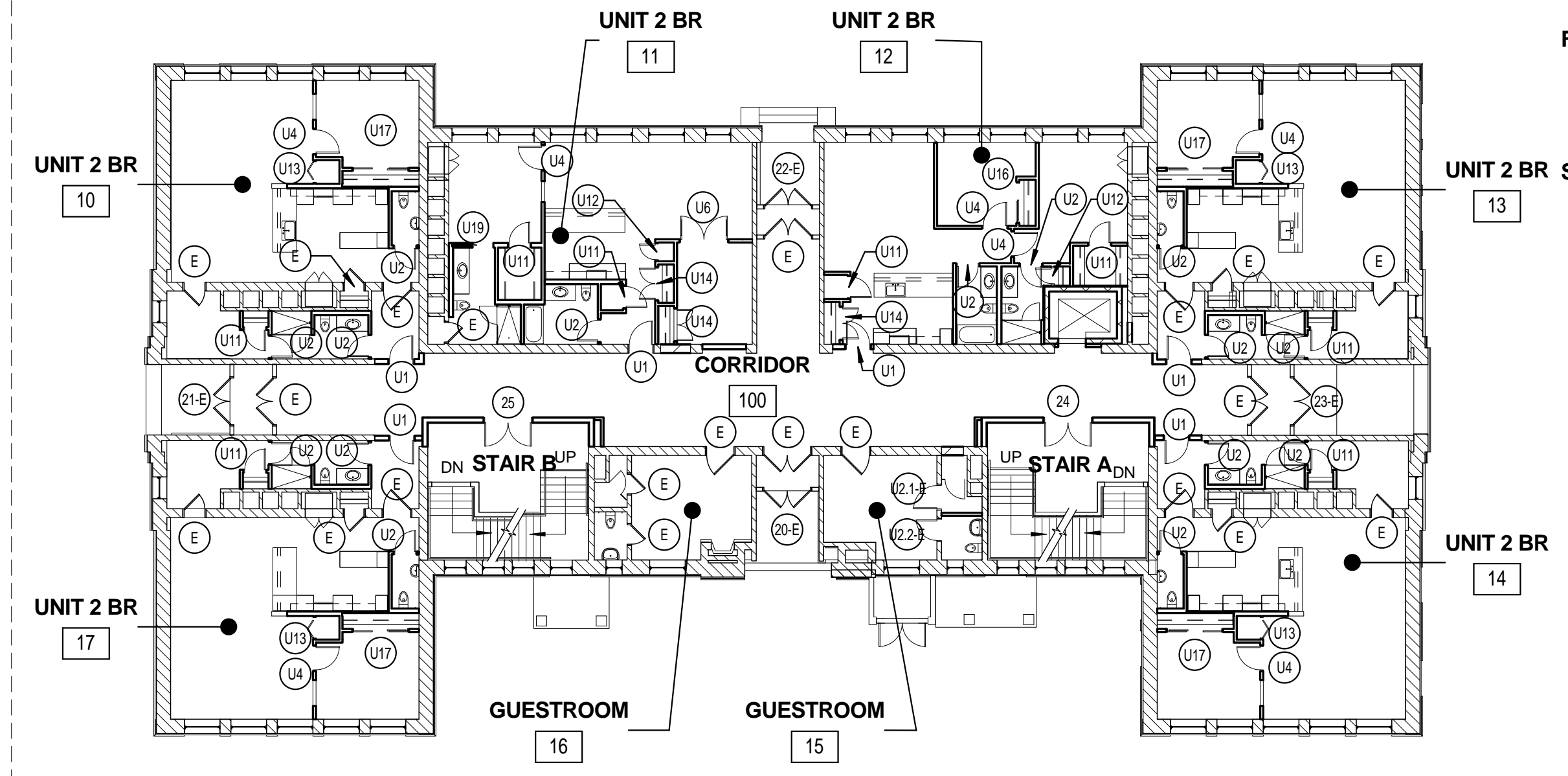
DOOR No.	LOCATION	W	H	THCK	MATL	ELEV.	FRAME	HEAD/JAMB	THRES	MATL	LABEL	OPER.	CL.	REMARKS
LOWER LEVEL														
001-E	STAIR C	3'-6"	7'-0"	1 3/4"	EXG	EXG	-	-	EXG	EXG	-	PANIC-STORAGE	Yes	EXG DR HDWR - NEW WEATHER SEALS
002-E	STAIR C	3'-6"	7'-0"	1 3/4"	EXG	EXG	-	-	EXG	EXG	-	PANIC-STORAGE	Yes	EXG DR HDWR - NEW WEATHER SEALS
003	ELEC.	3'-0"	7'-0"	1 3/4"	HM	F	-	-	HM	45 MINS	STORAGE	Yes	SMOKE GASKET	
004	JC	2'-8"	7'-0"	1 3/4"	HM	F	-	-	HM	45 MINS	STORAGE	Yes	SMOKE GASKET	
005	LIBRARY	6'-0"	7'-0"	1 3/4"	WD	J	-	-	WD	-	ENTRY	No	SMOKE GASKET	
006	BATH	3'-0"	7'-0"	1 3/4"	HM	F	-	-	HM	-	PRIVACY	Yes	SMOKE GASKET	
007	YOGA ROOM	3'-0"	7'-0"	1 3/4"	HM	K	-	-	HM	-	STORAGE	No	SMOKE GASKET	
009	STAIR B	3'-0"	7'-0"	1 3/4"	HM	H	-	-	HM	90 MINS	PASSAGE	Yes	SMOKE GASKET	
009A	STAIR B	3'-0"	7'-0"	1 3/4"	HM	H	-	-	HM	90 MINS	PASSAGE	Yes	SMOKE GASKET	
010	STAIR B	3'-0"	7'-0"	1 3/4"	WD	I	-	-	ALUM	WD	-	ENTRY	Yes	WEATHER SEAL - FOB ENTRY
011	TRASH ROOM	6'-0"	8'-0"	1 3/4"	WD	SEE ELEV	-	-	ALUM	WD	-	STORAGE	Yes	WEATHER SEAL
012	TRASH ROOM	6'-0"	7'-0"	1 3/4"	HM	G	-	-	HM	-	PASSAGE	No	WEATHER SEAL	
013	TRASH ROOM	3'-0"	7'-0"	1 3/4"	HM	H	-	-	MTL	HM	45 MINS	STORAGE	Yes	SMOKE GASKET
014	STAIR A	6'-0"	7'-0"	1 3/4"	HM	G	-	-	HM	45 MINS	STORAGE	Yes	SMOKE GASKET	
015	STAIR A	3'-0"	7'-0"	1 3/4"	WD	I	-	-	ALUM	WD	-	ENTRY	Yes	WEATHER SEAL - FOB ENTRY
016	CORRIDOR	3'-0"	7'-0"	1 3/4"	WD	I	-	-	ALUM	WD	-	ENTRY	Yes	WEATHER SEAL - FOB ENTRY
017	ELEC. MACH. RM.	3'-0"	7'-0"	1 3/4"	HM	A	-	-	HM	90 MINS	ENTRY	Yes	SMOKE CONTROL; DOOR CLOSER, STAIN GRADE	
018	FIRE/SPRK	2'-8"	7'-0"	1 3/4"	HM	F	-	-	ALUM	HM	45 MINS	STORAGE	Yes	SMOKE GASKET
019	CORRIDOR	3'-6"	8'-0"	1 3/4"	WD	K	-	-	ALUM	WD	-	STORAGE	Yes	WEATHER SEAL - ELEC STRIKE - FOB ENTRY, NEW TRANSOM, SEE ELEVATIONS
020-E	CORRIDOR	3'-0"	7'-0"	1 3/4"	EXG	EXG	-	-	EXG	-	STORAGE	Yes	EXG LEAF - NEW HARDWARE	
1ST FLOOR														
20-E	VESTIBULE	6'-0"	7'-0"	1 3/4"	EXG	EXG	-	-	EXG	EXG	-	SEE NOTES	Yes	REPLACE WEATHER SEALS, CLOSERS, AND DAMAGED GLAZING
21-E	VESTIBULE	6'-0"	7'-0"	1 3/4"	EXG	EXG	-	-	EXG	EXG	-	SEE NOTES	Yes	REPLACE WEATHER SEALS, AND CLOSERS
22-E	VESTIBULE	6'-0"	7'-0"	1 3/4"	EXG	EXG	-	-	EXG	EXG	-	SEE NOTES	Yes	REPLACE WEATHER SEALS, CLOSERS, AND REPLACE DAMAGED GLAZING
23-E	VESTIBULE	6'-0"	7'-0"	1 3/4"	EXG	EXG	-	-	EXG	EXG	-	SEE NOTES	Yes	REPLACE WEATHER SEALS, AND CLOSERS
24	STAIR A	6'-0"	7'-0"	1 3/4"	HM	H	-	-	HM	90 MINS	PASSAGE	Yes	SMOKE GASKET	
25	STAIR B	6'-0"	7'-0"	1 3/4"	HM	H	-	-	HM	90 MINS	PASSAGE	Yes	SMOKE GASKET	
2ND FLOOR														
26	STAIR A	6'-0"	7'-0"	1 3/4"	HM	H	-	-	HM	90 MINS	PASSAGE	Yes	SMOKE GASKET	
27	STAIR B	6'-0"	7'-0"	1 3/4"	HM	H	-	-	HM	90 MINS	PASSAGE	Yes	SMOKE GASKET	
3RD FLOOR														
28	STAIR A	3'-0"	7'-0"	1 3/4"	HM	H	-	-	HM	90 MINS	PASSAGE	Yes	SMOKE GASKET	
29	STAIR B	3'-0"	7'-0"	1 3/4"	HM	H	-	-	HM	90 MINS	PASSAGE	Yes	SMOKE GASKET	



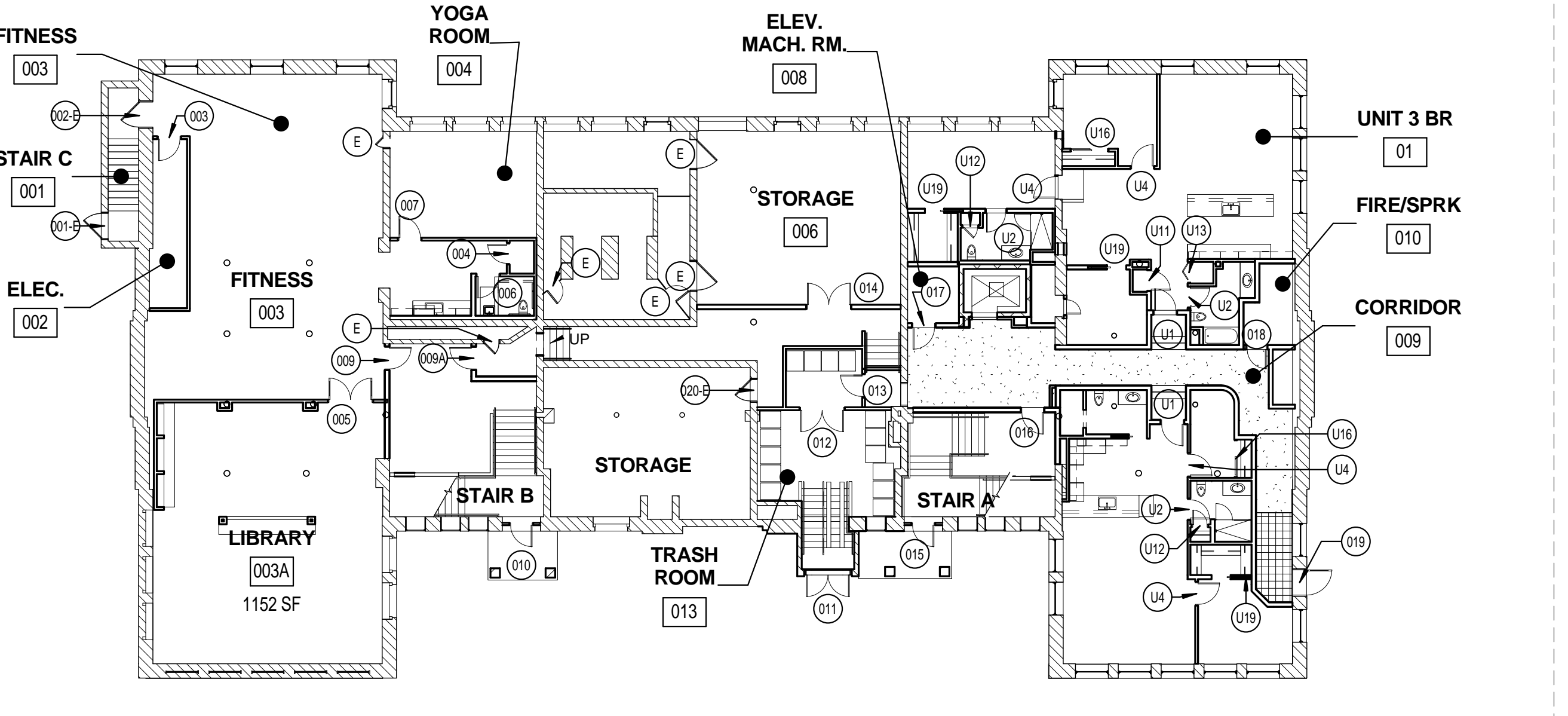
6 | THIRD FLOOR - PUBLIC DOOR KEY PLAN
 1/16" = 1'-0"



5 | SECOND FLOOR - PUBLIC DOOR KEY PLAN
 1/16" = 1'-0"

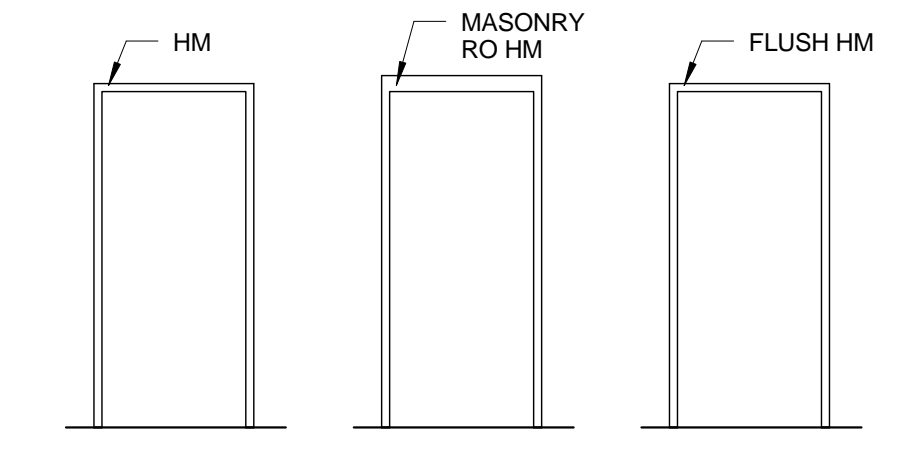


4 | FIRST FLOOR - PUBLIC DOOR KEY PLAN
 1/16" = 1'-0"



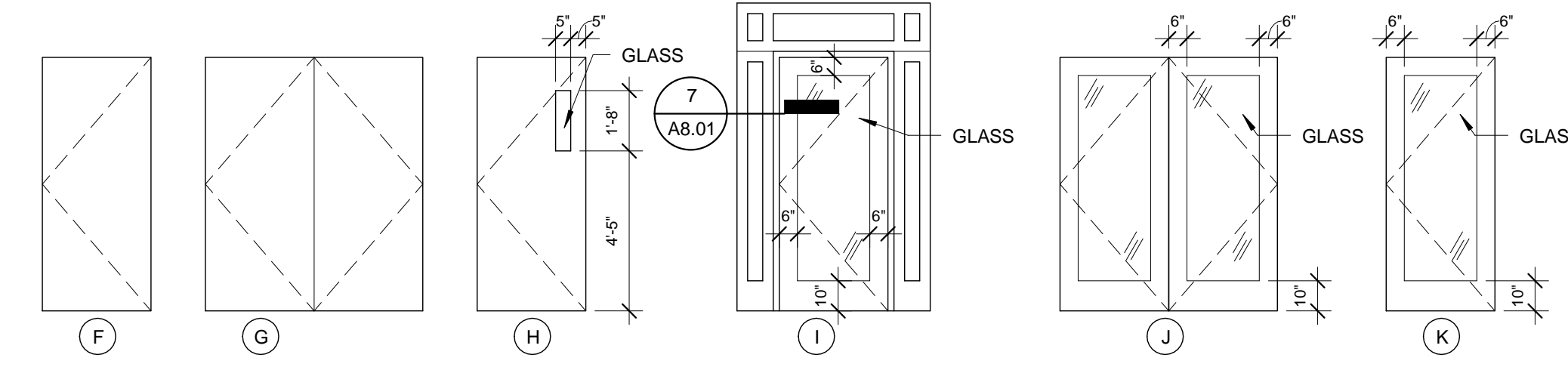
3 | LOWER LEVEL - PUBLIC DOOR KEY PLAN
 1/16" = 1'-0"

NOTES
 1. ALL UNIT DOORS ARE TO BE SOLID CORE MASONITE.
 2. ALL NON ENTRY UNIT DOORS ARE PAINT GRADE.

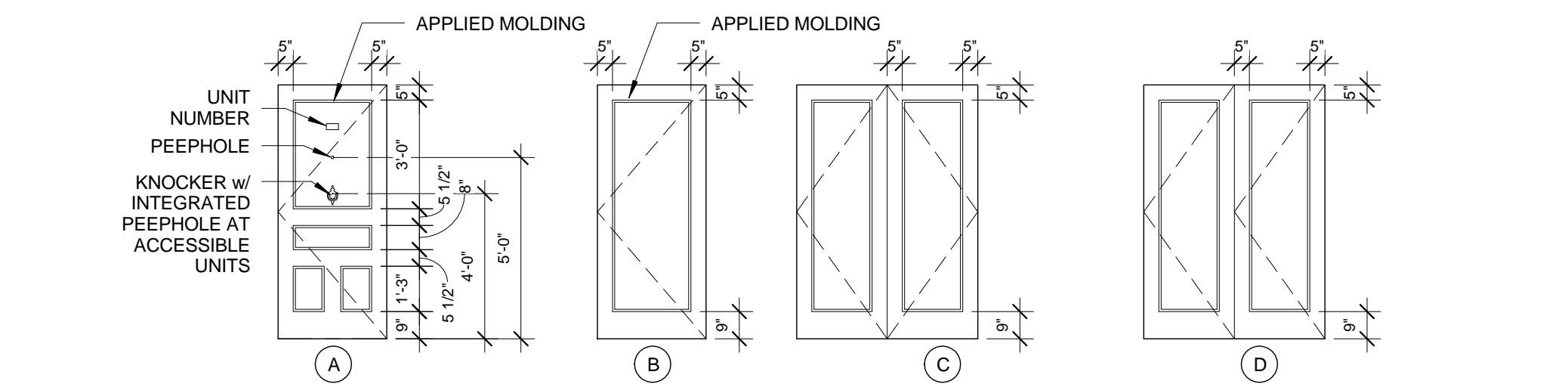


2 | FRAME TYPES
 1/4" = 1'-0"

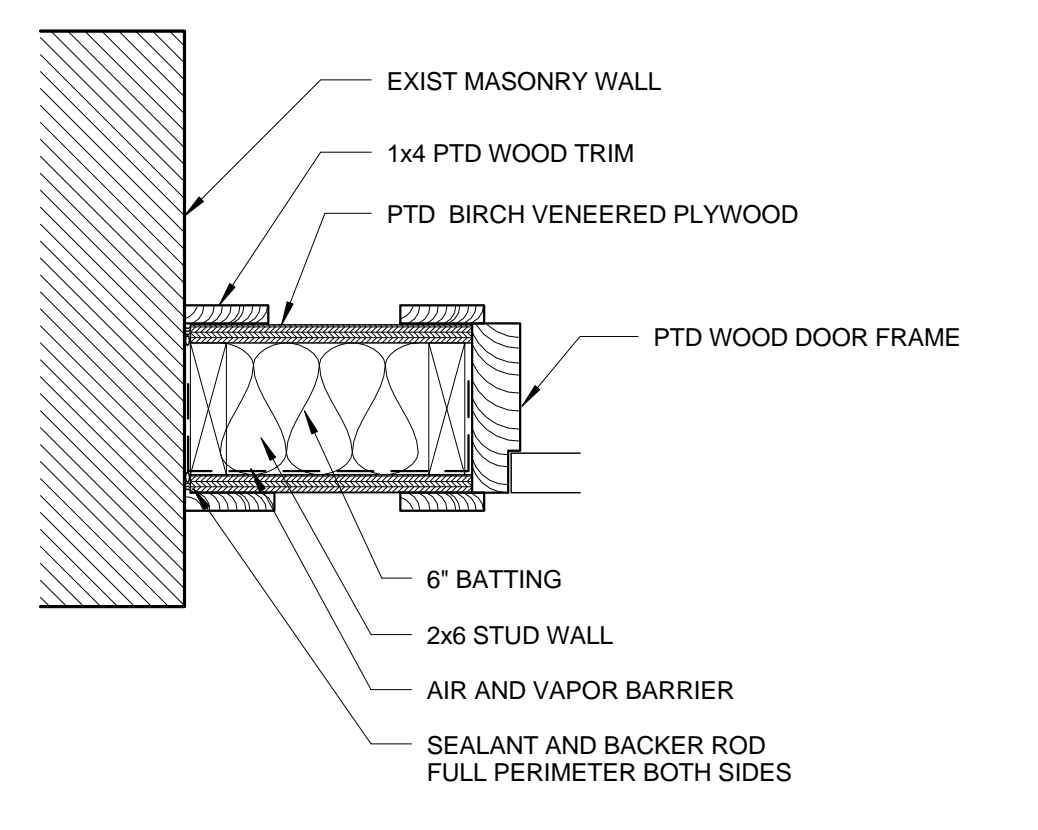
PUBLIC AREA DOORS



UNIT DOORS



1 | LEAF TYPES
 1/4" = 1'-0"



7 | EXTERIOR DOOR PANEL DETAIL
 1 1/2" = 1'-0"