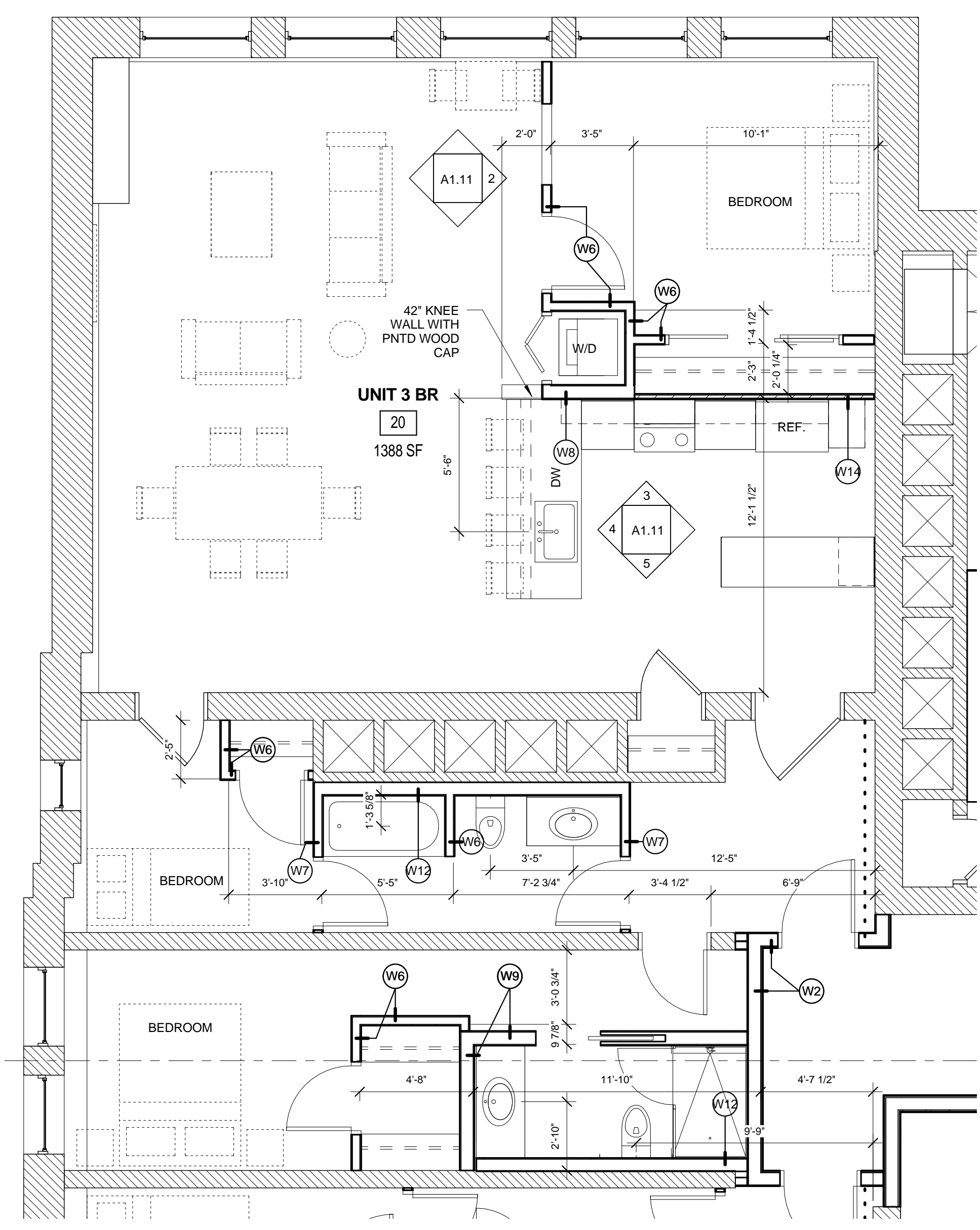


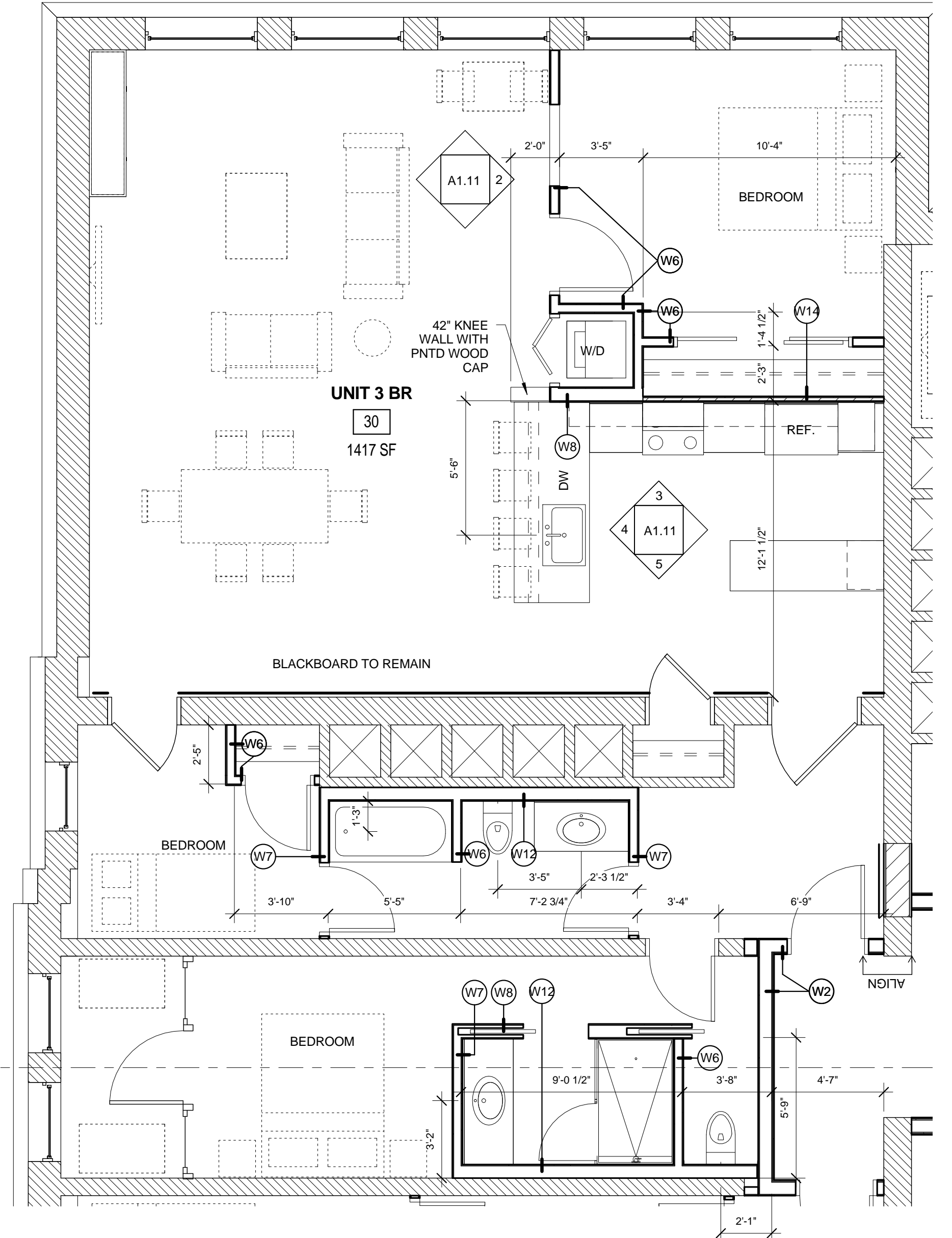
8 | FIRST FLOOR - NORTH CORNER UNIT

1/4" = 1'-0" 0 1'-0" 2'-0" 4'-0" 8'-0"



7 | SECOND FLOOR - NORTH CORNER UNITS

1/4" = 1'-0" 0 1'-0" 2'-0" 4'-0" 8'-0"

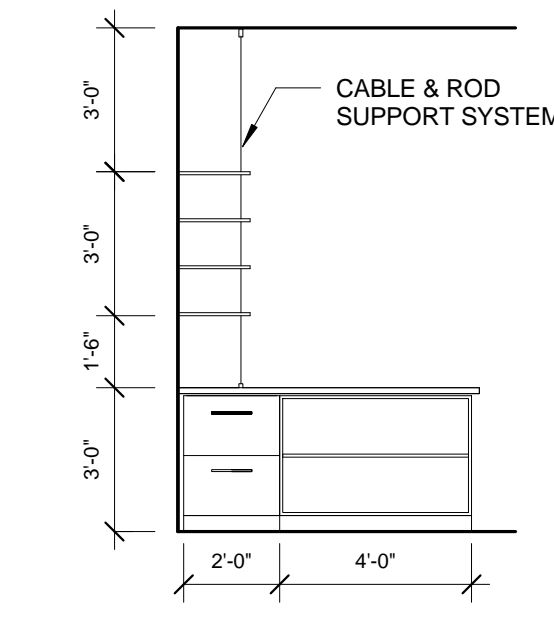


6 | THIRD FLOOR - NORTH CORNER UNITS

1/4" = 1'-0" 0 1'-0" 2'-0" 4'-0" 8'-0"

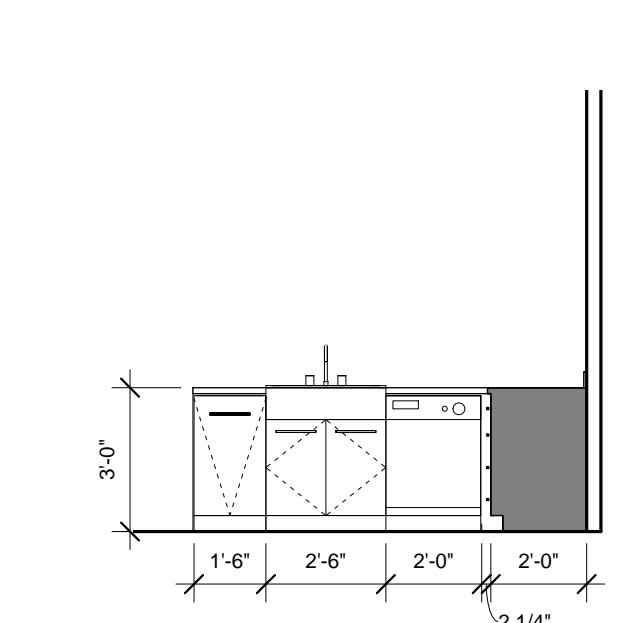
CASEWORK GENERAL NOTES

1. ALL UPPERS ARE TO BE 14" DEEP, U.N.O.
2. ALL FULL-HEIGHT UTILITY CABINETS ARE TO MATCH BASE CABINET DEPTH, U.N.O.
3. OPEN SHELVES, TYP. SHELVES SUPPORTED BY CABLE AND ROD SYSTEM TO CEILING ABOVE AND COUNTER BELOW. BASIS OF DESIGN: B&N INDUSTRIES - CABLE AND ROD SYSTEM. PROVIDE BLOCKING AS NECESSARY TO EXG STRUCTURE AT CEILING AND AT WALL AND AS RECOMMENDED BY MANF.



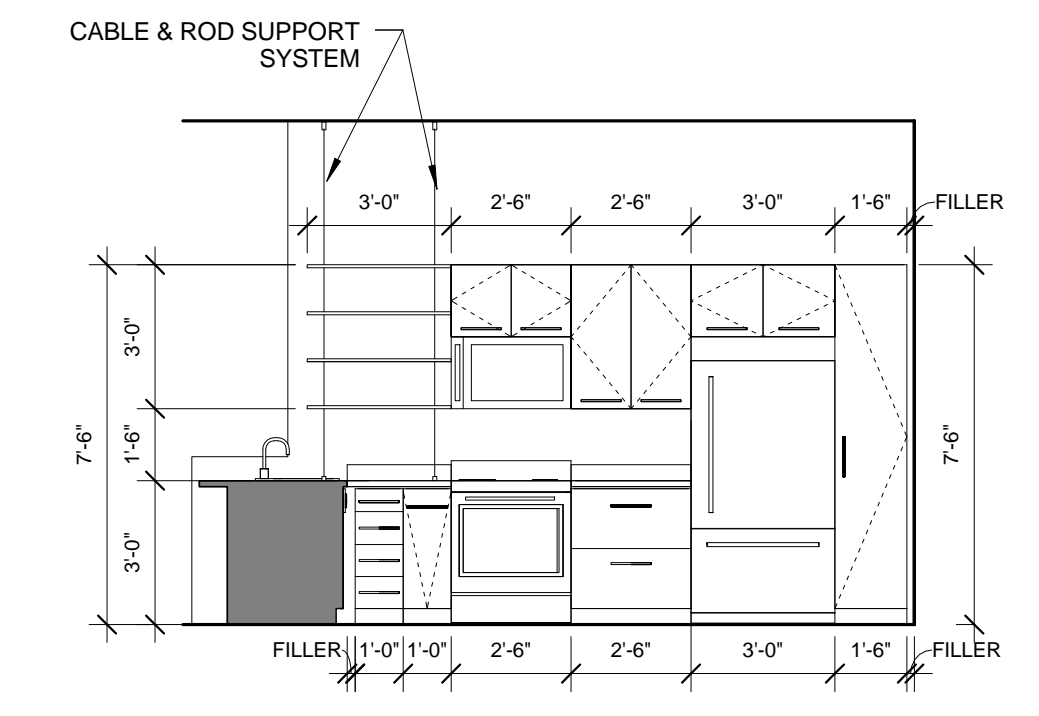
5 | N CORNER UNIT - KITCHEN ELEV. C

1/4" = 1'-0" 0 1'-0" 2'-0" 4'-0" 8'-0"



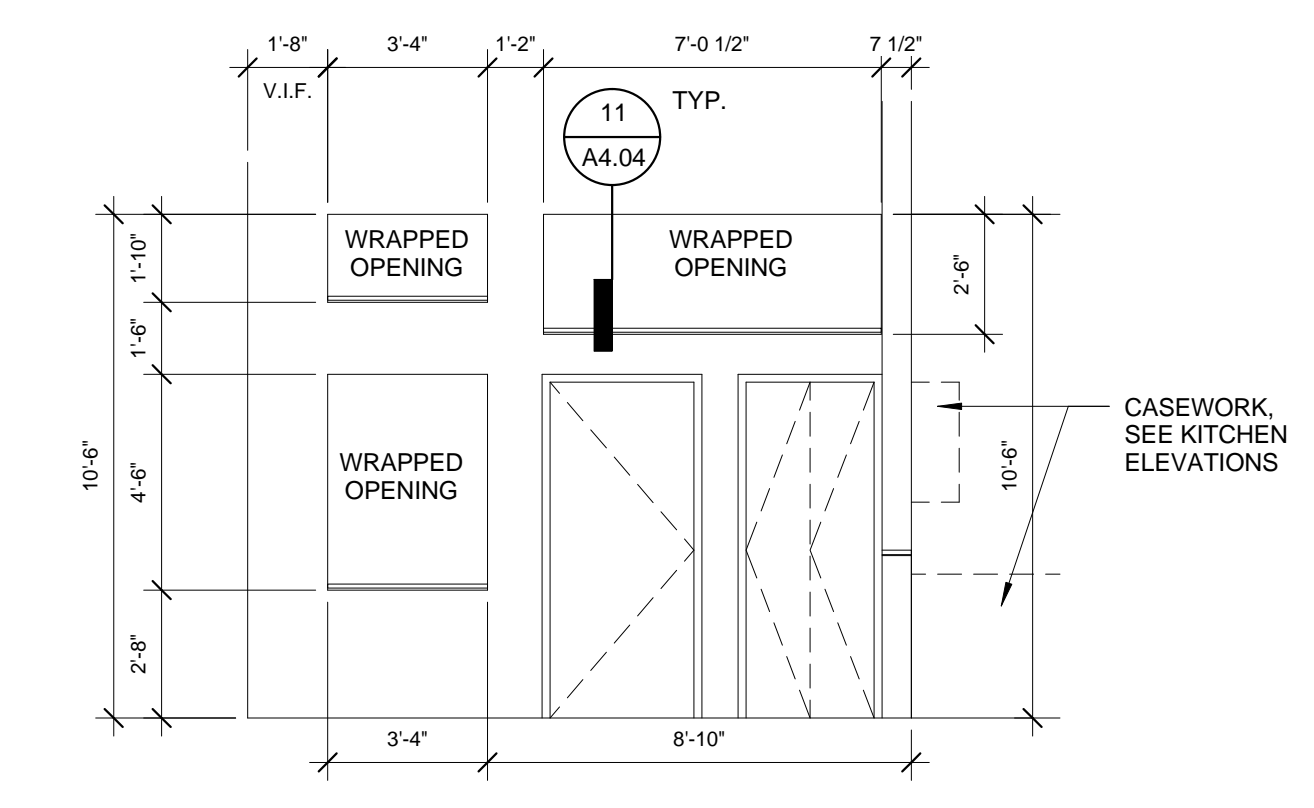
4 | N CORNER UNIT - KITCHEN ELEV. B

1/4" = 1'-0" 0 1'-0" 2'-0" 4'-0" 8'-0"



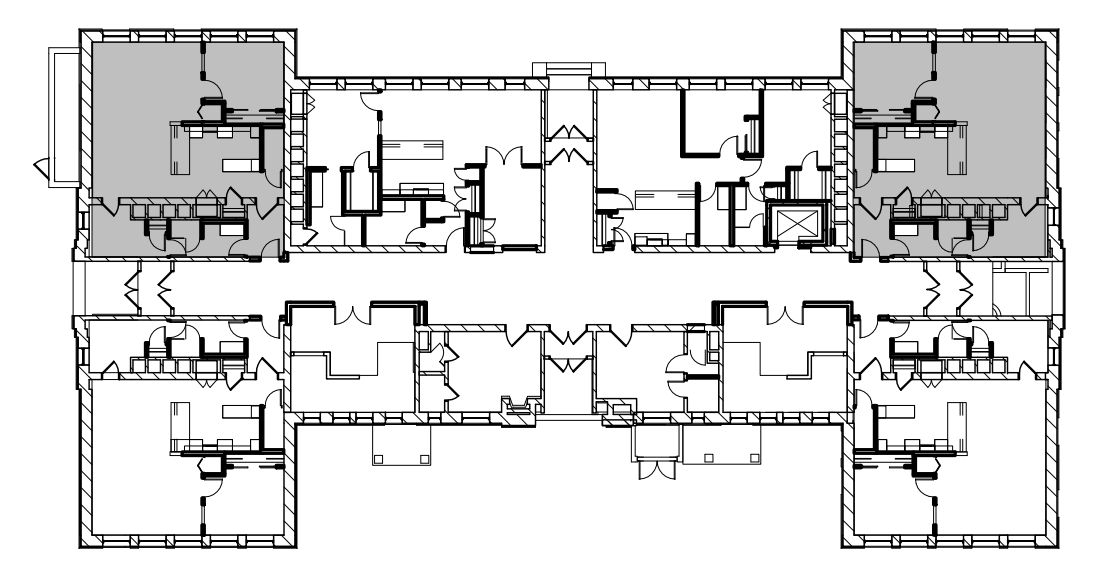
3 | N CORNER UNIT - KITCHEN ELEV. A

1/4" = 1'-0" 0 1'-0" 2'-0" 4'-0" 8'-0"



2 | CORNER UNIT TYPICAL ELEVATION

1/4" = 1'-0" 0 1'-0" 2'-0" 4'-0" 8'-0"



1 | TYP. NORTH CORNER UNITS

1/32" = 1'-0"