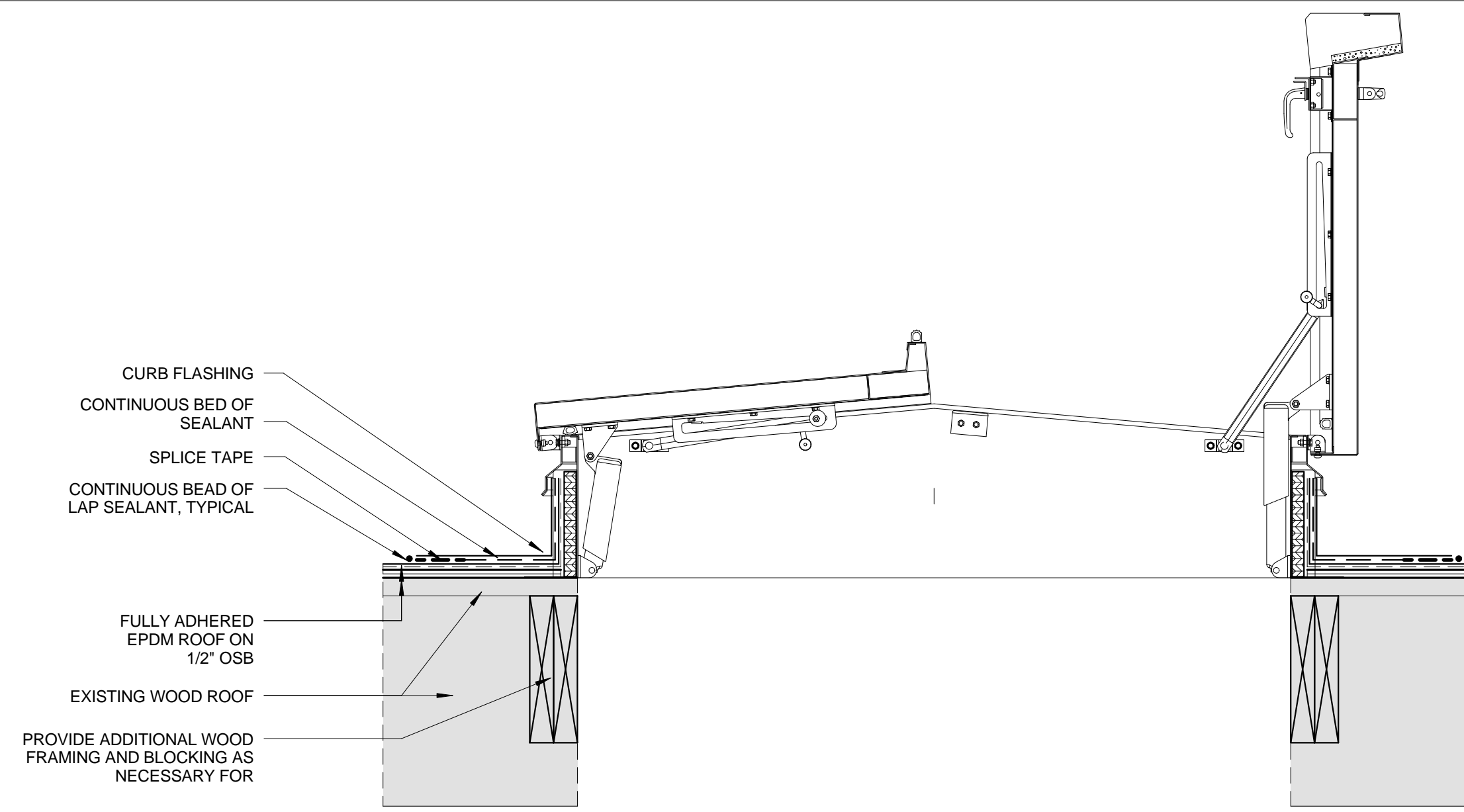


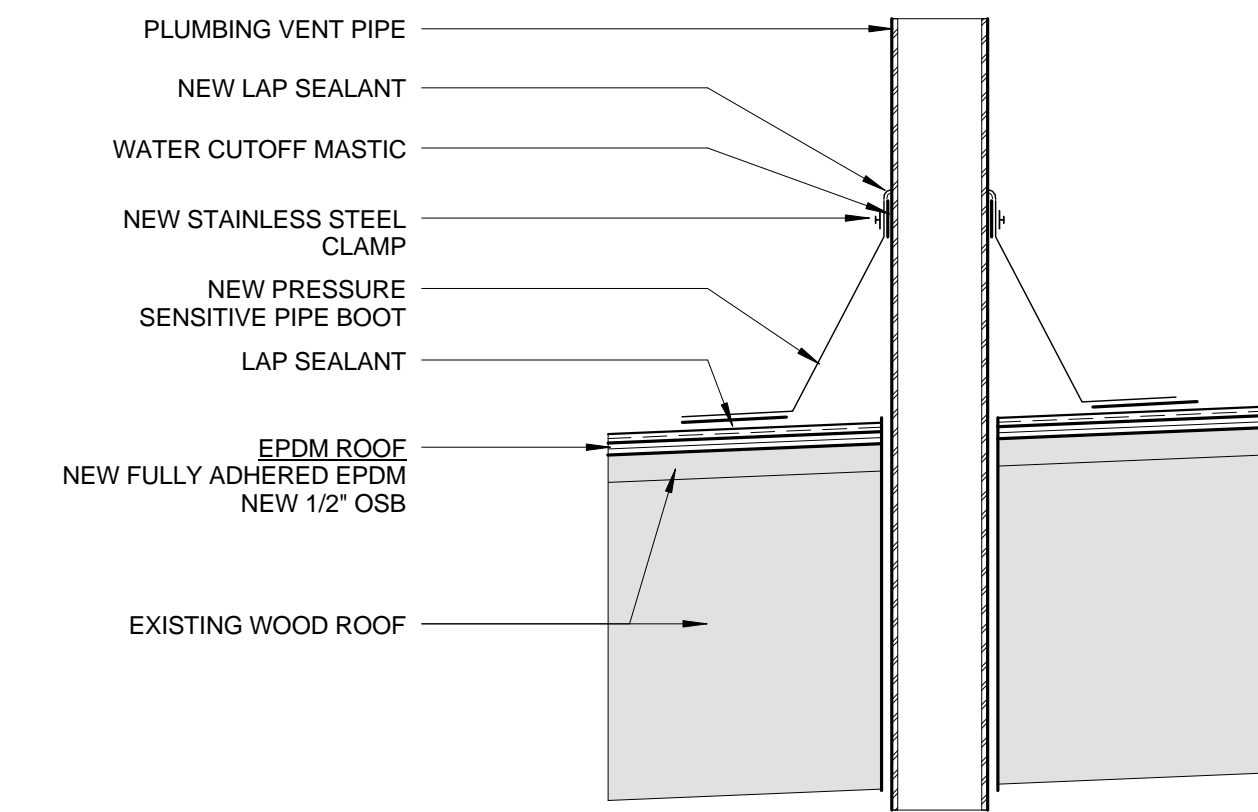
**3 | ROOF DETAIL - ROOF DRAIN**

1 1/2" = 1'-0" 0 3' 6' 9' 12' 15' 18' 21' 24'



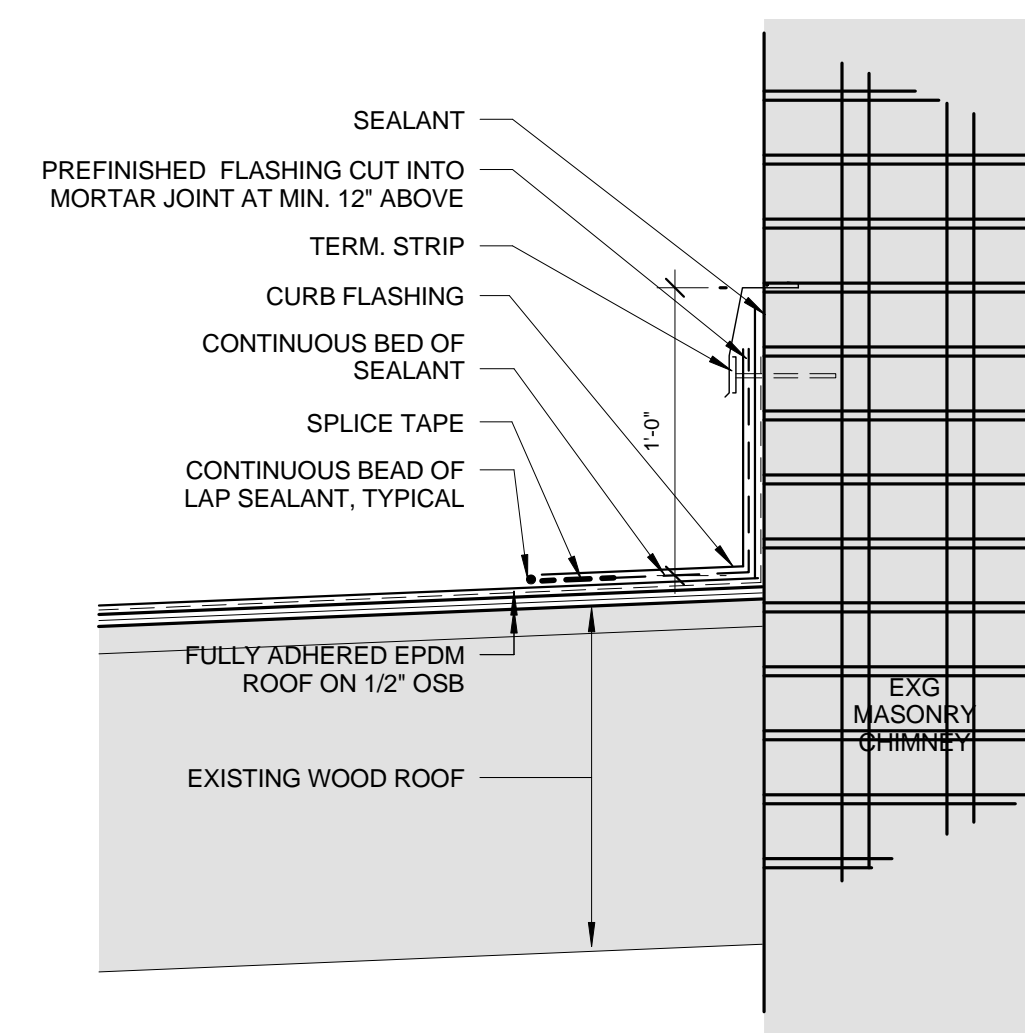
**5 | ROOF DETAIL - ROOF HATCH**

1 1/2" = 1'-0" 0 3' 6' 9' 12' 15' 18' 21' 24'



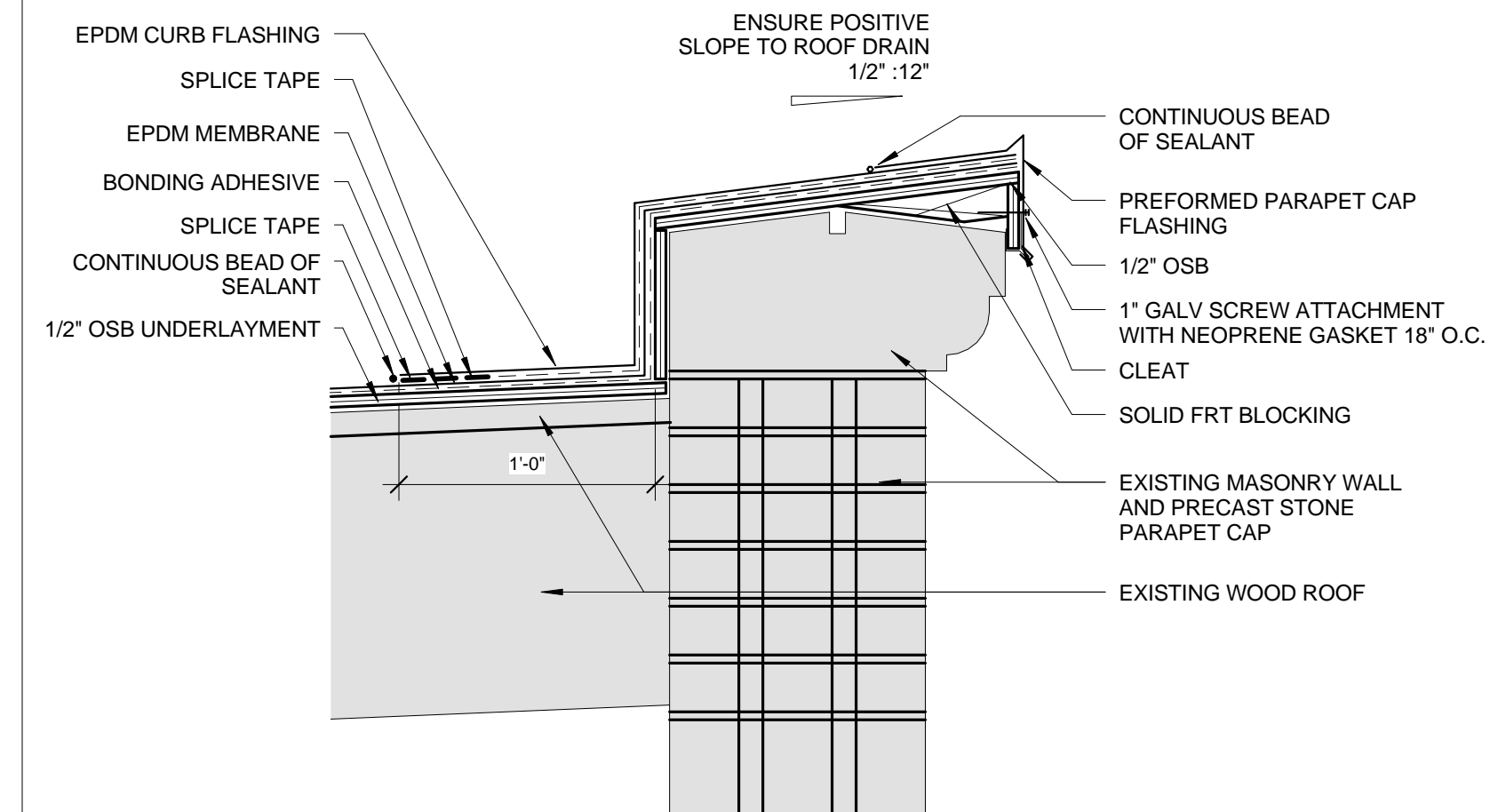
**2 | ROOF DETAIL - PLUMBING VENT**

1 1/2" = 1'-0" 0 3' 6' 9' 12' 15' 18' 21' 24'



**4 | ROOF DETAIL - ROOF TO BRICK WALL DETAIL**

1 1/2" = 1'-0" 0 3' 6' 9' 12' 15' 18' 21' 24'



**1 | ROOF DETAIL - PARAPET CAP DETAIL**

1 1/2" = 1'-0" 0 3' 6' 9' 12' 15' 18' 21' 24'