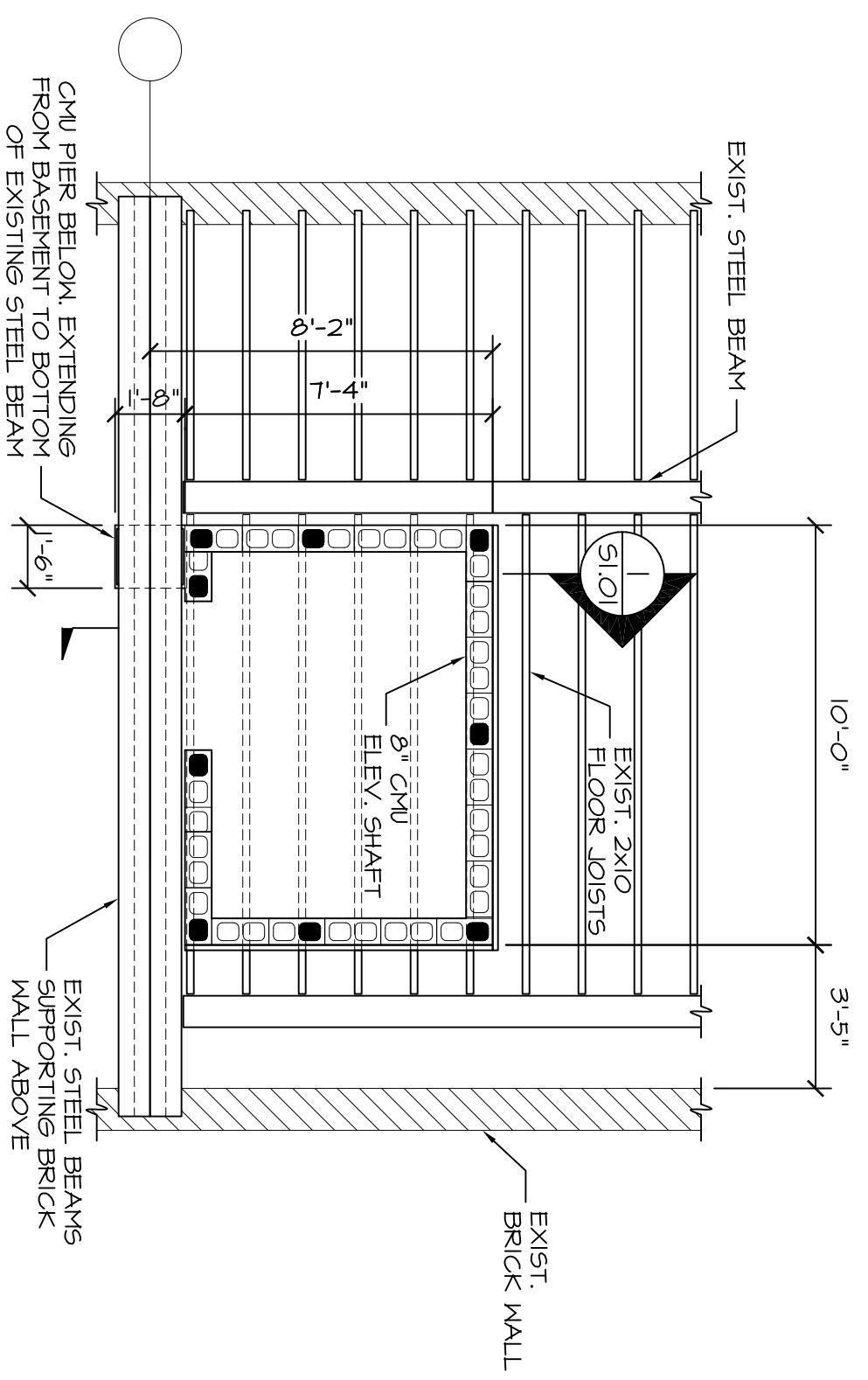
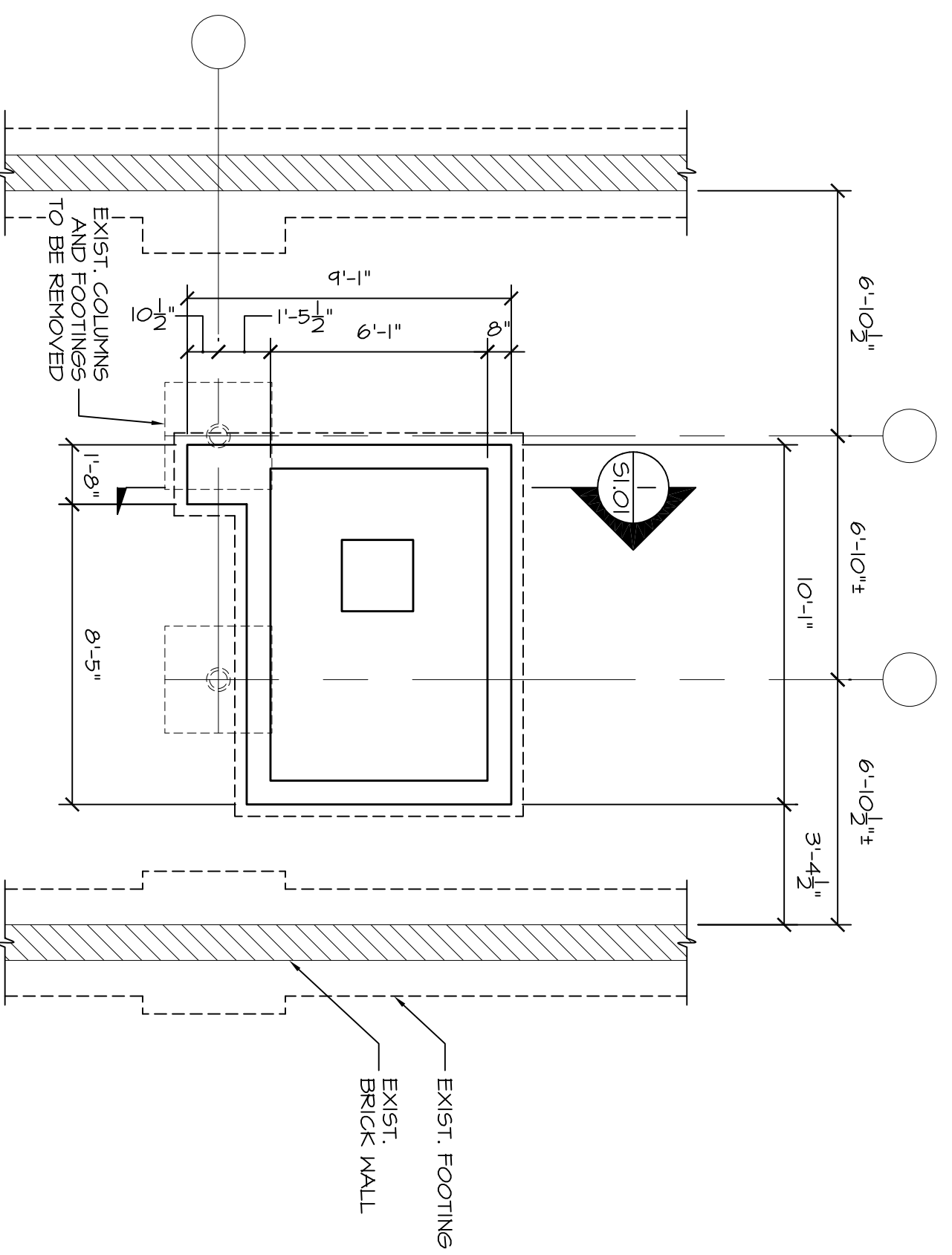


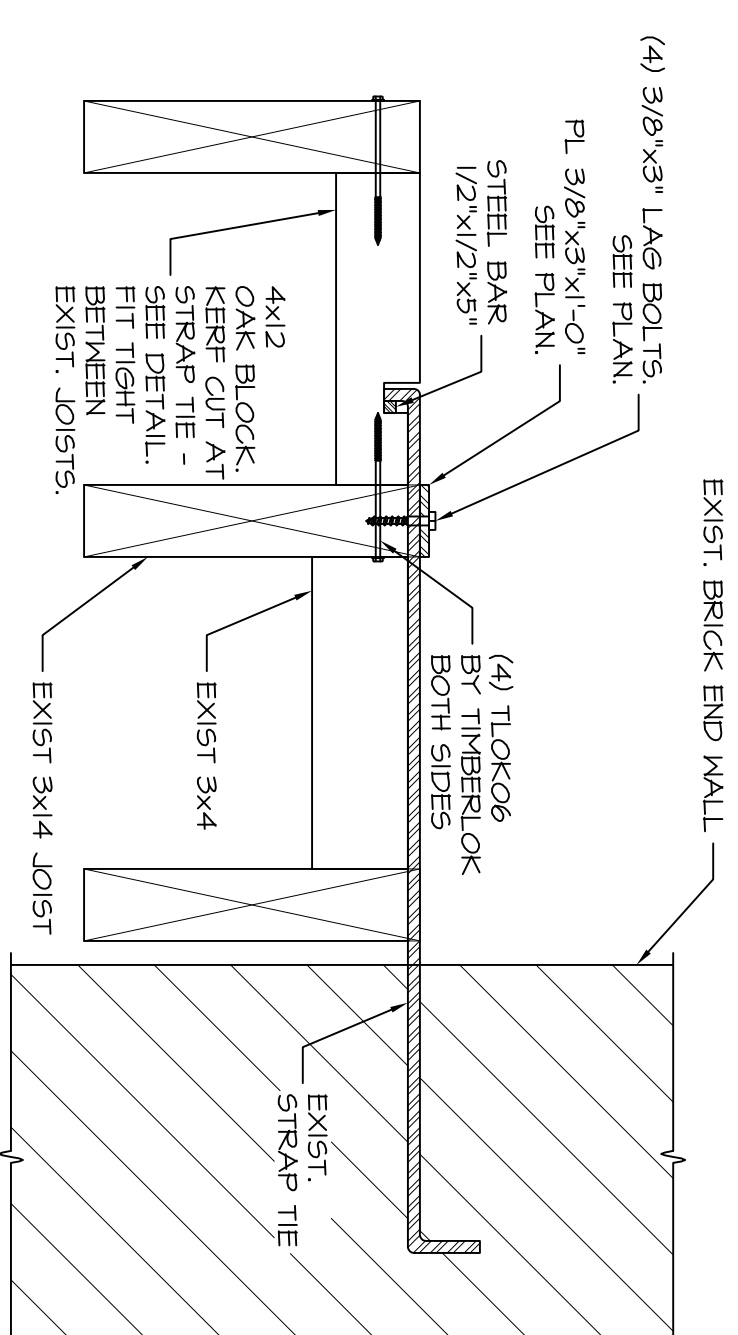
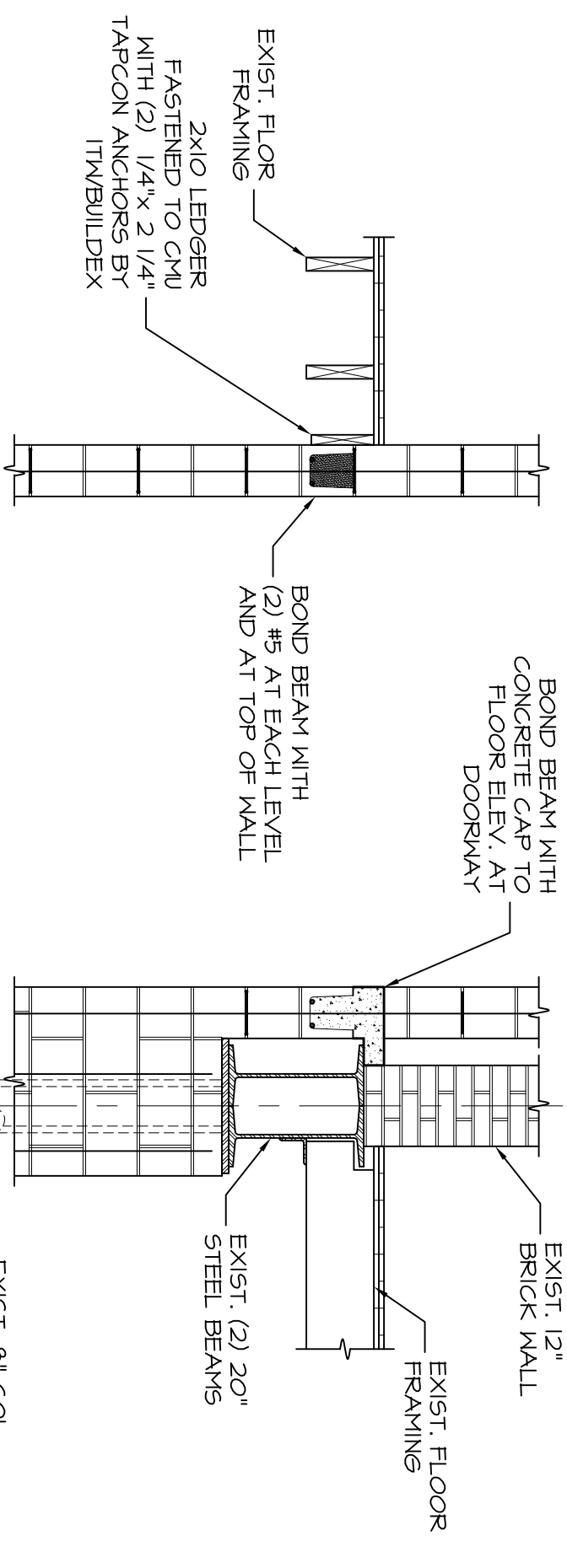
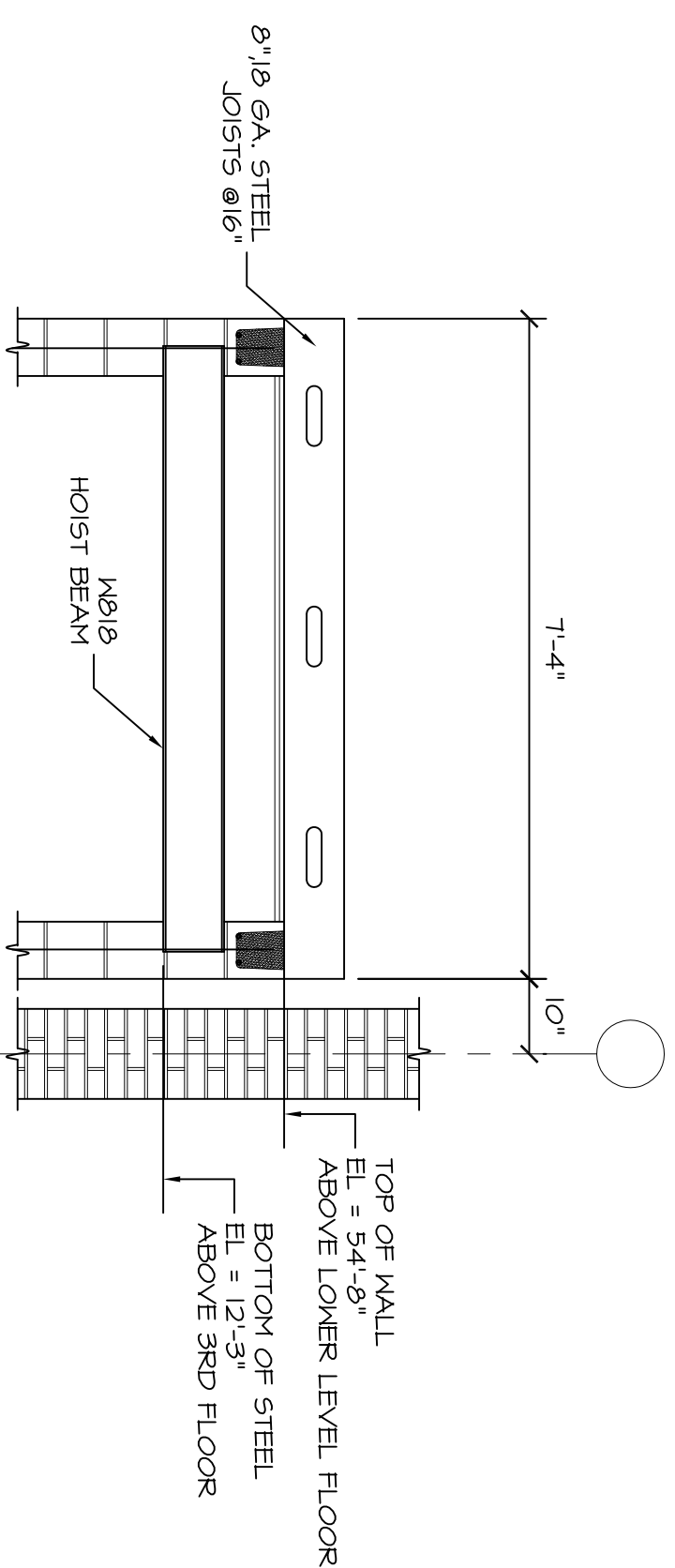
2ND & 3RD FLOOR ELEVATOR PLAN
1/4"=1'-0"



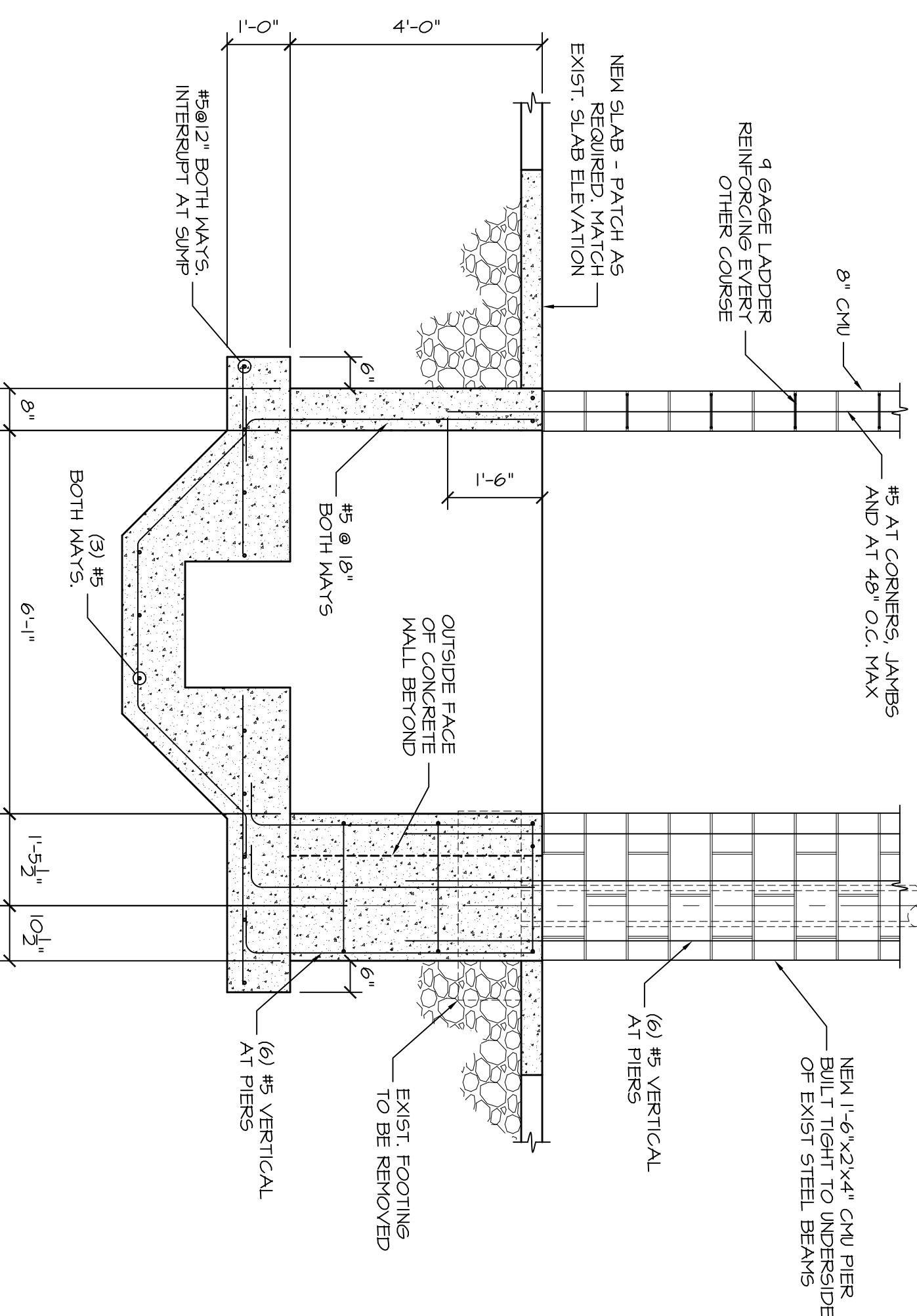
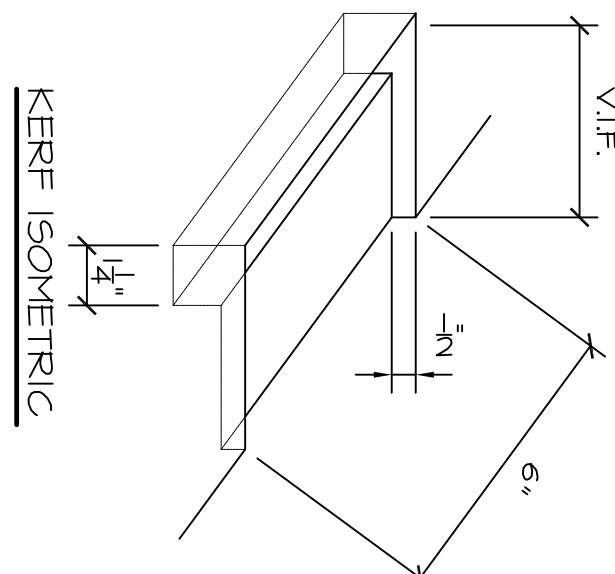
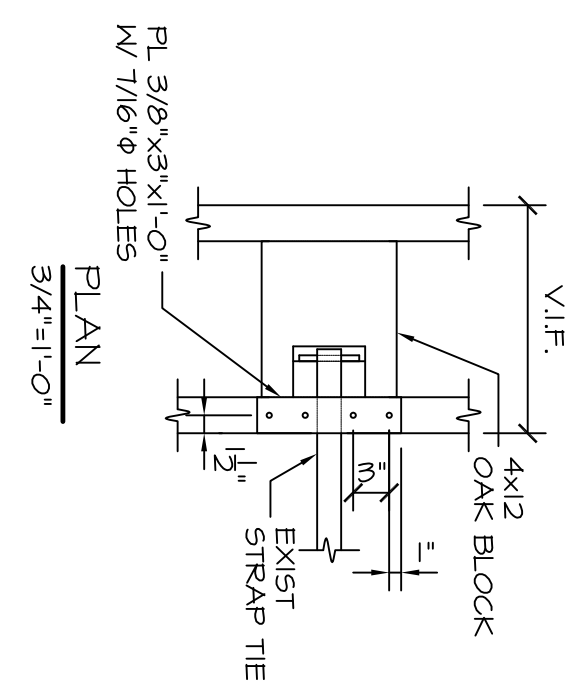
1ST FLOOR ELEVATOR PLAN
1/4"=1'-0"



BASEMENT ELEVATOR PLAN
1/4"=1'-0"



WALL TIE REINFORCEMENT DETAIL
1/2"=1'-0"



SECTION 1
1/2"=1'-0" S1.01
COORDINATE ALL ELEVATOR PIT DIMENSIONS INCLUDING SHIP SIZE AND LOCATION WITH ELEVATOR SUPPLIER.

LOOSE LINTEL SCHEDULE	
ROUGH OPENING	LINTEL SIZE
UP TO 3'-0"	L 3 1/2x3 1/2x5/16
>3'-0" TO 4'-6"	L 4x3 1/2x5/16 LLV
>4'-6" TO 6'-0"	L 5x3 1/2x5/16 LLV
>6'-0" TO 8'-0"	L 6x3 1/2x5/16 LLV

INSTALL ONE STEEL ANGLE LINTEL FOR EACH 4" OF WALL THICKNESS.
ALL EXTERIOR LINTELS ARE GALVANIZED.
PROVIDE 6" BEARING AT EACH END.