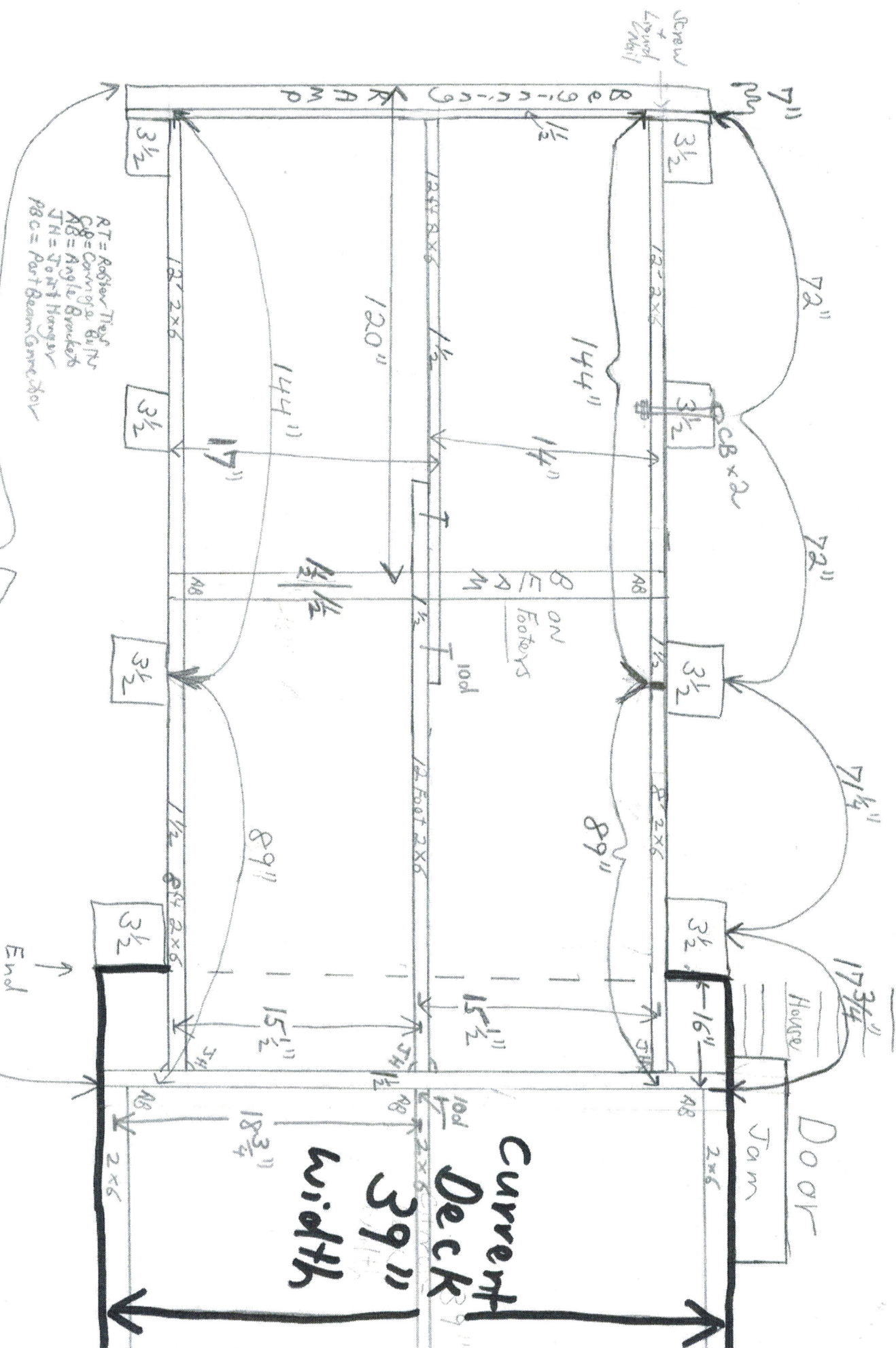


Top View Looking Down

240"
(20 Feet)
Ramp Length



RT = Rafter Tie
 CB = Curved Bolt
 AB = Angle Bracket
 TH = Joint Hanger
 PBC = Post Beam Connector

Current Deck
 39" width

End Current Deck

Door

Jam

House