



NEW ENGLAND VENTILATION TECHNOLOGIES

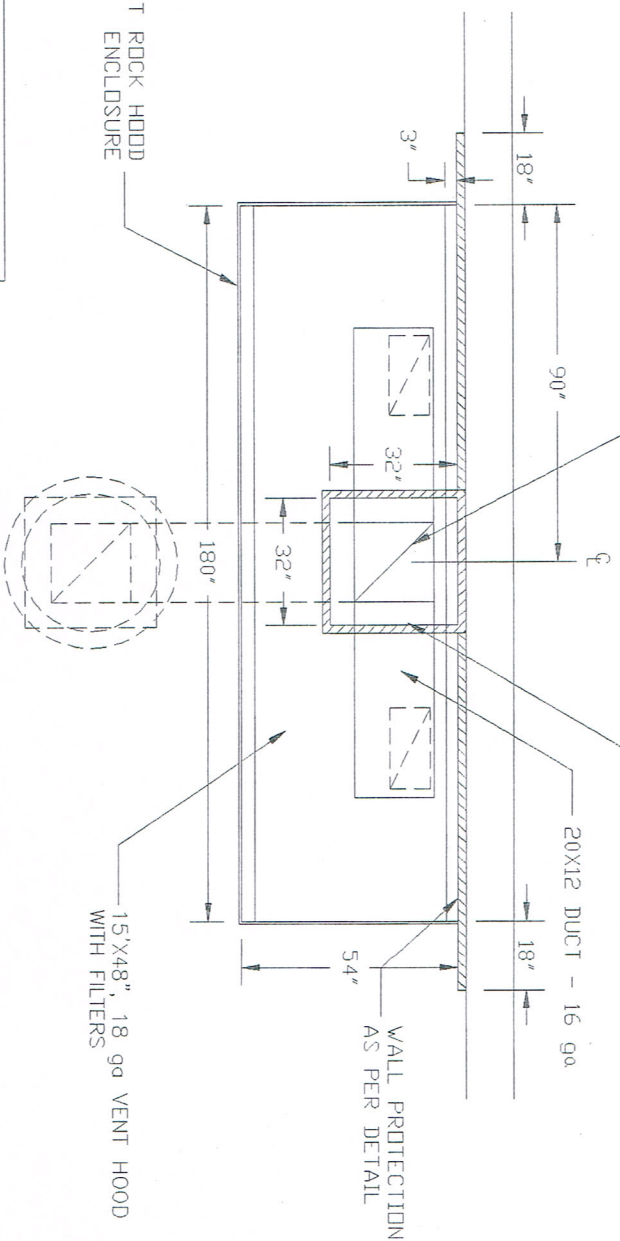
20X20 EXHAUST DUCT - 16 ga
UP TO ROOF MTD. EXHAUST BLOWER

1-HR RATED CHASE
CONSTRUCTION

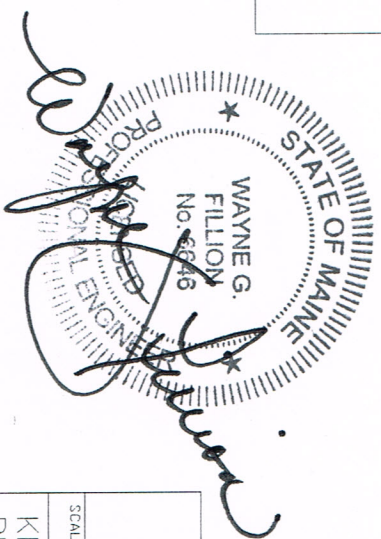
20X12 DUCT - 16 ga

SHEET ROCK HOOD
ENCLOSURE

15'x48", 18 ga VENT HOOD
WITH FILTERS



- NOTES:
1. AN APPROVED FIRE SUPPRESSION SYSTEM TO BE INSTALLED. TWO NFPA HOODS.
 2. 4 - NFPA APPROVED LIGHTS TO BE INCLUDED WITH HOOD.



SALVAGE BRQ
PORTLAND, ME

SCALE 1/4" = 1'-0" DATE 3-12-13 DRAWN BY RDD
 KITCHEN HOOD VENTILATION SYSTEM
 PLAN VIEW

DRAWING NUMBER
KV-1