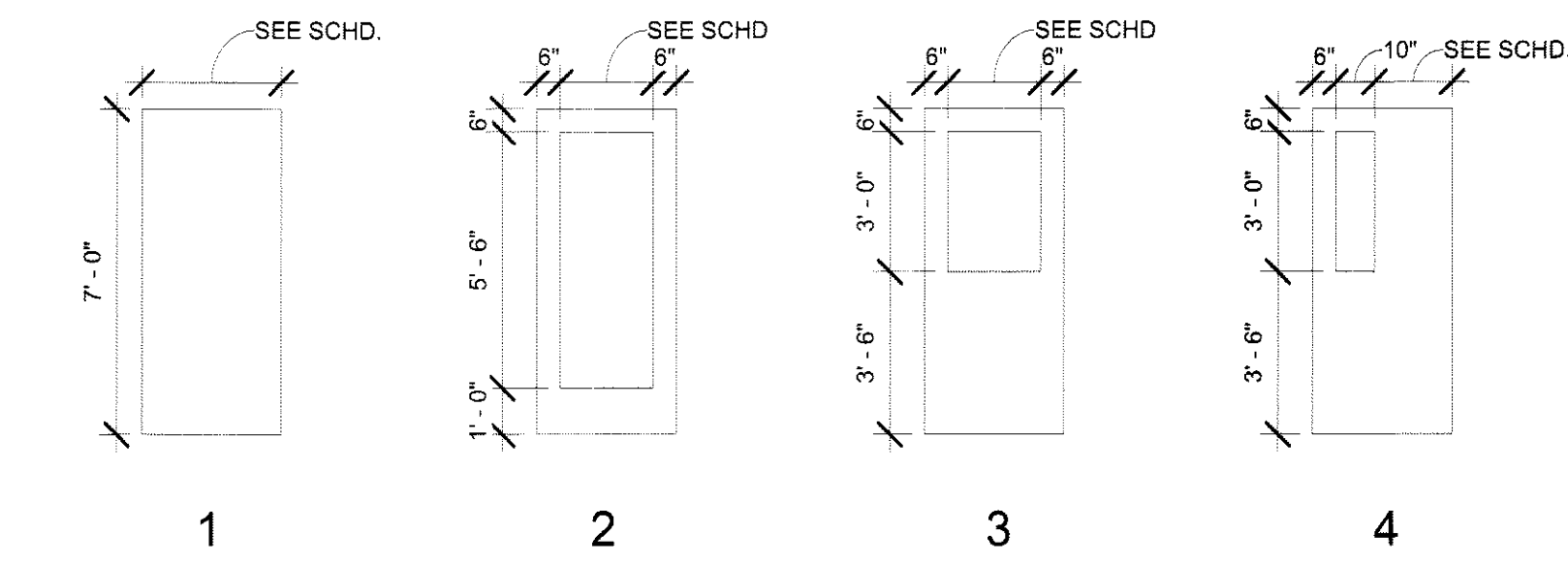
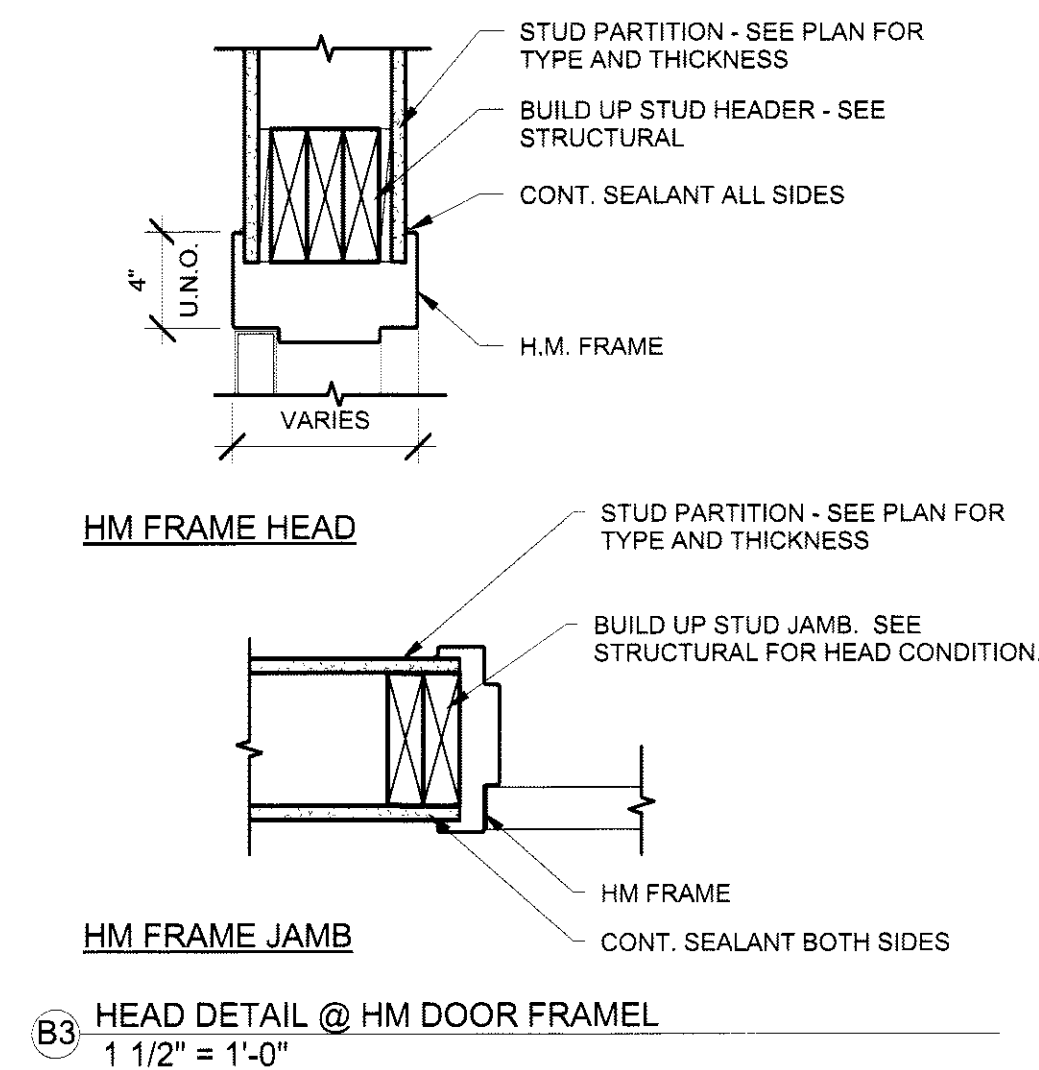
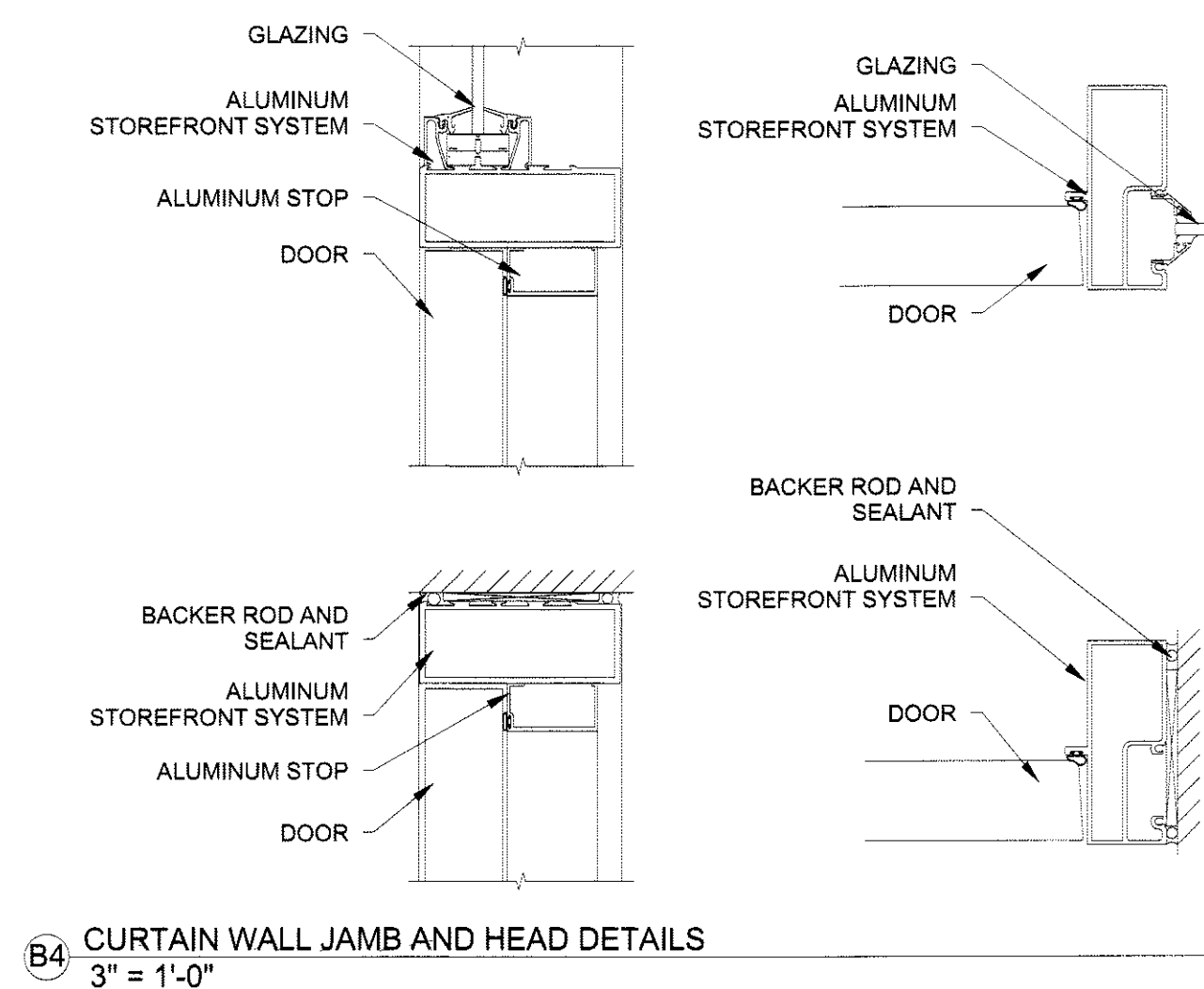
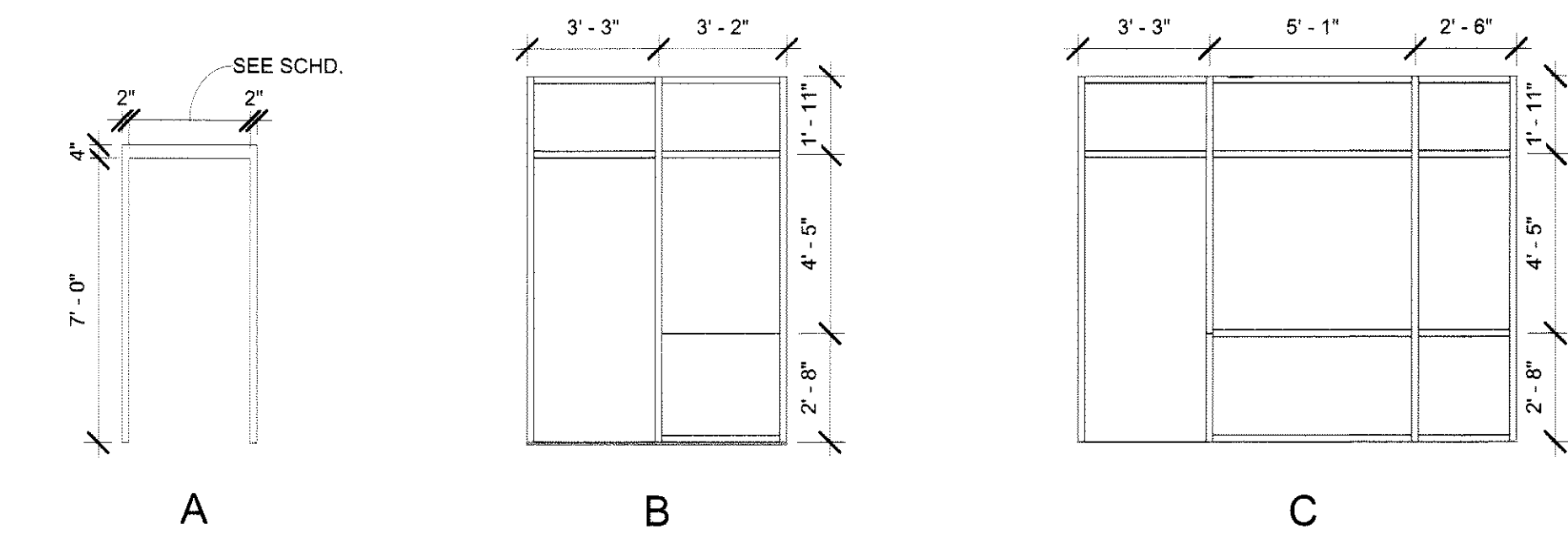


DOOR AND FRAME SCHEDULE												
Level	DOOR NO.	ROOM NAME	Width	Height	Panel Type	DOOR MATERIAL	Frame Elevation	FRAME		LOCK	RATING	NOTES
								MTL	FRAME HEAD/JAMB			
BASEMENT	001A	TUBE SERVICE	3' - 0"	7' - 0"	1	HM	A	HM	B3/A601	MAG SWIPE		
FIRST FLOOR	101A	ENTRY	6' - 0"	7' - 0"	2	AL	E	AL	B4/A601	MAG SWIPE, MEDECO KEY		MAG SWIPE FOR AFTER HOURS ATM ACCESS
FIRST FLOOR	101B	VESTIBULE	6' - 0"	7' - 0"	2	AL	A	AL	B4/A601	MEDECO KEY		
FIRST FLOOR	103	TELLER AREA	2' - 8"	7' - 0"	1	WD	A	HM	B3/A601	MAG SWIPE		
FIRST FLOOR	104	OFFICE 1	3' - 0"	7' - 0"	2	WD	D	AL	B4/A601	PASSAGE		
FIRST FLOOR	105	TOILET	3' - 0"	7' - 0"	1	WD	A	HM	B3/A601	MAG SWIPE		
FIRST FLOOR	106	STORAGE	5' - 8"	7' - 0"	1	WD	A	HM	B3/A601	MAG SWIPE		
FIRST FLOOR	107	OFFICE	3' - 0"	7' - 0"	2	WD	A	AL	B4/A601	PASSAGE		
FIRST FLOOR	108	ATM	3' - 0"	7' - 0"	1	WD	A	HM	B3/A601	MAG SWIPE		
FIRST FLOOR	109	VAULT	3' - 0"	7' - 0"	1	HM	A	HM	B3/A601			
FIRST FLOOR	110A	EXTERIOR	3' - 0"	7' - 0"	3	HM	A	HM	B3/A601	MAG SWIPE, MEDECO KEY		ONE WAY SHADED FILM APPLIED TO INTERIOR GLASS
FIRST FLOOR	110B	LOBBY	3' - 0"	7' - 0"	1	WD	A	HM	B3/A601	MAG SWIPE		PEEP HOLE, CENTERED IN WIDTH, 5'-0" A.F.F.
FIRST FLOOR	110C	TELLER AREA	3' - 0"	7' - 0"	4	WD	A	HM	B3/A601	MAG SWIPE		
FIRST FLOOR	111	OFFICE 4	3' - 0"	7' - 0"	2	WD	C	AL	B4/A601	PASSAGE		
FIRST FLOOR	112	OFFICE 3	3' - 0"	7' - 0"	2	WD	C	AL	B4/A601	PASSAGE		
FIRST FLOOR	113	OFFICE 2	3' - 0"	7' - 0"	2	WD	B	AL	B4/A601	PASSAGE		
FIRST FLOOR	114	ATM	3' - 0"	7' - 0"	1	WD	A	HM	B3/A601	MAG SWIPE		
FIRST FLOOR	S101A	STAIR 1	3' - 0"	7' - 0"	1	WD	A	HM	B3/A601	MAG SWIPE	45 MIN	LOCAL ALARMED EXIT PANIC BAR WITH MAGSWIPE OVERRIDE
FIRST FLOOR	S101B	EXTERIOR	3' - 0"	7' - 0"	1	HM	A	HM	B3/A601	MEDECO KEY		NO DOOR HANDLE ON EXTERIOR, EXIT PANIC BAR
FIRST FLOOR	S102	EXTERIOR	3' - 0"	7' - 0"	1	HM	A	HM	B3/A601	MEDECO KEY		NO DOOR HANDLE ON EXTERIOR, EXIT PANIC BAR

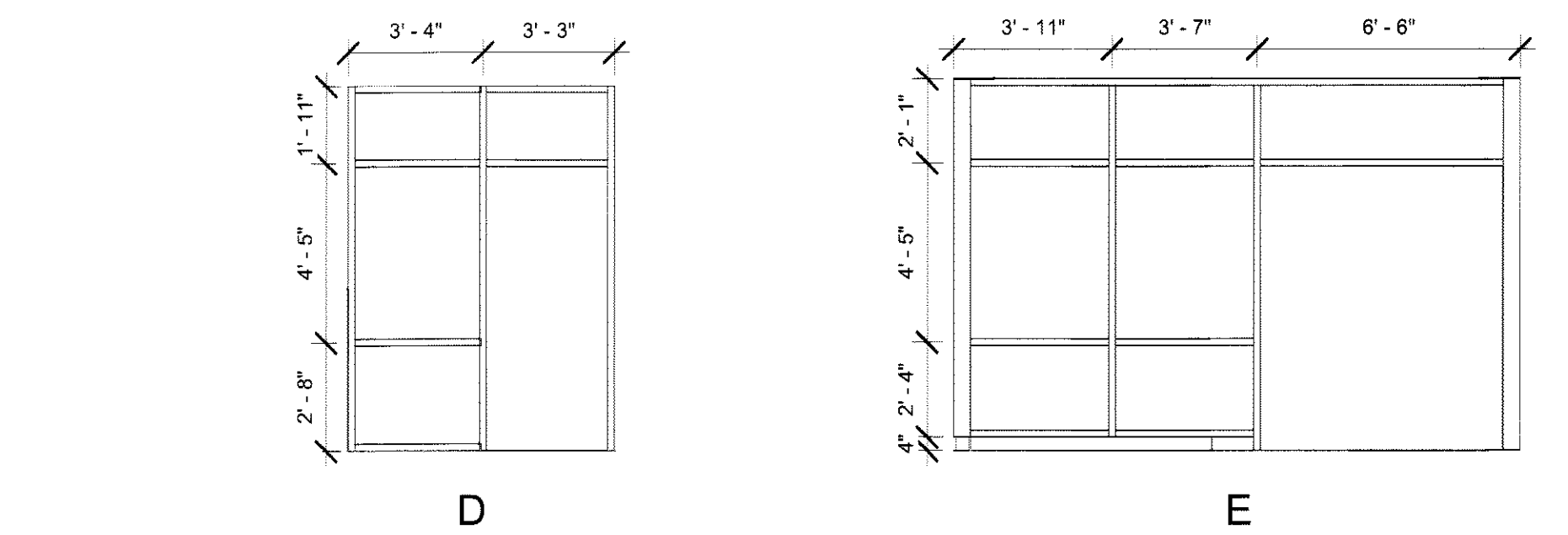
WINDOW SCHEDULE			
Count	Height	Width	Type Mark
7	6' - 6"	4' - 10"	A
2	2' - 0"	4' - 10"	B
8	3' - 7"		E



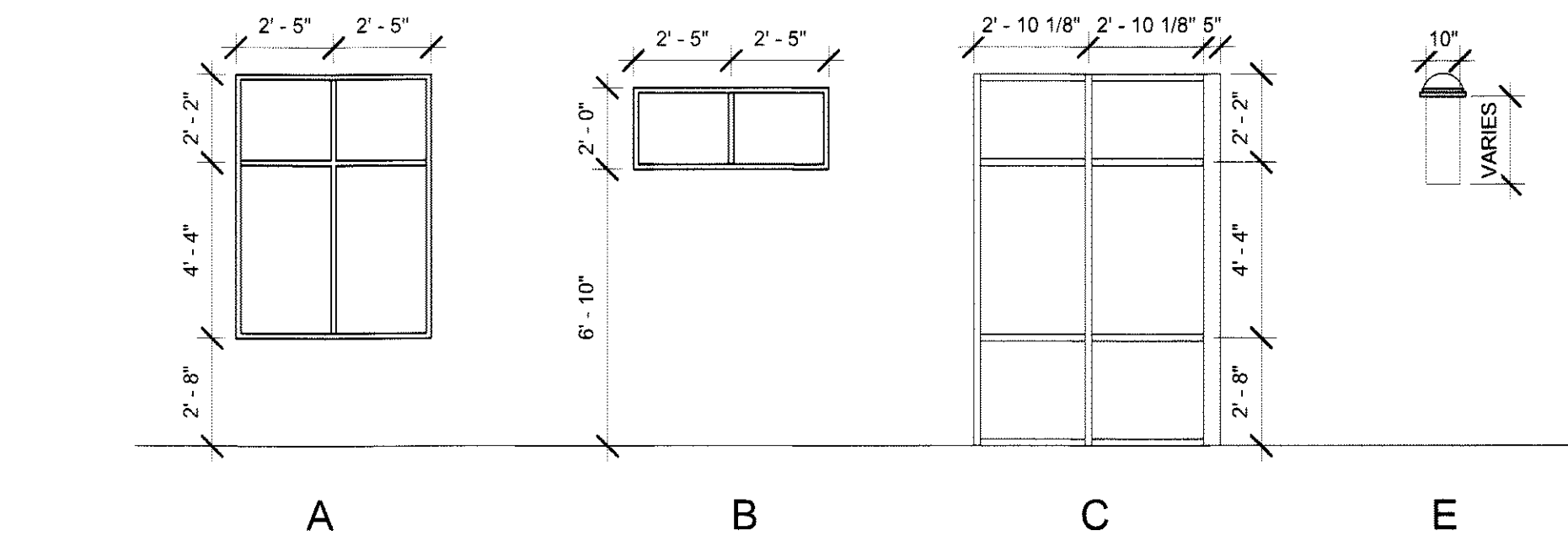
D2 PANEL ELEVATIONS
1/4" = 1'-0"



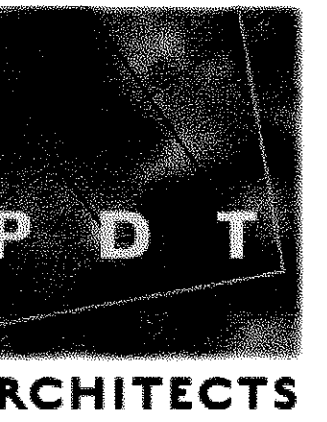
B2 FRAME SCHEDULE
1/4" = 1'-0"



B2 FRAME SCHEDULE
1/4" = 1'-0"



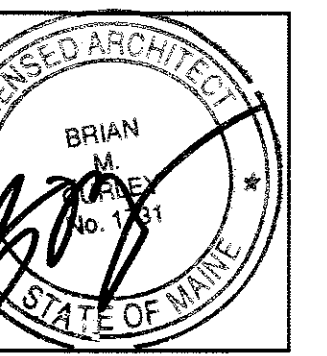
A2 WINDOW SCHEDULE
1/4" = 1'-0"



49 DARTMOUTH STREET
PORTLAND, MAINE 04101
207-775-1059
www.pdtarch.com

COPYRIGHT
PDT Architects
Reuse or reproduction of the
contents of this document is not
permitted without written
permission of PDT Architects.

TruChoice FCU - 272 Park Avenue
272 Park Ave
Portland Maine 04041



JOB NO.
12042

DRWN. Author
CHK. Checker

SCALE:
As indicated

ISSUE
04/26/2013

TITLE
DOOR AND WINDOW
SCHEDULE

SHEET
A601