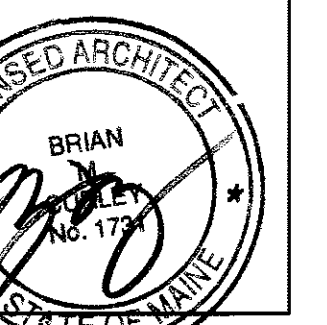


49 DARTMOUTH STREET
PORTLAND, MAINE 04101
207-775-1059
www.pdtarch.com

COPYRIGHT
PDT Architects
Reuse or reproduction of the
contents of this document is not
permitted without written
permission of PDT Architects.

TruChoice FCU - 272 Park Avenue
272 Park Ave
Portland Maine 04041



JOB NO.
12042

DRWN. JRB
CHK. BMC

SCALE:
As indicated

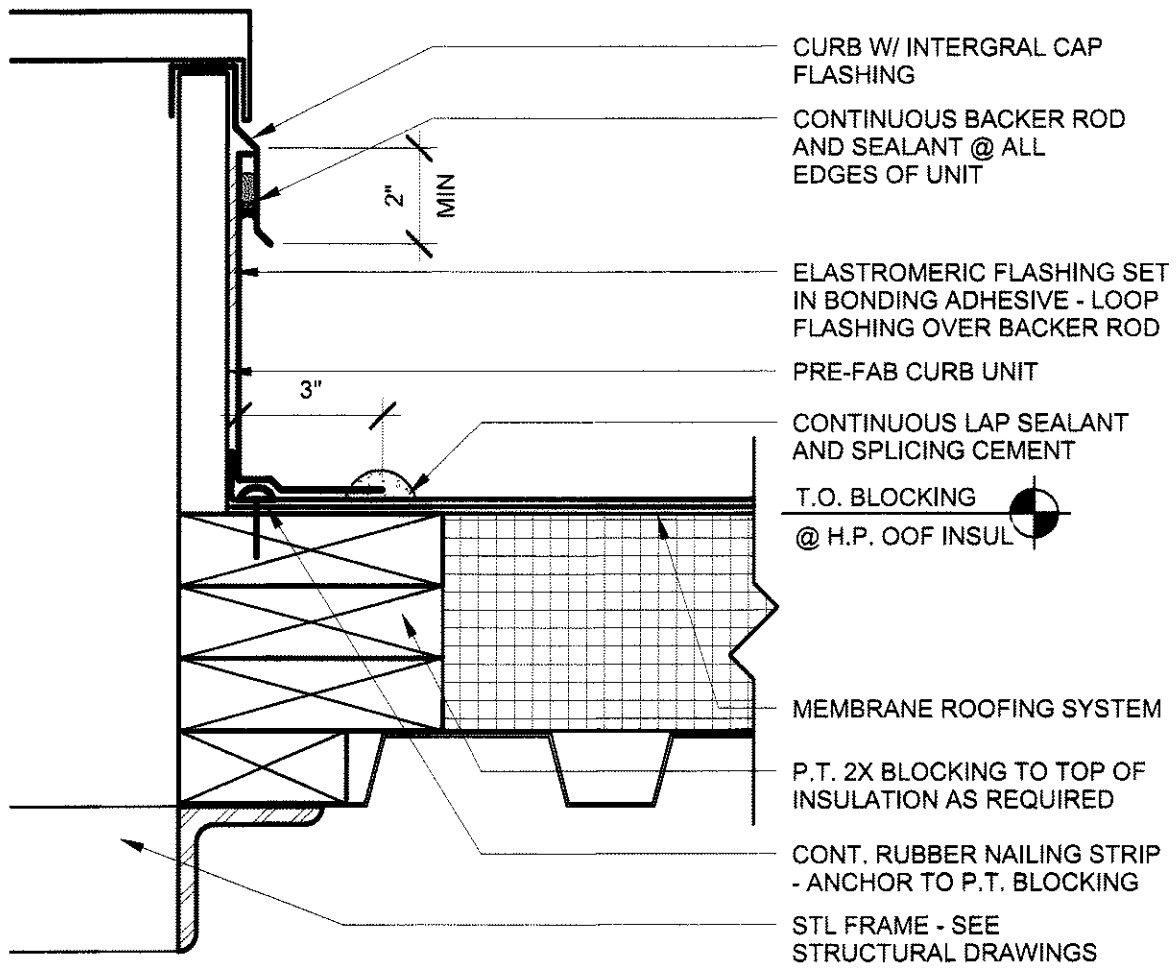
ISSUE
04/26/2013

TITLE
ROOF PLAN &
TYP. ROOF
DETAILS

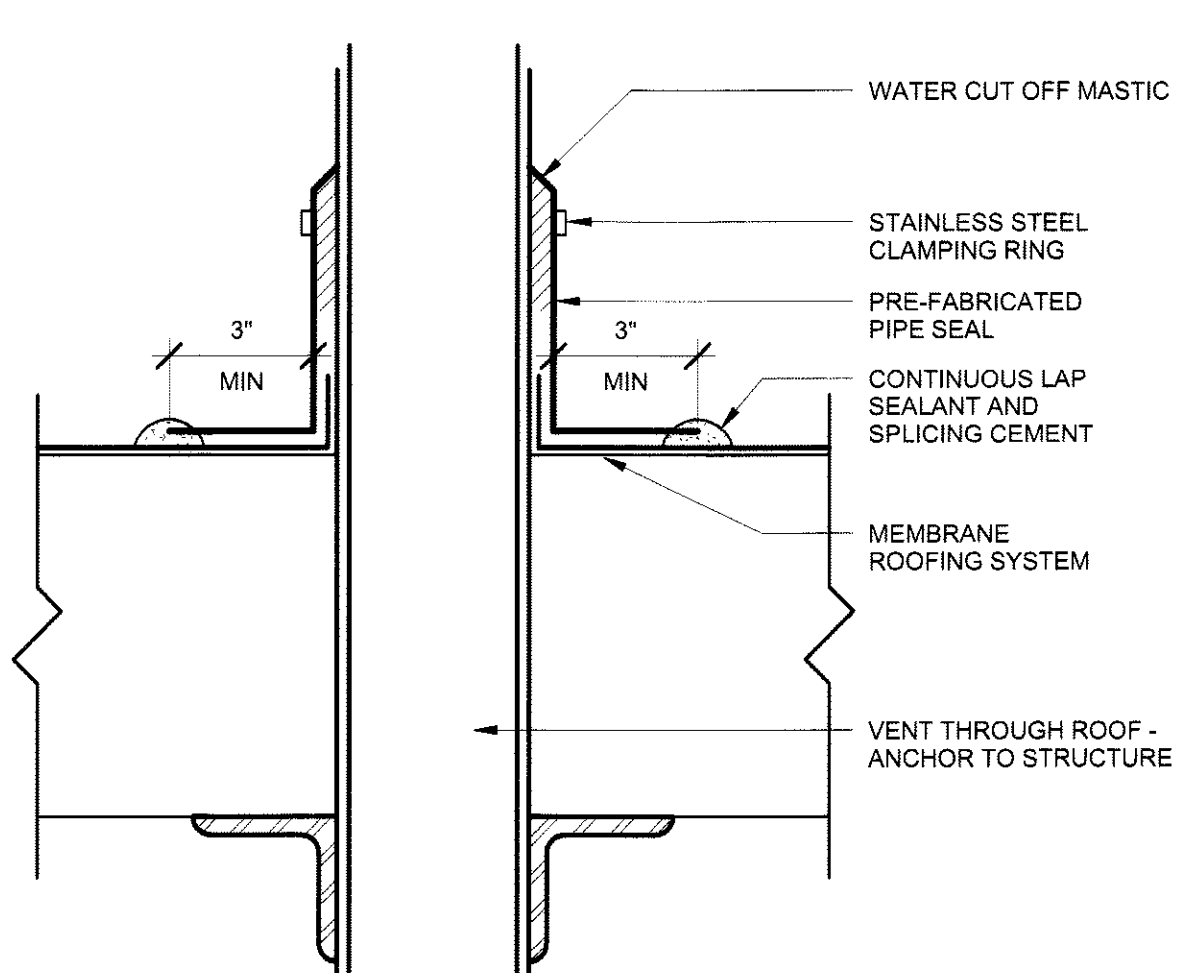
SHEET
A106

ROOF NOTES:

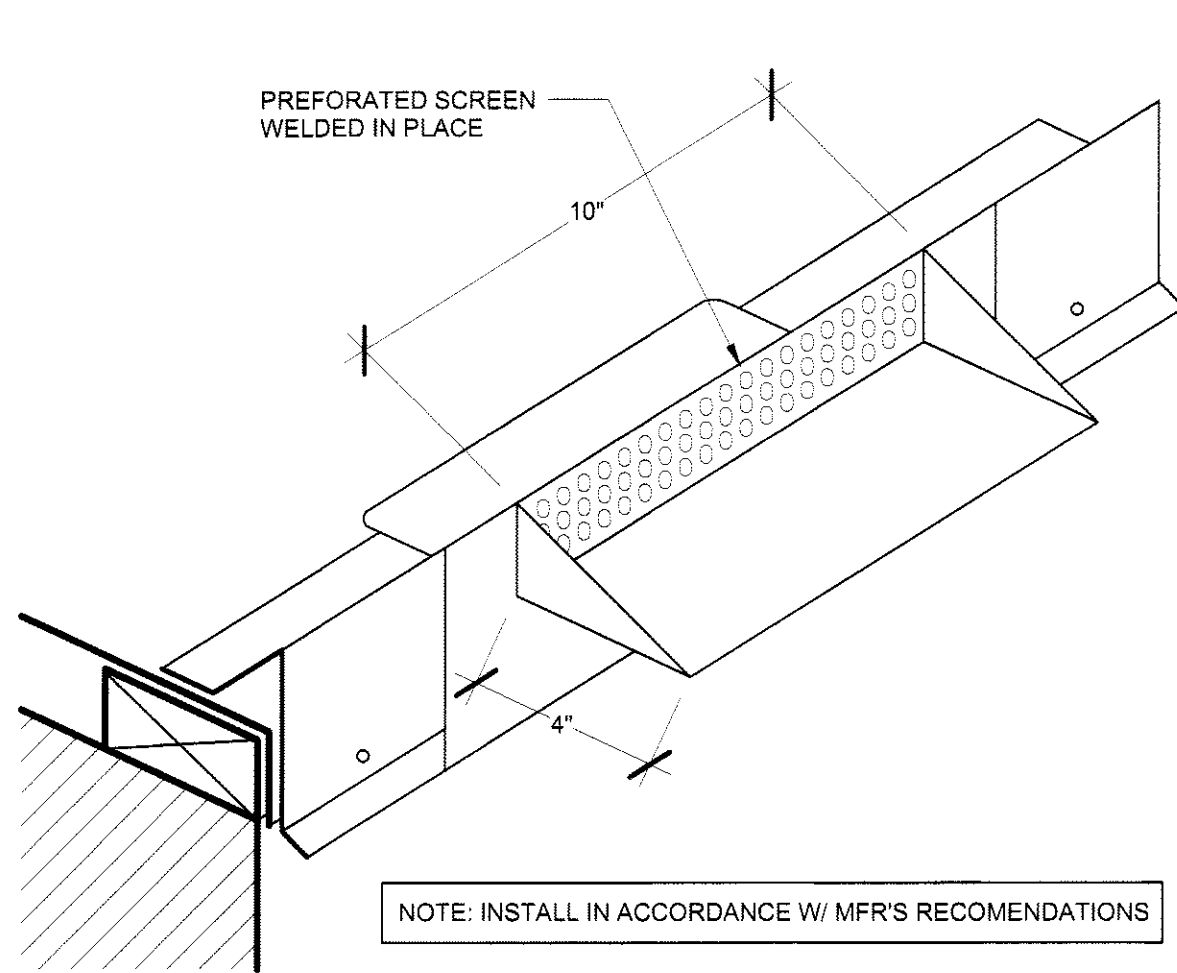
1. PROVIDE PROTECTION PADS FOR WALKWAYS AROUND ALL MECHANICAL EQUIPMENT AND FROM MAJOR ACCES POINTS ON THE ROOF.
2. PLACE EMERGENCY OVERFLOW SCUPPERS EVERY 100' AROUND BUILDING PERIMETER.



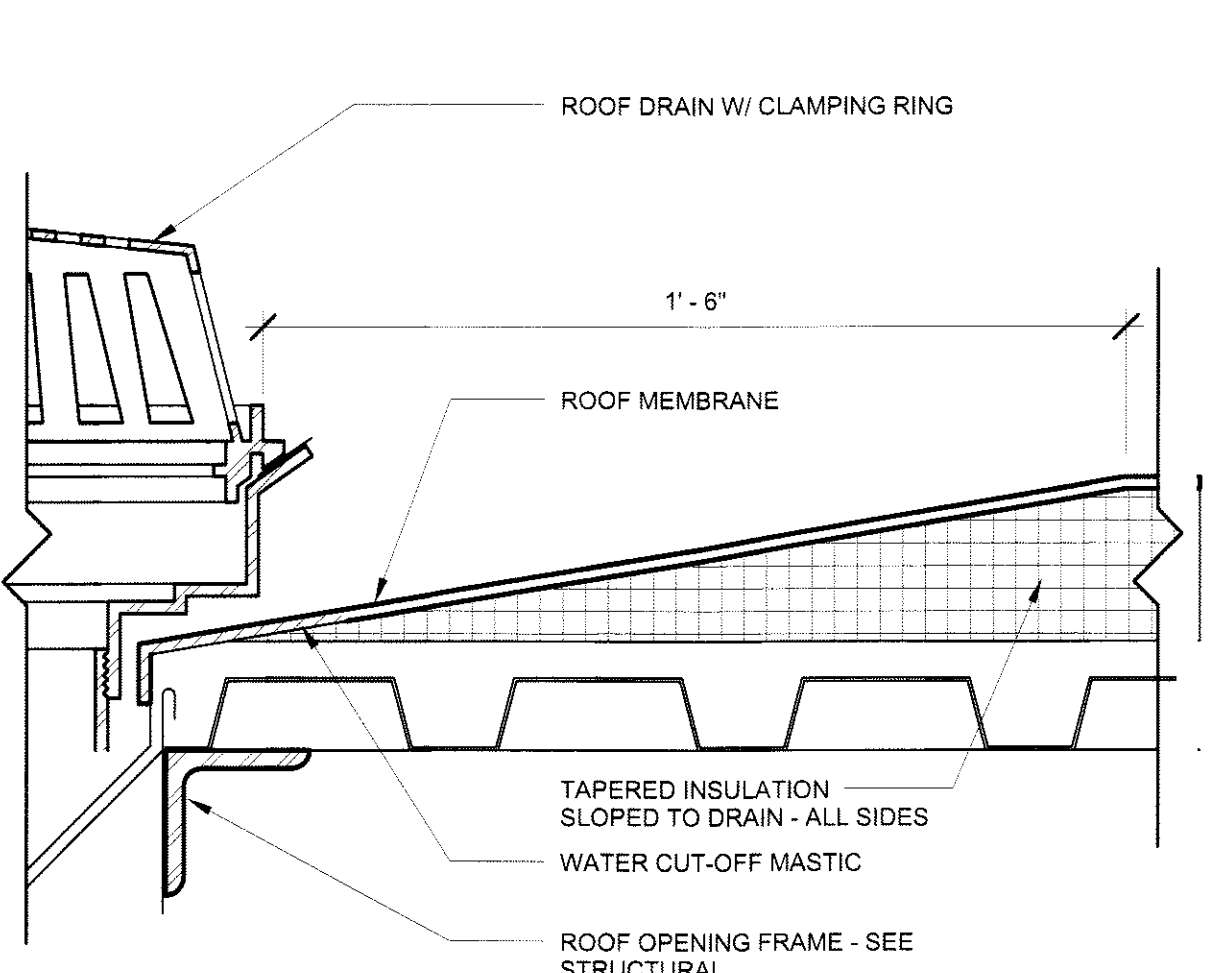
D5 VERTICAL TERMINATION @ PREFORMED CURB/MECH PAD
3" = 1'-0"



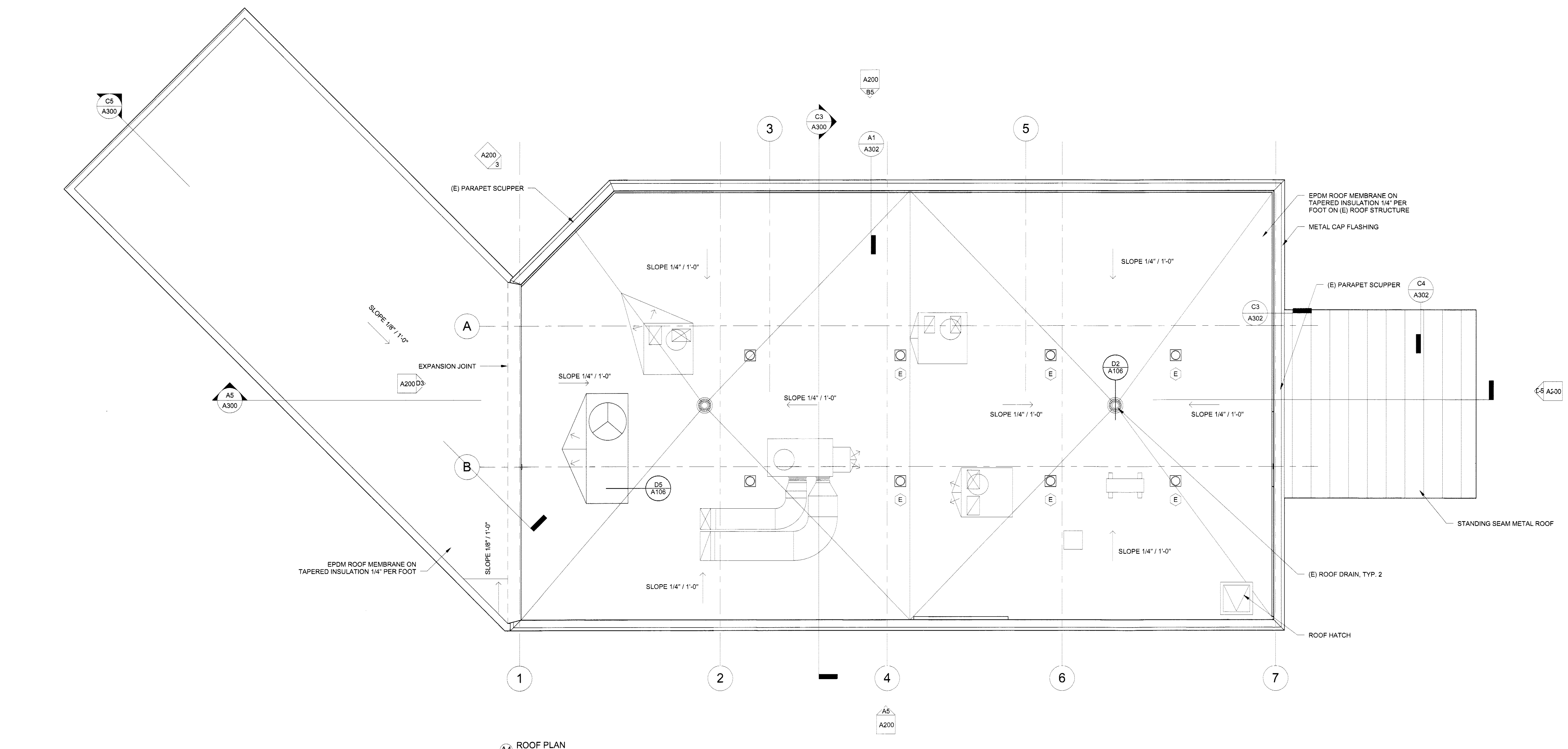
D4 DTL @ VENT / FLAT ROOF
3" = 1'-0"



D3 OVERFLOW SCUPPER DETAIL
3" = 1'-0"



D2 TYP. MEMBRANE @ ROOF DRAIN
3" = 1'-0"



A4 ROOF PLAN
1/4" = 1'-0"

5

4

3

2

1

D

C

B

A

C

B

A