

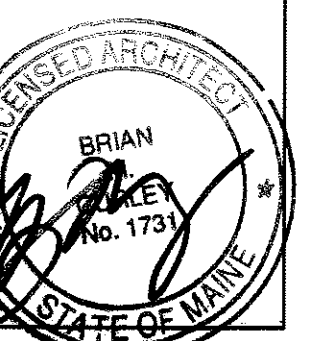


ARCHITECTS

49 DARTMOUTH STREET
PORTLAND, MAINE 04101
207-775-1059
www.pdtarchs.com

COPYRIGHT
PDT Architects
Reuse or reproduction of the
contents of this document is not
permitted without written
permission of PDT Architects.

TruChoice FCU - 272 Park Avenue
272 Park Ave
Portland Maine 04041



JOB NO.
12042

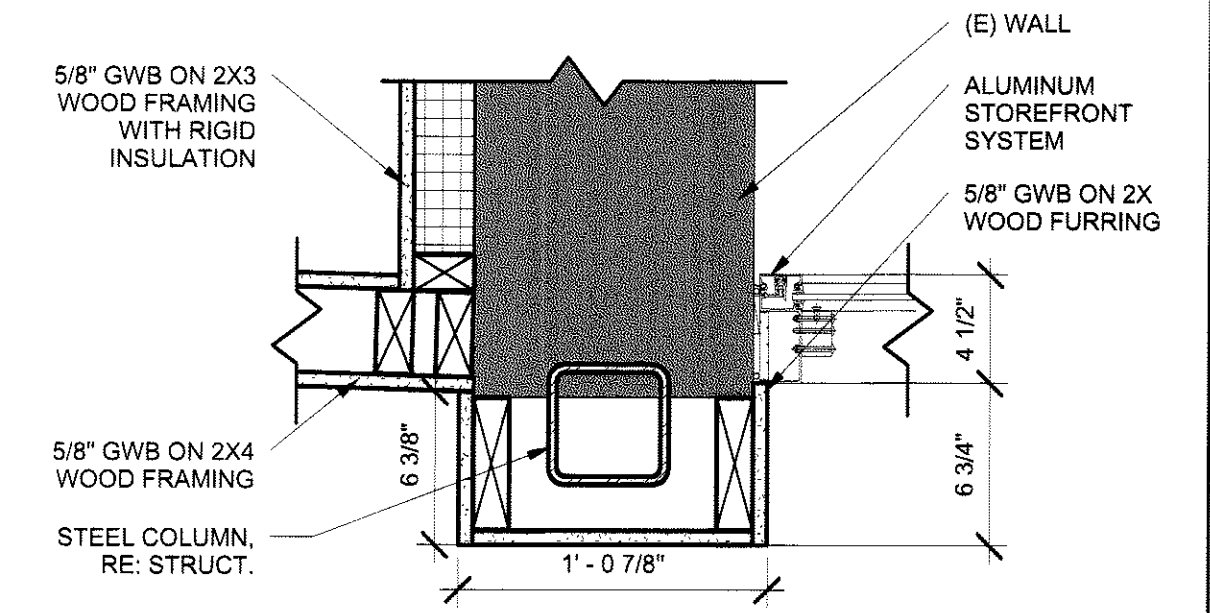
DRWN. Author
CHK. Checker

SCALE:
As indicated

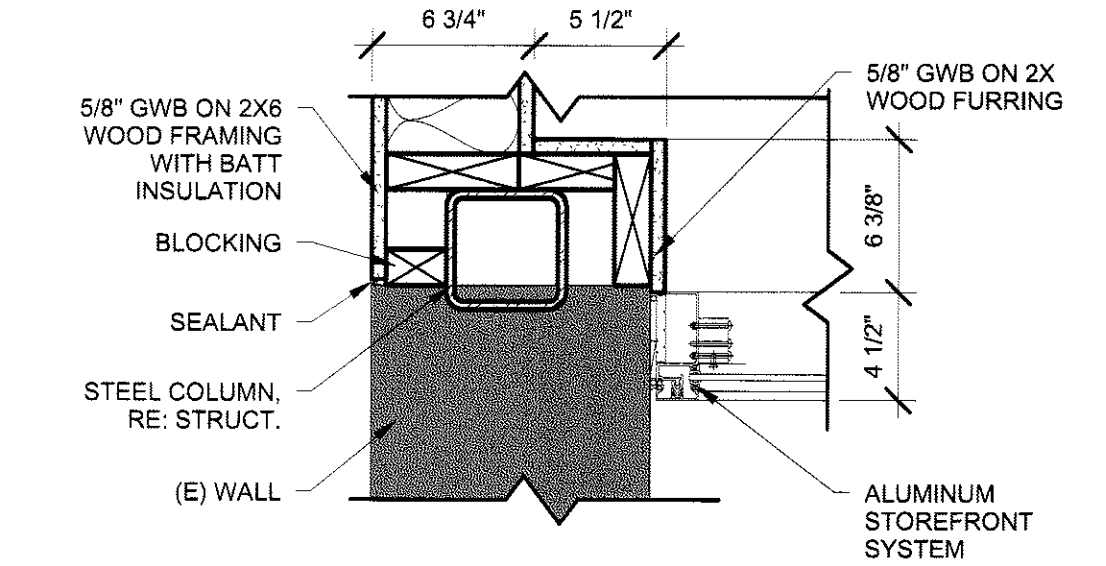
ISSUE
04/26/2013

TITLE
PLAN DETAILS

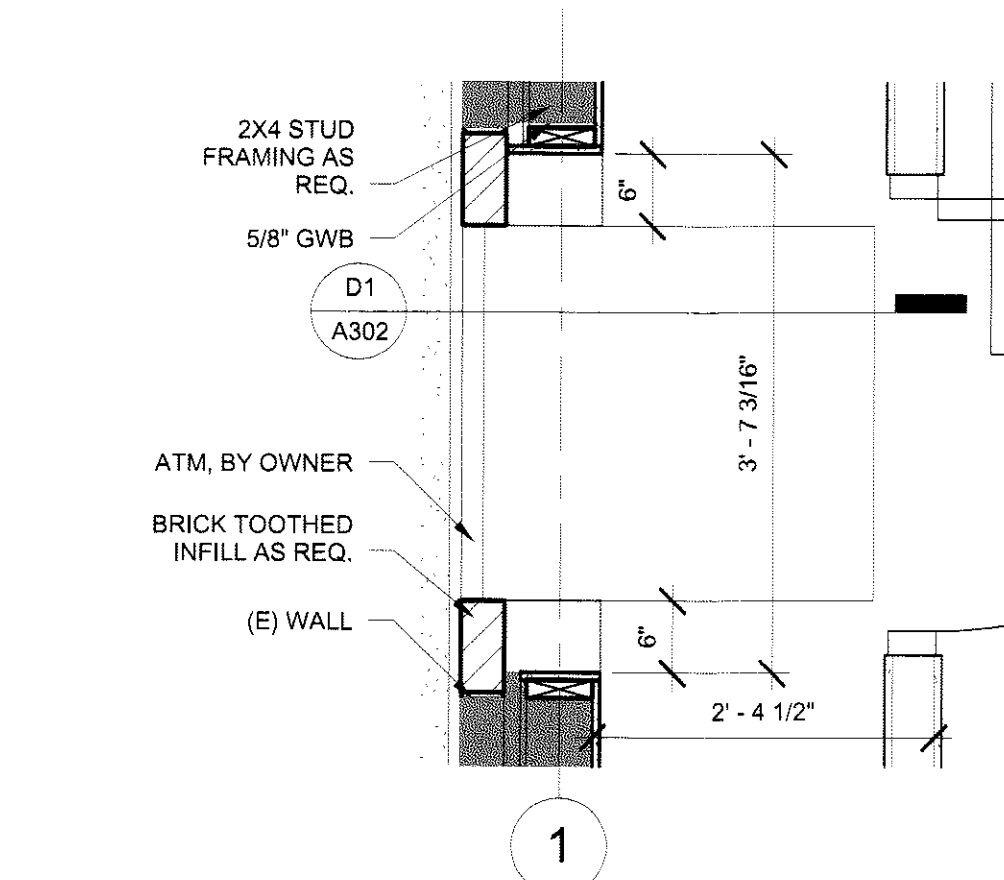
SHEET
A403



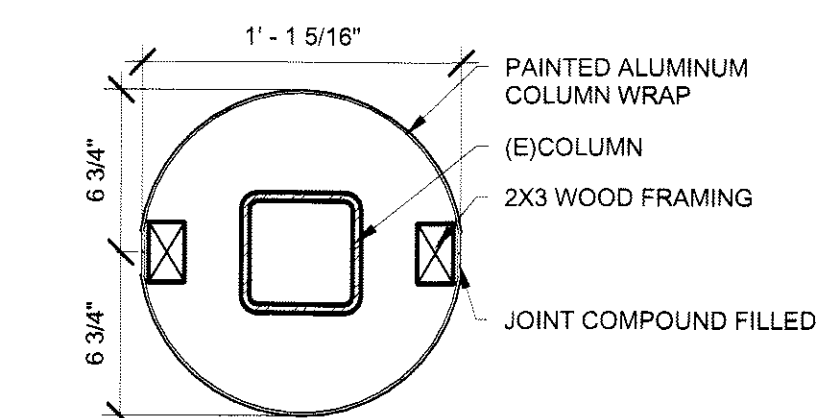
D1 INTERIOR WALL AND ALUMINUM STOREFRONT @ EXISTING WALL
1 1/2" = 1'-0"



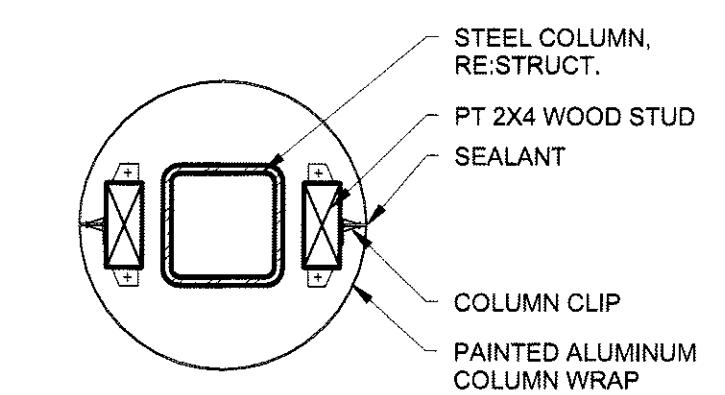
C1 INFILL WALL AND ALUMINUM STOREFRONT @ EXISTING WALL
1 1/2" = 1'-0"



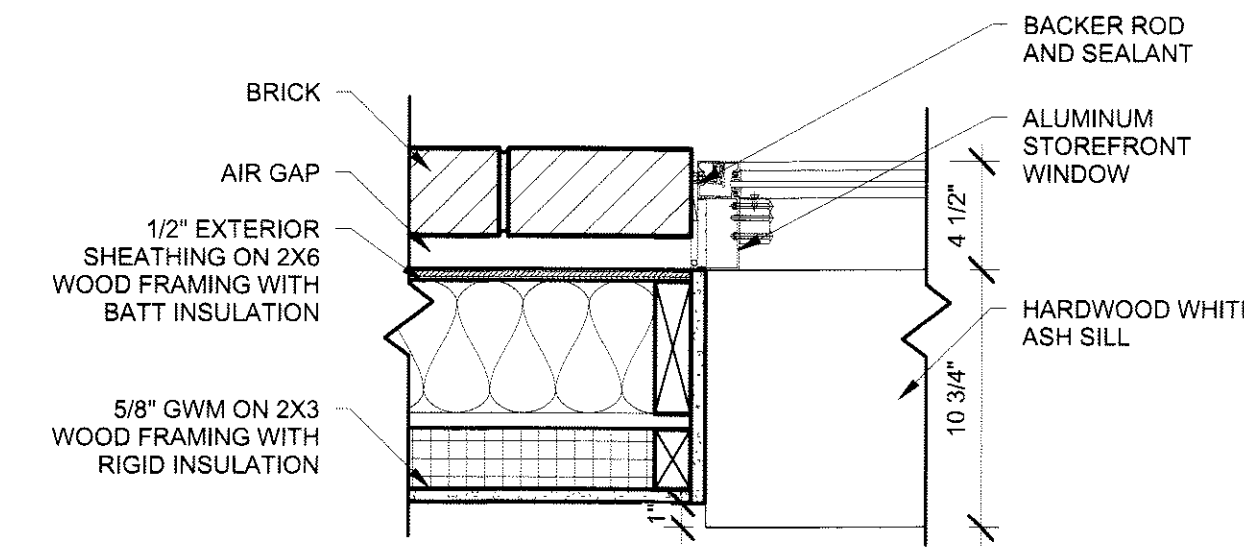
C2 PLAN DETAIL @ DRIVE-THRU ATM
3/4" = 1'-0"



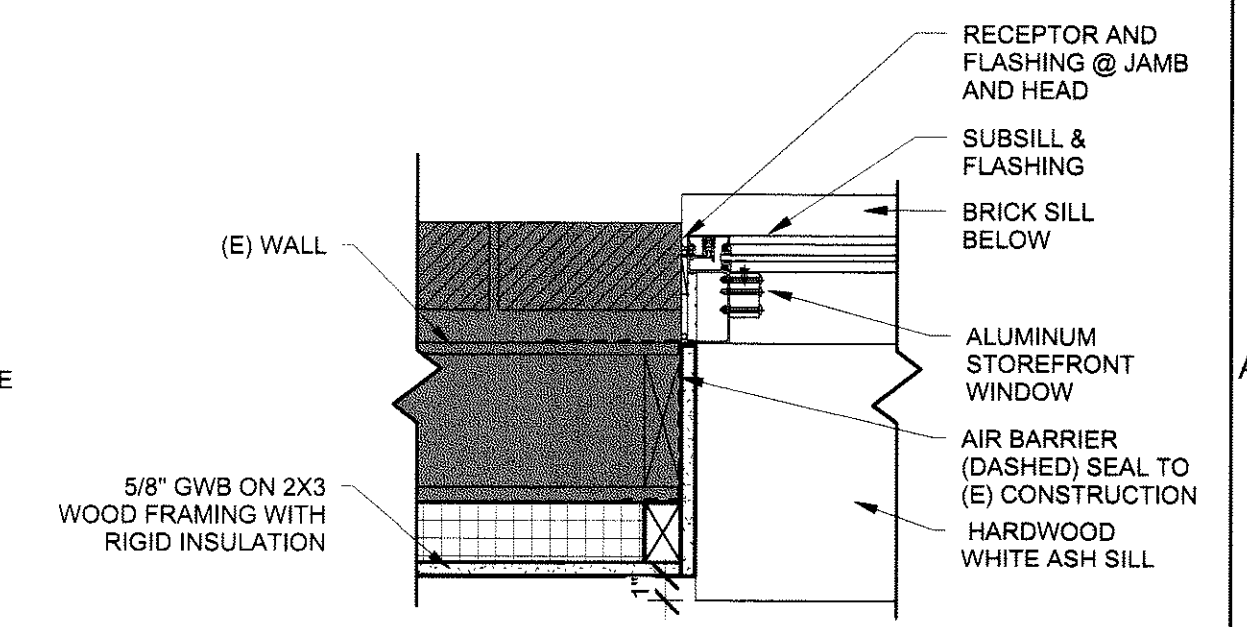
B2 INTERIOR COLUMN WRAP
1 1/2" = 1'-0"



B1 EXTERIOR COLUMN WRAP
1 1/2" = 1'-0"



A2 WINDOW @ INFILL WALL
1 1/2" = 1'-0"



A1 WINDOW @ EXISTING WALL
1 1/2" = 1'-0"