

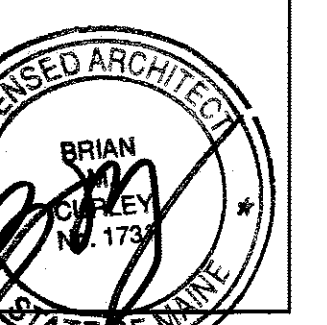


ARCHITECTS

49 DARTMOUTH STREET
PORTLAND, MAINE 04101
207-775-1059
www.pdtarch.com

COPYRIGHT
PDT Architects
Reuse or reproduction of the
contents of this document is not
permitted without written
permission of PDT Architects.

TruChoice FCU - 272 Park Avenue
272 Park Ave
Portland Maine 04041



JOB NO.
12042

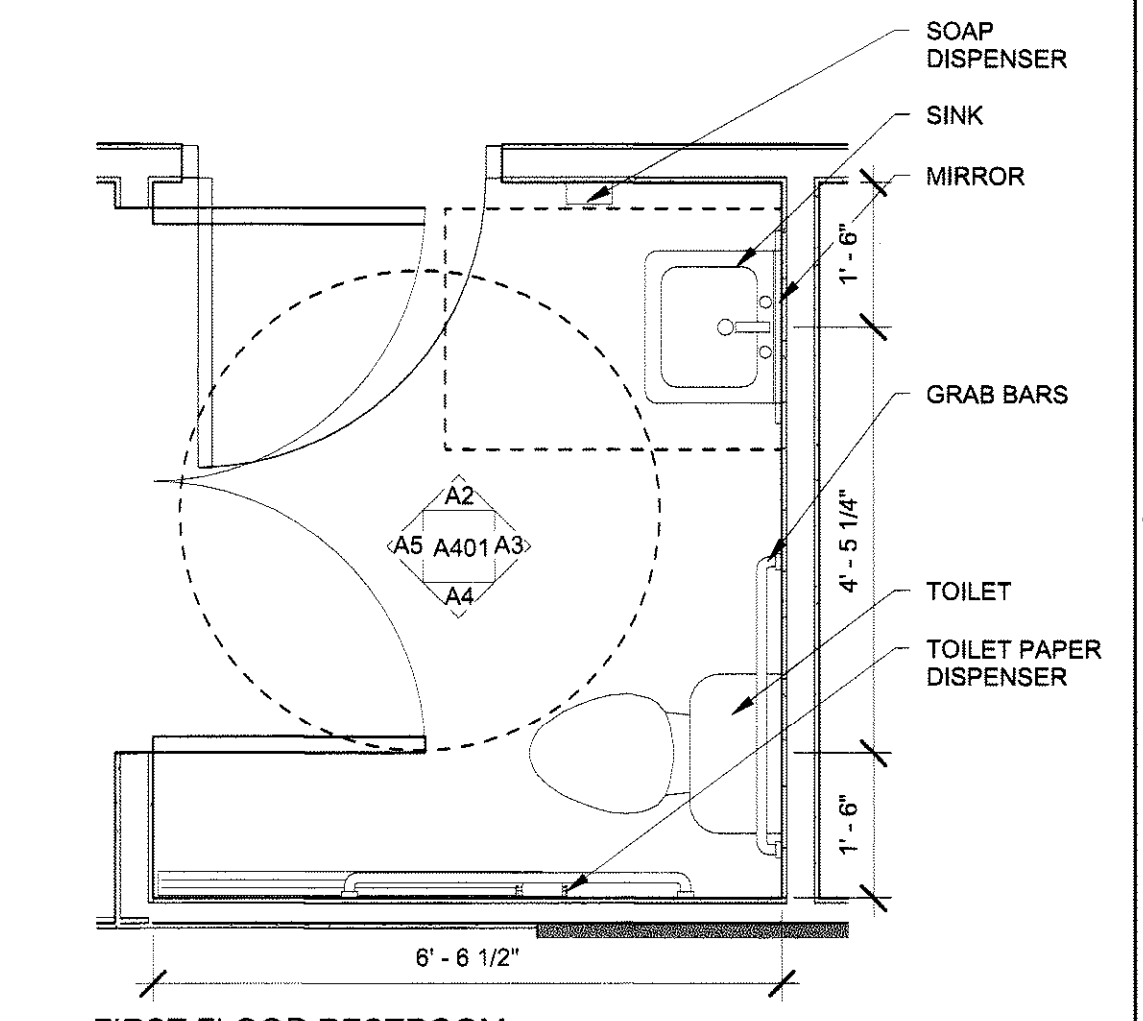
DRWN. Author
CHK. Checker

SCALE:
As indicated

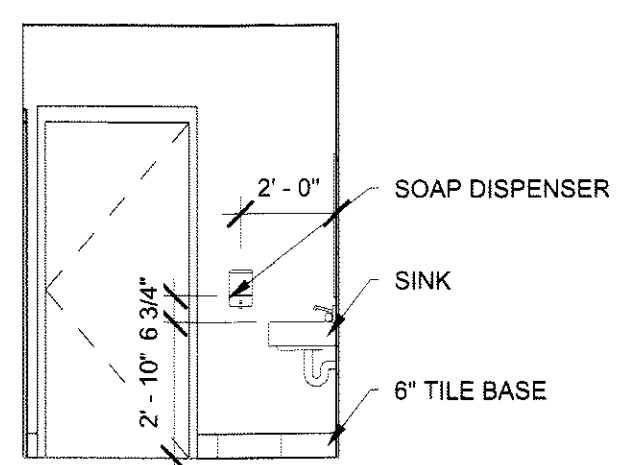
ISSUE
04/26/2013

TITLE
RESTROOM
PLANS AND
ELEVATIONS

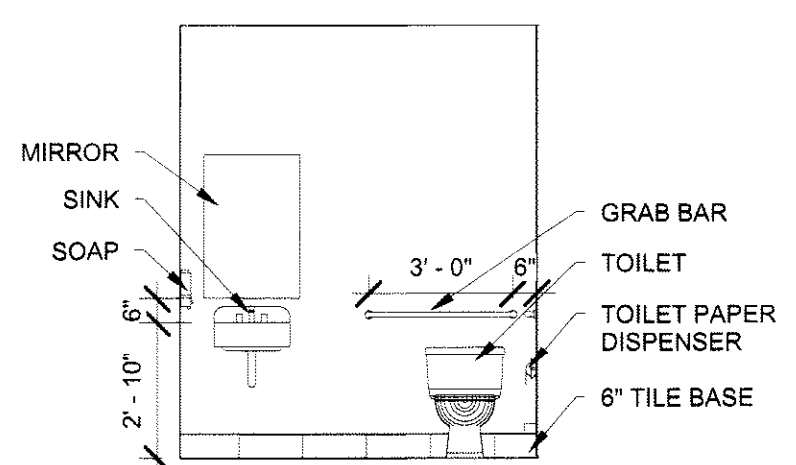
SHEET
A401



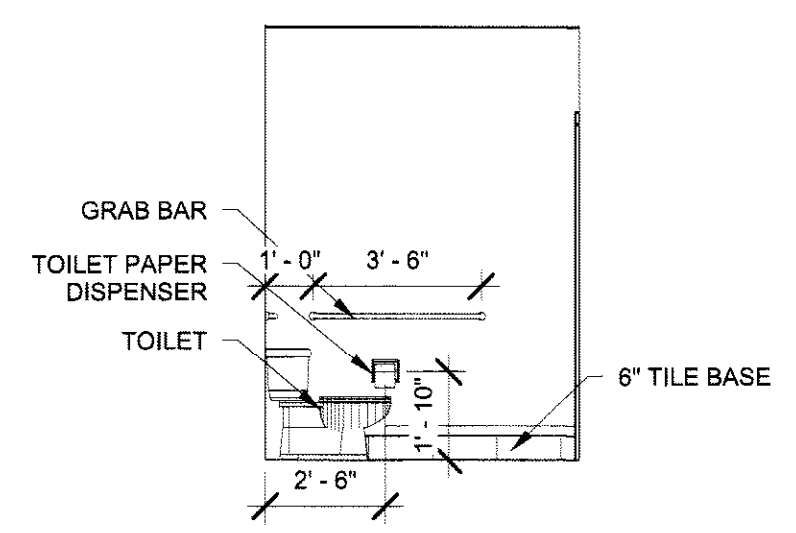
A1 FIRST FLOOR RESTROOM
1/2" = 1'-0"



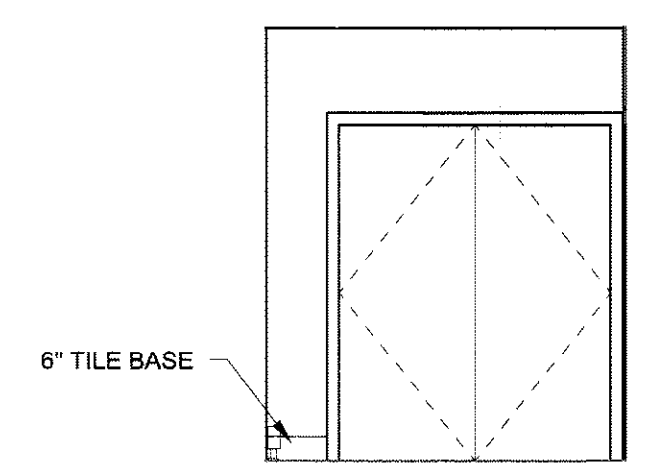
A2 RESTROOM WEST
1/4" = 1'-0"



A3 RESTROOM NORTH
1/4" = 1'-0"



A4 RESTROOM EAST
1/4" = 1'-0"



A5 RESTROOM SOUTH
1/4" = 1'-0"

D

C

B

A

5

4

3

2

1