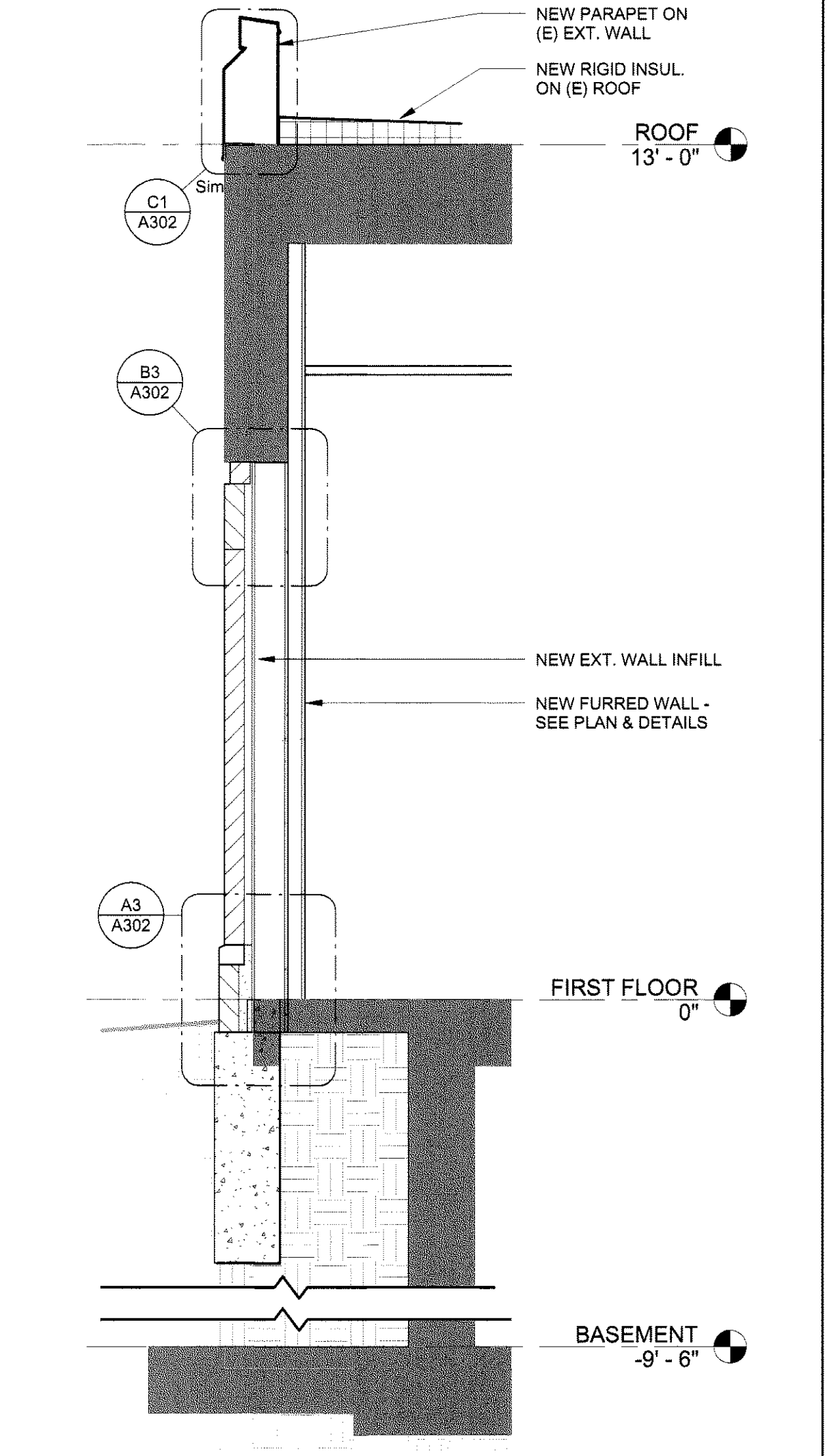
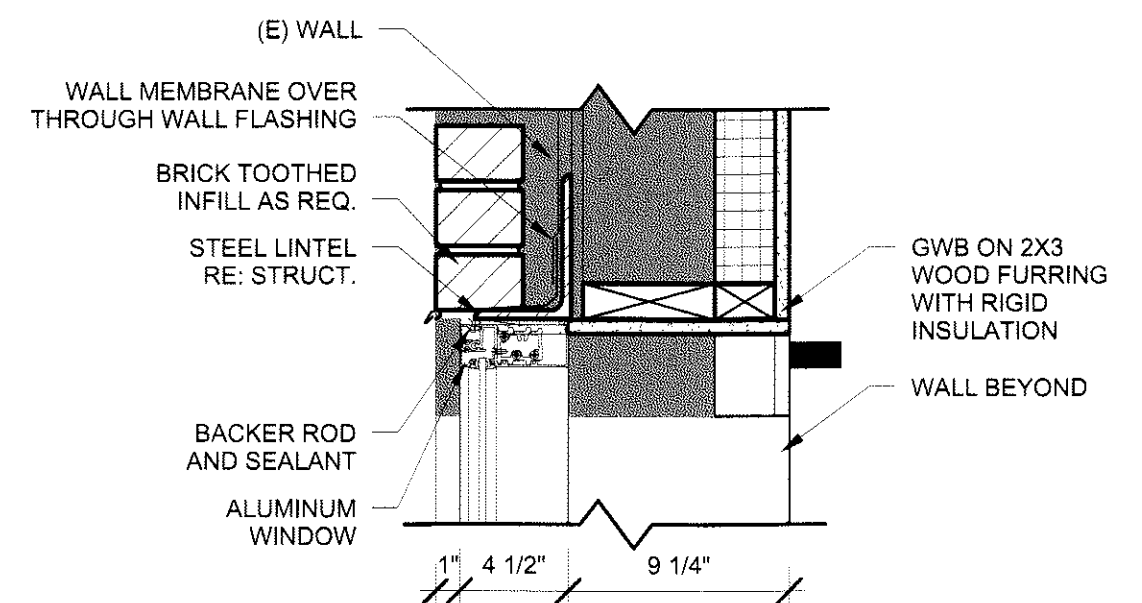


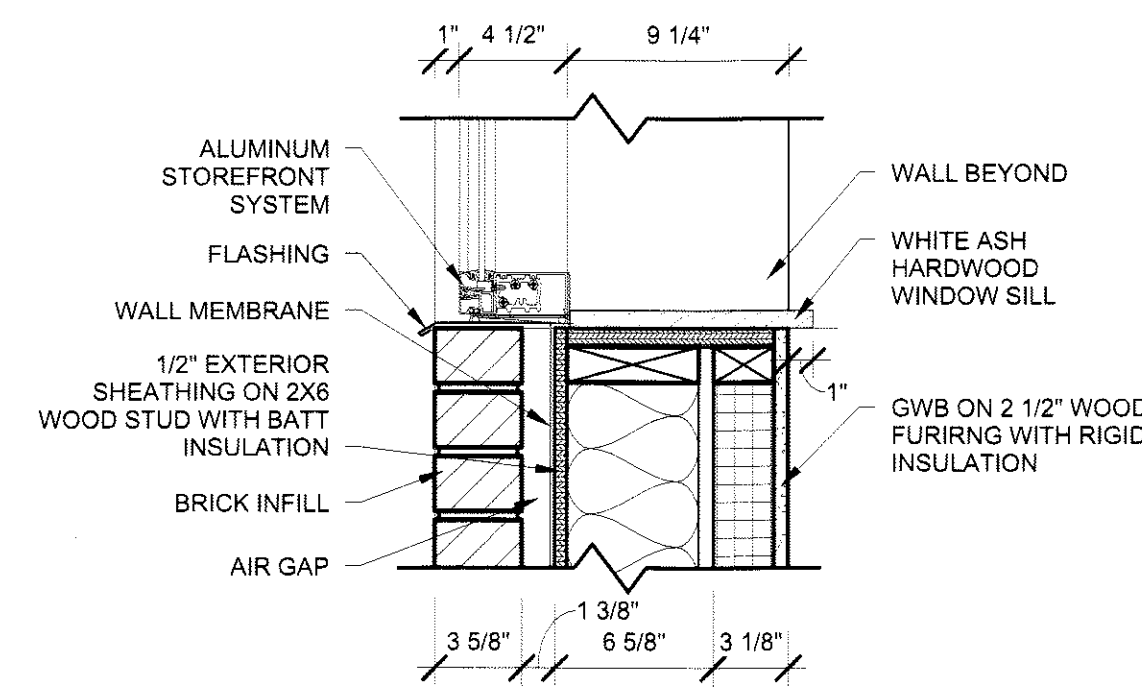
**C1** ROOF PARAPET DETAIL  
1 1/2" = 1'-0"



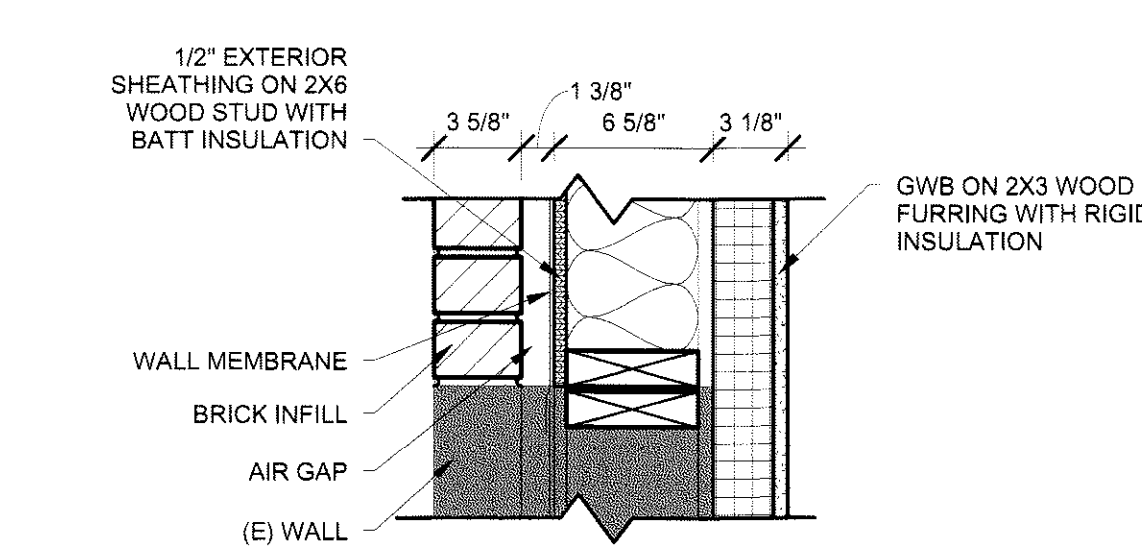
**A1** INFILL EXTERIOR WALL  
1/2" = 1'-0"



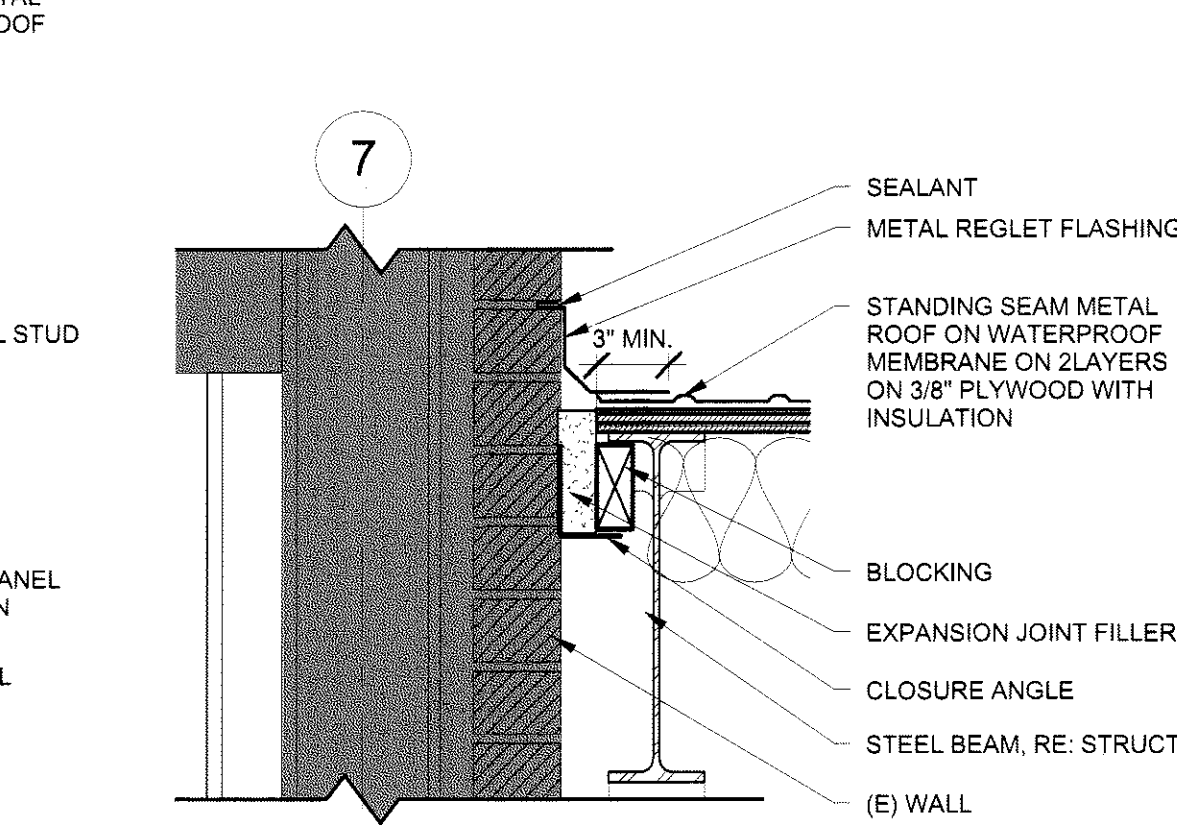
**C2** ALUMINUM WINDOW HEAD DETAIL @ BRICK INFILL  
1 1/2" = 1'-0"



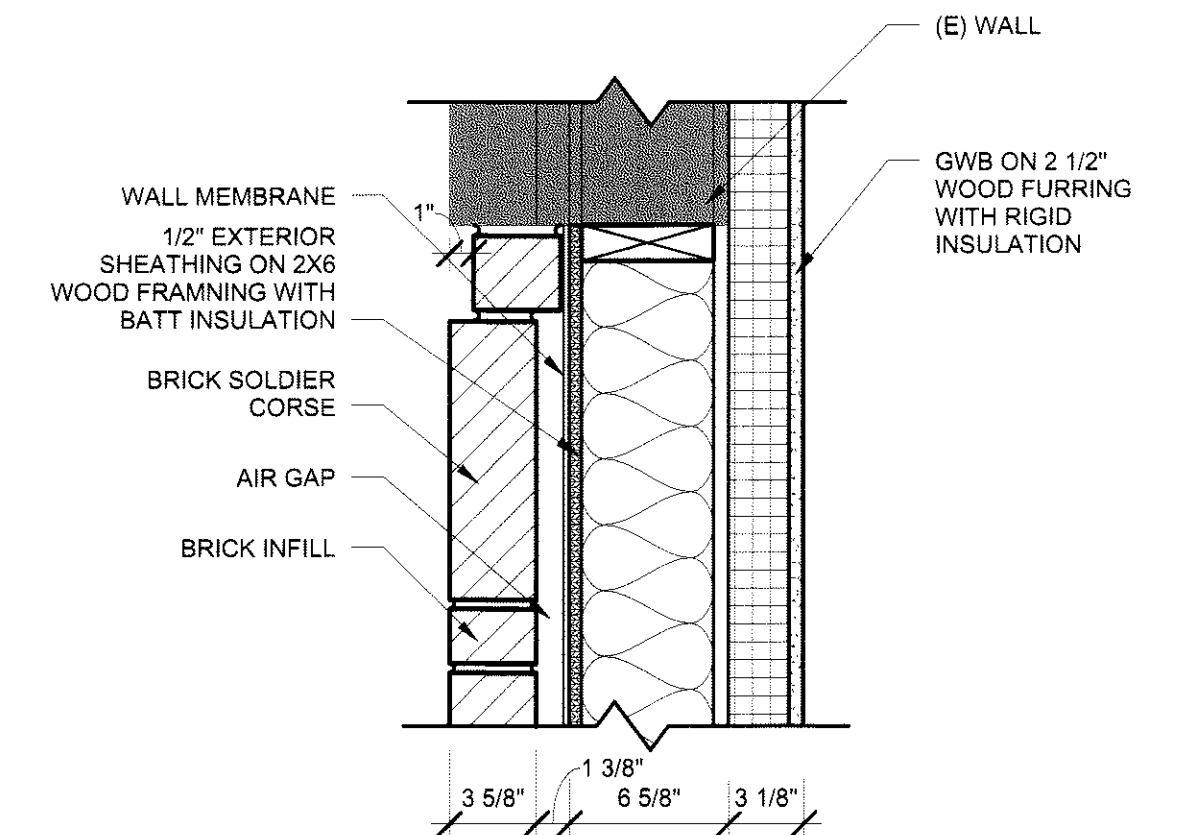
**B2** ALUMINUM WINDOW SILL DETAIL @ BRICK INFILL  
1 1/2" = 1'-0"



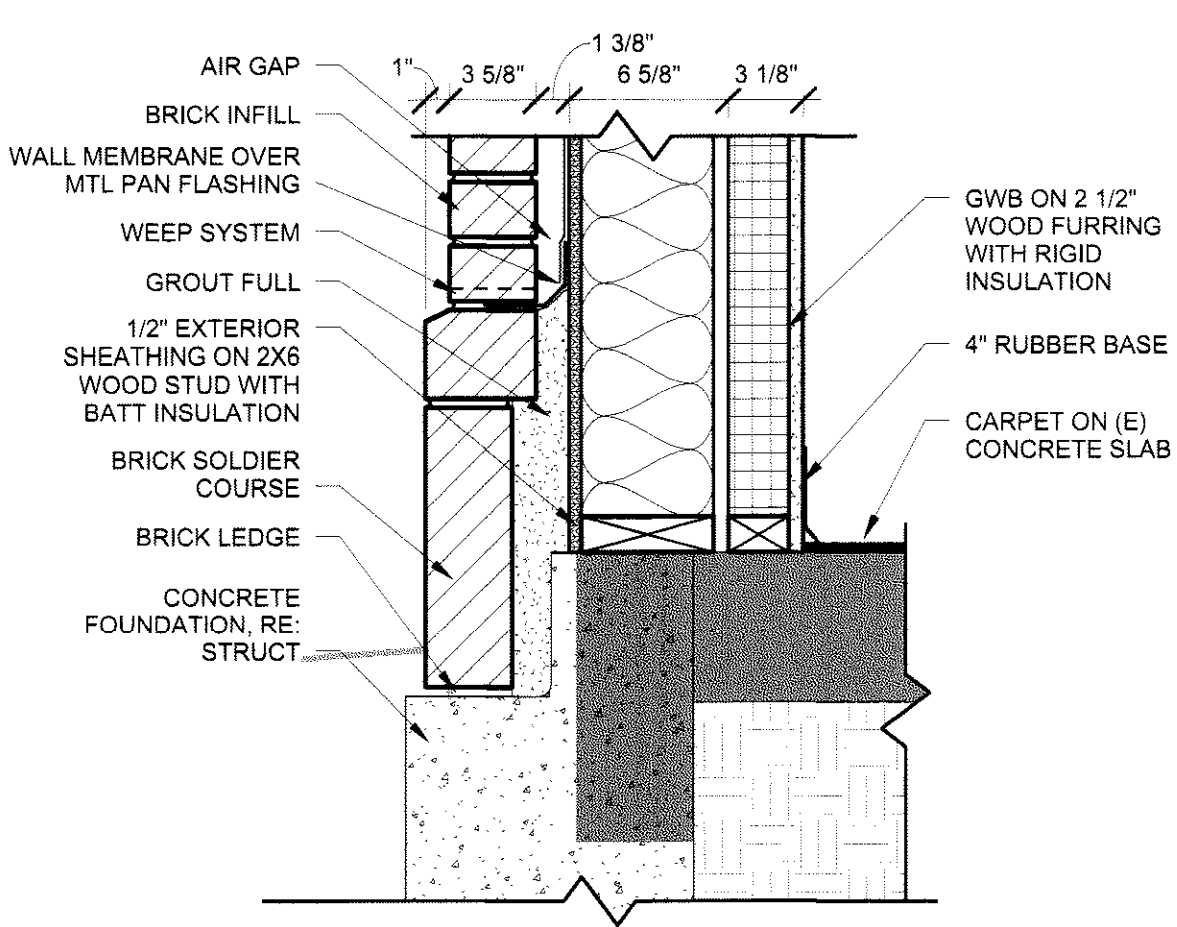
**A2** BRICK INFILL @ SILL  
1 1/2" = 1'-0"



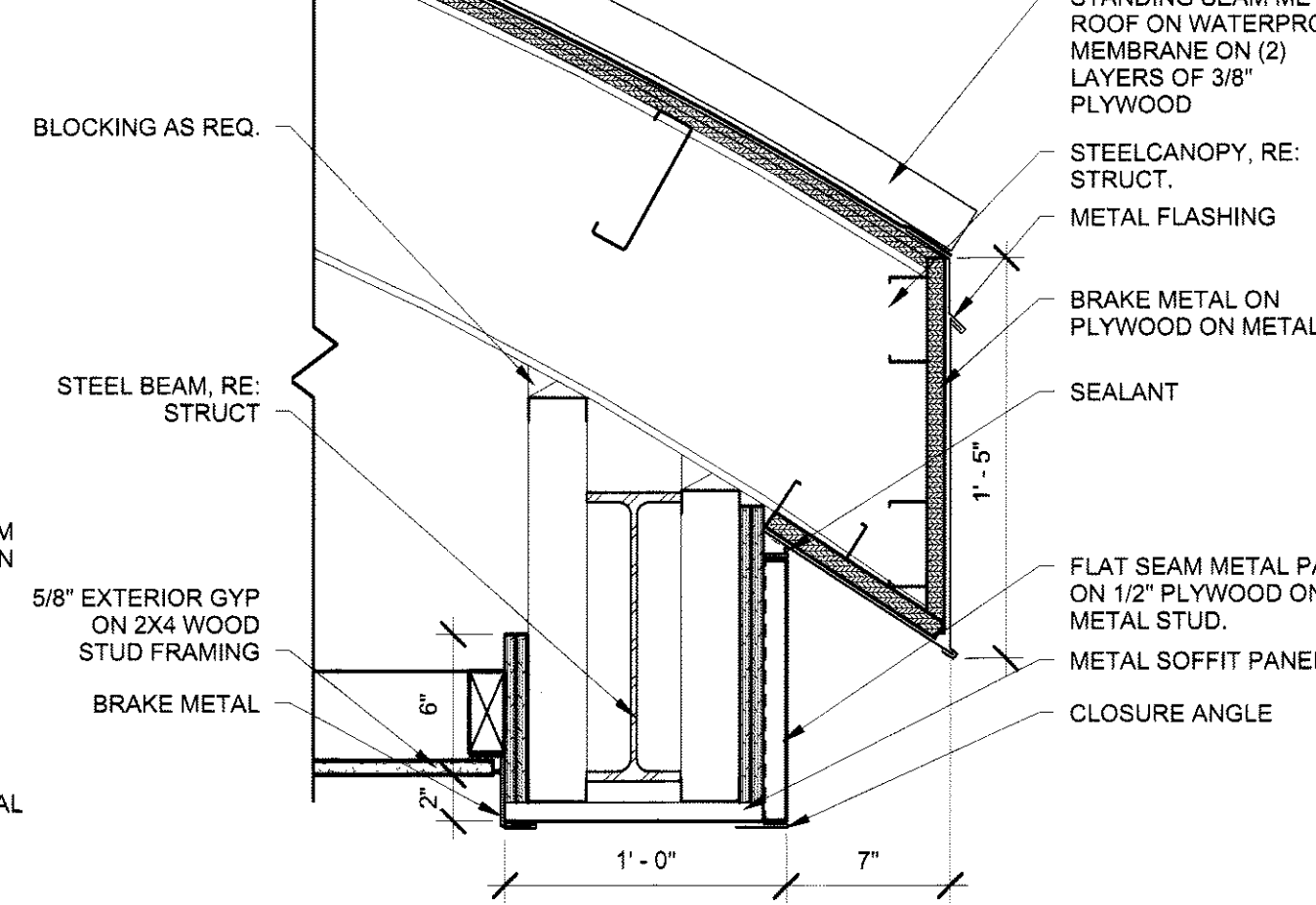
**C3** ENTRY CANOPY @ MASONRY WALL  
1 1/2" = 1'-0"



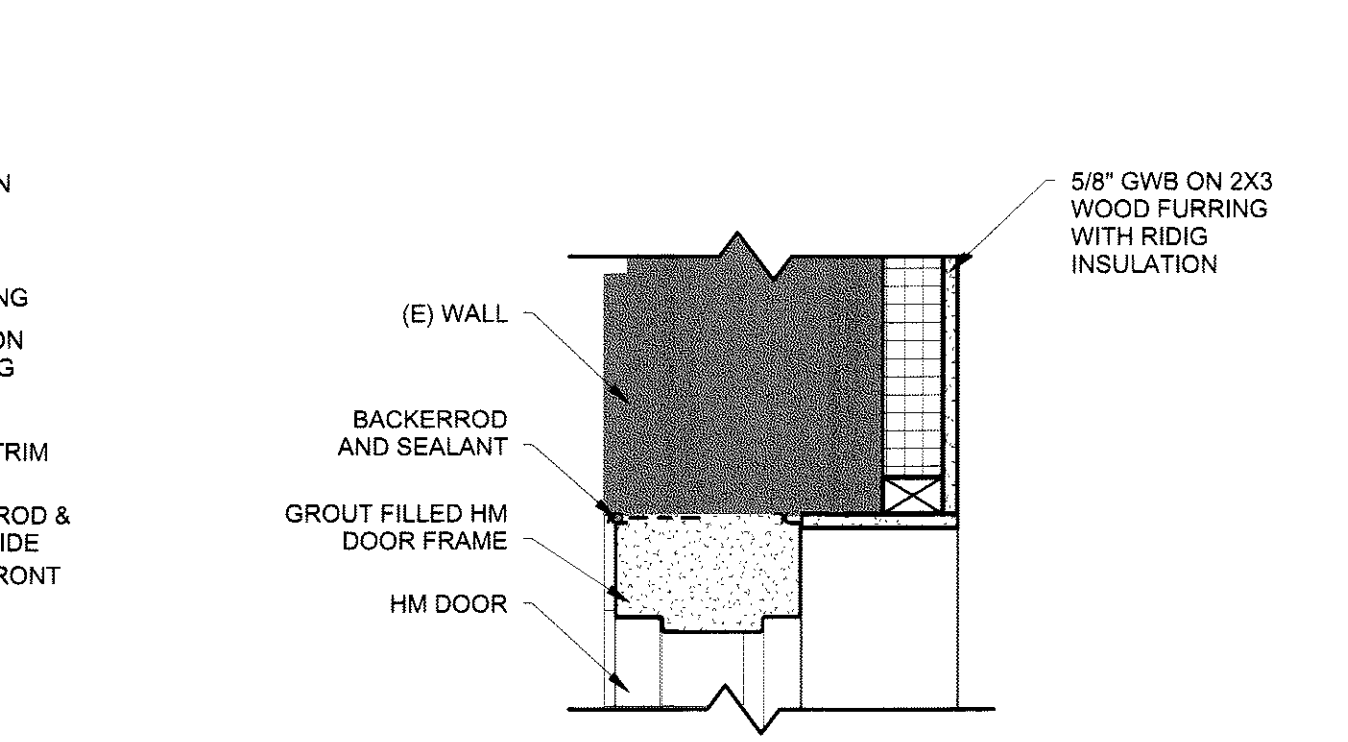
**B3** HEAD DETAIL @ BRICK INFILL WALL  
1 1/2" = 1'-0"



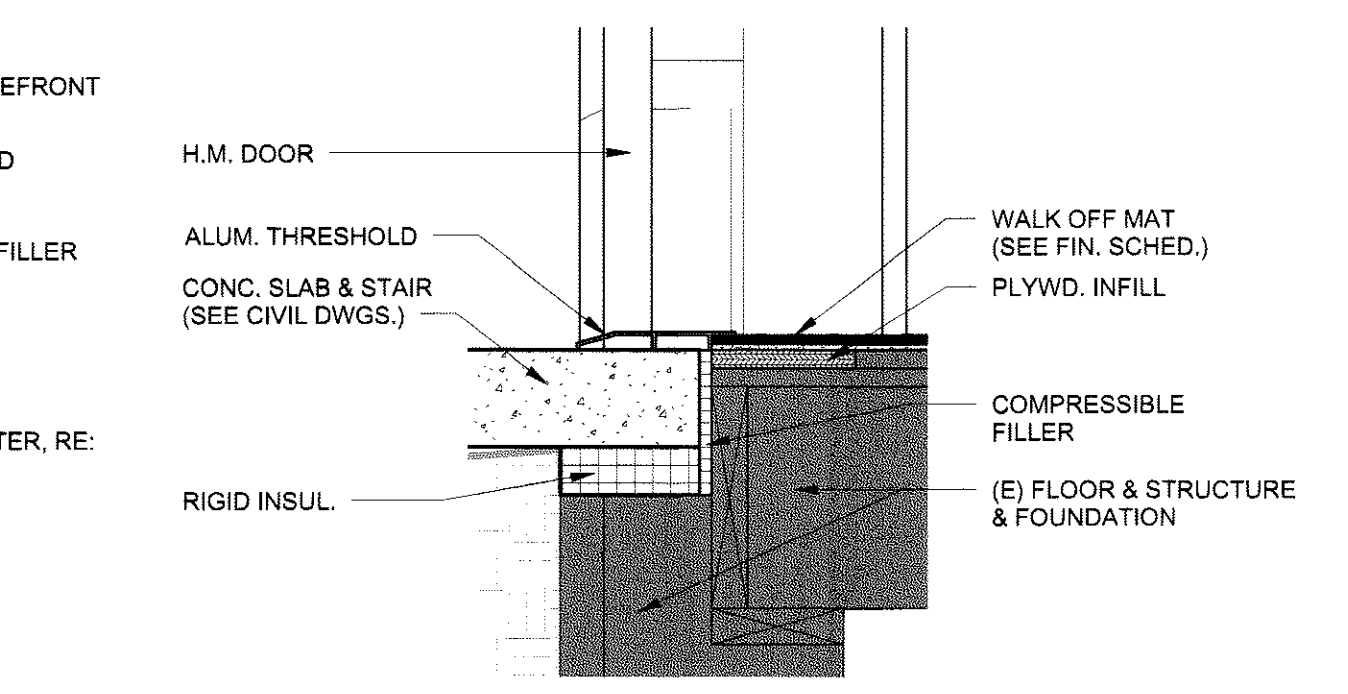
**A3** BASE DETAIL @ BRICK INFILL WALL  
1 1/2" = 1'-0"



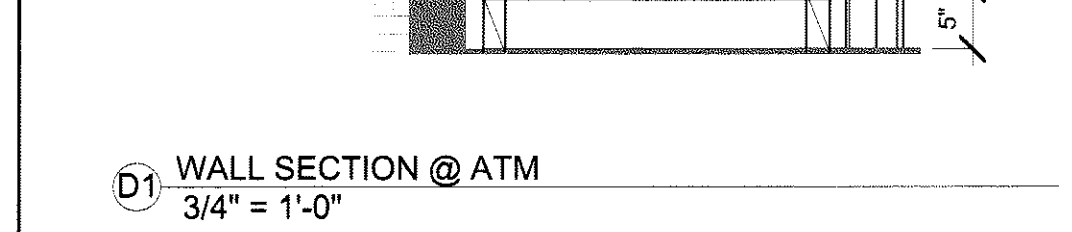
**C4** SOFFIT DETAIL @ ENTRY CANOPY  
1 1/2" = 1'-0"



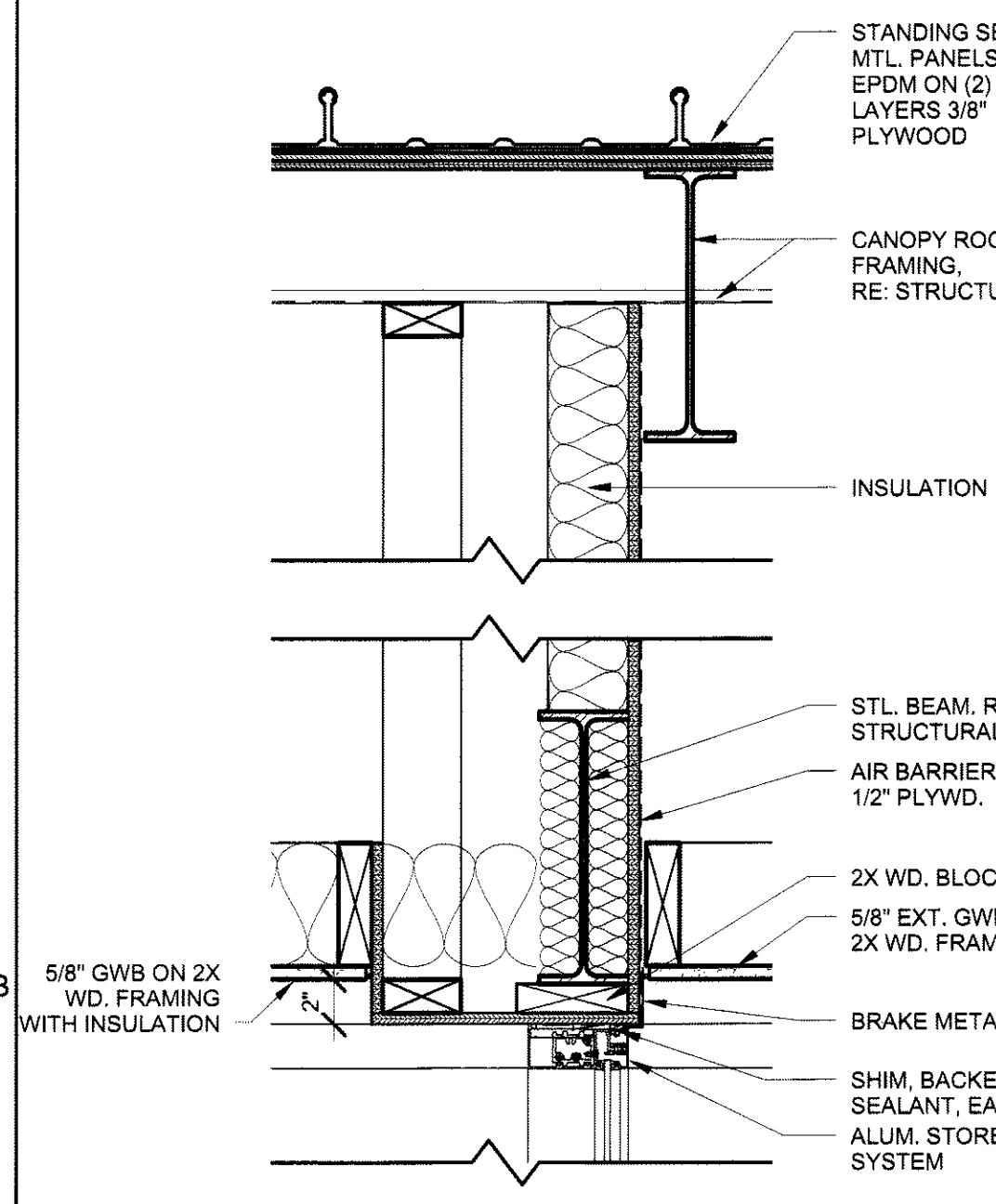
**B4** DETAIL - HOLLOW METAL DOOR FRAME HEAD  
1 1/2" = 1'-0"



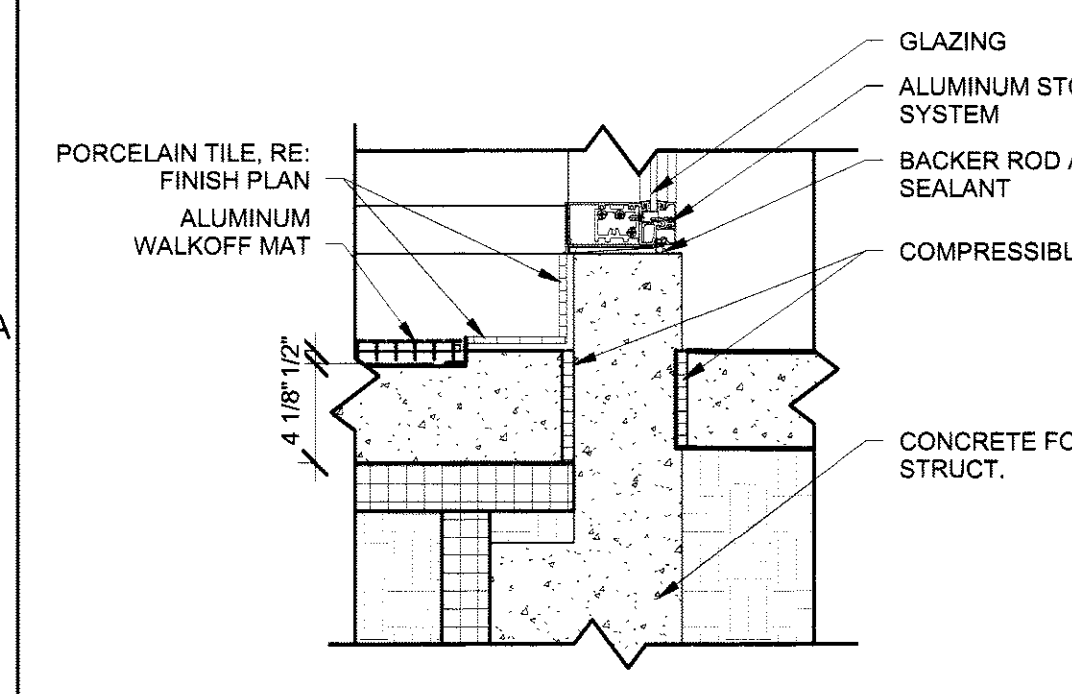
**A4** DETAIL - EXTERIOR DOOR THRESHOLD  
1 1/2" = 1'-0"



**D1** WALL SECTION @ ATM  
3/4" = 1'-0"



**B5** HEAD DETAIL @ VESTIBULE STOREFRONT  
1 1/2" = 1'-0"



**A5** ALUMINUM STOREFRONT SILL @ ENTRY CANOPY  
1 1/2" = 1'-0"