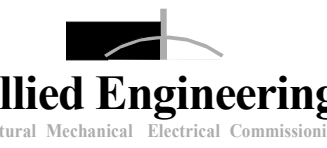




PDT ARCHITECTS
 49 DARTMOUTH STREET
 PORTLAND, MAINE 04101
 207-775-1059
 www.pdtarch.com

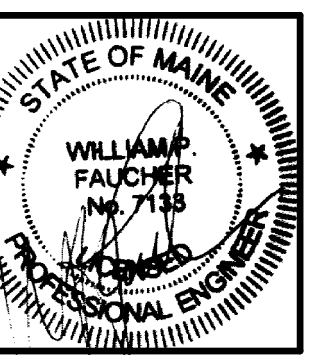


Allied Engineering
 Structural Mechanical Electrical Commissioning
 160 Veranda Street
 Portland, Maine 04103
 E: 207.221.2260
 F: 207.221.2260
 Web: www.allied-eng.com

ALLIED PROJECT No.:
 13008
 CAD FILE:
 13008.rvt

COPYRIGHT
 PDT Architects
 Reuse or reproduction of the
 contents of this document is not
 permitted without written
 permission of PDT Architects.

TruChoice FCU - 272 Park Avenue
 PORTLAND, MAINE



PDT JOB NO.
 12084

DRWN. CHK
 Author Checker

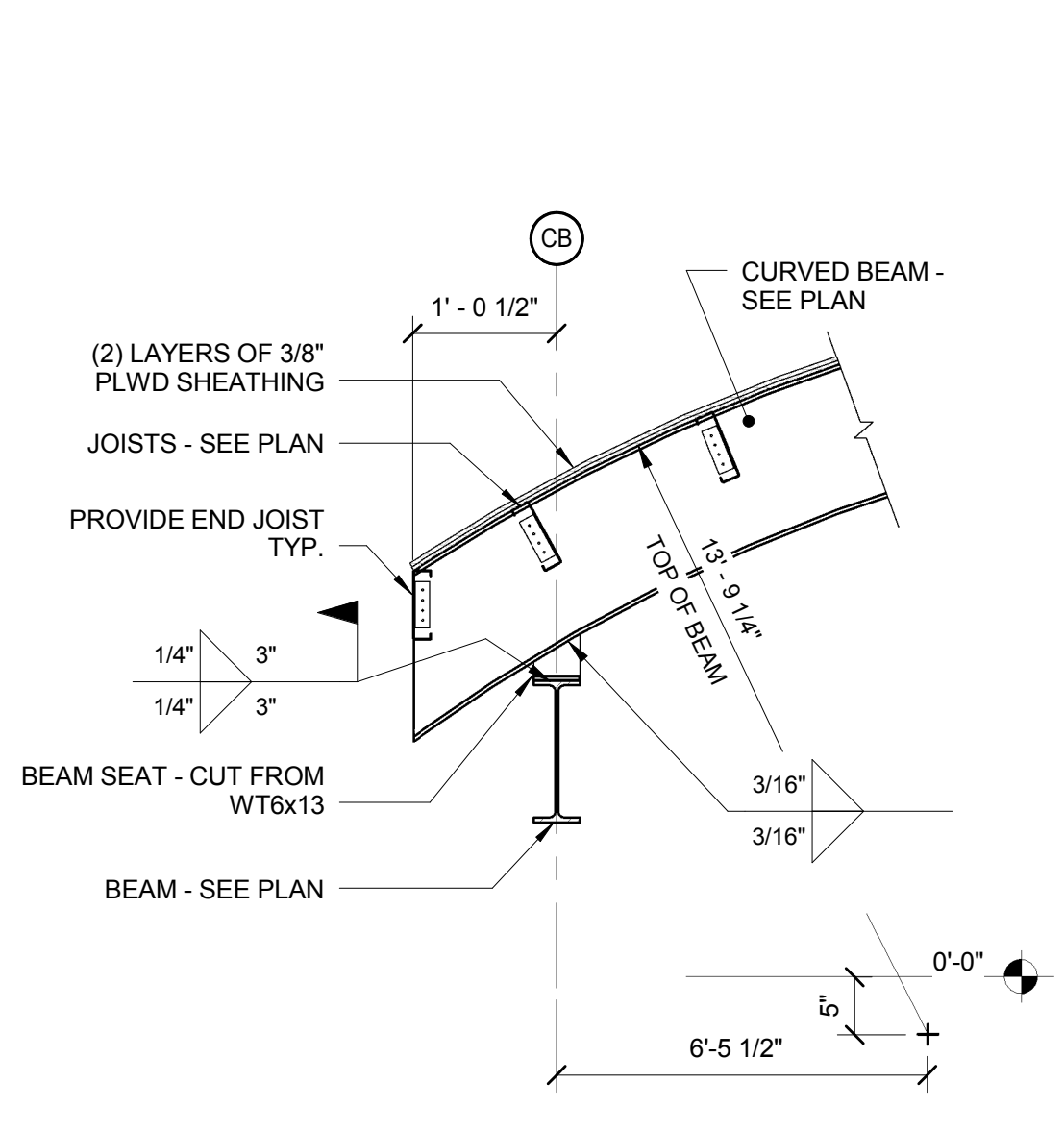
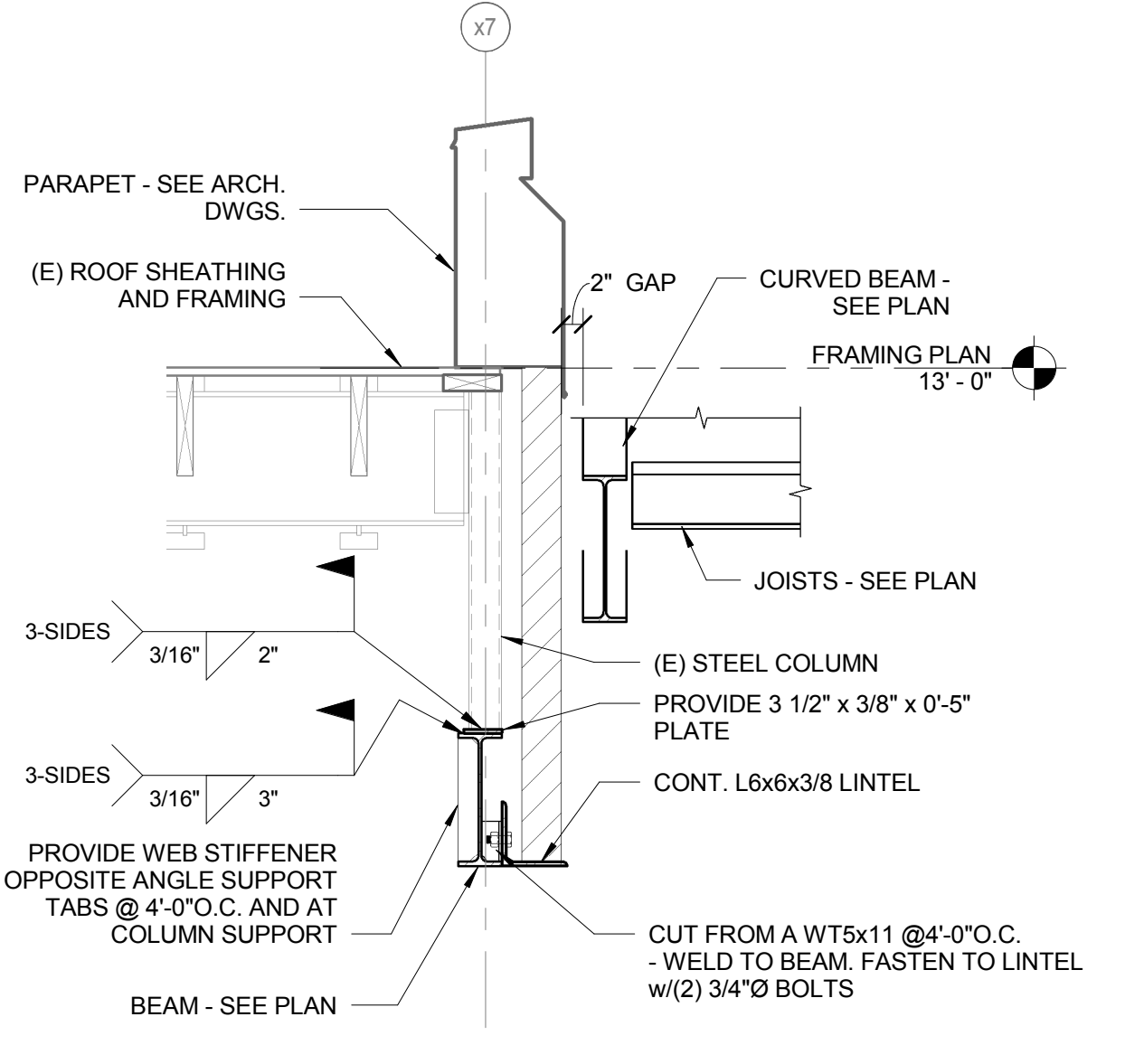
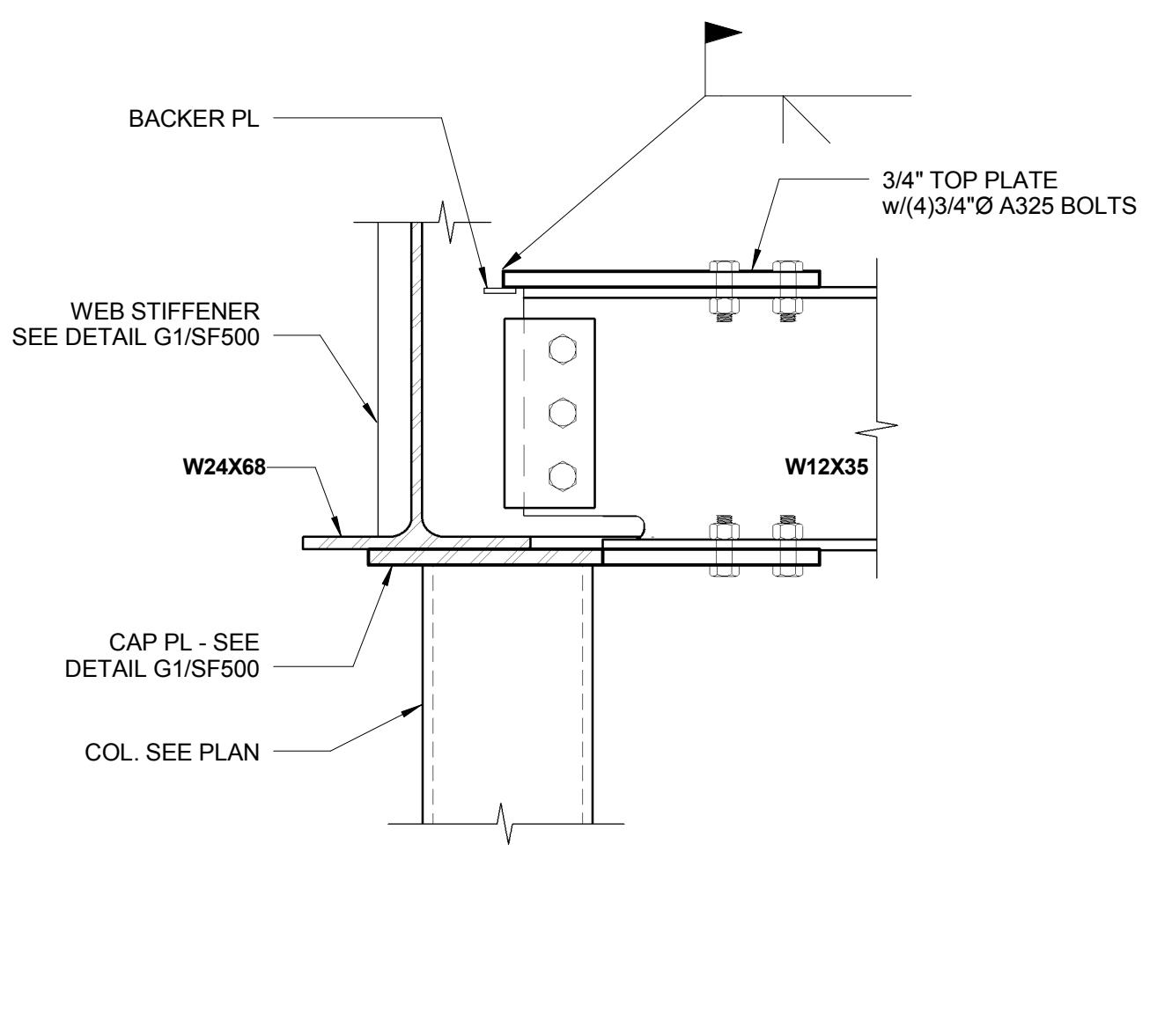
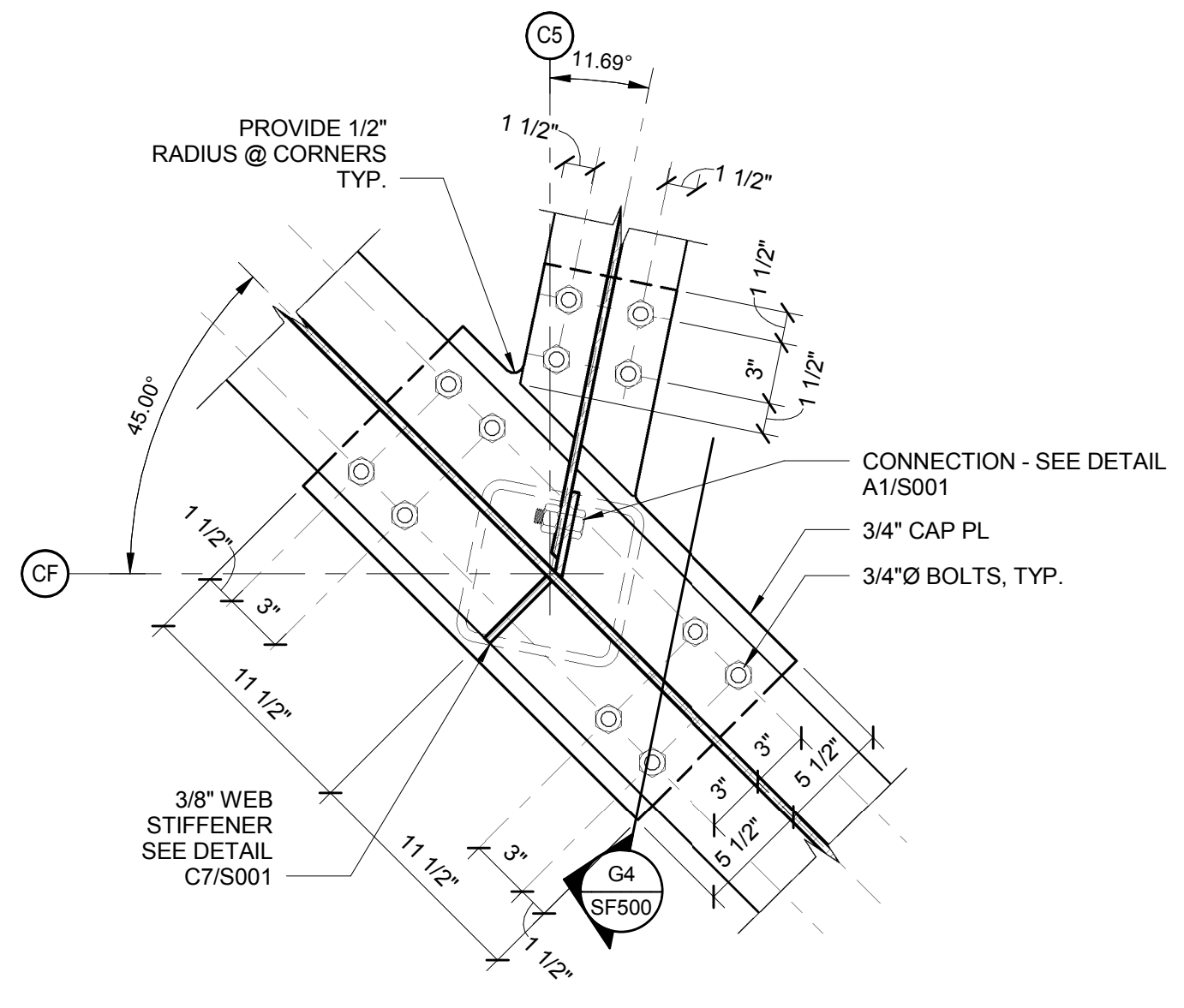
SCALE:
 As indicated

ISSUE:
 4/26/2013
 CONSTRUCTION
 DOCUMENTS

TITLE
 STRUCTURAL -
 DETAILS

SHEET

SF500

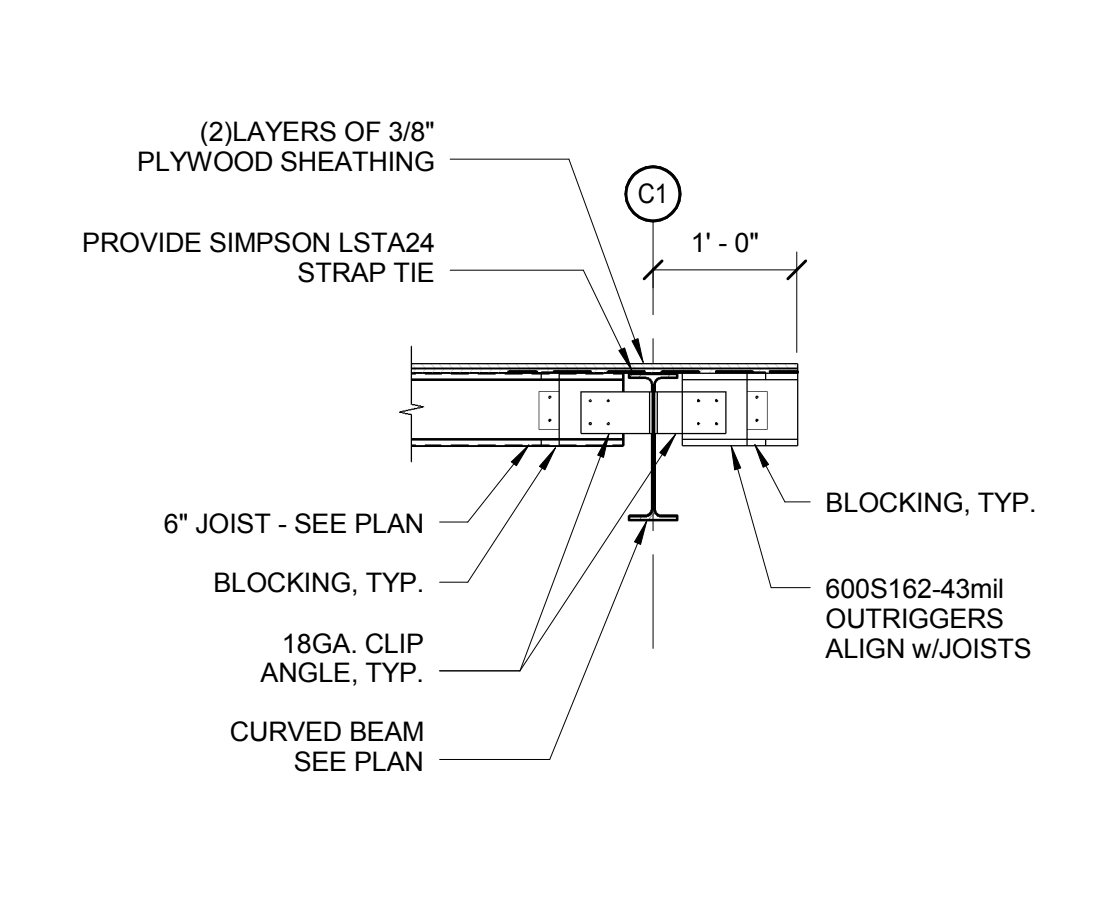
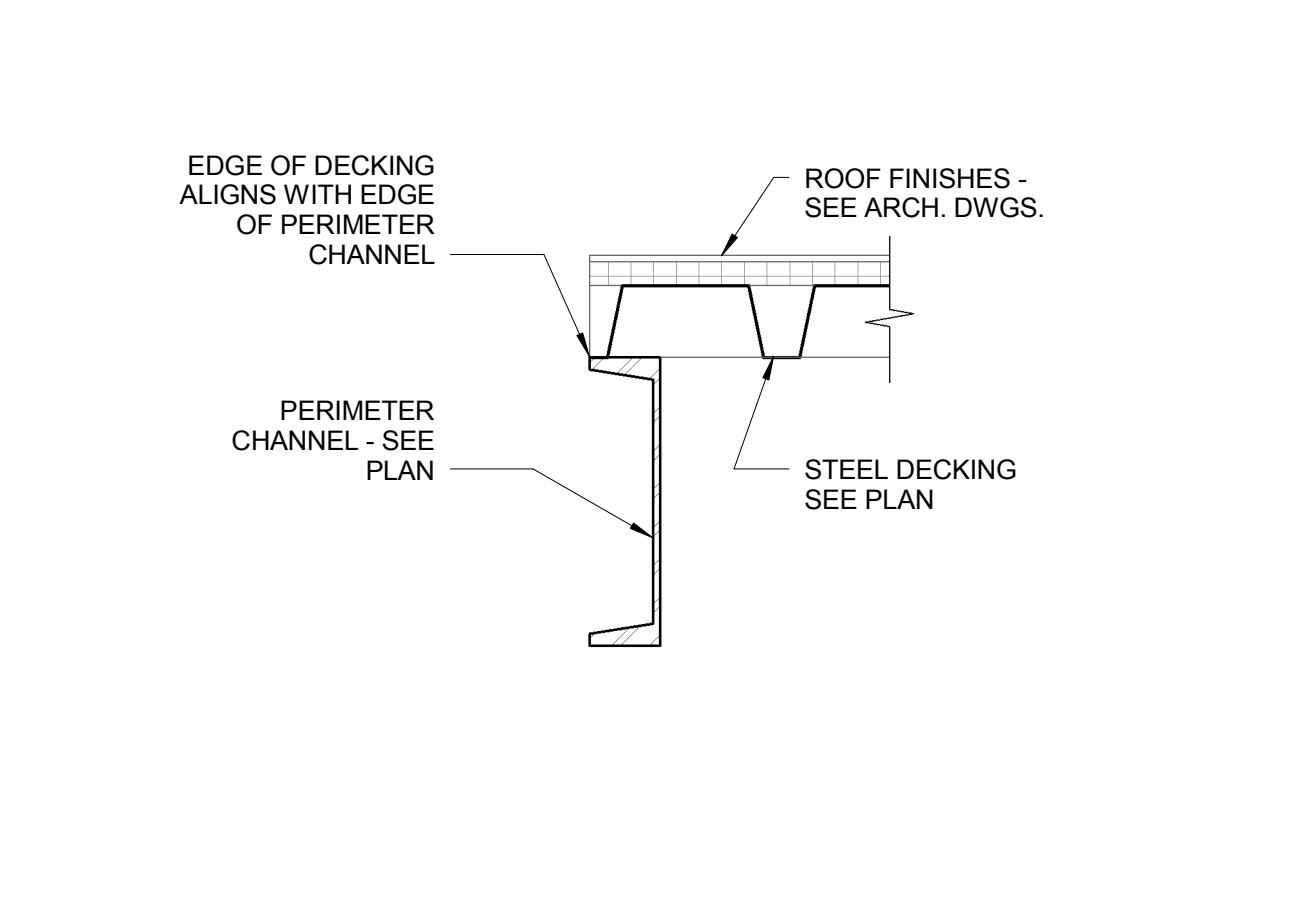
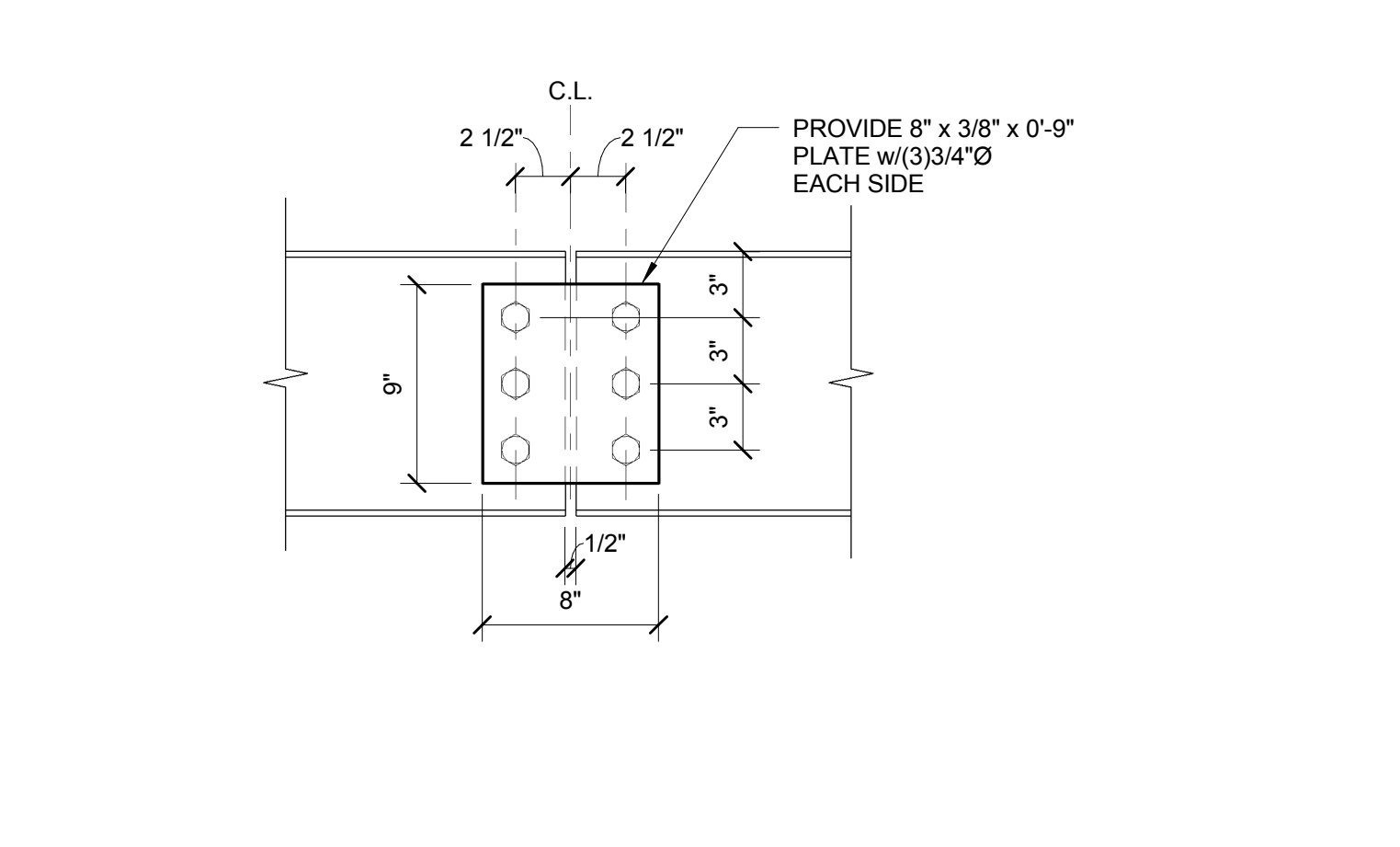
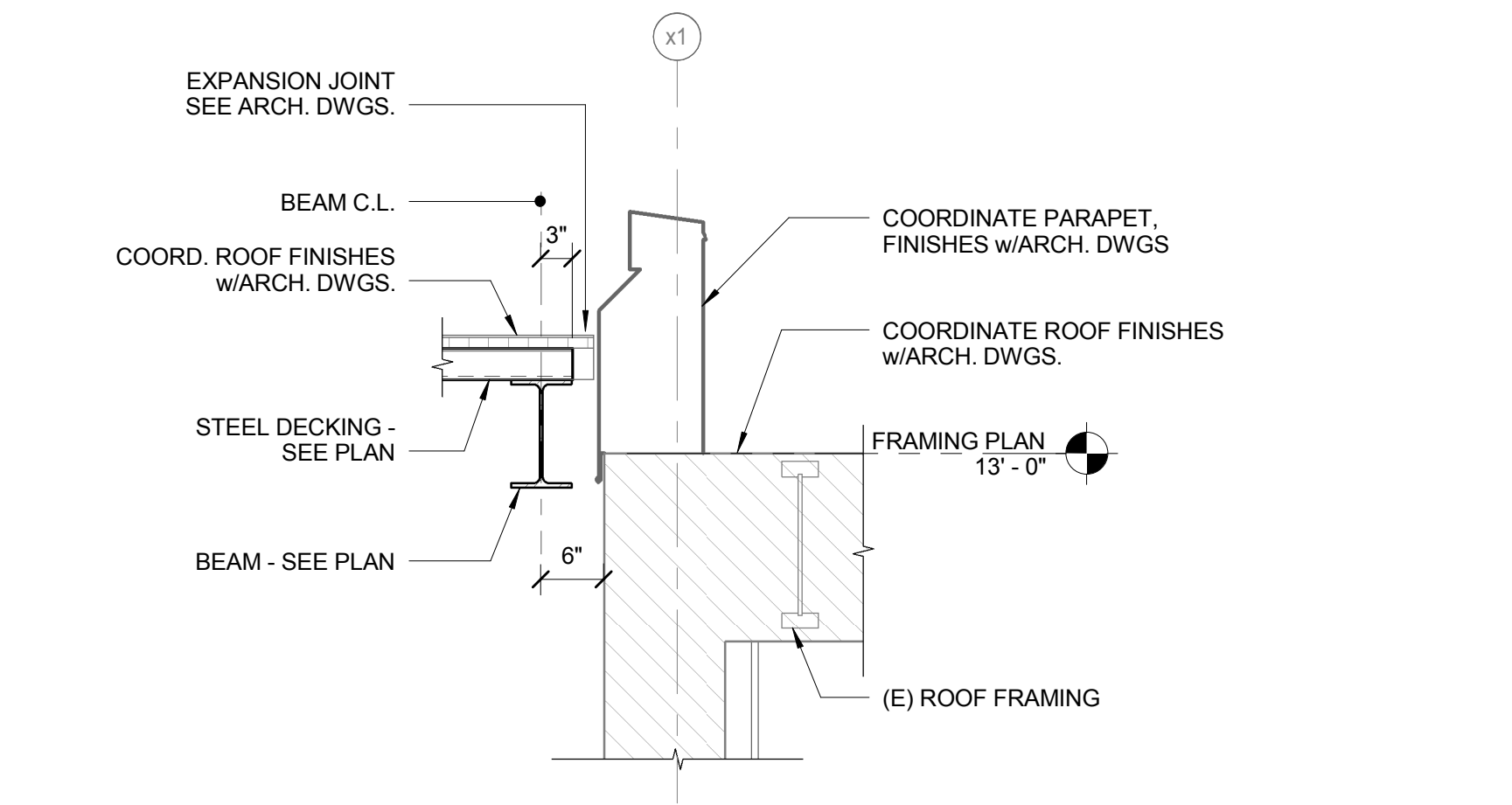


G1 TOP VIEW OF CAP PLATE AT CF/C5
 1 1/2" = 1'-0"

G4 DETAIL
 1 1/2" = 1'-0"

G7 DETAIL
 3/4" = 1'-0"

G9 DETAIL
 3/4" = 1'-0"

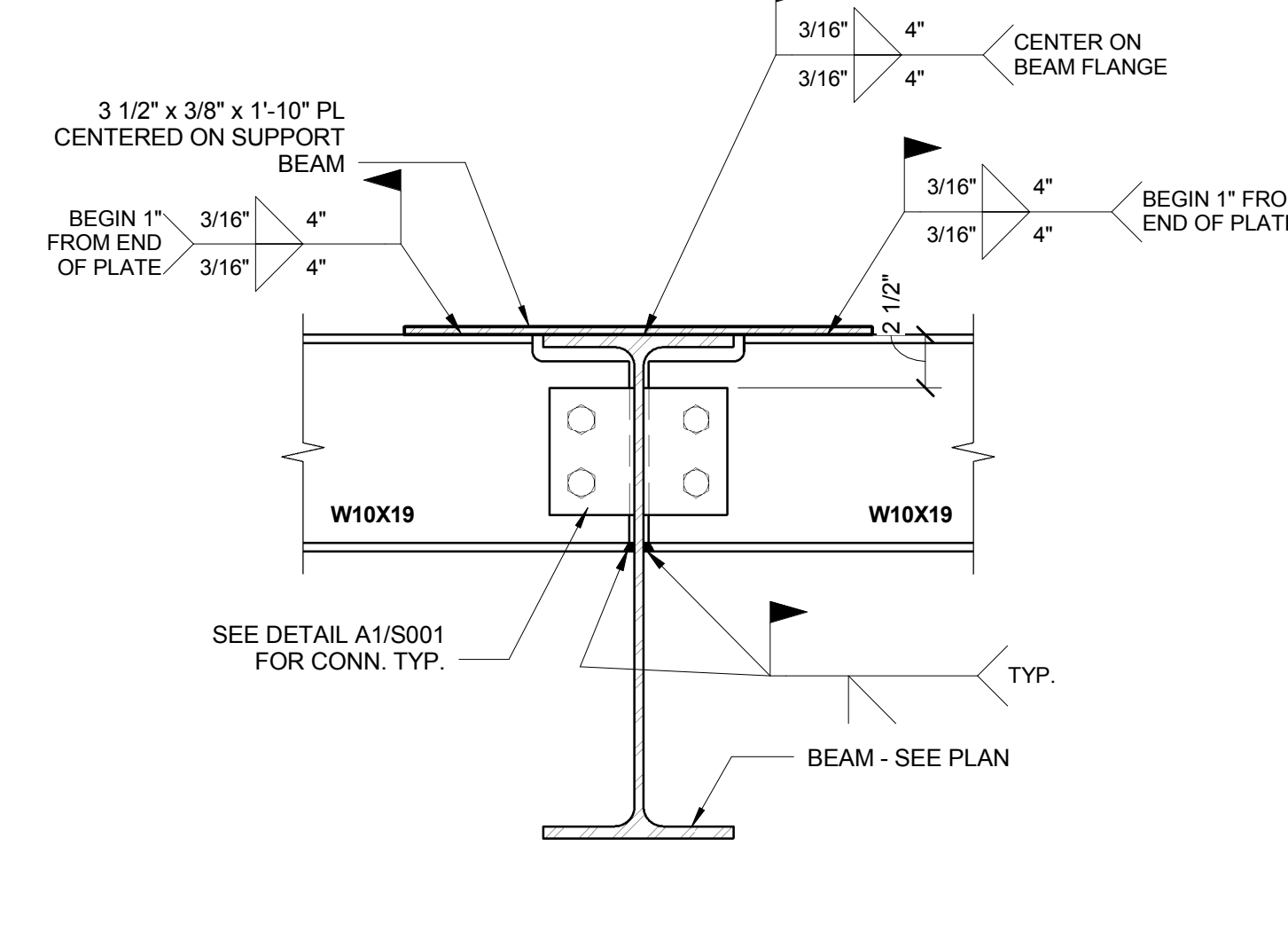
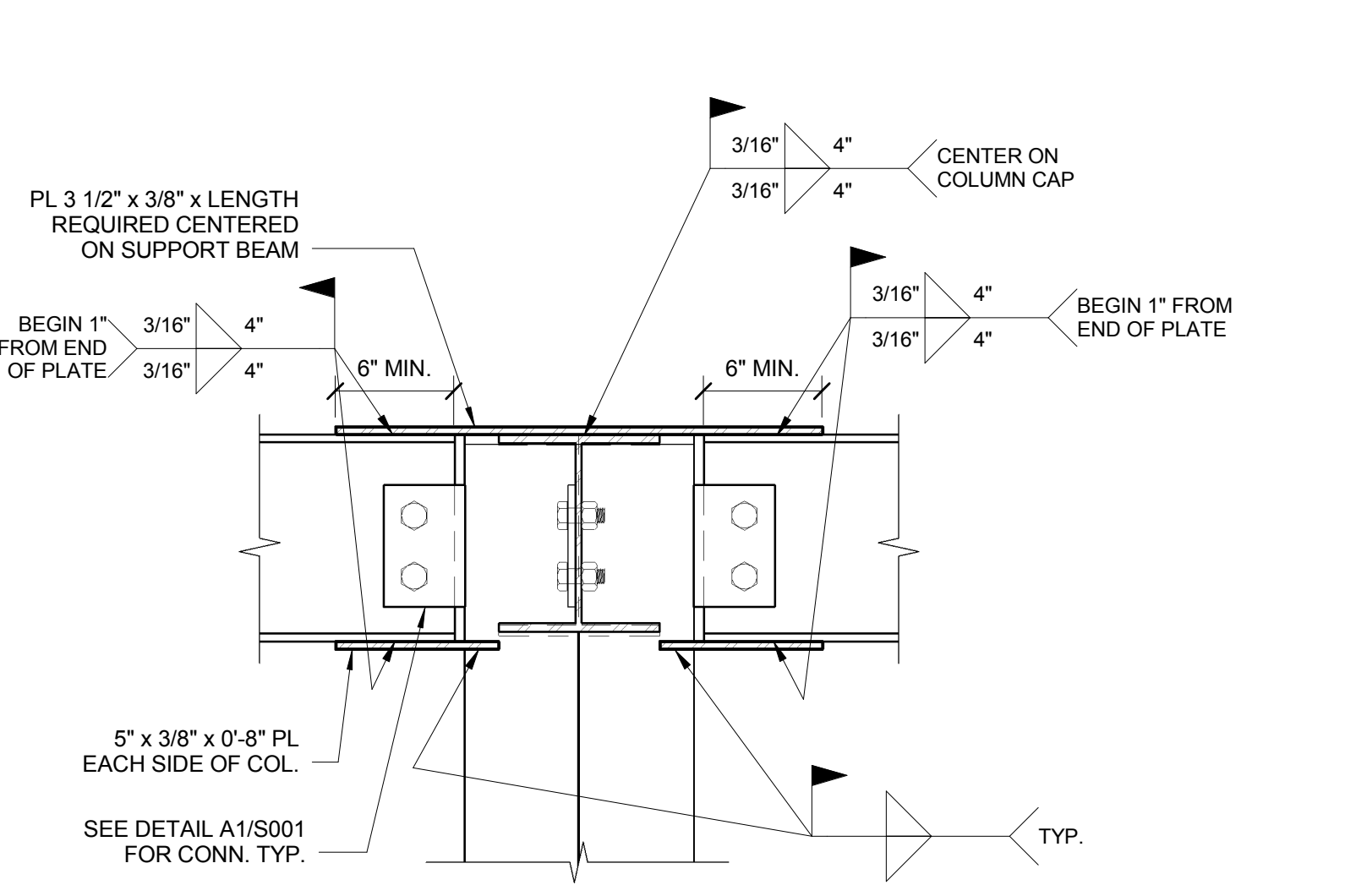


E1 DETAIL
 3/4" = 1'-0"

E4 TYPICAL SPLICE DETAIL
 1 1/2" = 1'-0"

E7 DETAIL
 1 1/2" = 1'-0"

E9 DETAIL
 3/4" = 1'-0"



A6 DETAIL AT COLUMN CG/C2
 1 1/2" = 1'-0"

A8 DETAIL
 1 1/2" = 1'-0"

4/30/2013 8:39:06 AM N:\Projects\2013\13008 - TruChoice Federal Credit Union - Park Ave\00 Drawing Files\13008S.rvt