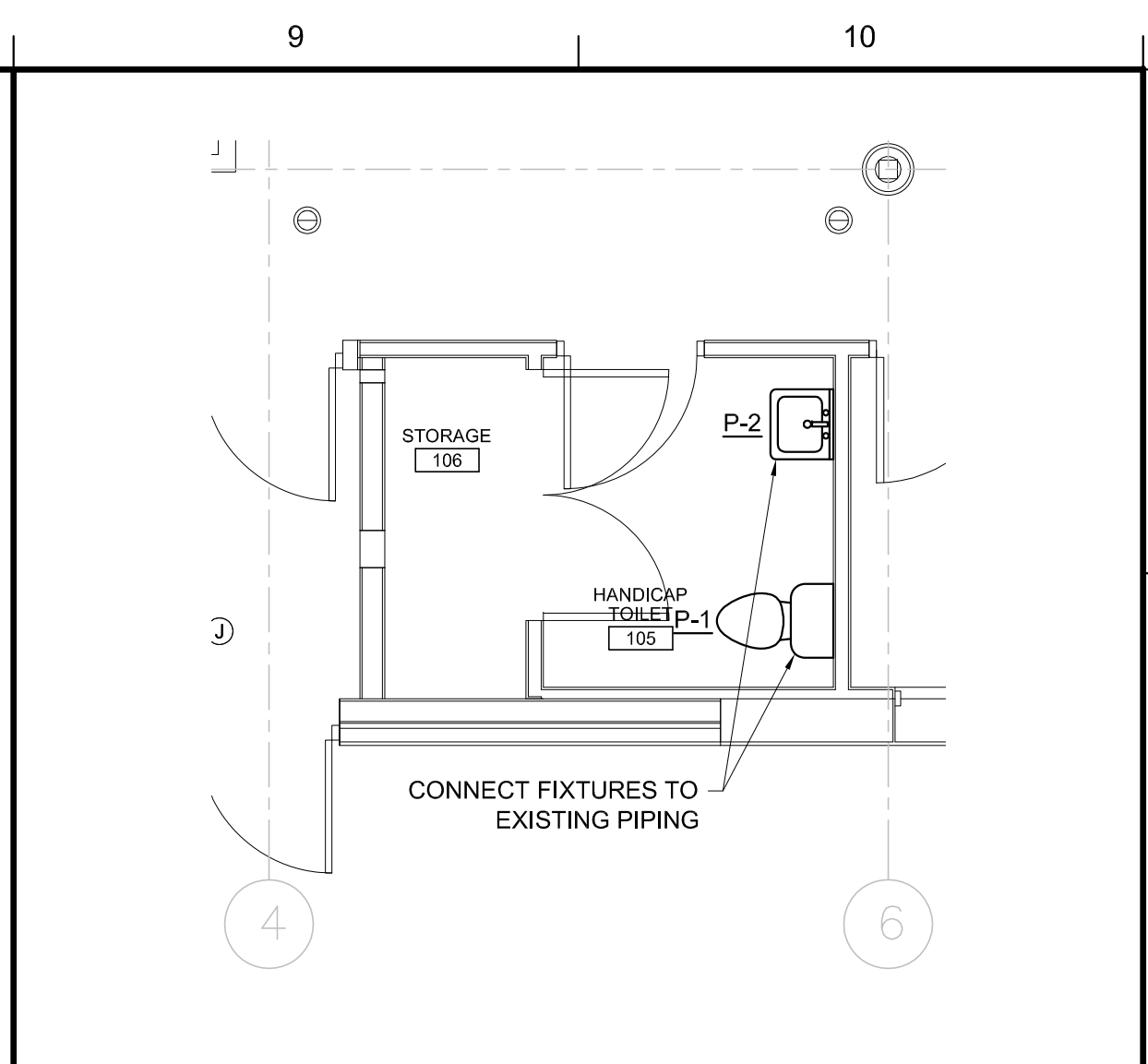


G9 PLUMBING PART PLAN ~ FIRST FLOOR
1/4" = 1'-0"



PDT ARCHITECTS
49 DARTMOUTH STREET
PORTLAND, MAINE 04101
207-775-1050
www.pdtarchs.com

Allied Engineering
Structural Mechanical Electrical Commissioning
160 Veranda Street
Portland, Maine 04103
T: 207.231.2366
F: 207.231.2366
Web: www.allied-eng.com

ALLIED PROJECT No.:
13008
CAD FILE:
13008M.DWG

COPYRIGHT
PDT Architects
Reuse or reproduction of the
contents of this document is not
permitted without written
permission of PDT Architects

TruChoice FCU - 272 Park Avenue
PORTLAND, MAINE



PDT JOB NO.
12084

DRWN.
CHK.

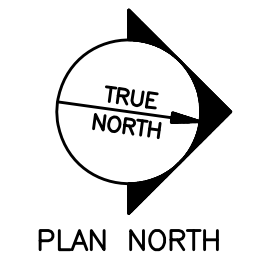
SCALE:
AS NOTED

ISSUE:
04/26/2013
CONSTRUCTION
DOCUMENTS

TITLE
MECHANICAL
PLAN -
FIRST FLOOR

SHEET

M101



A1 MECHANICAL PLAN ~ FIRST FLOOR
1/4" = 1'-0"