

5

4

3

2

1



49 DARTMOUTH STREET
PORTLAND, MAINE 04101
207-775-1059
www.pdtarch.com

COPYRIGHT
PDT Architects
Reuse or reproduction of the
contents of this document is not
permitted without written
permission of PDT Architects.

TruChoice FCU - 272 Park Avenue
272 Park Ave
Portland Maine 04041

JOB NO.
12042

DRWN. JRB
CHK. BMC

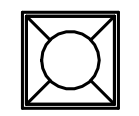




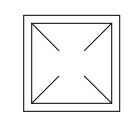
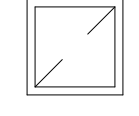
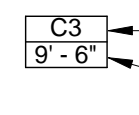

SCALE:
1/4" = 1'-0"

ISSUE
04/26/2013

TITLE
BASEMENT
REFLECTED
CEILING PLAN

SHEET
A102

GRAPHIC LEGEND

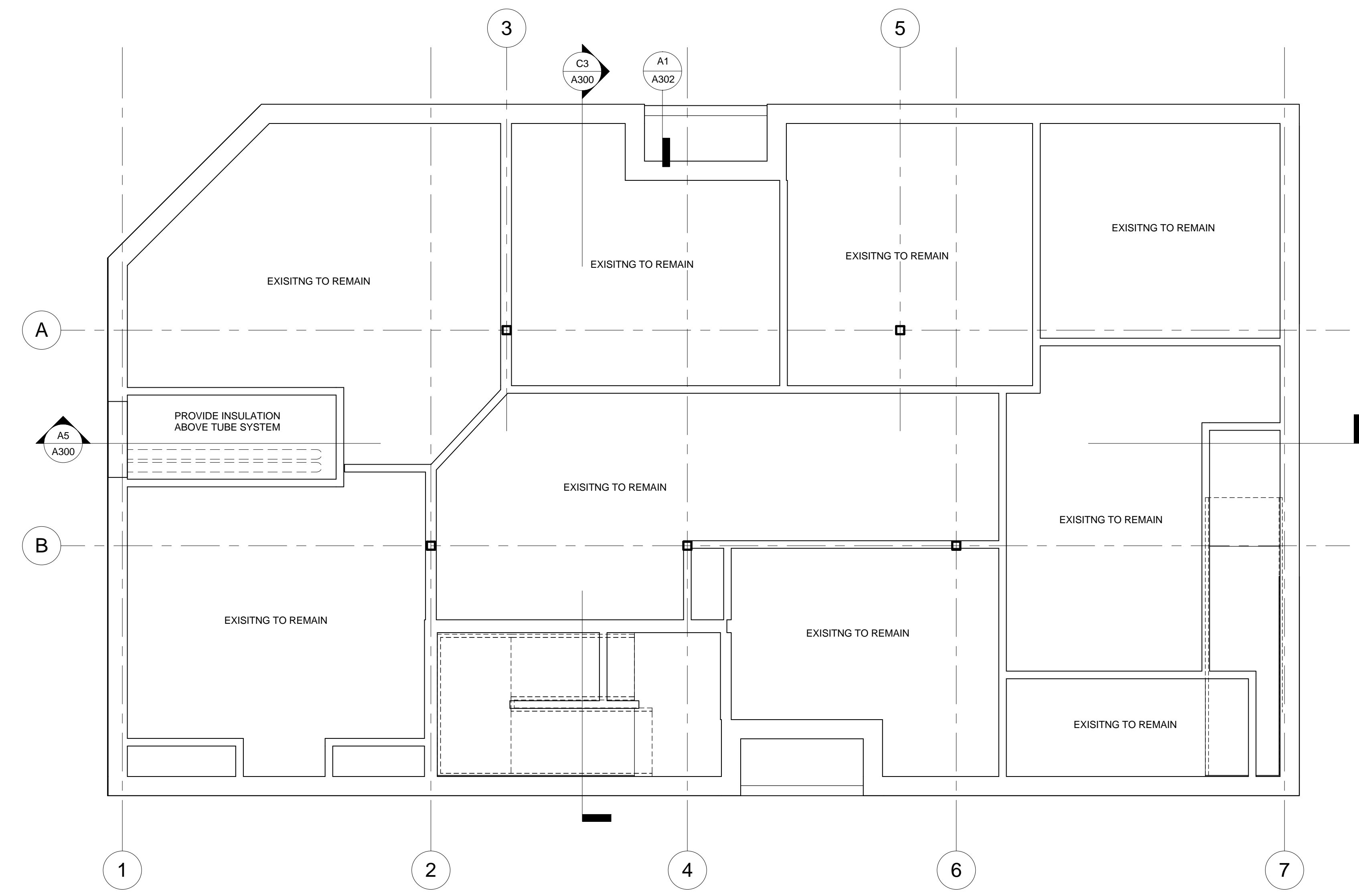
-  2 X 2 DIRECT/INDIRECT FIXTURE
-  RECESSED CAN DOWNLIGHT
-  RECESSED SQUARE DOWNLIGHT
-  SUN TUBE
-  GWB CEILING OR SOFFIT
-  2x2 DIFFUSER
-  2x2 RETURN
-  CEILING TYPE
9'-6" CEILING HEIGHT
-  SPOT ELEVATION

RCP NOTES:

1. THE CEILING PLANS ARE DIAGRAMATIC IN NATURE AND DO NOT SHOW EVERY FIXTURE. PLEASE REFER TO ELECTRICAL AND MECHANICAL DOCUMENTATION FOR FIXTURE TYPES AND LOCATIONS. ALL WALL PENETRATIONS AND DEVICES SHALL BE COORDINATED PRIOR TO INSTALLATION.
2. SEE MECH. DWGS. FOR RETURNS AND DIFFUSER LOCATIONS AND SIZES. SHOWN HERE ONLY FOR REFERENCE.
3. SEE ELECT. DWGS. FOR LIGHT TYPES AND ADDITIONAL DEVICES.
4. FOR GWB CEILINGS SPRINKLER HEADS TO BE CONCEALED RECESSED HEADS, COLOR MATCHED TO FIELD.
5. CENTER GRID LAYOUT IN ROOMS UNLESS OTHERWISE NOTED.
6. ALL COMPONENTS MOUNTED IN OR BELOW SUSPENDED CEILING SHALL BE CENTERED IN THE CEILING TILE U.N.O.
7. SEE FINISH LEGEND FOR FINISH TYPES

CEILING TYPES:

- C1 - 2' X 2' SUSPENDED ACOUSTIC CEILING
- C2 - 5/8" GWB ON WOOD STUD
- C3 - 2' X 2' SUSPENDED ACOUSTIC CEILING WITH HOLD DOWN CLIPS
- C4 - 5/8" EXTERIOR GWB ON STRUCTURE
- C5 - 2' X 6' SUSPENDED ACOUSTIC CEILING
- C6 - TRANSLUCENT POLYCARBONATE PANEL, 24" X 72"
- C7 - METAL PANEL SOFFIT SYSTEM



A3 BASEMENT FLOOR REFLECTED CEILING PLAN
1/4" = 1'-0"

